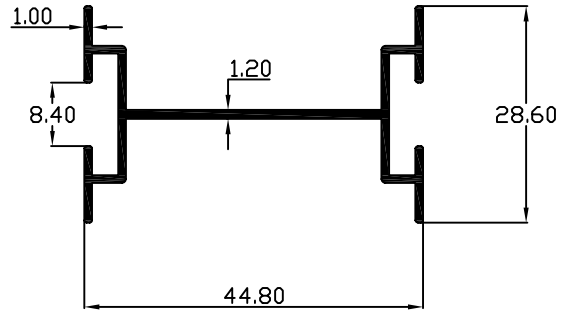
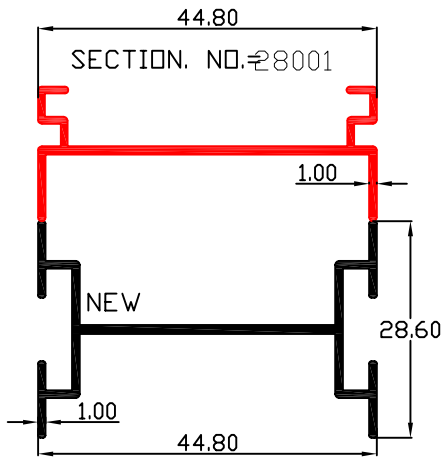
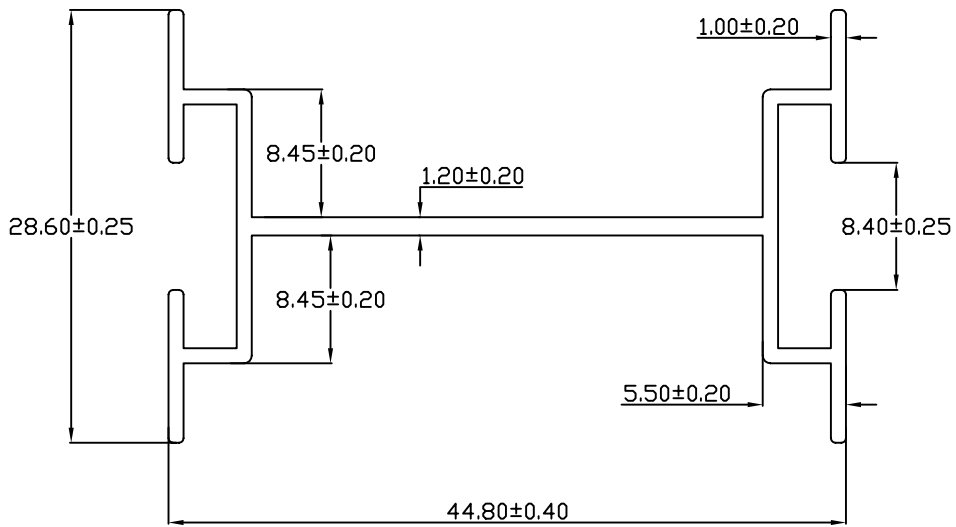
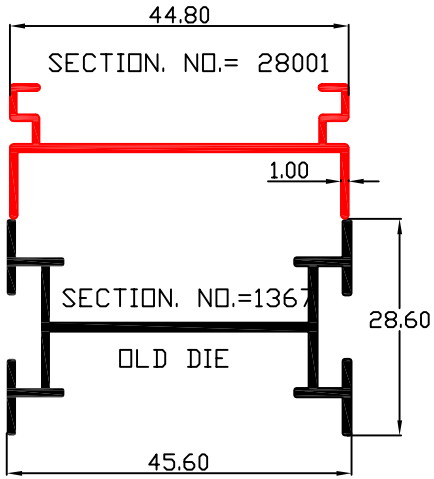


SECT NO - 1367



ACTUAL SIZE

Wt.Kg/Mtr 0.352



GENERAL TOLRENCE ±0.30MM
ALL DIMENSION ARE IN M.M.
UNSPECIFIED CORNER RADIUS:- 0.30M.M.

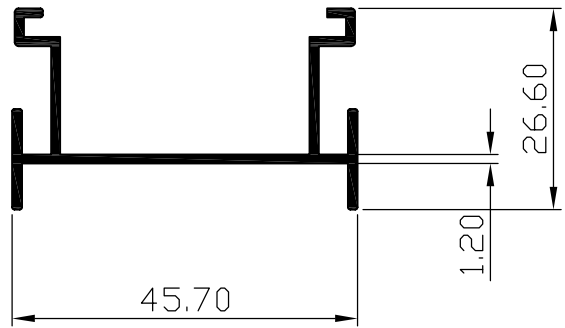
TOL, AS PER B.S.1474:1972
UNLEES SPECIFIED

TWIST =1/4"/300M.M.
STRAIGHTNEES =1.5 M.M./MTR
ANGULARITY =± 2°

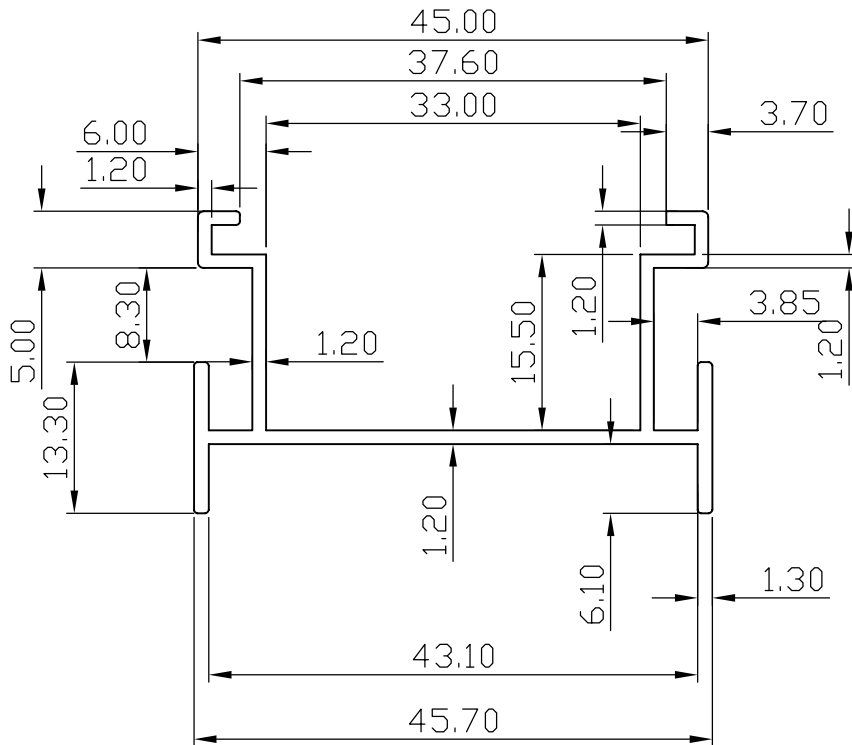
PARAGON EXTRUSIONS PVT LTD

PARTY SAMPLE/DRG.NO:BWG	PARTY'S NAME-
DRAWING BY-	END USE -
CHECKED BY-	AREA- 130.636m ²
APPROVED BY-	WT.Kgs/Mtr 0.352
SCALE USED- 1:1'2;1	WEIGHT RANGE -
CRITICAL DIM IF ANY-	PERIMETER -247.481
DATE- 10.7.2017	D/F —
REMARKS-ER-	DRG NO-

SECT NO- 1368



Wt.Kg/Mtr - 0.404

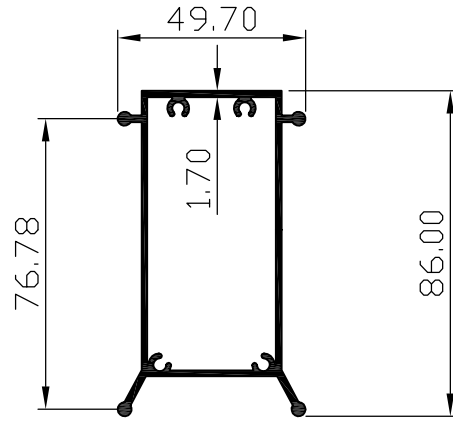
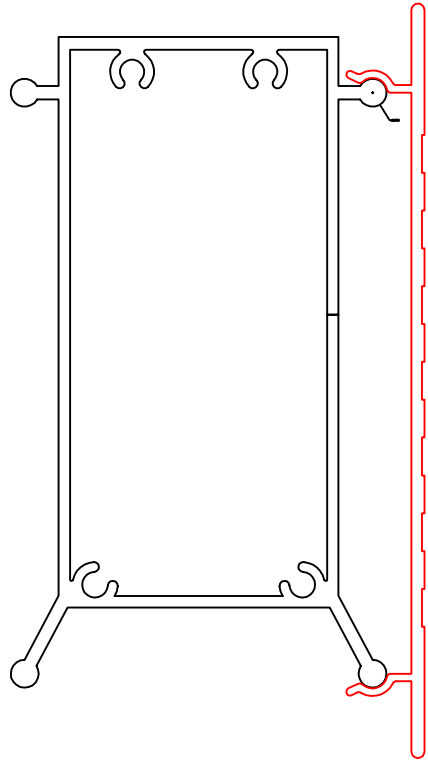


NOTES :- ALL DIM ARE IN mm

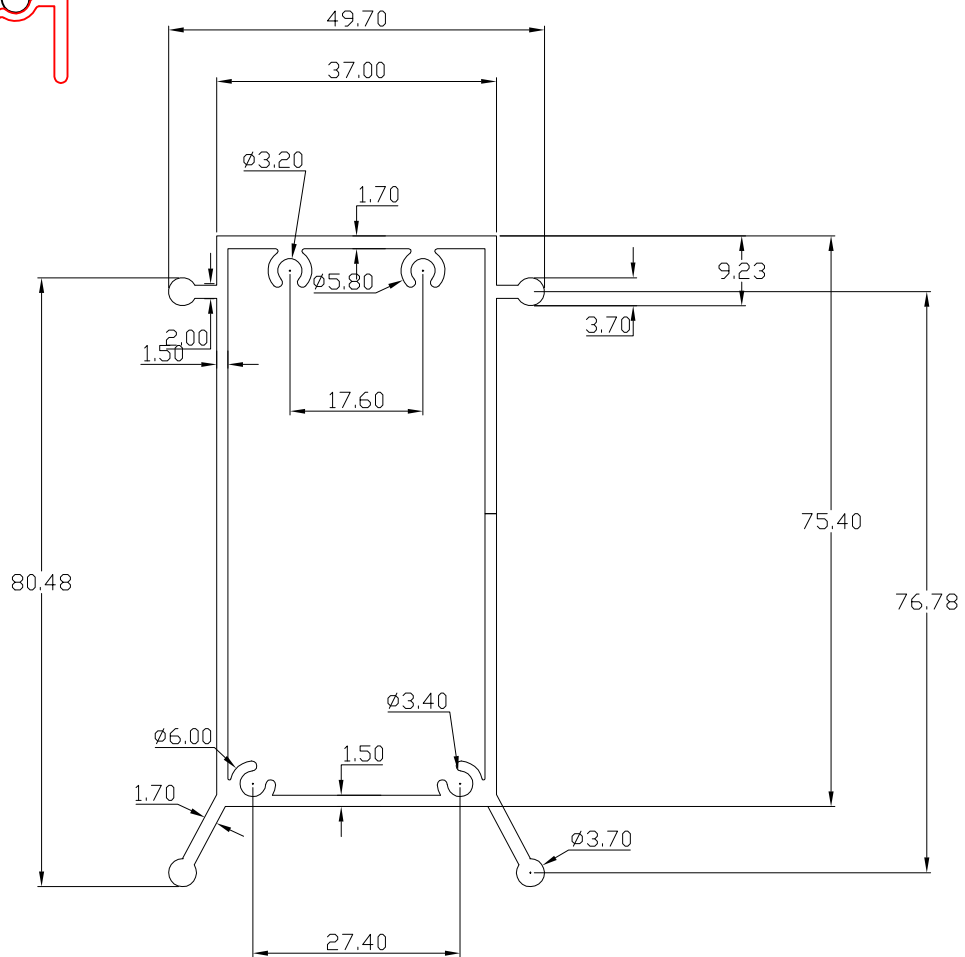
PARAGON EXTRUSIONS PVT LTD

PARTY SAMPLE/DRG.NO- SAMPLE	PARTY'S NAME-
DRAWN BY-	END USE-
CHECKED BY-	AREA- 149.732 mm ²
APPROVED BY-	ESTD WT- 0.404
SCALE USED- 1:1/1.5:1	WEIGHT RANGE-
CRITICAL DIM IF ANY-	PERIMETER - 246.454
DATE- 15.09.2007	D/F - 610.035
REMARKS-ER-	DRG NO- 70915911

SECT NO- 1472



Wt.Kg/Mtr - 1.351



ALL DIMENSION ARE IN M.M.
UNSPECIFIED CORNER RADIUS:- 0.30M.M.

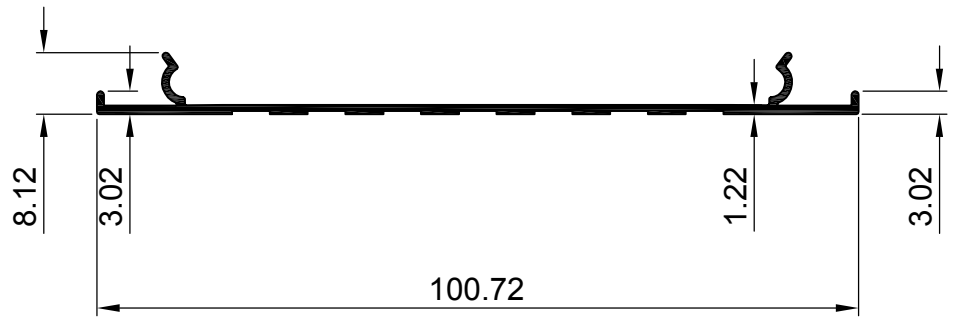
TOL, AS PER B.S.1474:1972
UNLEES SPECIFIED

STRAIGHTNEES = 1.5 M.M./MTR
ANGULARITY = ± 2°

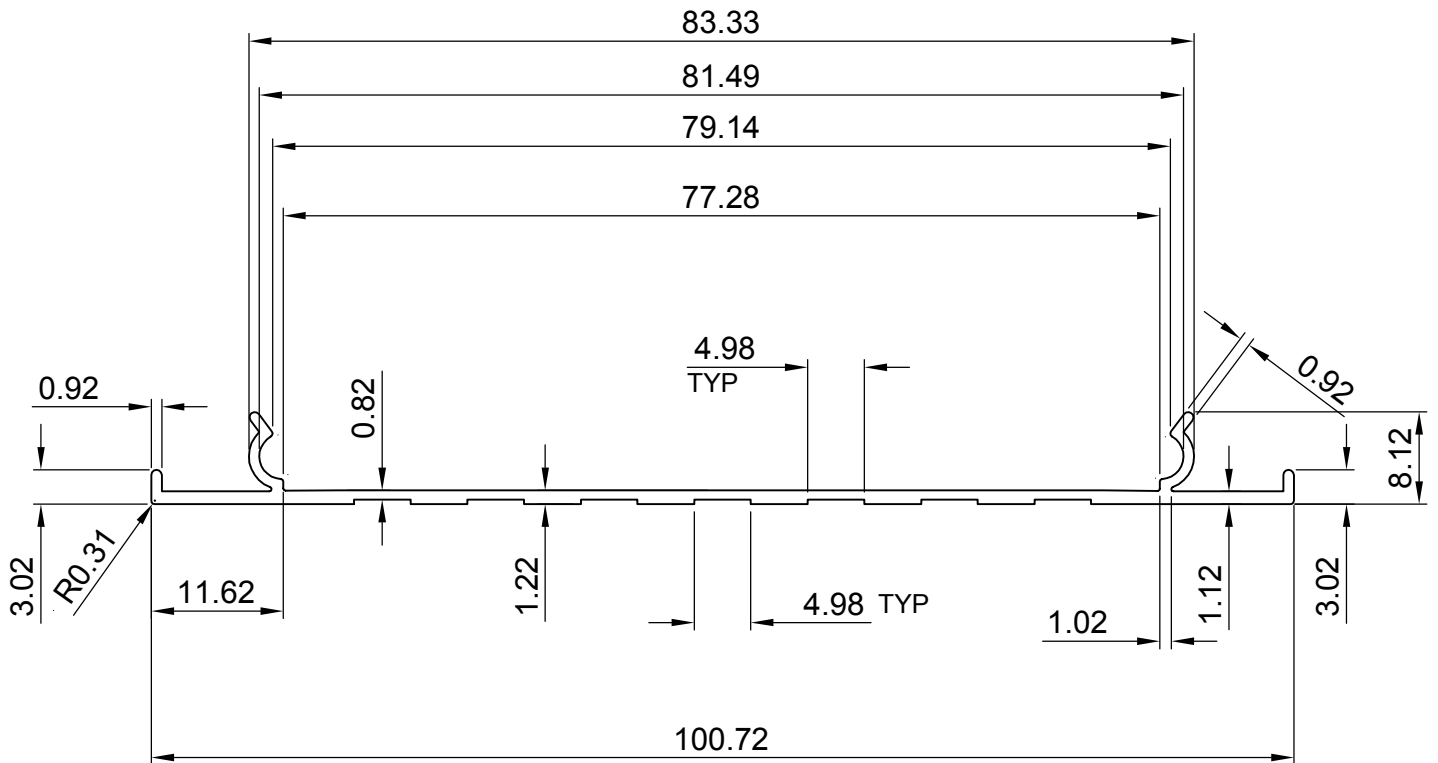
PARAGON EXTRUSIONS PVT LTD

PARTY SAMPLE/DRG.NO- DRG	PARTY'S NAME-
DRAWN BY-	END USE -
CHECKED BY-	AREA- 500.49 mm ²
APPROVED BY-	ESTD WT- 1.351
SCALE USED- 0.5:1/1:1	WEIGHT RANGE-
CRITICAL DIM IF ANY-	PERIMETER - 582.529
DATE- 18.8.2017	D/F - 431.183
REMARKS-ER-	DRG NO- 7010218

SECT NO- 1688-1



Wt.Kg/Mtr - 0.339

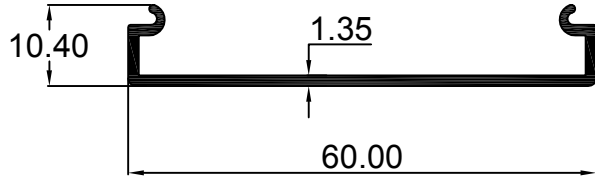


NOTES :- ALL DIM ARE IN mm

PARAGON EXTRUSIONS PVT LTD

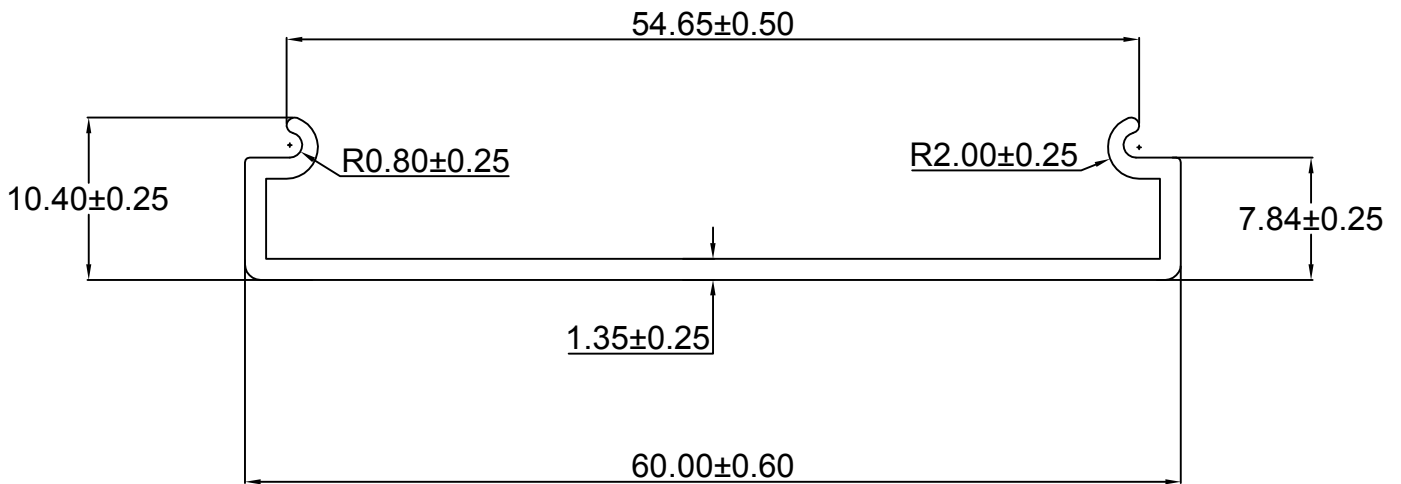
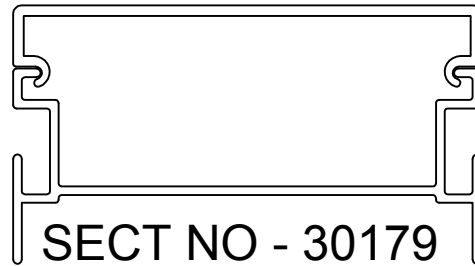
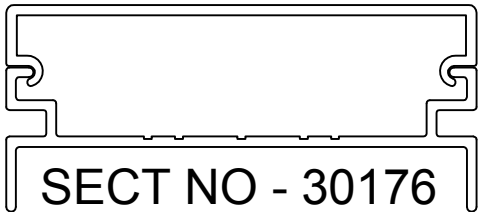
PARTY SAMPLE/DRG.NO-	PARTY'S NAME-
DRAWN BY-	END USE-
CHECKED BY-	AREA- 125.758 mm ²
APPROVED BY-	ESTD WT- 0.339
SCALE USED- 1:1/1.5:1	WEIGHT RANGE-
CRITICAL DIM IF ANY-	PERIMETER - 249.082
DATE- 12.12.2011	D/F — 734.755
REMARKS-ER-	DRG NO- 1112122049

SECT NO - 25020



ACTUAL SIZE

Wt.Kg/Mtr - 0.300



GENERAL TOLRENCE ±0.30MM
ALL DIMENSION ARE IN M.M.
UNSPECIFIED CORNER RADIUS:- 0.30M.M.

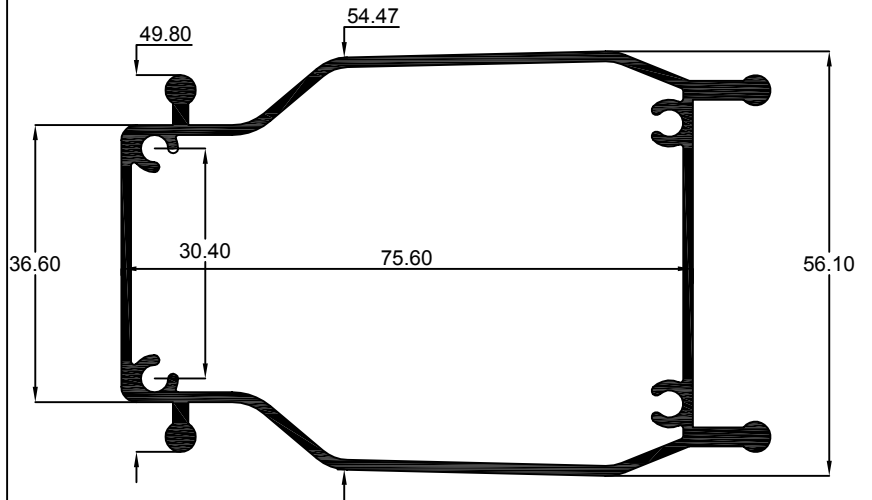
TOL, AS PER B.S.1474:1972
UNLEES SPECIFIED

TWIST =1/4'/300M.M.
STRAIGHTNEES =1.5 M.M./MTR
ANGULARITY =± 2°

PARAGON EXTRUSIONS PVT LTD

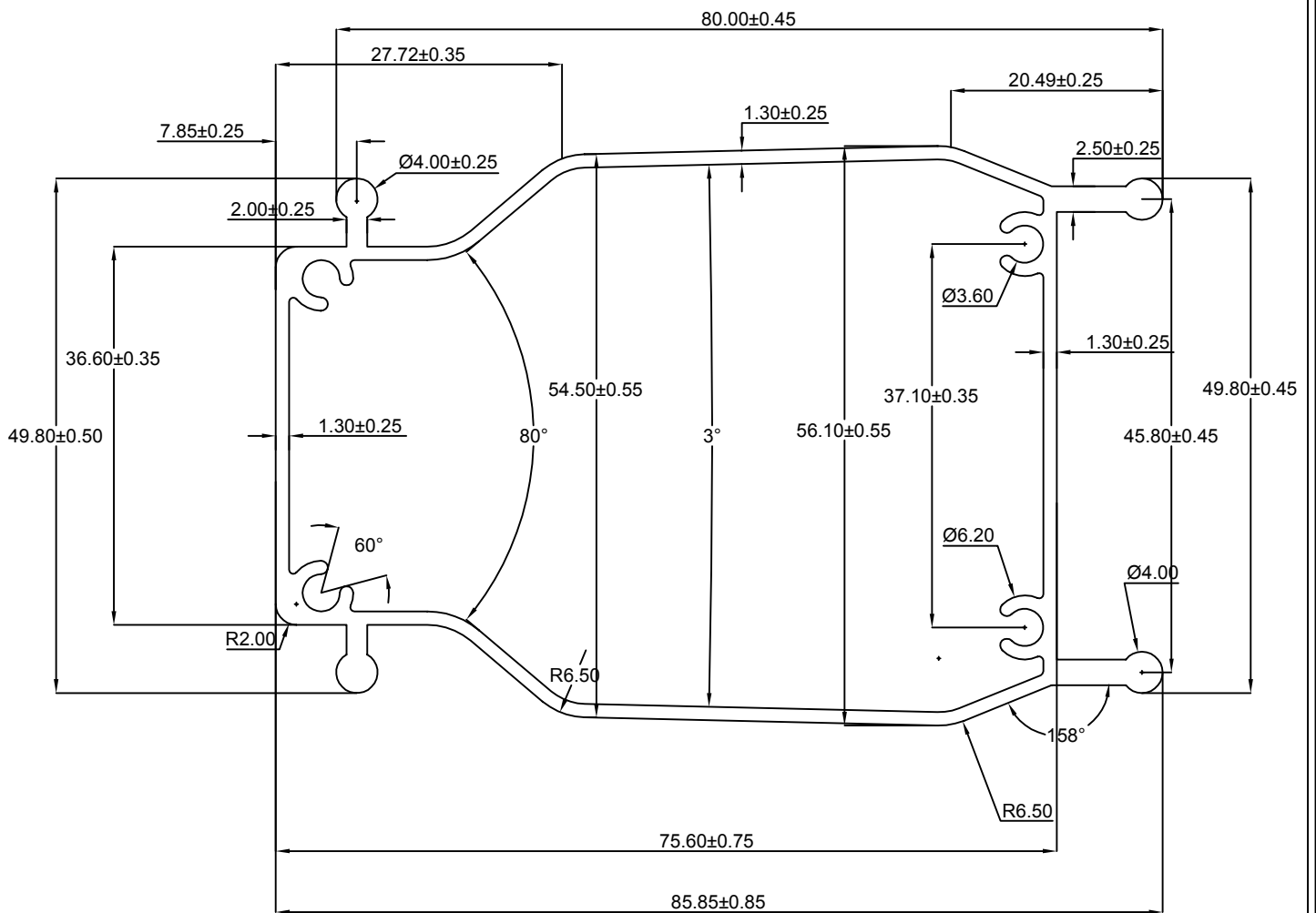
PARTY SAMPLE/DRG.NO- sample	PARTY'S NAME-
DRAWING BY- Azeem Raja	END USE -
CHECKED BY-	AREA- 111.280mm ²
APPROVED BY-	WT.Kgs/Mtr - 0.300
SCALE USED- 1:1,1:2	WEIGHT RANGE -
CRITICAL DIM IF ANY-	PERIMETER - 107.76
DATE- 29.06.2016	D/F — 589.09
REMARKS-ER-	DRG NO- 1606292748

SECT NO - 26068



Actual Size

Aprx.Wt.Kg/Mtr - 1.250



GENERAL TOLRENCE ±0.30MM
ALL DIMENSION ARE IN M.M.
UNSPECIFIED CORNER RADIUS:- 0.30M.M.

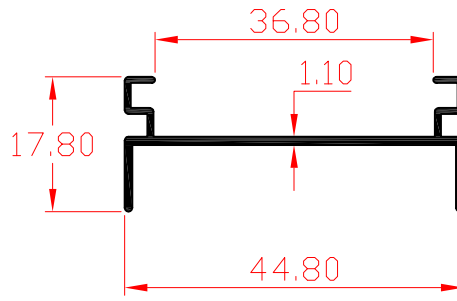
TOL, AS PER B.S.1474:1972
UNLEES SPECIFIED

TWIST =1/4'/300M.M.
STRAIGHTNEES =1.5 M.M./MTR
ANGULARITY =± 2°

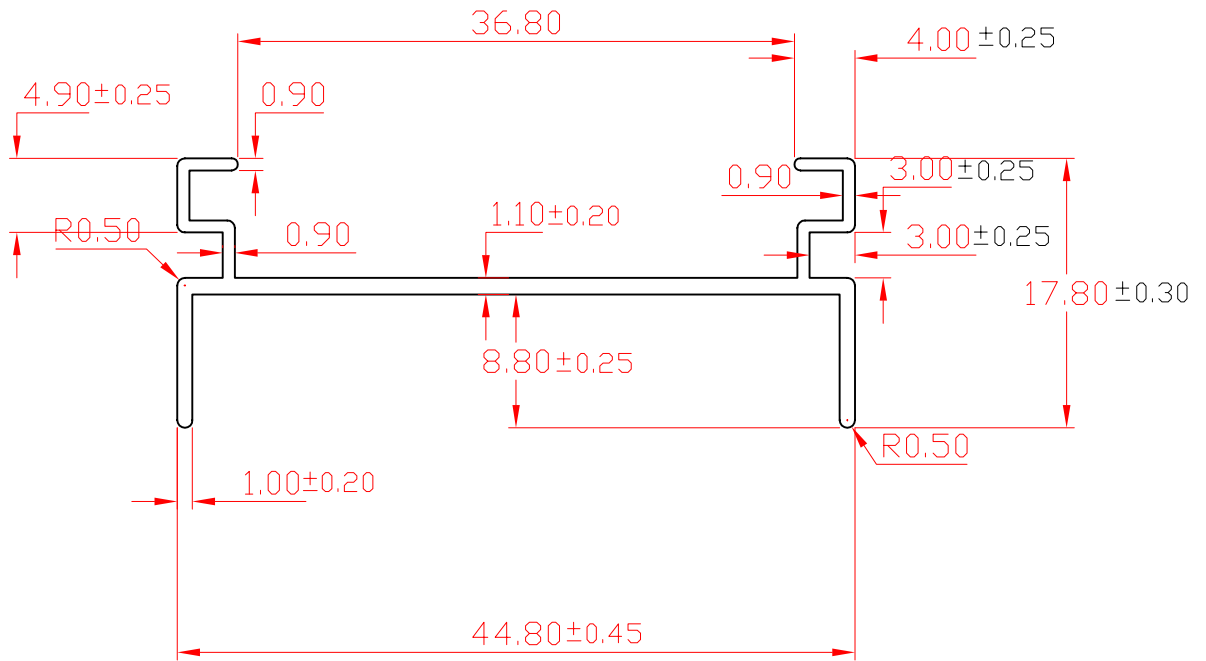
PARAGON EXTRUSIONS PVT LTD

PARTY SAMPLE/DRG.NO- DWG	PARTY'S NAME-
DRAWING BY-	END USE -
CHECKED BY-	AREA- 452.622mm ²
APPROVED BY-	WT.Kgs/Mtr - 1.222
SCALE USED- 1:1,1:1.5	WEIGHT RANGE -
CRITICAL DIM IF ANY-	PERIMETER - 595.23
DATE- 24.02.2018	D/F — 487.094
REMARKS-ER-	DRG NO- 1802242883

SECT NO- 28001



Wt.Kg/Mtr - 0.246

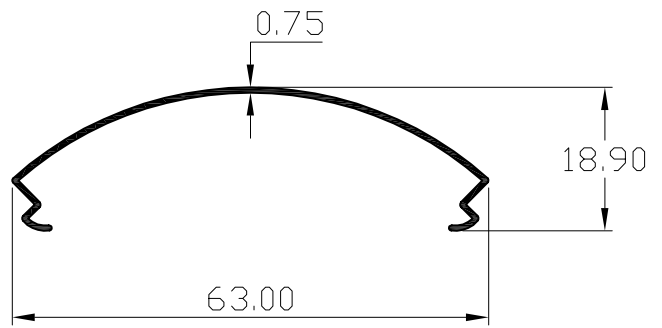


NOTES :- ALL DIM ARE IN mm

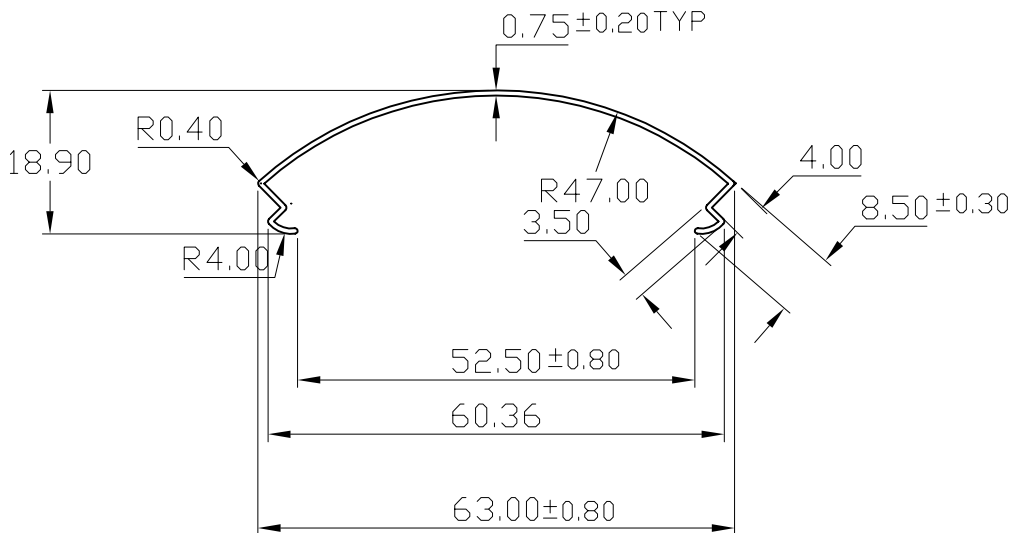
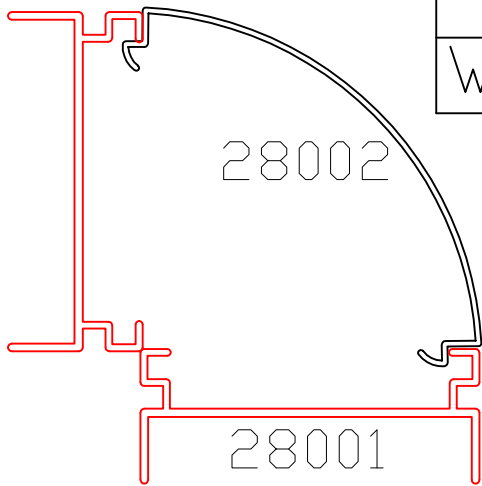
PARAGON EXTRUSIONS PVT LTD

PARTY SAMPLE/DRG.NO- SAMPLE	PARTY'S NAME-
DRAWN BY-	END USE -
CHECKED BY-	AREA- 91.262 mm ²
APPROVED BY-	ESTD WT- 0.246
SCALE USED- 2:1/1:1	WEIGHT RANGE-
CRITICAL DIM IF ANY-	PERIMETER - 179.652
DATE- 06.03.2008	D/F - 730.292
REMARKS-ER-	DRG NO- 803061009

SECT NO- 28002



Wt.Kg/Mtr - 0.181

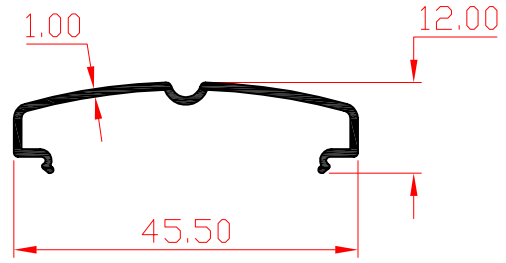


NOTES :- ALL DIM ARE IN mm

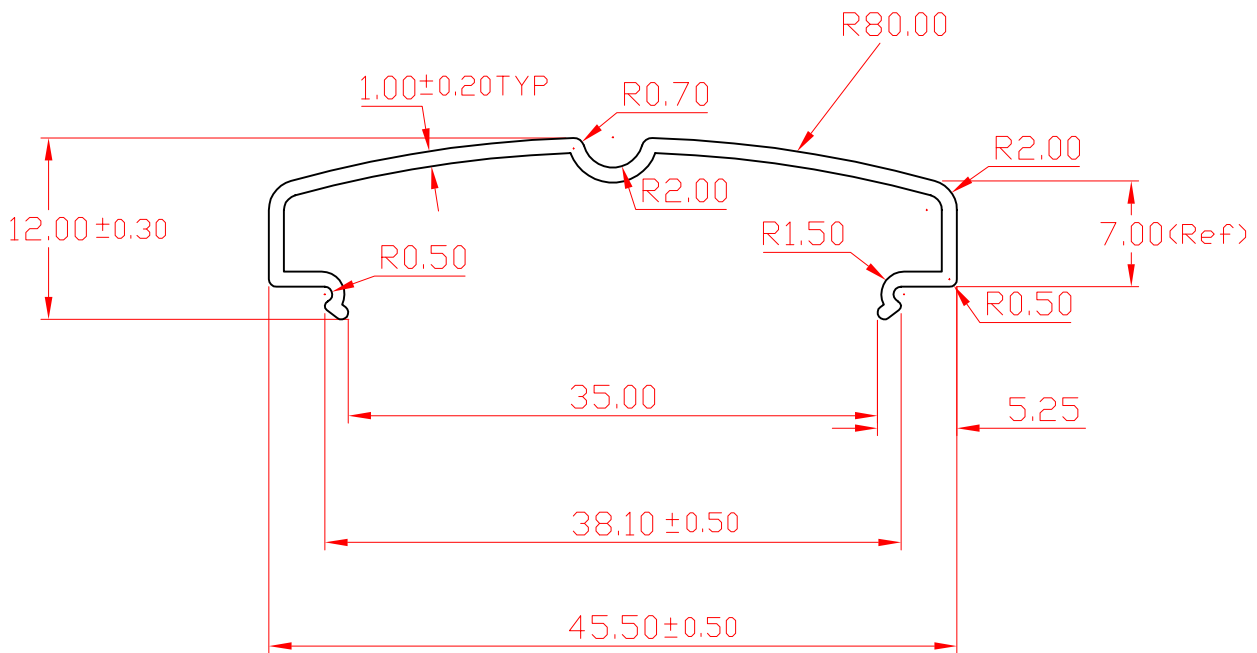
PARAGON EXTRUSIONS PVT LTD

PARTY SAMPLE/DRG.NO- SAMPLE	PARTY'S NAME- MAYUR ANAND METALS
DRAWN BY-	END USE -
CHECKED BY-	AREA- 67.331mm ²
APPROVED BY-	ESTD WT- 0.181
SCALE USED- 1:1	WEIGHT RANGE-
CRITICAL DIM IF ANY-	PERIMETER - 180.261
DATE- 06.03.2008	D/F - 995.917
REMARKS-ER-	DRG NO- 803061008

SECT NO- 28003



Wt.Kg/Mtr - 0.188

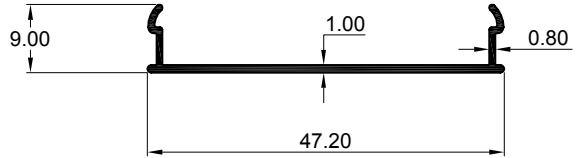


NOTES :- ALL DIM ARE IN mm

PARAGON EXTRUSIONS PVT LTD

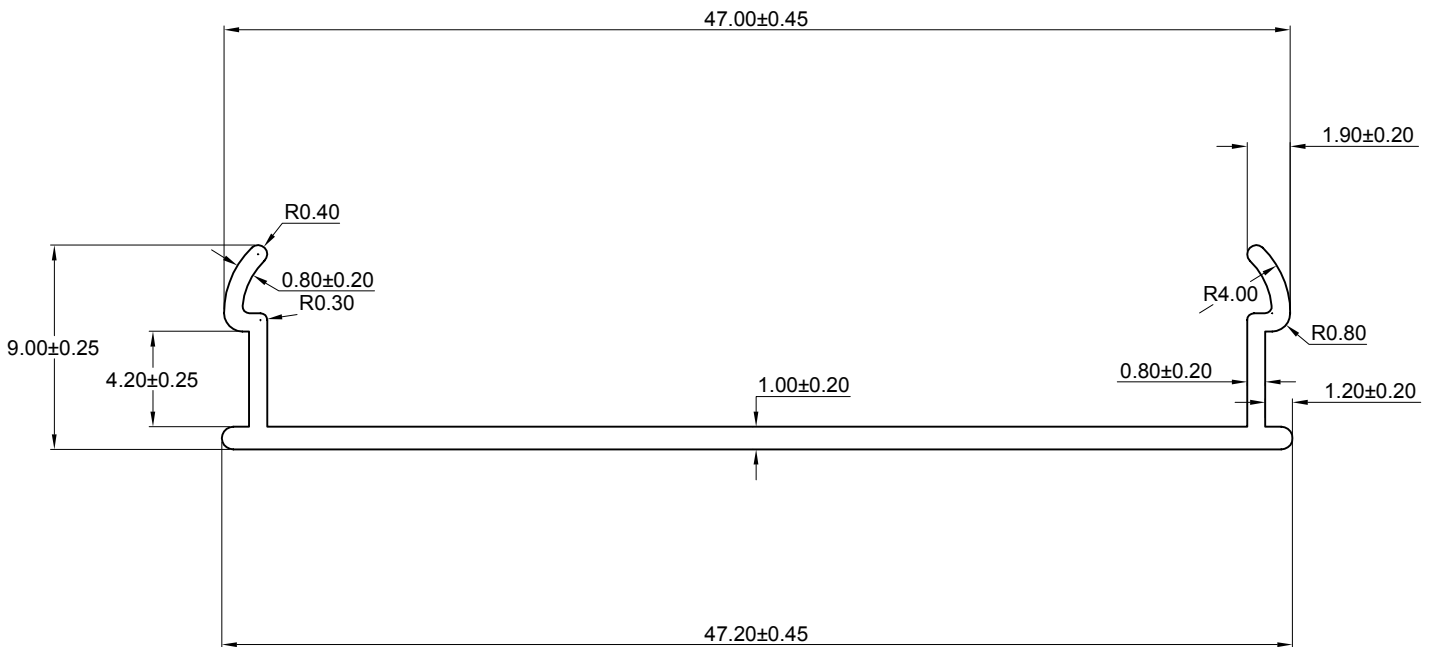
PARTY SAMPLE/DRG.NO- SAMPLE	PARTY'S NAME- RASHI JI
DRAWN BY-	END USE -
CHECKED BY-	AREA- 69.859mm ²
APPROVED BY-	ESTD WT- 0.188
SCALE USED- 2:1/1:1	WEIGHT RANGE-
CRITICAL DIM IF ANY-	PERIMETER - 142.546
DATE- 06.03.2008	D/F - 758.223
REMARKS-ER-	DRG NO- 803061010

SECT NO - 28004



ACTUAL SIZE

Wt.Kg/Mtr - 0.166



ALL DIMENSION ARE IN M.M.
UNSPECIFIED CORNER RADIUS:- 0.30M.M.

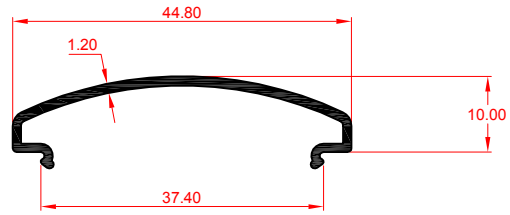
TOL, AS PER B.S.1474:1972
UNLEES SPECIFIED

TWIST =1/4'/300M.M.
STRAIGHTNEES =1.5 M.M./MTR
ANGULARITY =± 1.5°

PARAGON EXTRUSIONS PVT LTD

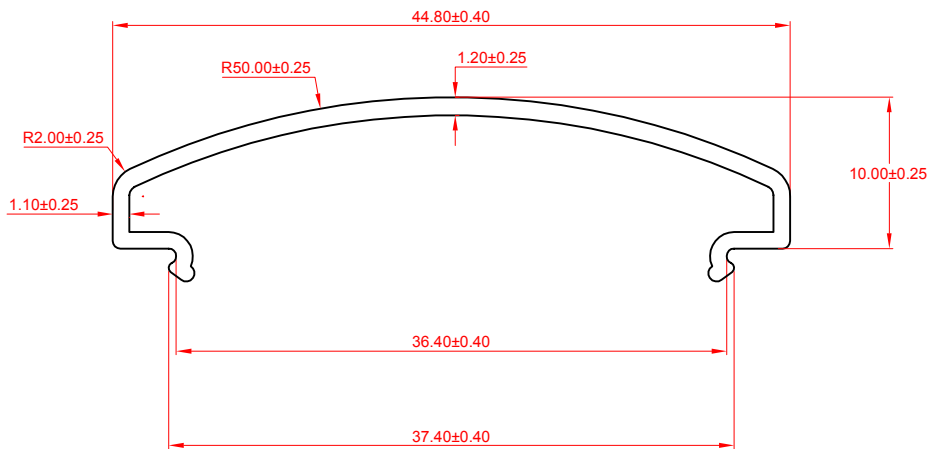
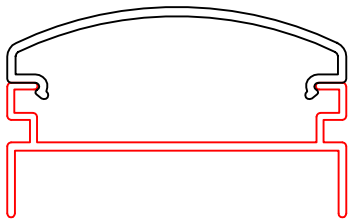
PARTY SAMPLE/DRG.NO- SAMPLE	PARTY'S NAME- M/s RISHI ANAND JI
DRAWN BY- AZHAR SAIFI	END USE -
CHECKED BY-	AREA- 61.721 mm ²
APPROVED BY-	WT.Kgs/Mtr - 0.166
SCALE USED- 1:1,1:3	WEIGHT RANGE-
CRITICAL DIM IF ANY-	PERIMETER - 131.426
DATE- 18/08/2010	D/F — 788.654
REMARKS-ER-	DRG NO- 1008181776

SECT NO - 28005



ACTUAL SIZE

Wt.Kg/Mtr - 0.207



ALL DIMENSION ARE IN M.M.
UNSPECIFIED CORNER RADIUS:- 0.30M.M.

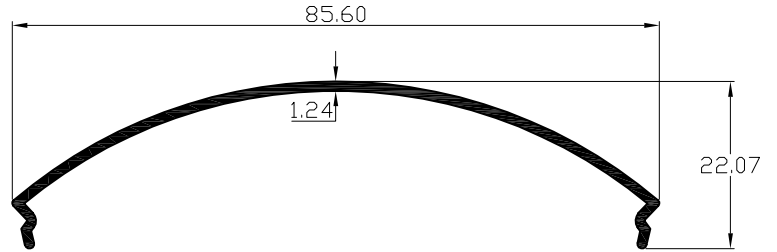
TOL, AS PER B.S.1474:1972
UNLEES SPECIFIED

TWIST =1/4'/300M.M.
STRAIGHTNEES =1.5 M.M./MTR
ANGULARITY =± 2°

PARAGON EXTRUSIONS PVT LTD

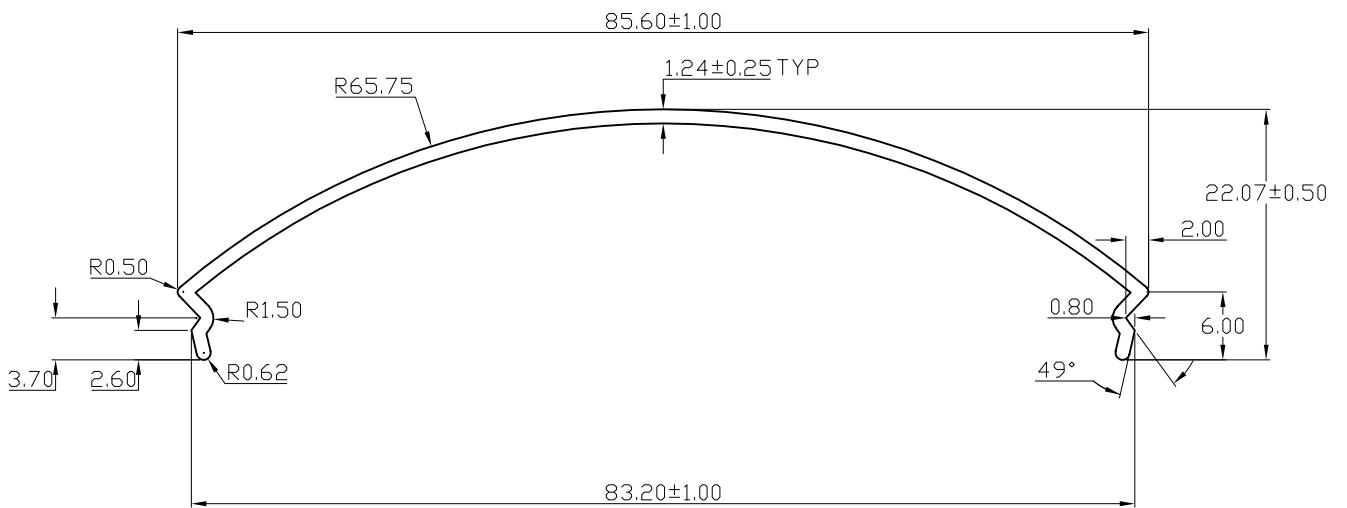
PARTY SAMPLE/DRG.NO- dwg	PARTY'S NAME-
DRAWING BY- AZHAR SAIFI	END USE -
CHECKED BY-	AREA- 76.726mm ²
APPROVED BY-	WT.Kgs/Mtr - 0.207
SCALE USED- 1:1,1:2	WEIGHT RANGE -
CRITICAL DIM IF ANY-	PERIMETER - 132.857
DATE- 11.01.2014	D/F — 641.821
REMARKS-ER-	DRG NO- 1401112425

SECT NO - 30173



ACTUAL SIZE

Wt.Kg/Mtr- 0.352



ALL DIMENSION ARE IN M.M.
UNSPECIFIED CORNER RADIUS:- 0.30M.M.

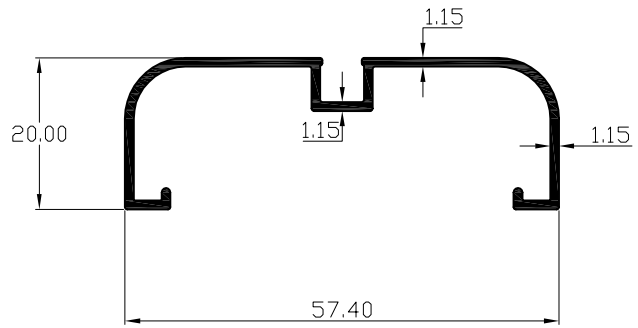
TOL, AS PER B.S.1474:1972
UNLEES SPECIFIED

STRAIGHTNEES = 1.5 M.M./MTR
ANGULARITY = ± 2°

PARAGON EXTRUSIONS PVT LTD

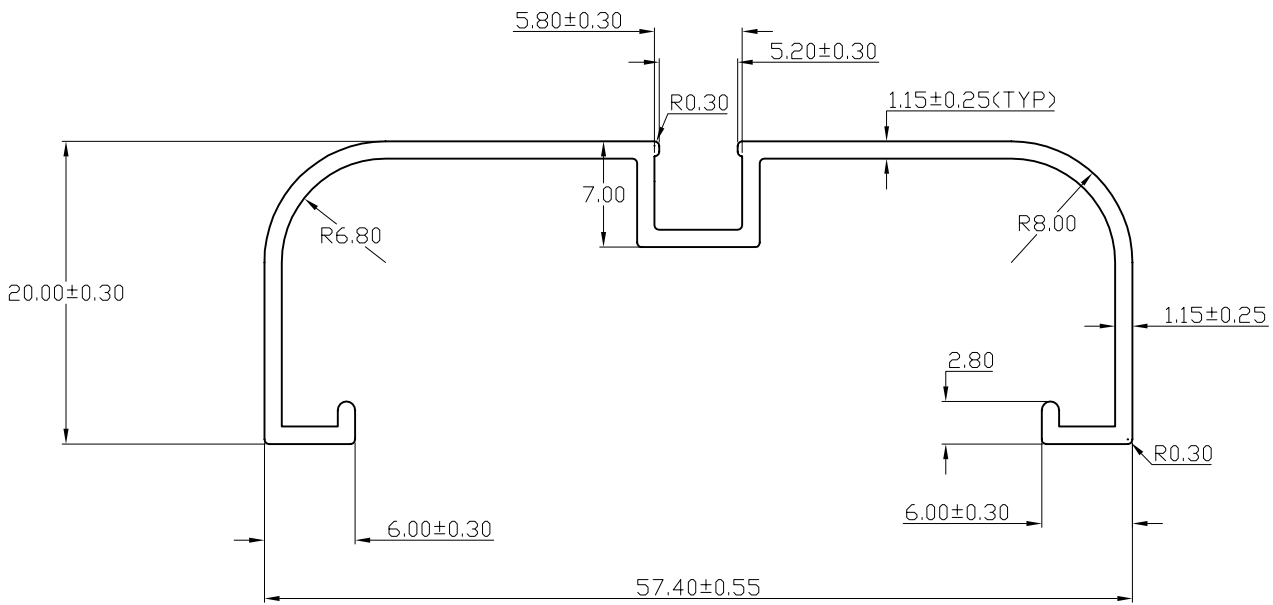
PARTY SAMPLE/DWG.NO- SAMPLE & DRW (LG-6083)	PARTY'S NAME- Rishi Ji
DRAWN BY- AZHAR SAIFI	END USE -
CHECKED BY-	AREA- 130.377mm ²
APPROVED BY-	WT.Kgs/Mtr - 0.352
SCALE USED- 1:1;1:1.5	WEIGHT RANGE-
CRITICAL DIM IF ANY-	PERIMETER - 212.111
DATE- 18/12/2009	D/F - 602.588
REMARKS-ER-	DRG NO- 912181529

SECT NO - 30174



ACTUAL SIZE

Wt.Kg/Mtr- 0.352



ALL DIMENSION ARE IN M.M.
UNSPECIFIED CORNER RADIUS:- 0.30M.M.

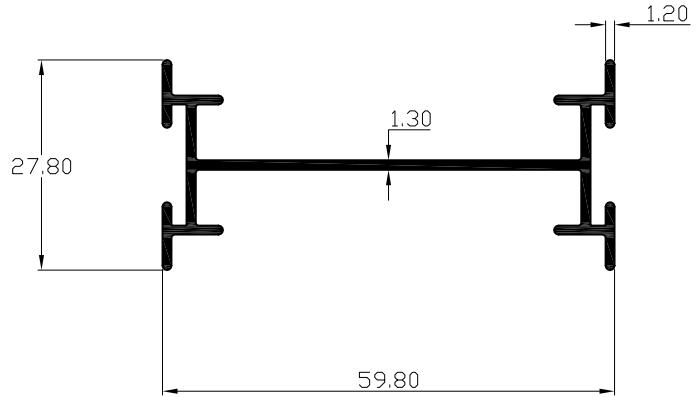
TOL, AS PER B.S.1474:1972
UNLEES SPECIFIED

STRAIGHTNEES = 1.5 M.M./MTR
ANGULARITY = $\pm 2^\circ$

PARAGON EXTRUSIONS PVT LTD

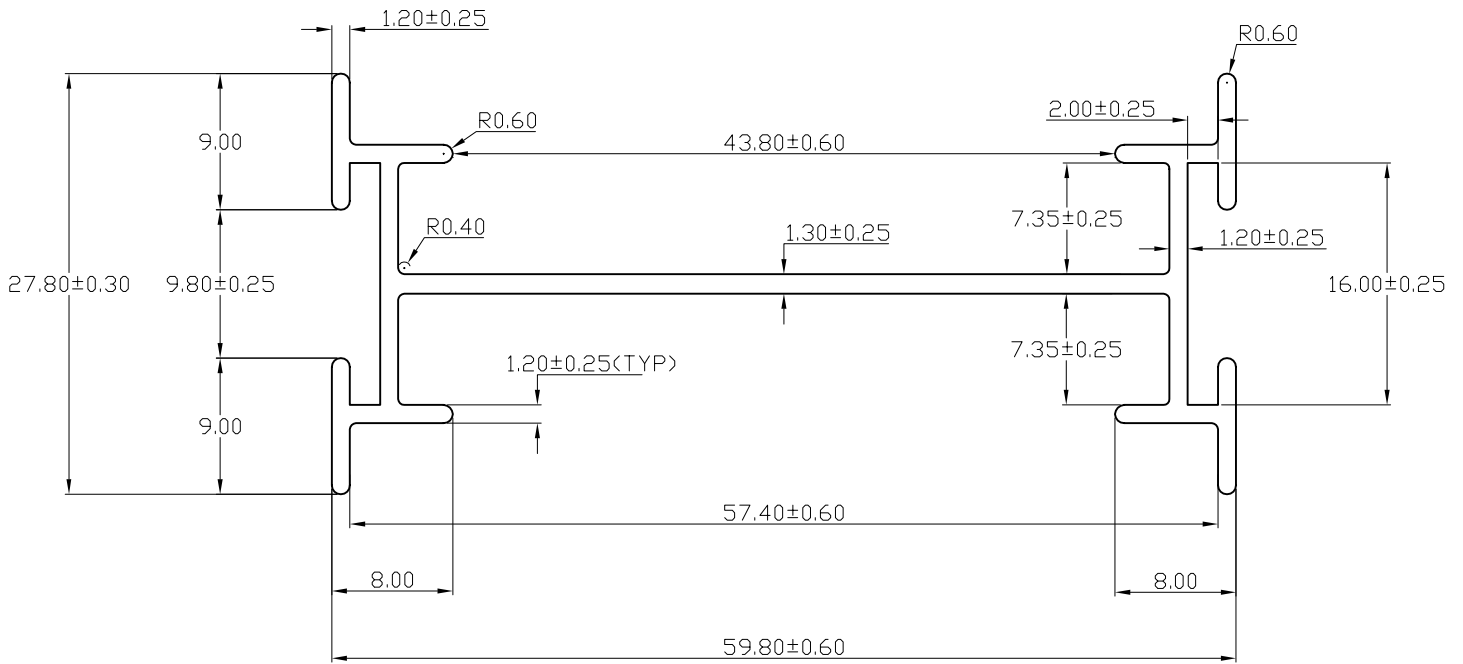
PARTY SAMPLE/DWG.NO- SAMPLE & DRW (LG-6086)	PARTY'S NAME-
DRAWN BY- AVDRESH YADAV	END USE -
CHECKED BY-	AREA- 130.640 mm ²
APPROVED BY-	WT.Kgs/Mtr - 0.352
SCALE USED- 1:1;1:2	WEIGHT RANGE-
CRITICAL DIM IF ANY-	PERIMETER - 227.562
DATE- 18/12/2009	D/F - 645.147
REMARKS-ER-	DRG NO- 912181531

SECT NO - 30175



ACTUAL SIZE

Wt.Kg/Mtr - 0.483



ALL DIMENSION ARE IN M.M.
UNSPECIFIED CORNER RADIUS:- 0.30M.M.

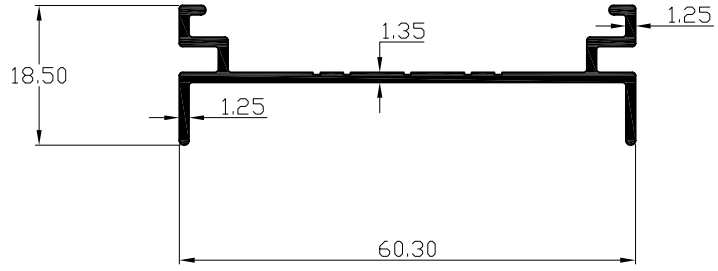
TOL, AS PER B.S.1474:1972
UNLEES SPECIFIED

STRAIGHTNEES = 1.5 M.M./MTR
ANGULARITY = ± 2°

PARAGON EXTRUSIONS PVT LTD

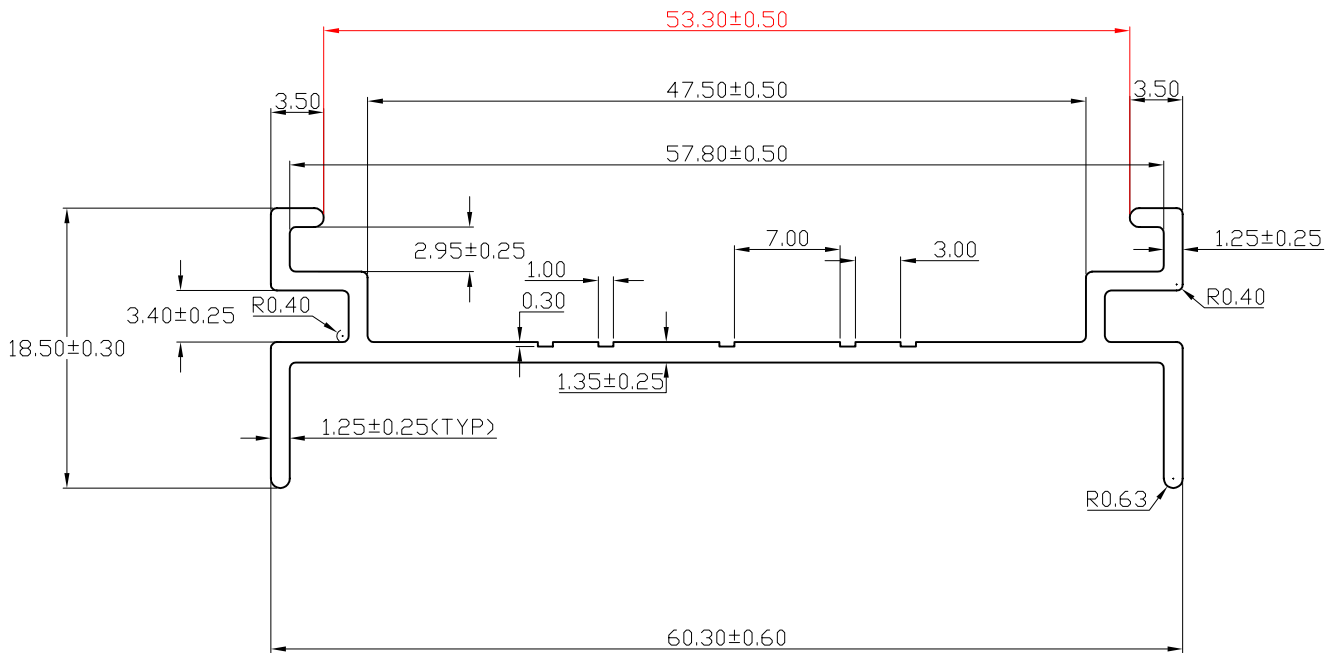
PARTY SAMPLE/DWG.NO- SAMPLE & DRW (LG-6088)	PARTY'S NAME- Rishi Ji
DRAWN BY- AZHAR SAIFI	END USE -
CHECKED BY-	AREA- 179.097mm ²
APPROVED BY-	WT.Kgs/Mtr - 0.483
SCALE USED- 1:1;1:2	WEIGHT RANGE-
CRITICAL DIM IF ANY-	PERIMETER - 286.359
DATE- 18/12/2009	D/F - 592.184
REMARKS-ER-	DRG NO- 912181532

SECT NO - 30176



ACTUAL SIZE

Wt.Kg/Mtr - 0.380



ALL DIMENSION ARE IN M.M.
UNSPECIFIED CORNER RADIUS:- 0.30M.M.

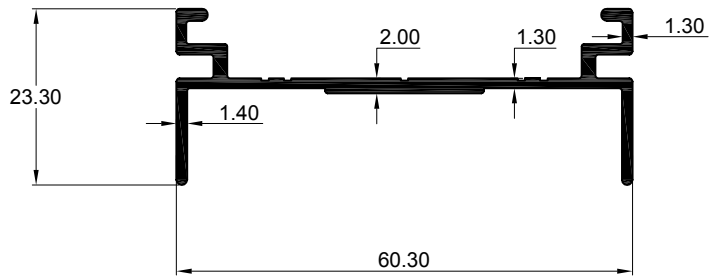
TOL, AS PER B.S.1474:1972
UNLEES SPECIFIED

STRAIGHTNEES = 1.5 M.M./MTR
ANGULARITY = ± 2°

PARAGON EXTRUSIONS PVT LTD

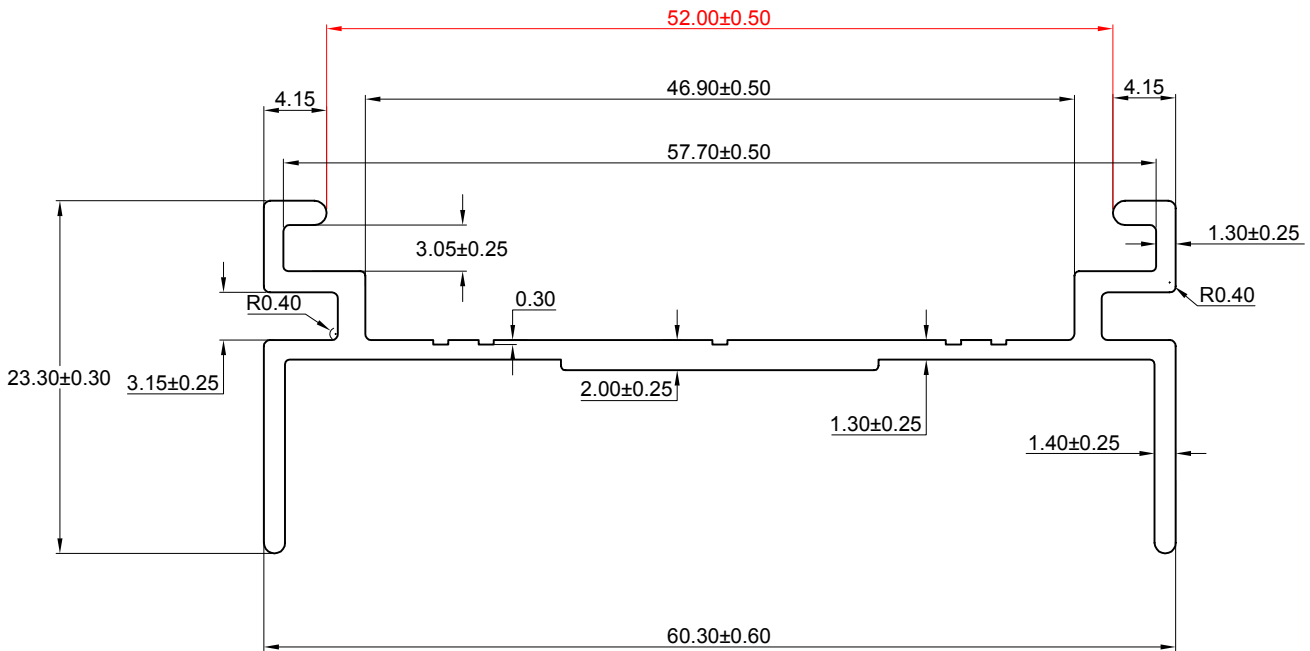
PARTY SAMPLE/DWG.NO- SAMPLE & DRW(LG-6084)	PARTY'S NAME- Rishi Ji
DRAWN BY- AZHAR SAIFI	END USE -
CHECKED BY-	AREA- 140.746mm ²
APPROVED BY-	WT.Kgs/Mtr - 0.380
SCALE USED- 1:1;1:2	WEIGHT RANGE-
CRITICAL DIM IF ANY-	PERIMETER - 218.920
DATE- 18/12/2009	D/F - 576.081
REMARKS-ER-	DRG NO- 912181533

SECT NO - 30176-M



ACTUAL SIZE

Wt.Kg/Mtr - 0.480



ALL DIMENSION ARE IN M.M.
UNSPECIFIED CORNER RADIUS:- 0.30M.M.

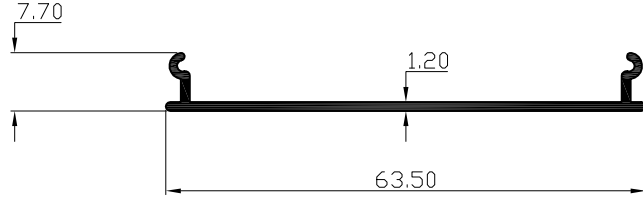
TOL, AS PER B.S.1474:1972
UNLESS SPECIFIED

STRAIGHTNEES = 1.5 M.M./MTR
ANGULARITY = ± 2°

PARAGON EXTRUSIONS PVT LTD

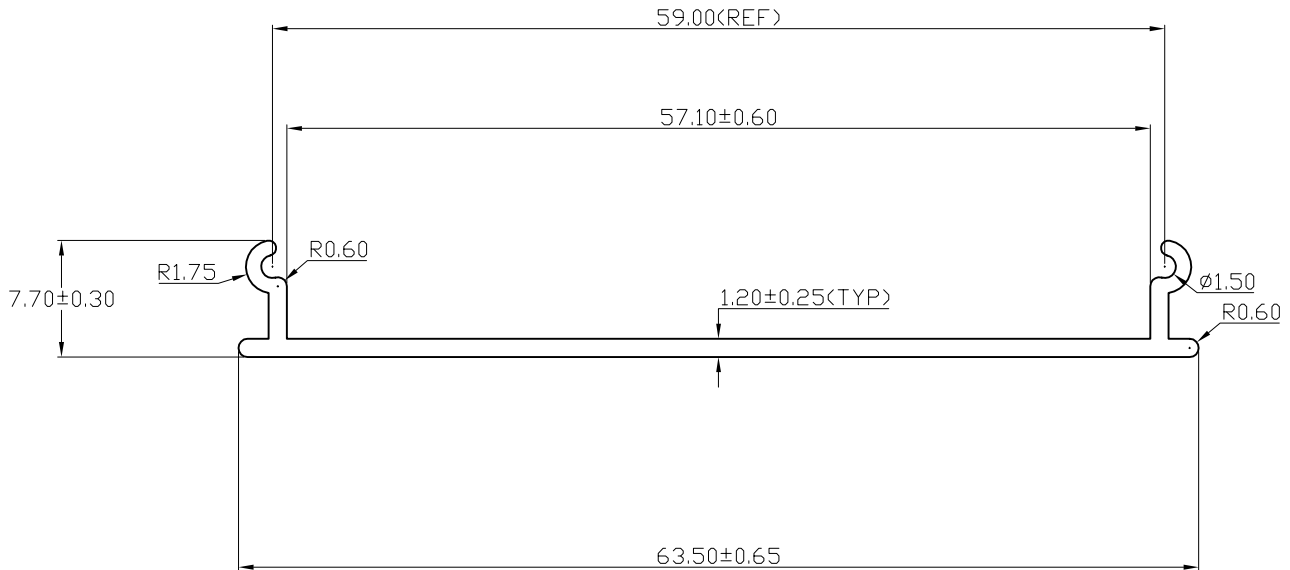
PARTY SAMPLE/DWG.NO- SAMPLE & DRW	PARTY'S NAME- MANGLAM SPJI
DRAWN BY- AZHAR SAIFI	END USE -
CHECKED BY-	AREA- 177.819 mm ²
APPROVED BY-	WT.Kgs/Mtr - 0.480
SCALE USED- 1:1;1:2	WEIGHT RANGE-
CRITICAL DIM IF ANY-	PERIMETER - 242.548
DATE- 21.12.2017	D/F — 505.308
REMARKS-ER-	DRG NO- 1712222855

SECT NO - 30178



ACTUAL SIZE

Wt.Kg/Mtr - 0.251



ALL DIMENSION ARE IN M.M.
UNSPECIFIED CORNER RADIUS:- 0.30M.M.

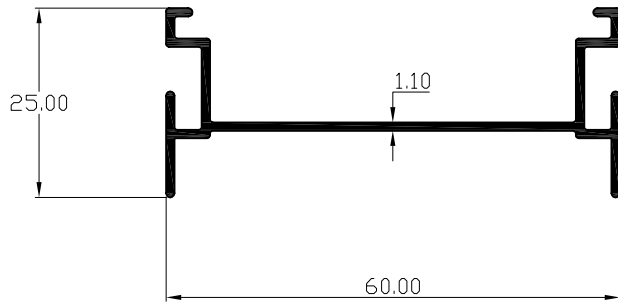
TOL, AS PER B.S.1474:1972
UNLEES SPECIFIED

STRAIGHTNEES = 1.5 M.M./MTR
ANGULARITY = ± 2°

PARAGON EXTRUSIONS PVT LTD

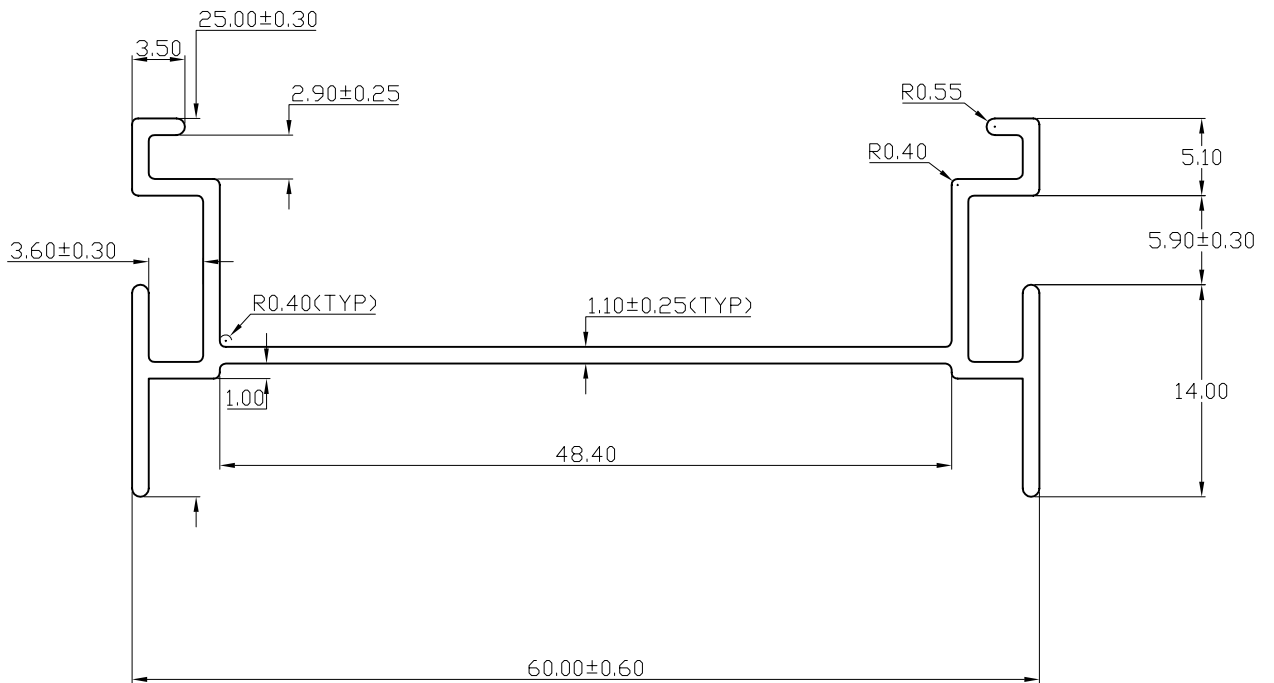
PARTY SAMPLE/DWG.NO-SAMPLE & DRW (LG-6082)	PARTY'S NAME- Rishi Ji
DRAWN BY- AVDHESH YADAV	END USE -
CHECKED BY-	AREA- 93.107 mm ²
APPROVED BY-	WT.Kgs/Mtr - 0.251
SCALE USED- 1:1;1:2	WEIGHT RANGE-
CRITICAL DIM IF ANY-	PERIMETER - 158.933
DATE- 18/12/2009	D/F - 632.220
REMARKS-ER-	DRG NO- 912181535

SECT NO - 30179



ACTUAL SIZE

Wt.Kg/Mtr - 0.391



ALL DIMENSION ARE IN M.M.
UNSPECIFIED CORNER RADIUS:- 0.30M.M.

TOL, AS PER B.S.1474:1972
UNLEES SPECIFIED

STRAIGHTNEES = 1.5 M.M./MTR
ANGULARITY = ± 2°

PARAGON EXTRUSIONS PVT LTD

PARTY SAMPLE/DWG.NO- SAMPLE	PARTY'S NAME- Rishi Ji
DRAWN BY- AZHAR SAIFI	END USE -
CHECKED BY-	AREA- 144.847mm ²
APPROVED BY-	WT.Kgs/Mtr - 0.391
SCALE USED- 1:1;1:2	WEIGHT RANGE-
CRITICAL DIM IF ANY-	PERIMETER - 259.990
DATE- 18/12/2009	D/F - 664.789
REMARKS-ER-	DRG NO- 912181536