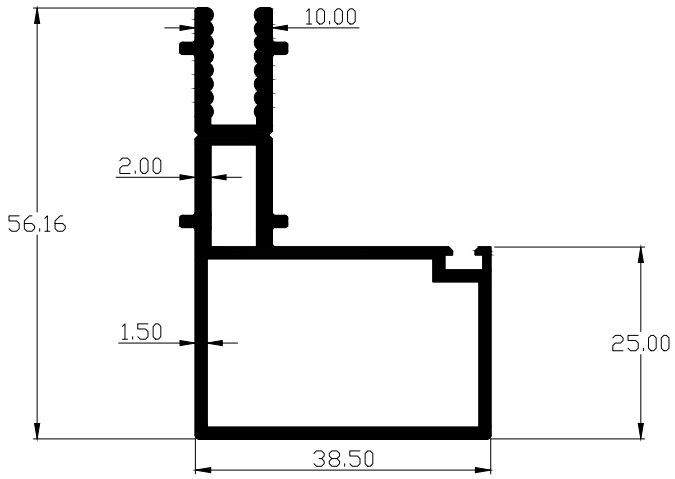
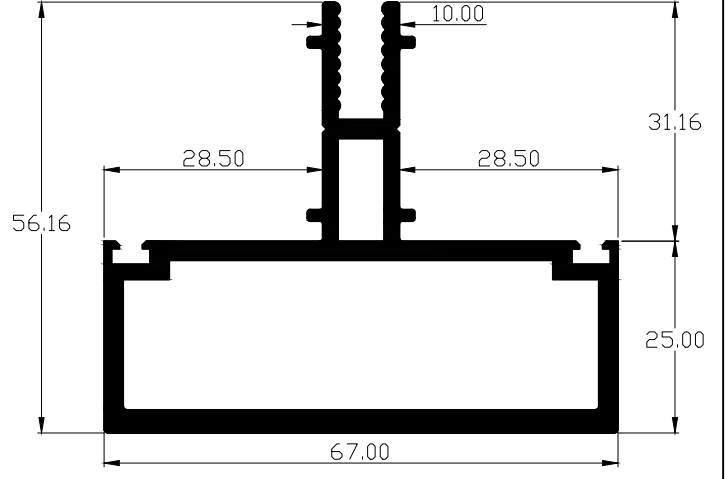


PARAGON ALUMINIUM L.L.P

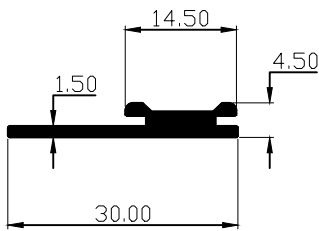
SECTION. NO	WT.Kgs/Mtr
30168	0.918



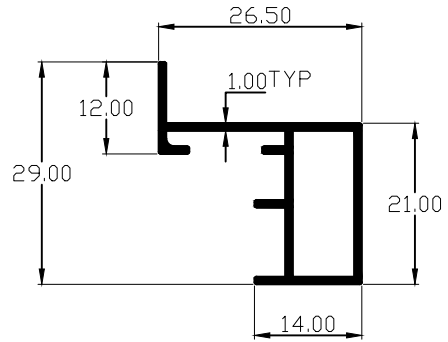
SECTION. NO	WT.Kgs/Mtr
30169	1.683



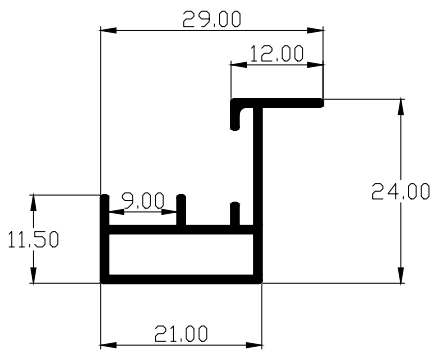
SECTION. NO	WT.Kgs/Mtr
30132	0.191



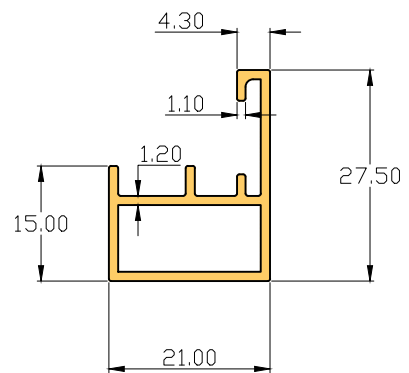
SECTION. NO	WT.Kgs/Mtr
30133	0.268



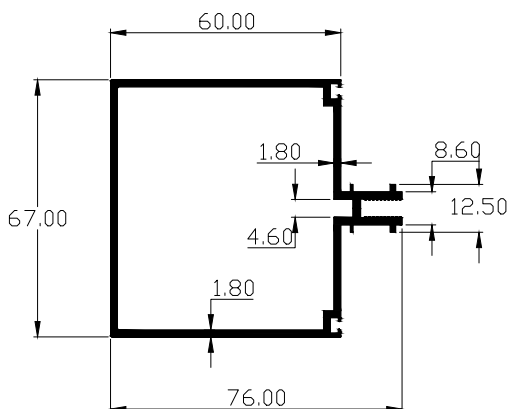
SECTION. NO	WT.Kgs/Mtr
30136	0.254



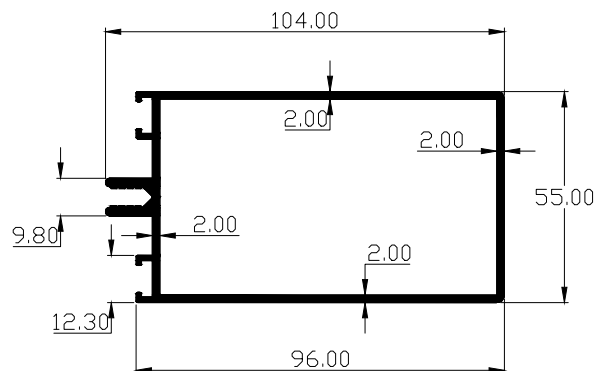
SECTION. NO	WT.Kgs/Mtr
30194	0.298



SECTION. NO	WT.Kgs/Mtr
30193	1.416



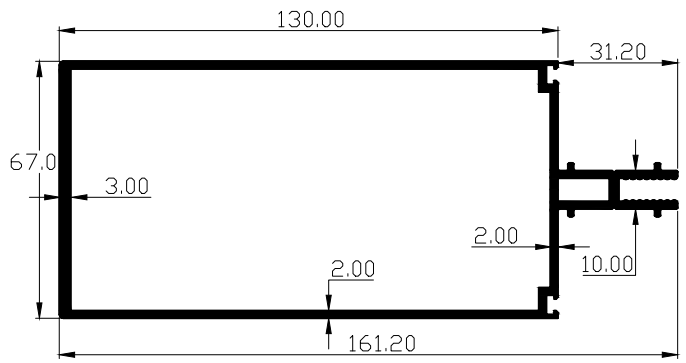
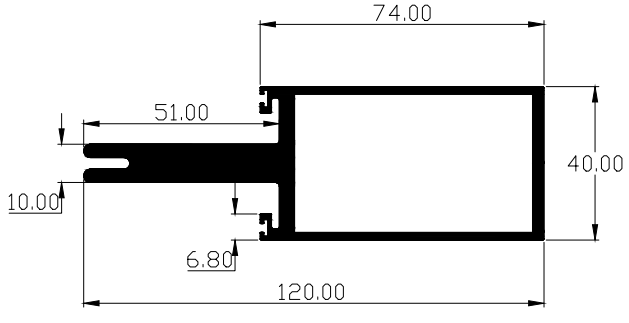
SECTION. NO	WT.Kgs/Mtr
30201	1.797



PARAGON ALUMINIUM L.L.P

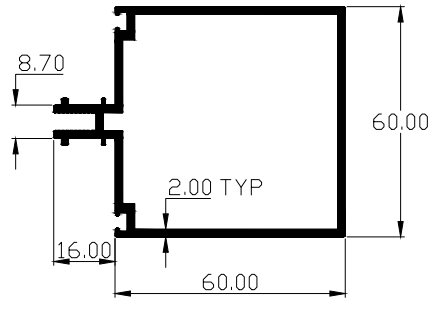
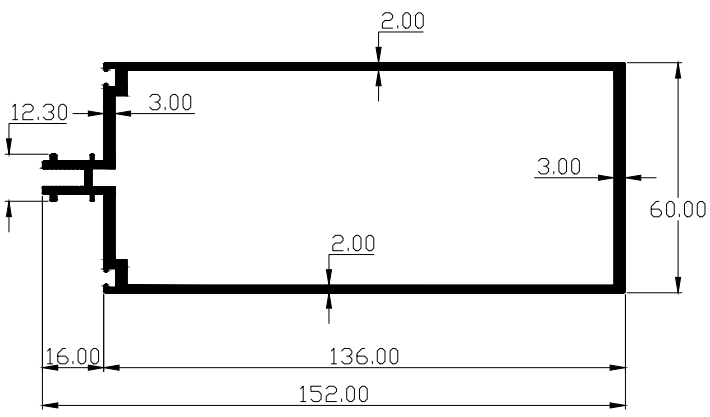
SECTION. NO	WT.Kgs/Mtr
30158	2.807

SECTION. NO	WT.Kgs/Mtr
30159	2.697



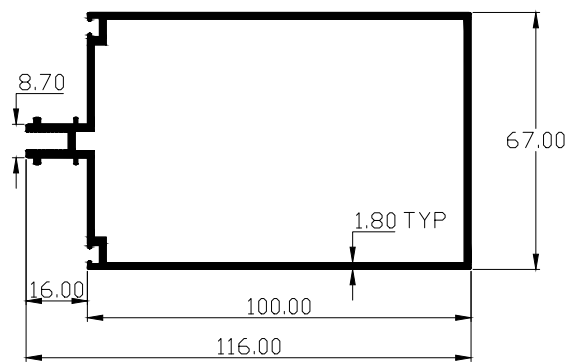
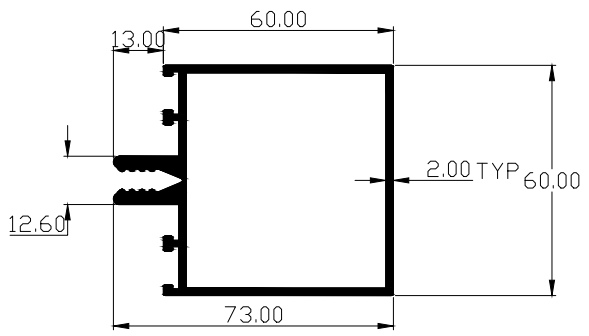
SECTION. NO	WT.Kgs/Mtr
30130	2.600

SECTION. NO	WT.Kgs/Mtr
30125	1.490



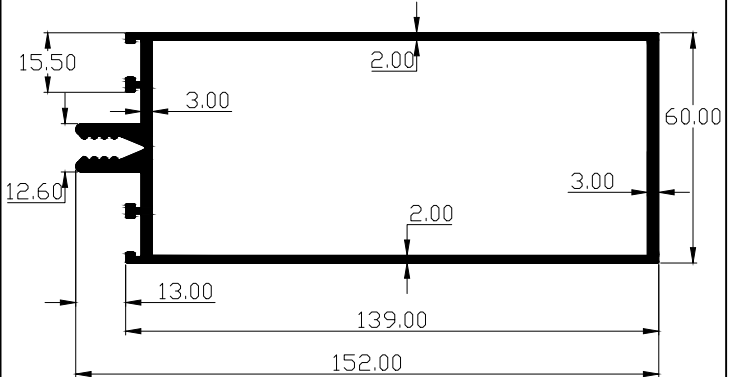
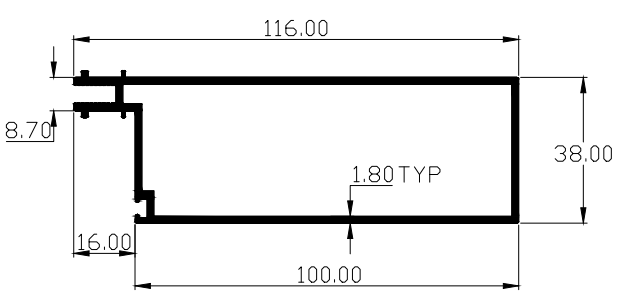
SECTION. NO	WT.Kgs/Mtr
30126	1.669

SECTION. NO	WT.Kgs/Mtr
30127	1.820



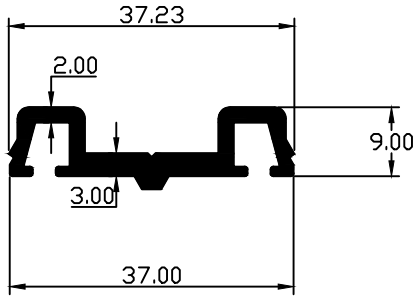
SECTION. NO	WT.Kgs/Mtr
30128	

SECTION. NO	WT.Kgs/Mtr
30129	2.825

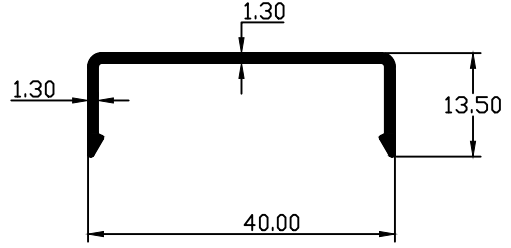


PARAGON ALUMINIUM L.L.P

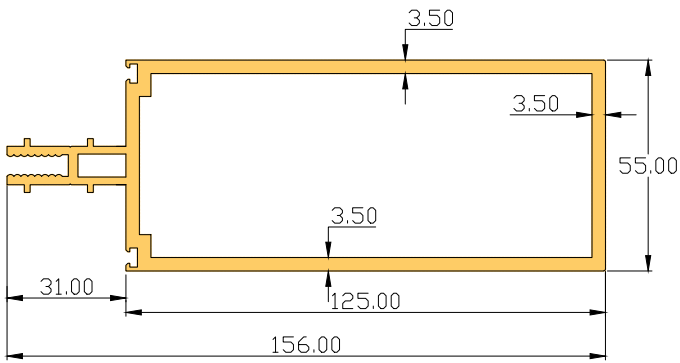
SECTION. NO	WT.Kgs/Mtr
30061	0.425



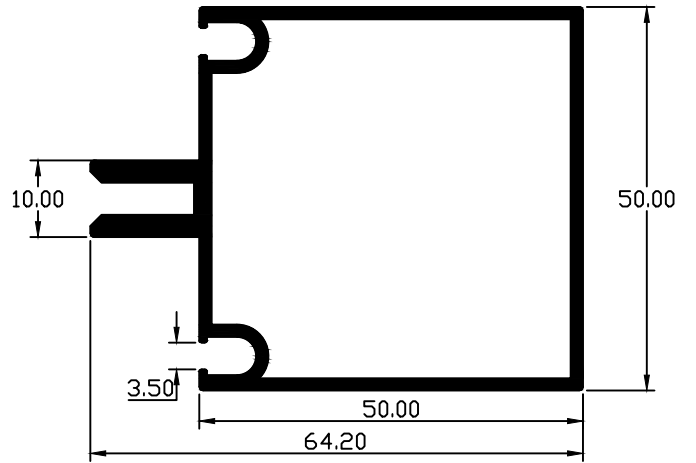
SECTION. NO	WT.Kgs/Mtr
30062	0.223



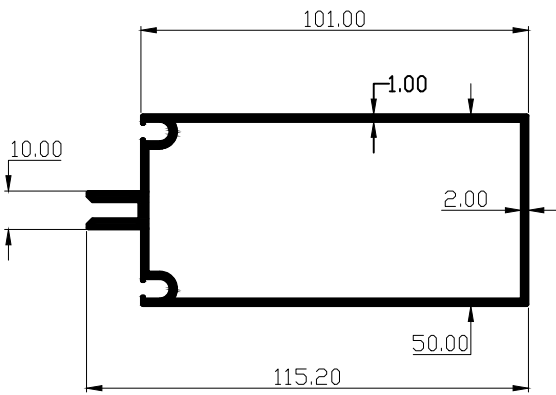
SECTION. NO	WT.Kgs/Mtr
30333	3.742



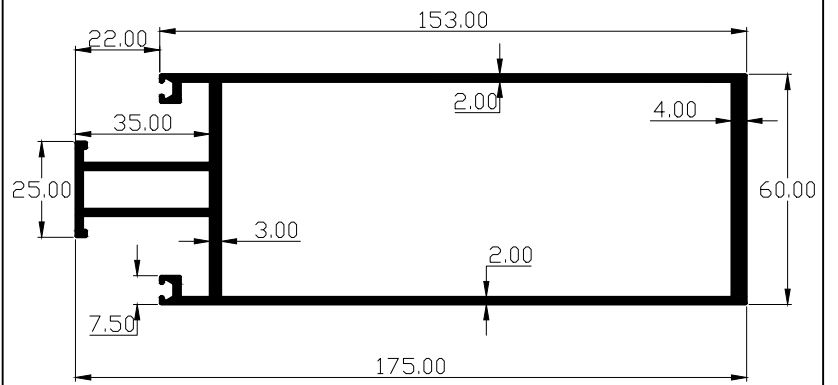
SECTION. NO	WT.Kgs/Mtr
30027	1.136



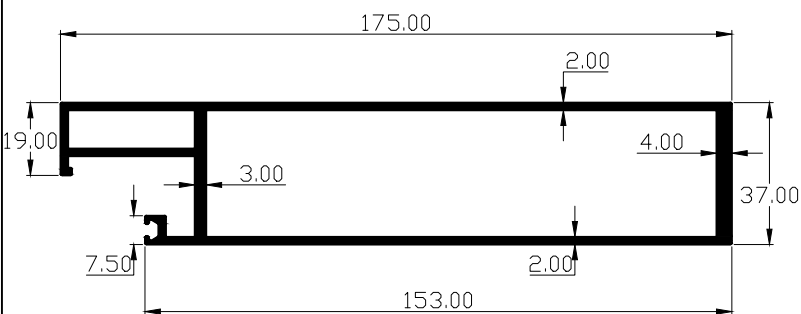
SECTION. NO	WT.Kgs/Mtr
30036	1.886



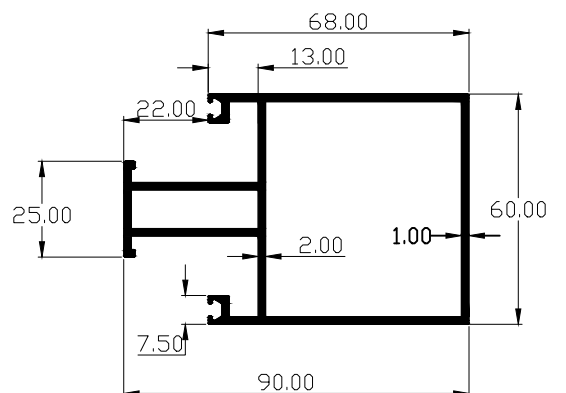
SECTION. NO	WT.Kgs/Mtr
28022	3.296
P-16	



SECTION. NO	WT.Kgs/Mtr
28023	2.711
P-16	

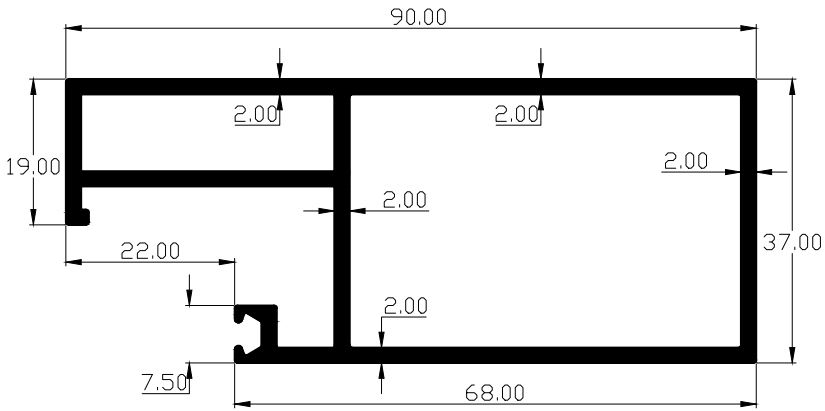


SECTION. NO	WT.Kgs/Mtr
28024	1.924
P-16	

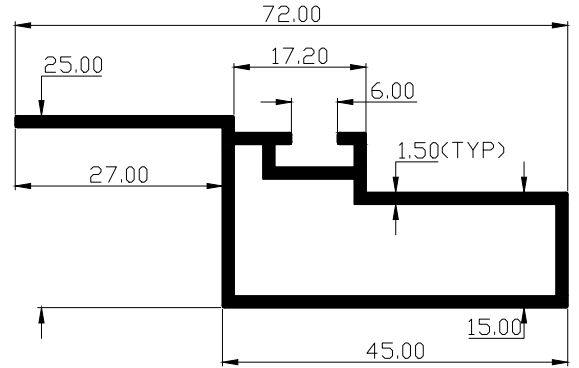


PARAGON ALUMINIUM L.L.P

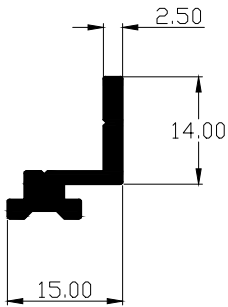
SECTION. NO	WT.Kgs/Mtr
28025	1.526
P-16	



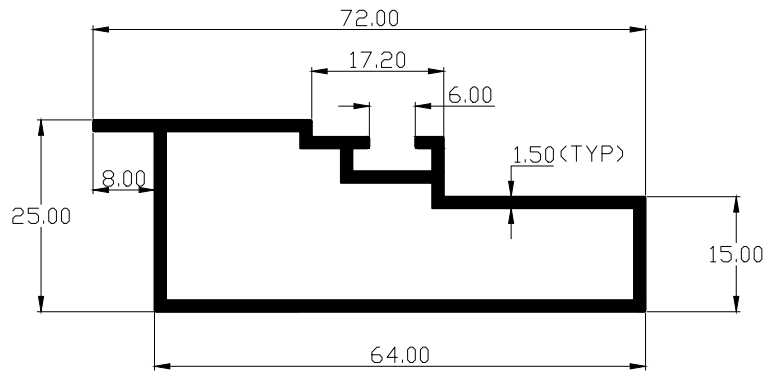
SECTION. NO	WT.Kgs/Mtr
28026	0.677
P-16	



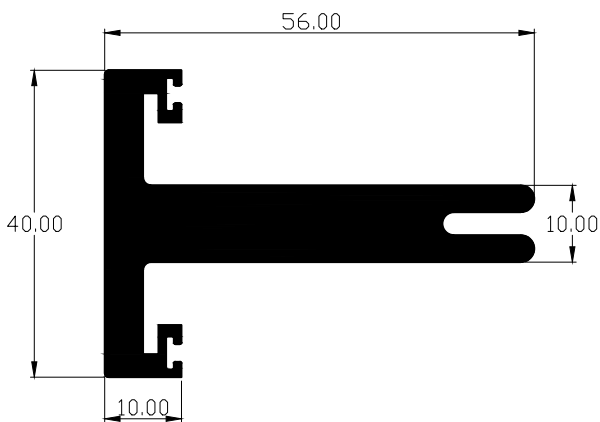
SECTION. NO	WT.Kgs/Mtr
28027	0.222



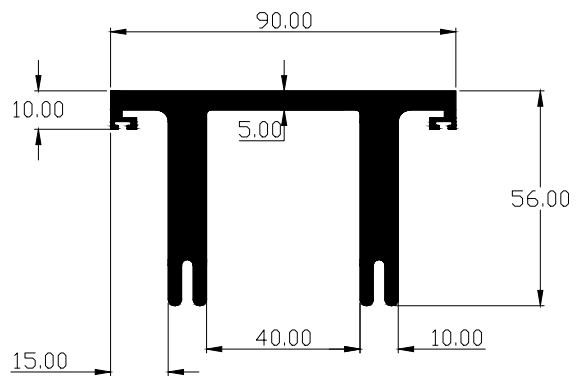
SECTION. NO	WT.Kgs/Mtr
28028	0.764
P-16	



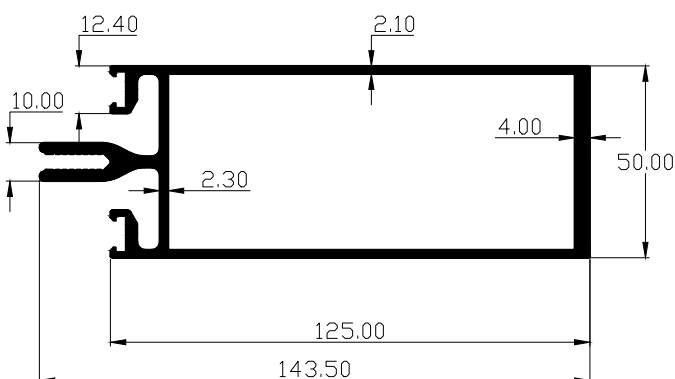
SECTION. NO	WT.Kgs/Mtr
30199	1.923



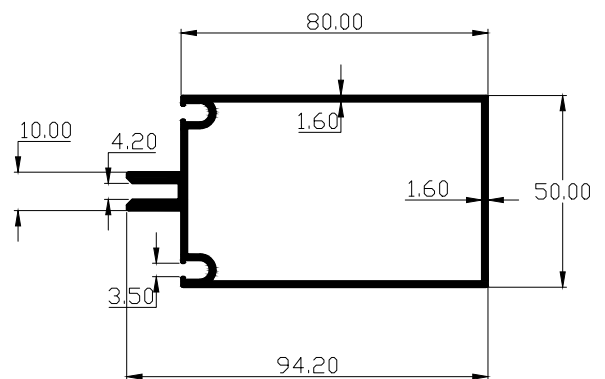
SECTION. NO	WT.Kgs/Mtr
30208	3.884



SECTION. NO	WT.Kgs/Mtr
30021	2.852

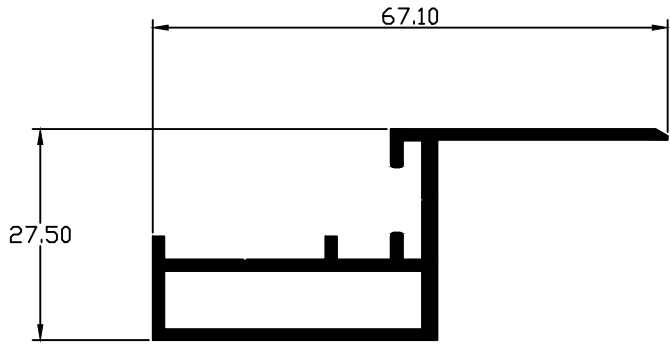


SECTION. NO	WT.Kgs/Mtr
30026	1.396

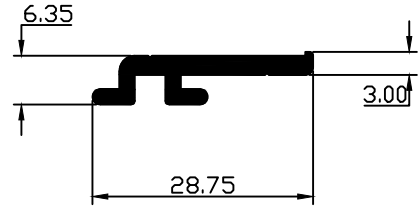


PARAGON ALUMINIUM L.L.P

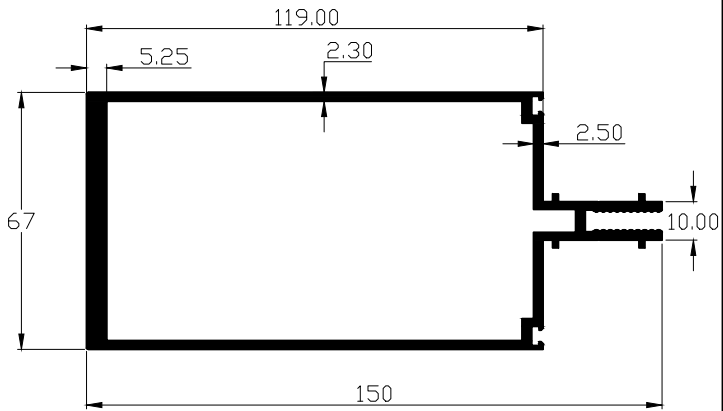
SECTION. NO	WT.Kgs/Mtr
30064	0.635



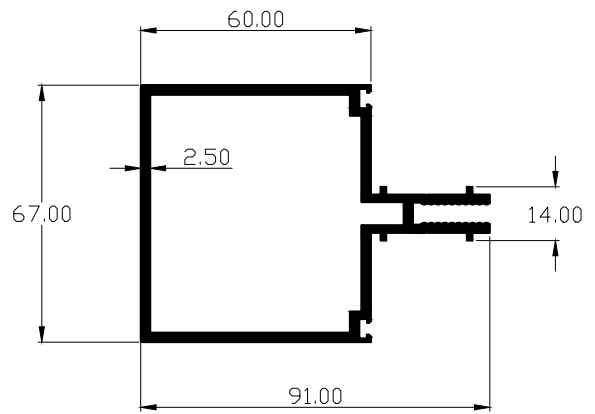
SECTION. NO	WT.Kgs/Mtr
30060	0.245



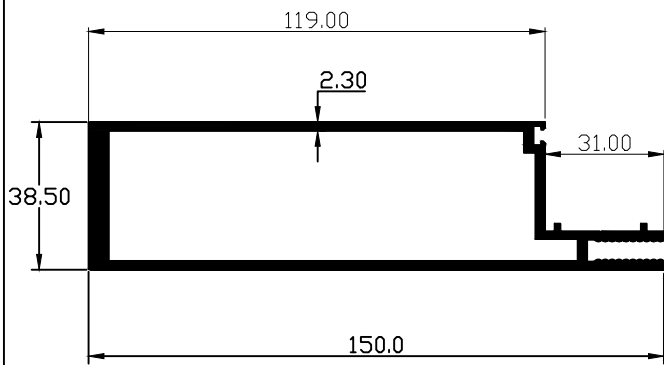
SECTION. NO	WT.Kgs/Mtr
30051	3.221



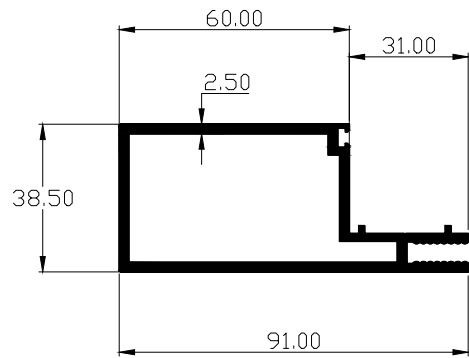
SECTION. NO	WT.Kgs/Mtr
30052	2.0816



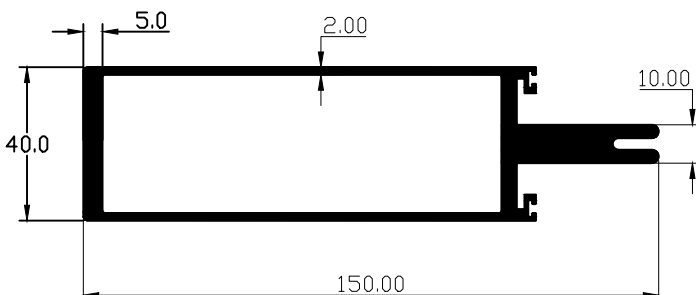
SECTION. NO	WT.Kgs/Mtr
30053	2.607



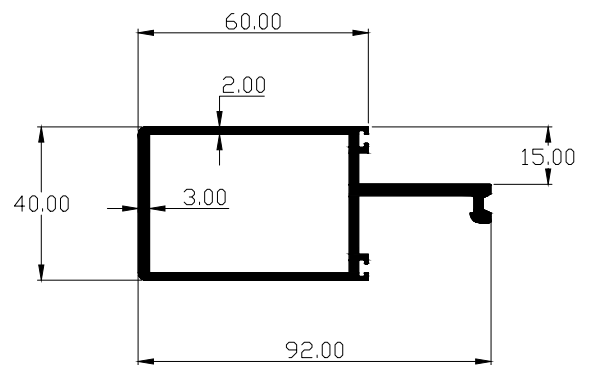
SECTION. NO	WT.Kgs/Mtr
30054	1.686



SECTION. NO	WT.Kgs/Mtr
30055	3.098

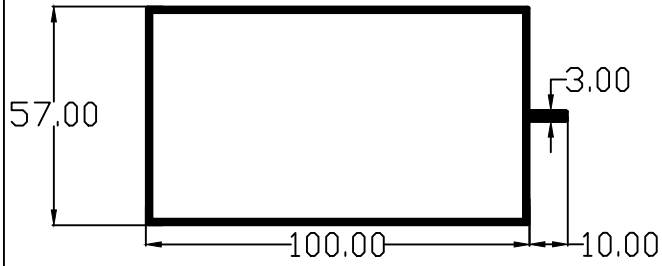


SECTION. NO	WT.Kgs/Mtr
30056	1.541

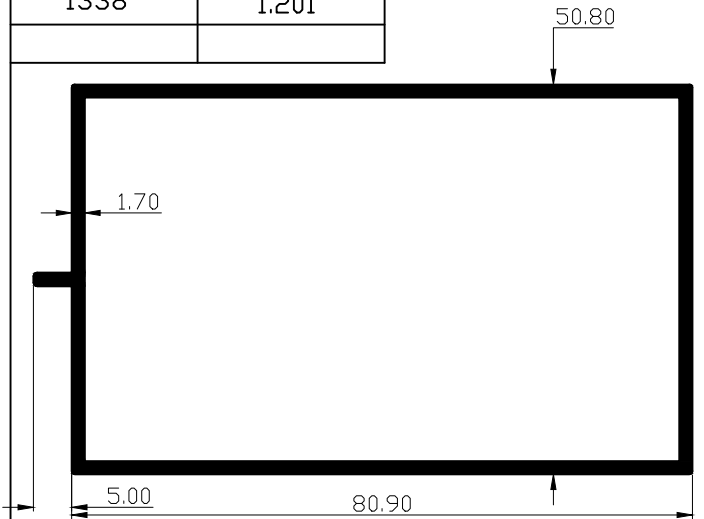


PARAGON ALUMINIUM L.L.P

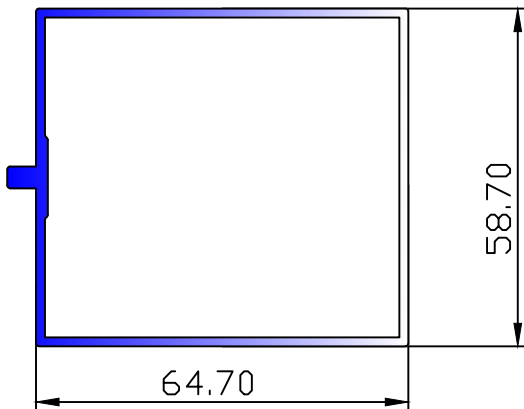
SECTION. NO	WT.Kgs/Mtr
1337	1.490



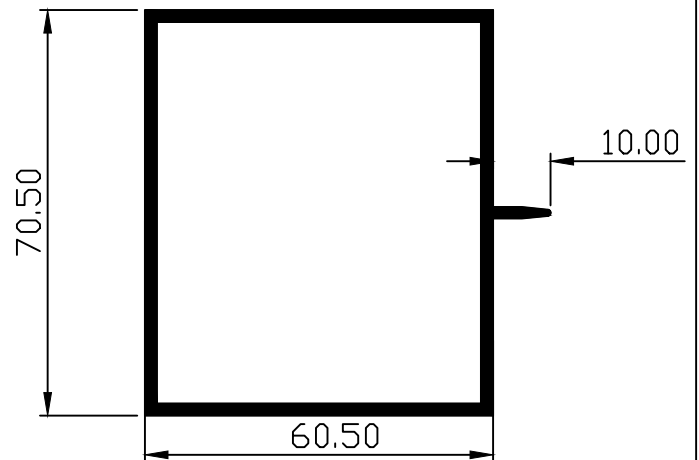
SECTION. NO	WT.Kgs/Mtr
1338	1.201



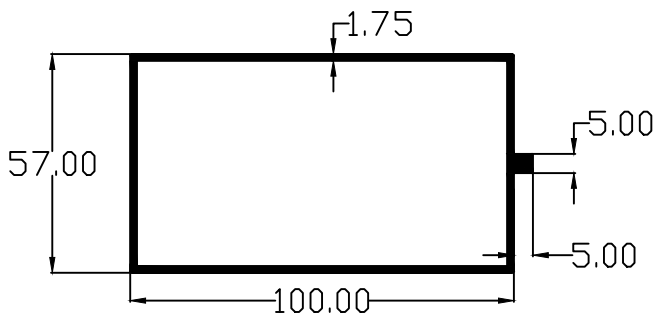
SECTION. NO	WT.Kgs/Mtr
1339	1.076



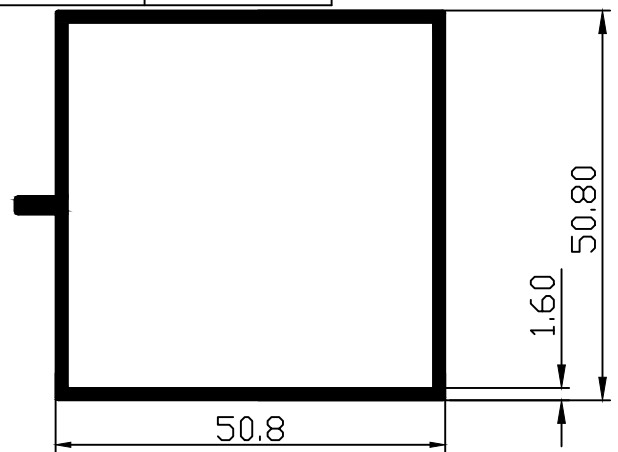
SECTION. NO	WT.Kgs/Mtr
1340	1.485



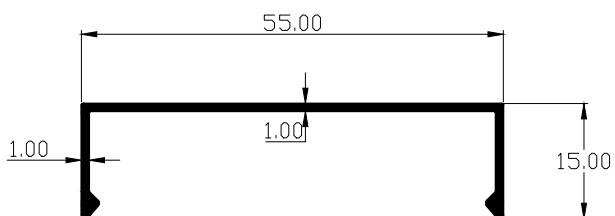
SECTION. NO	WT.Kgs/Mtr
1343	1.503



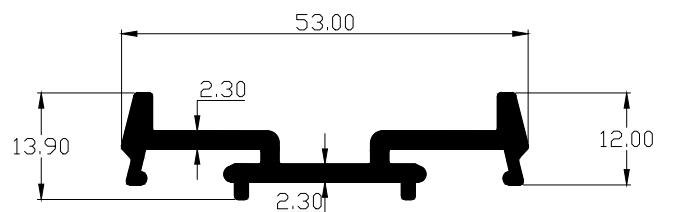
SECTION. NO	WT.Kgs/Mtr
1342	0.884



SECTION. NO	WT.Kgs/Mtr
30202	0.236

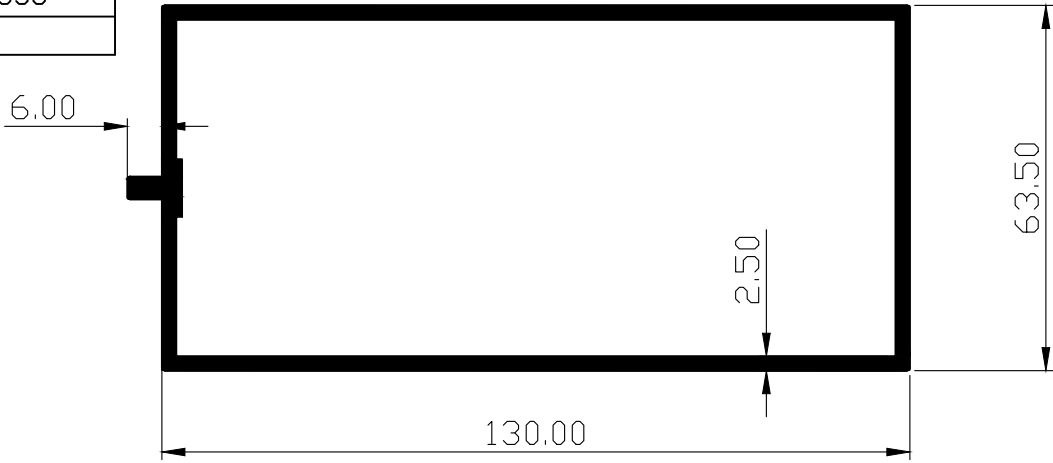


SECTION. NO	WT.Kgs/Mtr
30203	0.582

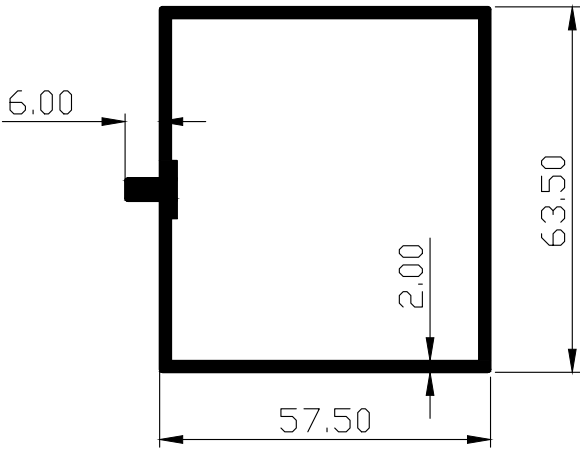


PARAGON ALUMINIUM L.L.P

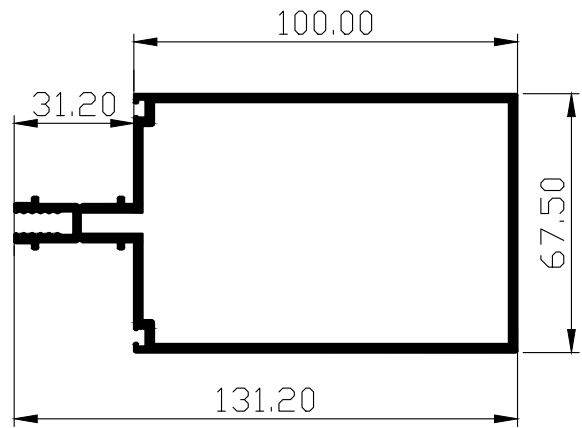
SECTION. NO	WT.Kgs/Mtr
1779	2.636



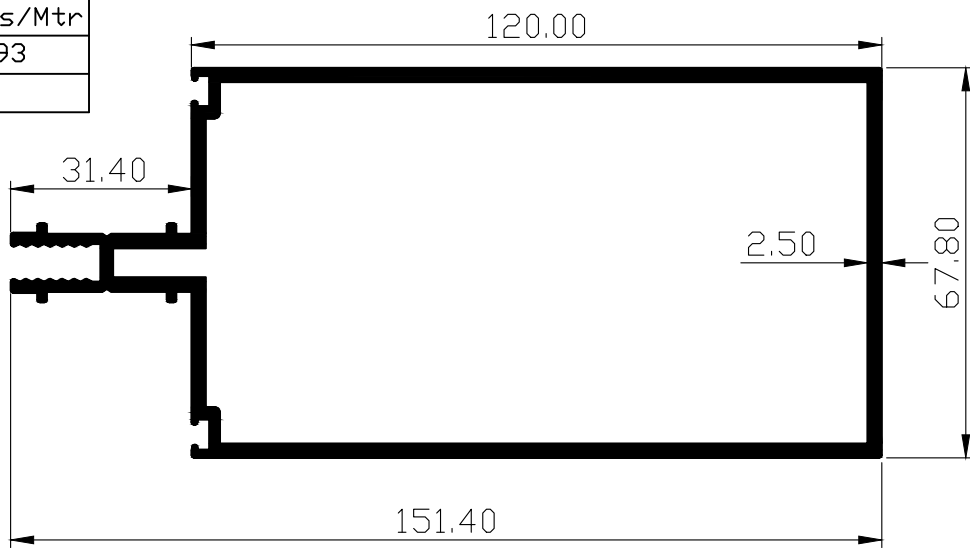
SECTION. NO	WT.Kgs/Mtr
1782	1.354



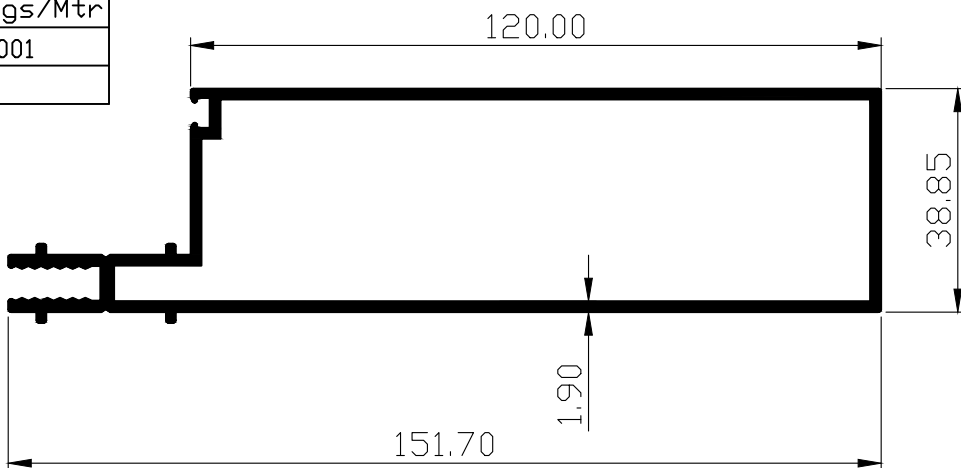
SECTION. NO	WT.Kgs/Mtr
1756	2.465



SECTION. NO	WT.Kgs/Mtr
1783	2.893

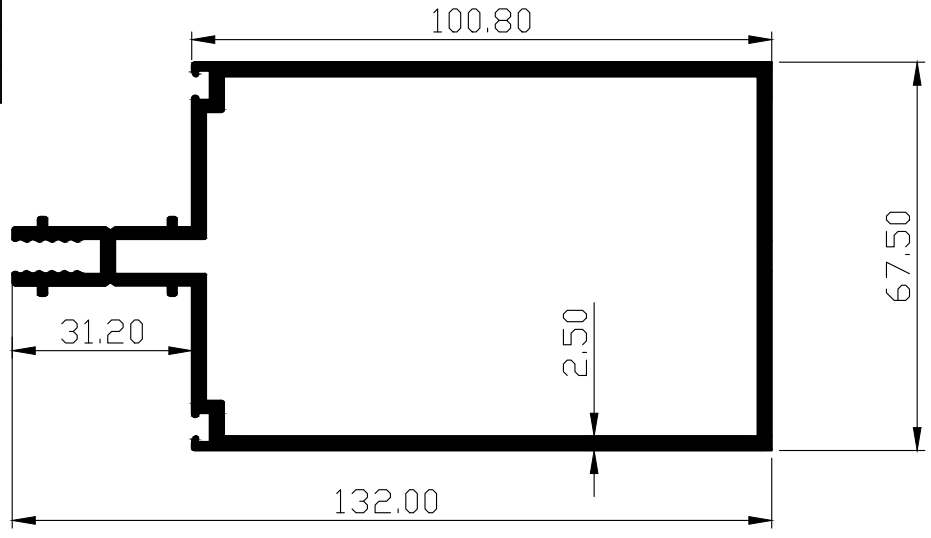


SECTION. NO	WT.Kgs/Mtr
1784	2.001

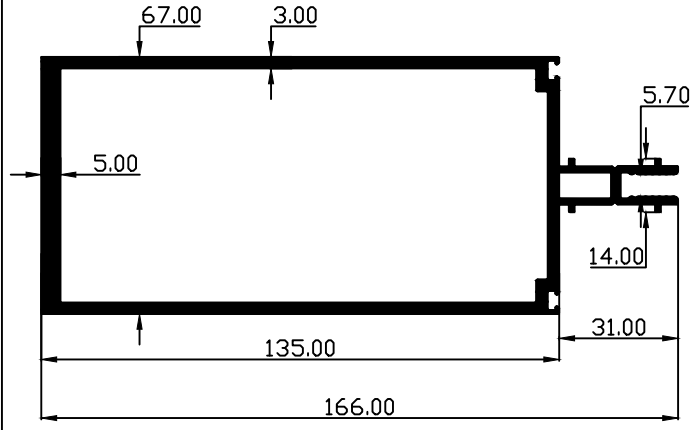


PARAGON ALUMINIUM L.L.P

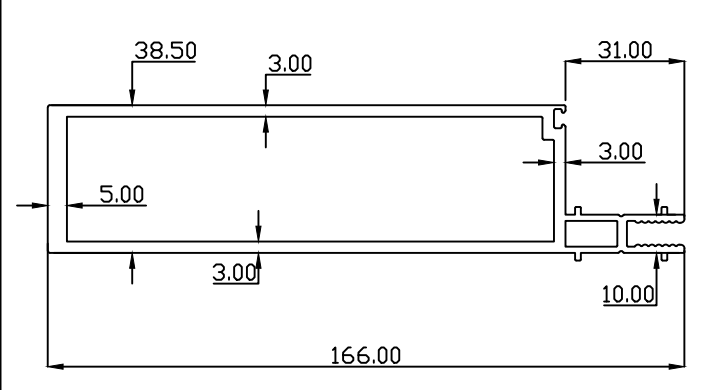
SECTION. NO	WT.Kgs/Mtr
1752	2.631



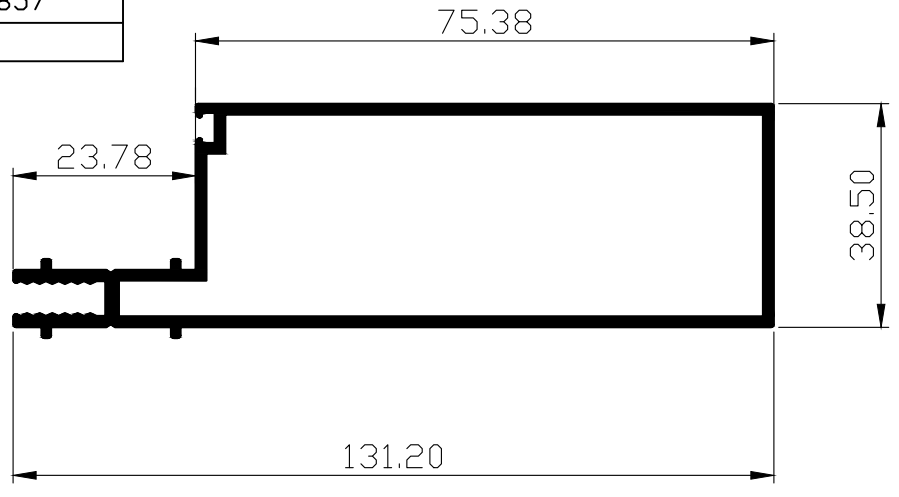
SECTION. NO	WT.Kgs/Mtr
30316	3.904



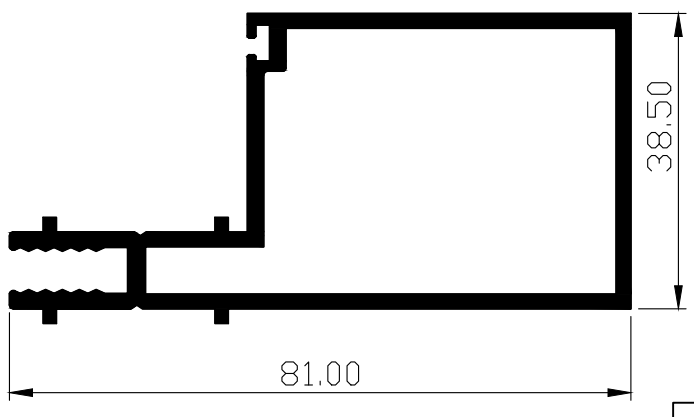
SECTION. NO	WT.Kgs/Mtr
30330	3.300



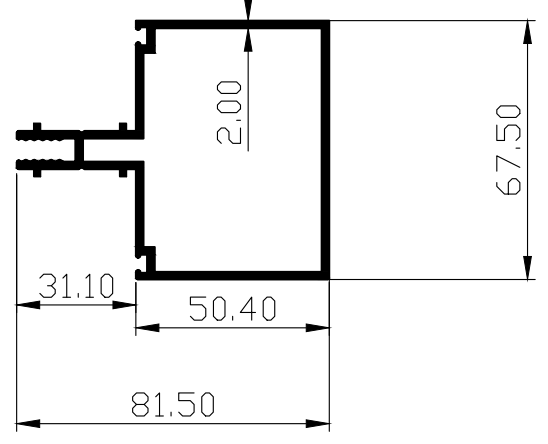
SECTION. NO	WT.Kgs/Mtr
1757	1.857



SECTION. NO	WT.Kgs/Mtr
1758	1.291

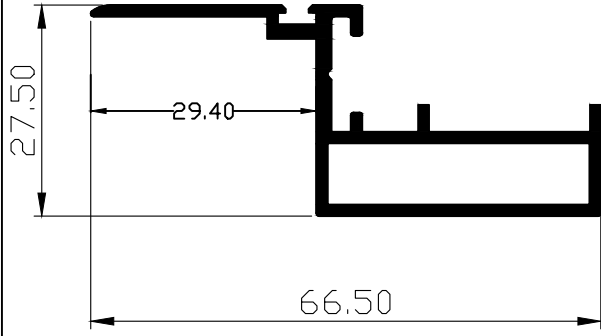


SECTION. NO	WT.Kgs/Mtr
1759	1.649

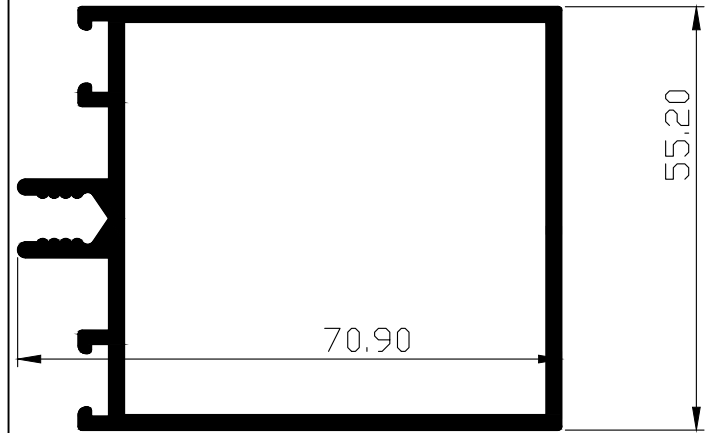


PARAGON ALUMINIUM L.L.P

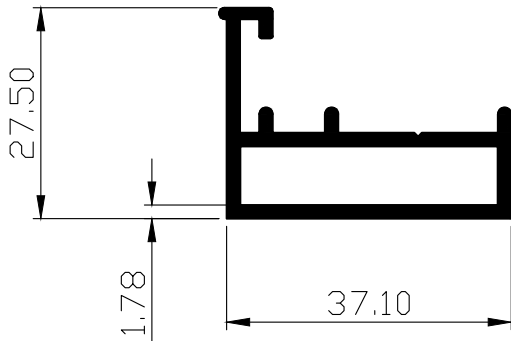
SECTION. NO	WT.Kgs/Mtr
1769	0.647



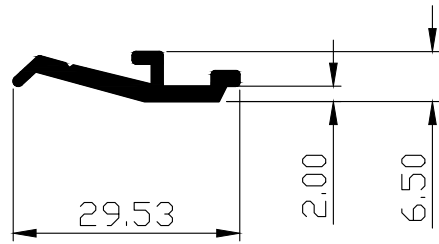
SECTION. NO	WT.Kgs/Mtr
1775	1.206



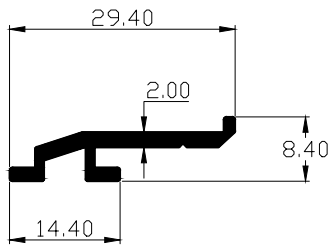
SECTION. NO	WT.Kgs/Mtr
1760	0.583



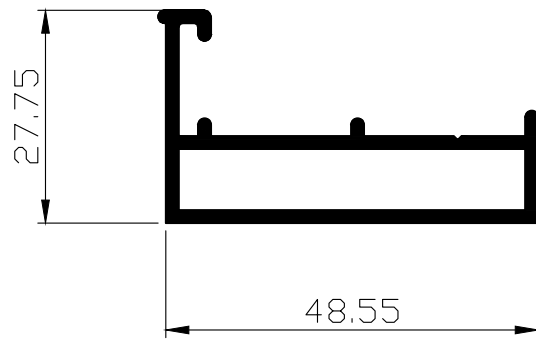
SECTION. NO	WT.Kgs/Mtr
1761	0.204



SECTION. NO	WT.Kgs/Mtr
1761/5	0.199



SECTION. NO	WT.Kgs/Mtr
1762	0.659



SECTION. NO	WT.Kgs/Mtr
1772	3.310

