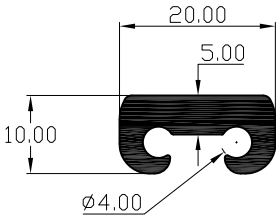
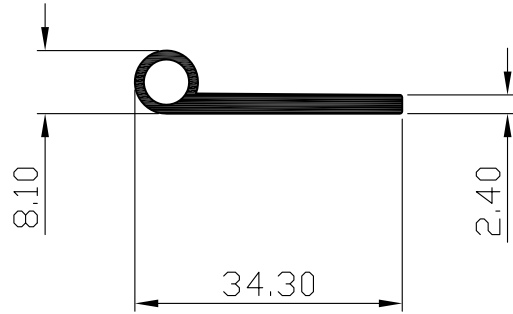


# PARAGON ALUMINIUM L.L.P

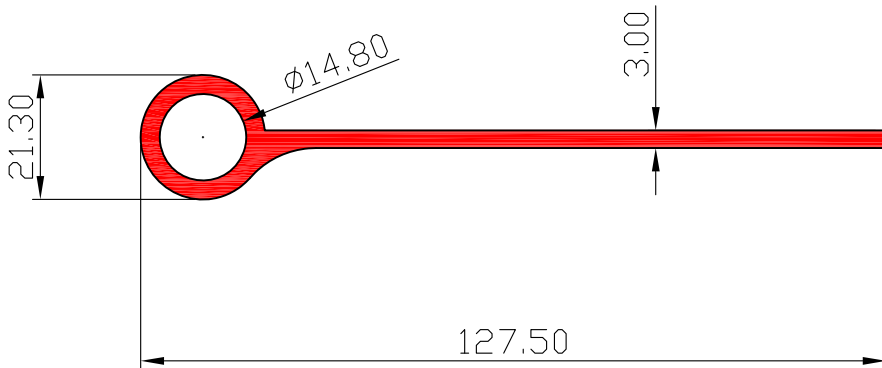
SECTION. NO	WT.Kgs/Mtr
700	0.354



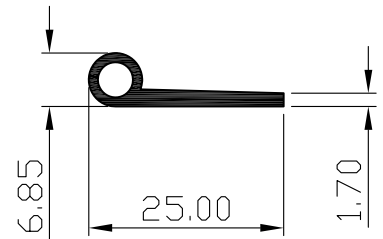
SECTION. NO	WT.Kgs/Mtr
706	0.254



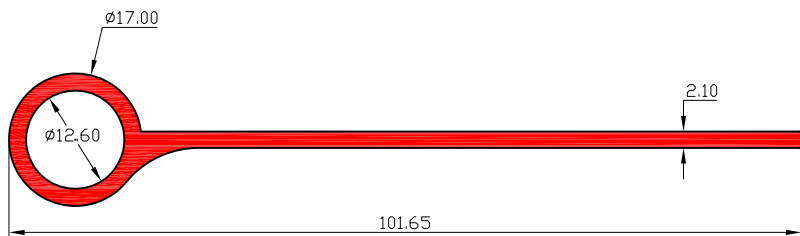
SECTION. NO	WT.Kgs/Mtr
707	1.384



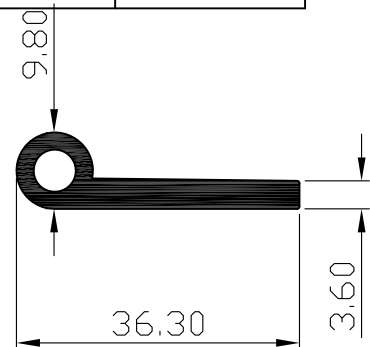
SECTION. NO	WT.Kgs/Mtr
708	0.159



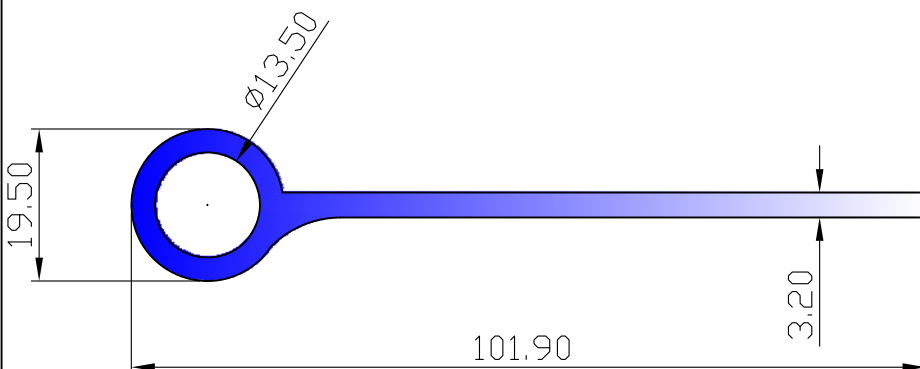
SECTION. NO	WT.Kgs/Mtr
709	0.775



SECTION. NO	WT.Kgs/Mtr
710	0.424

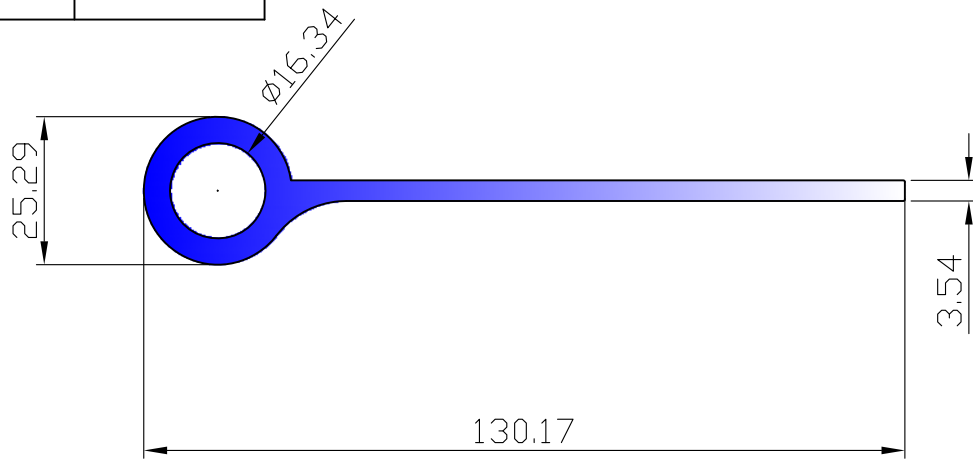


SECTION. NO	WT.Kgs/Mtr
711	1.151

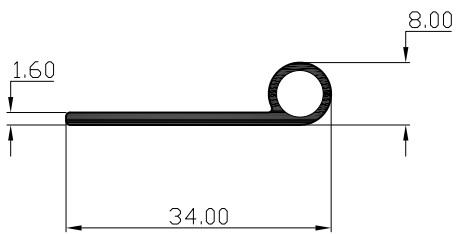


# PARAGON ALUMINIUM L.L.P

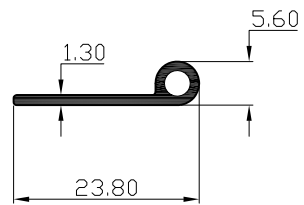
SECTION. NO	WT.Kgs/Mtr
712	1.830



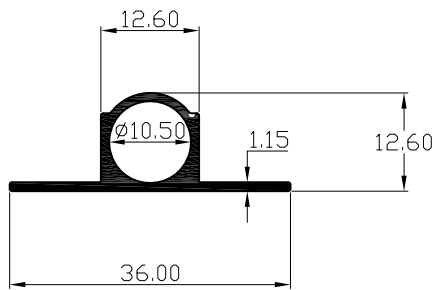
SECTION. NO	WT.Kgs/Mtr
713	0.179



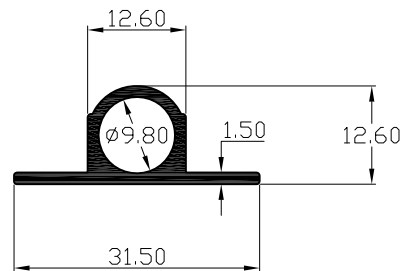
SECTION. NO	WT.Kgs/Mtr
716	0.112



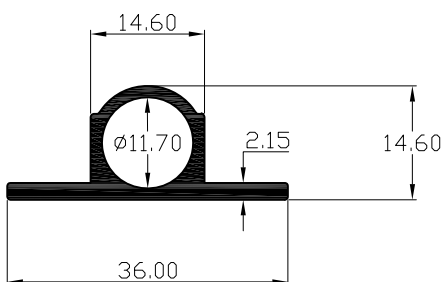
SECTION. NO	WT.Kgs/Mtr
717	0.228



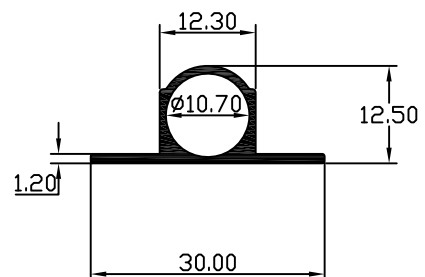
SECTION. NO	WT.Kgs/Mtr
718	0.257



SECTION. NO	WT.Kgs/Mtr
720	0.354

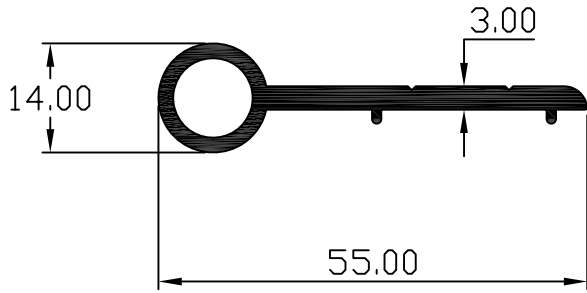


SECTION. NO	WT.Kgs/Mtr
722	0.190

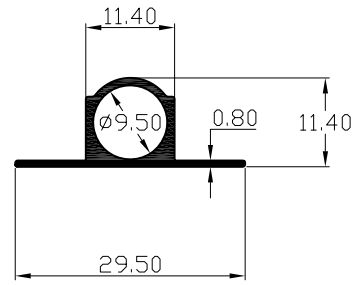


# PARAGON ALUMINIUM L.L.P

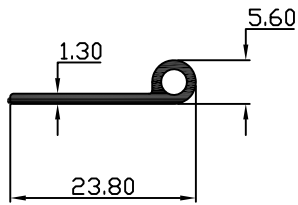
SECTION. NO	WT.Kgs/Mtr
714	0.531



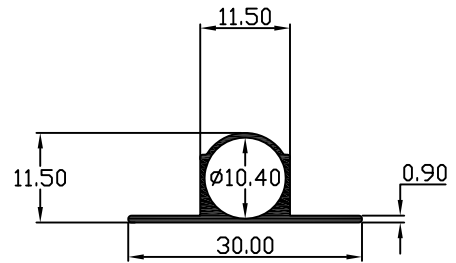
SECTION. NO	WT.Kgs/Mtr
715	0.166



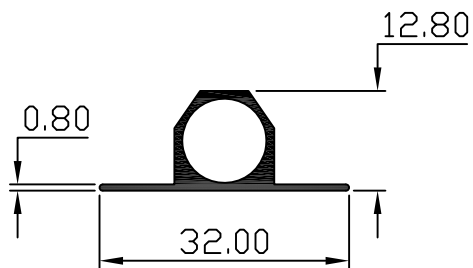
SECTION. NO	WT.Kgs/Mtr
716	0.112



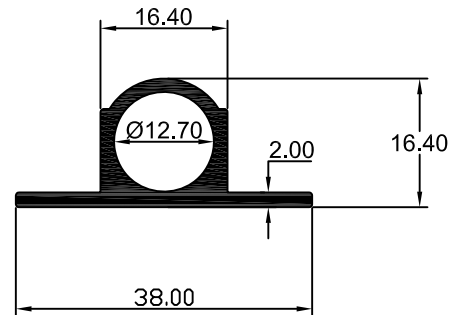
SECTION. NO	WT.Kgs/Mtr
734	0.138



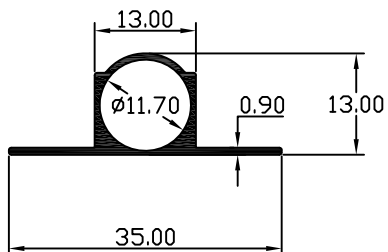
SECTION. NO	WT.Kgs/Mtr
735	0.193



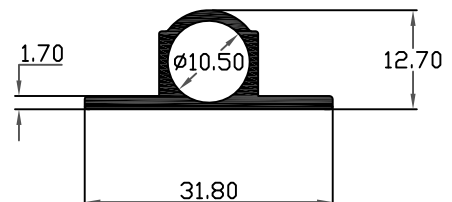
SECTION. NO	WT.Kgs/Mtr
736	0.436



SECTION. NO	WT.Kgs/Mtr
737	0.179

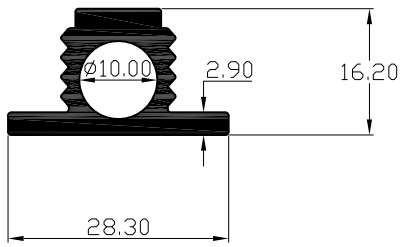


SECTION. NO	WT.Kgs/Mtr
738	0.250

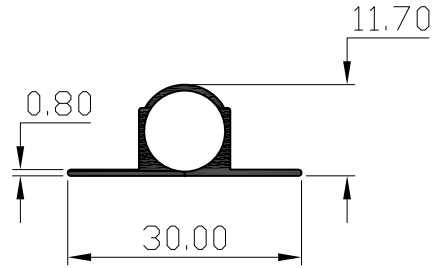


# PARAGON ALUMINIUM L.L.P

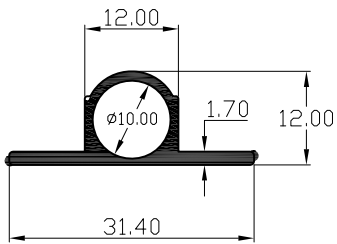
SECTION. NO	WT.Kgs/Mtr
739	0.482



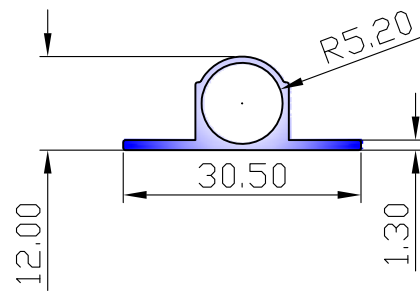
SECTION. NO	WT.Kgs/Mtr
715/1	0.143



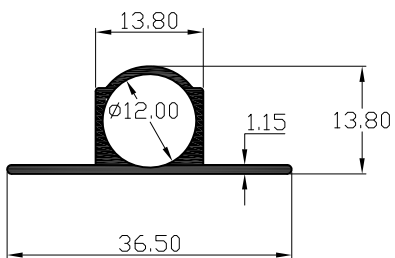
SECTION. NO	WT.Kgs/Mtr
723	0.226



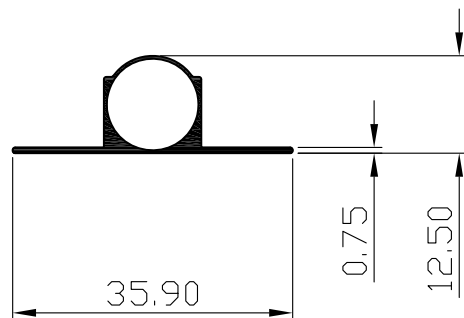
SECTION. NO	WT.Kgs/Mtr
724	0.679



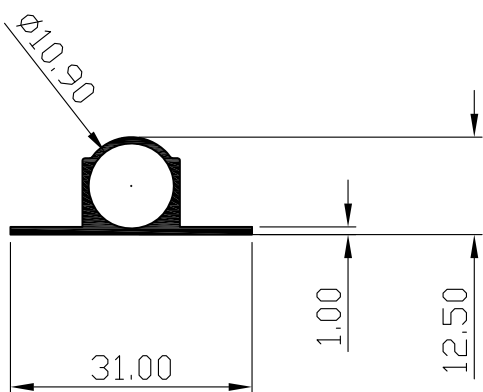
SECTION. NO	WT.Kgs/Mtr
727	0.232



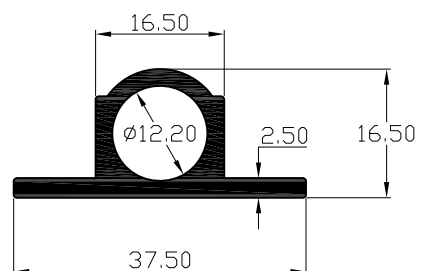
SECTION. NO	WT.Kgs/Mtr
728/4	0.138



SECTION. NO	WT.Kgs/Mtr
729	0.181

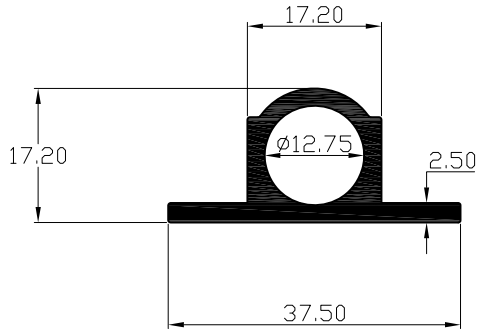


SECTION. NO	WT.Kgs/Mtr
730	0.494

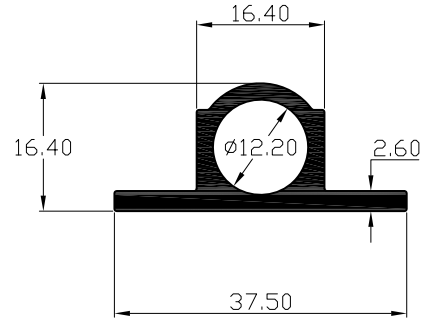


# PARAGON ALUMINIUM L.L.P

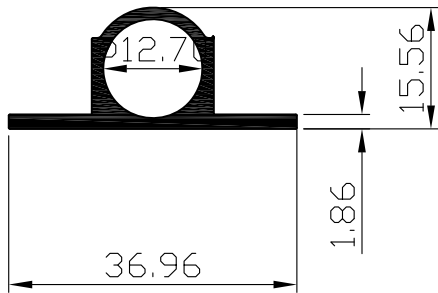
SECTION. NO	WT.Kgs/Mtr
730/1	0.517



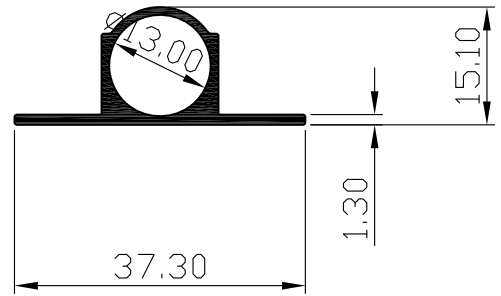
SECTION. NO	WT.Kgs/Mtr
730/2	0.493



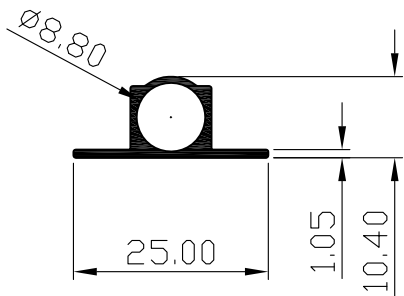
SECTION. NO	WT.Kgs/Mtr
730/3	0.359



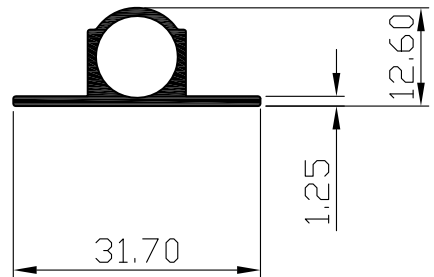
SECTION. NO	WT.Kgs/Mtr
730/4	0.274



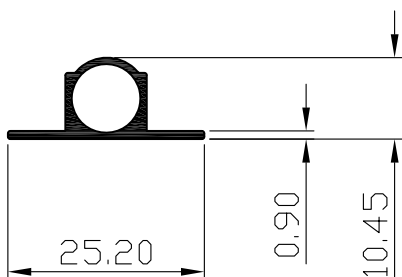
SECTION. NO	WT.Kgs/Mtr
731	0.150



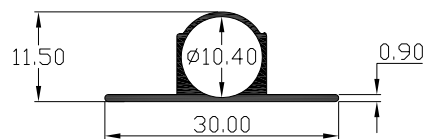
SECTION. NO	WT.Kgs/Mtr
732	0.219



SECTION. NO	WT.Kgs/Mtr
733	0.140

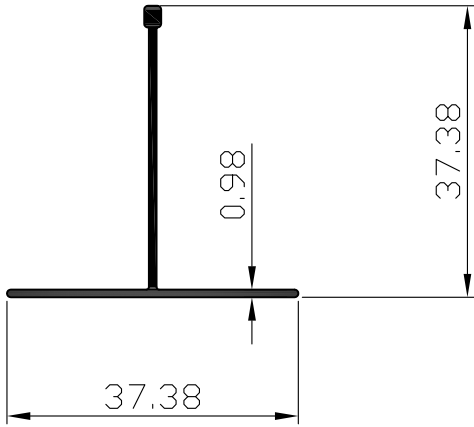


SECTION. NO	WT.Kgs/Mtr
734	0.506

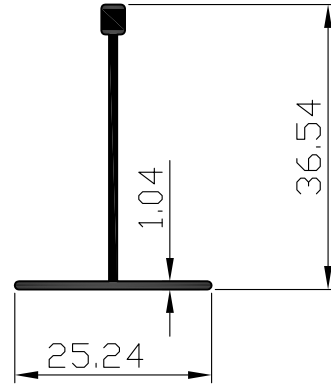


# PARAGON ALUMINIUM L.L.P

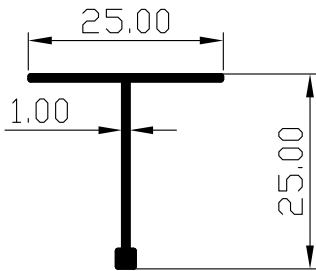
SECTION. NO	WT.Kgs/Mtr
1802	0.203



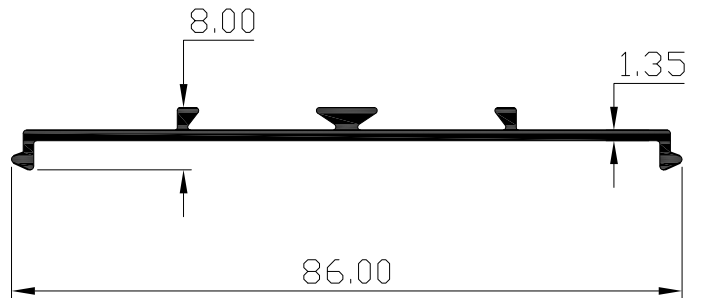
SECTION. NO	WT.Kgs/Mtr
1812	0.190



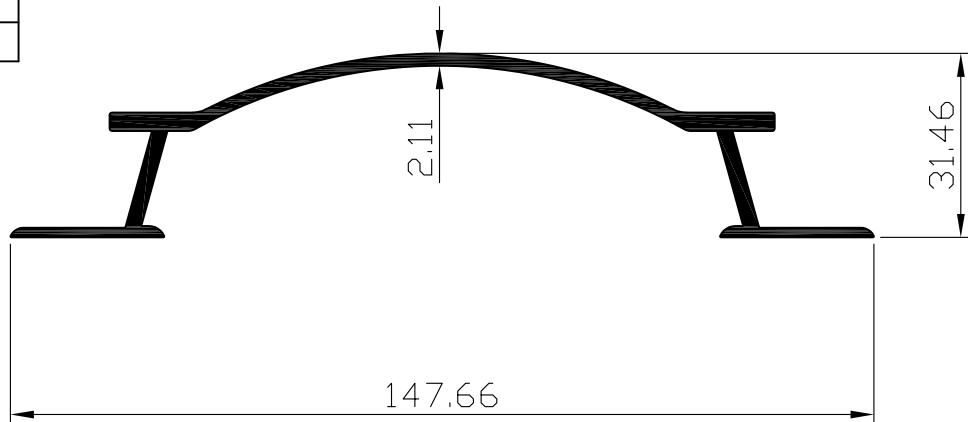
SECTION. NO	WT.Kgs/Mtr
1820	0.143



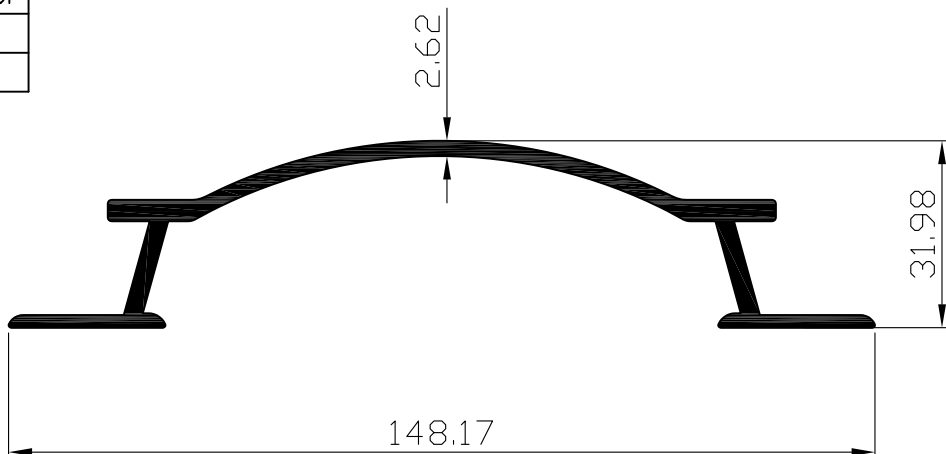
SECTION. NO	WT.Kgs/Mtr
1821	0.412



SECTION. NO	WT.Kgs/Mtr
1902	1.222

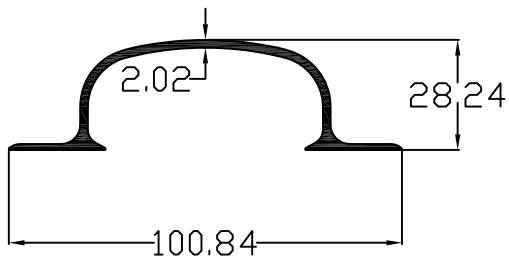


SECTION. NO	WT.Kgs/Mtr
1904	1.503

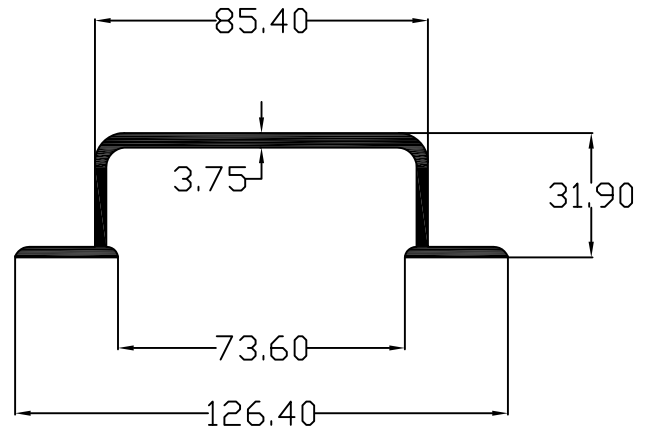


# PARAGON ALUMINIUM L.L.P

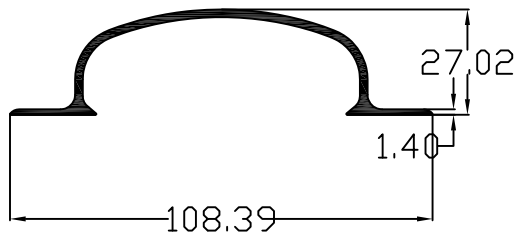
SECTION. NO	WT.Kgs/Mtr
1568	0.767



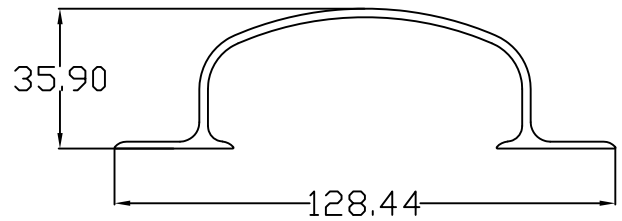
SECTION. NO	WT.Kgs/Mtr
1570	1.588



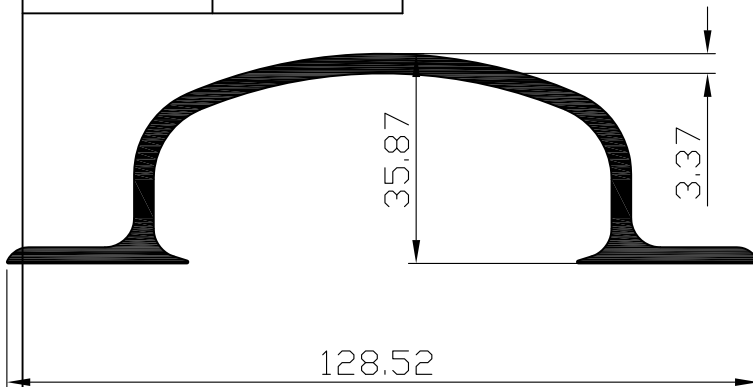
SECTION. NO	WT.Kgs/Mtr
1560/4	1.31287527



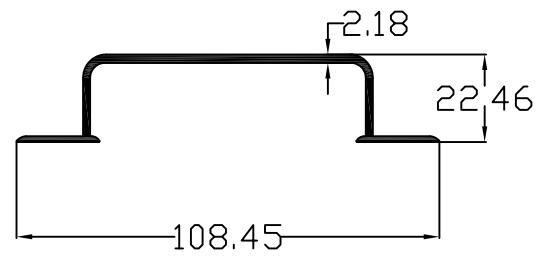
SECTION. NO	WT.Kgs/Mtr
1561	



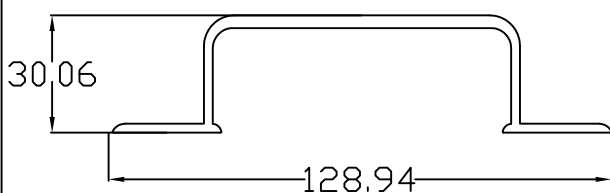
SECTION. NO	WT.Kgs/Mtr
1562	1.582



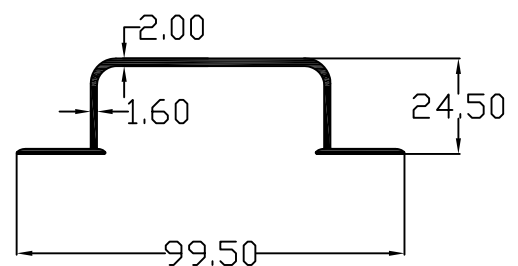
SECTION. NO	WT.Kgs/Mtr
1565	1.34127738



SECTION. NO	WT.Kgs/Mtr
1566	

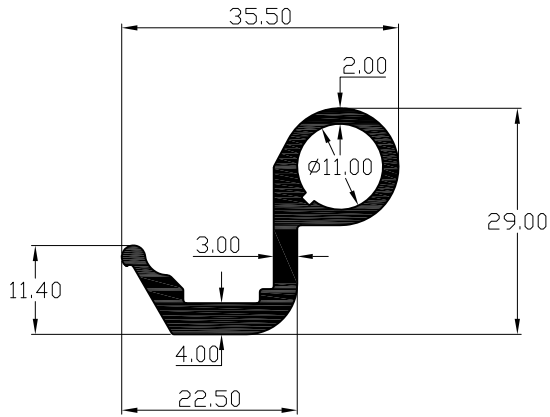


SECTION. NO	WT.Kgs/Mtr
1567	0.648

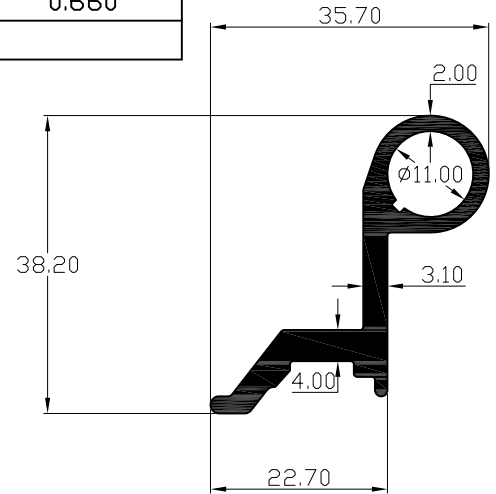


# PARAGON ALUMINIUM L.L.P

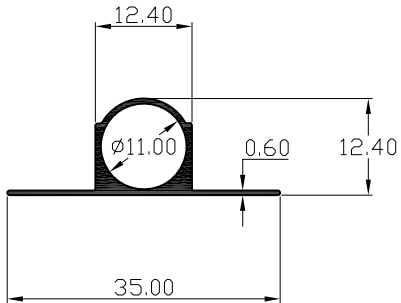
SECTION. NO	WT.Kgs/Mtr
29003	0.592



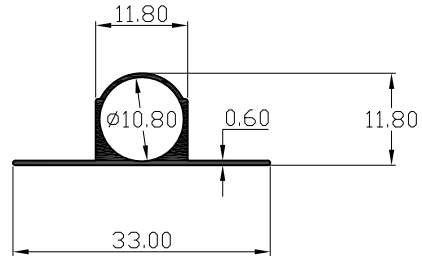
SECTION. NO	WT.Kgs/Mtr
29004	0.660



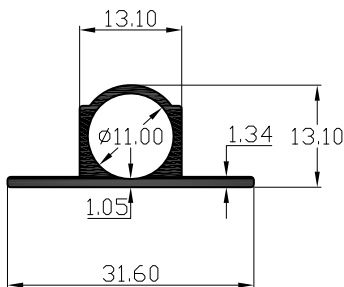
SECTION. NO	WT.Kgs/Mtr
29005	0.154



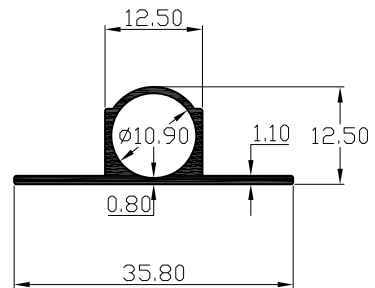
SECTION. NO	WT.Kgs/Mtr
29006	0.125



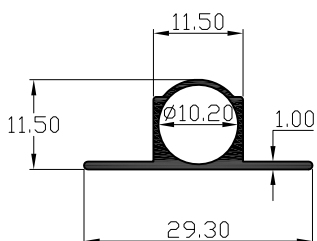
SECTION. NO	WT.Kgs/Mtr
29007	0.232
P-16	



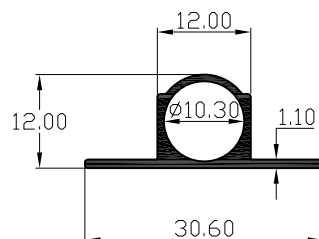
SECTION. NO	WT.Kgs/Mtr
29008	0.199
P-16	



SECTION. NO	WT.Kgs/Mtr
29009	0.152



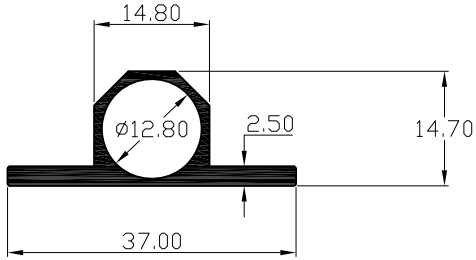
SECTION. NO	WT.Kgs/Mtr
29010	0.183



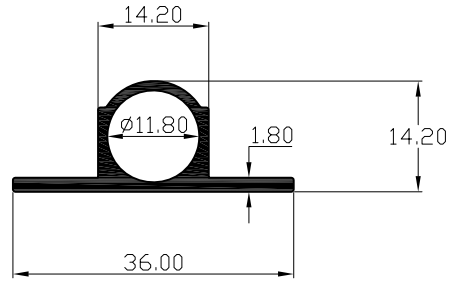


# PARAGON ALUMINIUM L.L.P

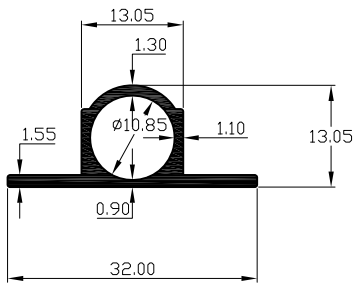
SECTION. NO	WT.Kgs/Mtr
29011	0.337
P-16	



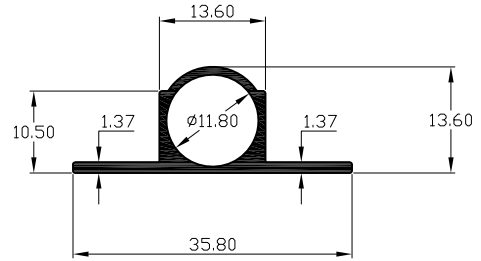
SECTION. NO	WT.Kgs/Mtr
29012	0.303



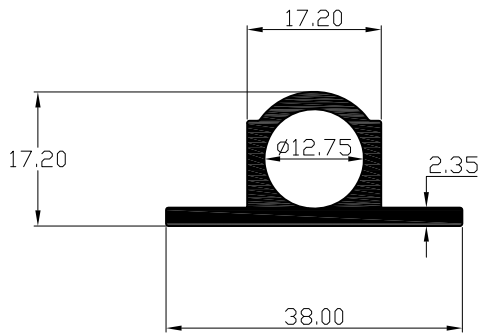
SECTION. NO	WT.Kgs/Mtr
29013	0.245
P-16	



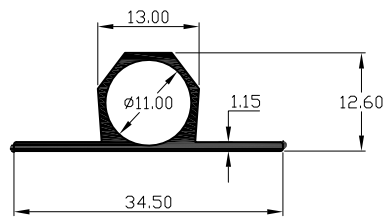
SECTION. NO	WT.Kgs/Mtr
29014	0.239
P-16	



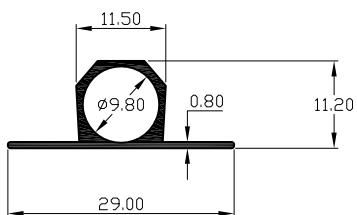
SECTION. NO	WT.Kgs/Mtr
29015	0.512
P-16	



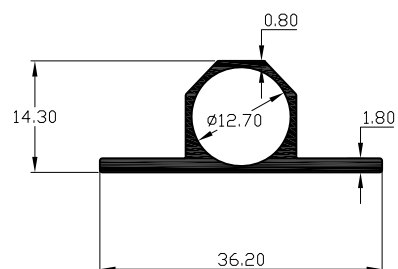
SECTION. NO	WT.Kgs/Mtr
29016	0.199



SECTION. NO	WT.Kgs/Mtr
29017	0.150

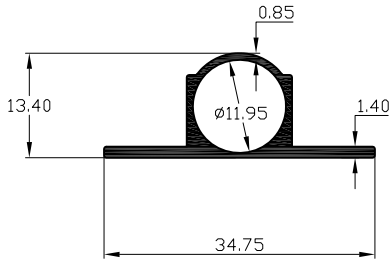


SECTION. NO	WT.Kgs/Mtr
29018	0.265

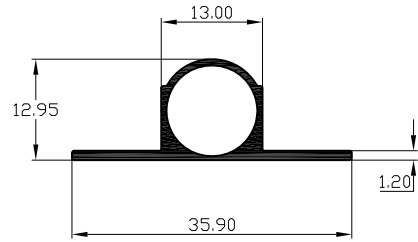


# PARAGON ALUMINIUM L.L.P

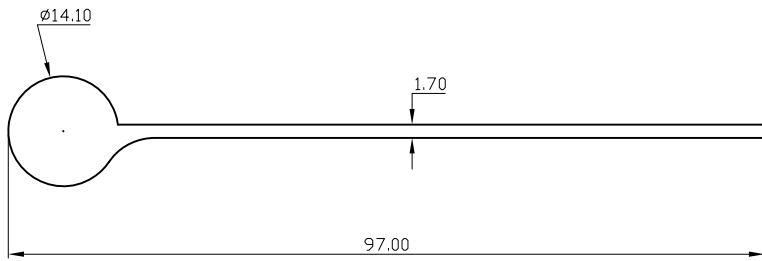
SECTION. NO	WT.Kgs/Mtr
29019	0.221
P-16	



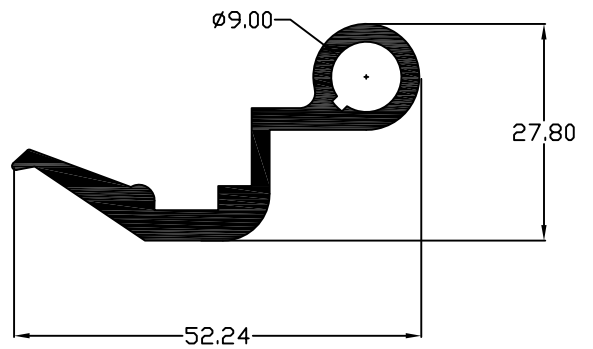
SECTION. NO	WT.Kgs/Mtr
29021	0.196



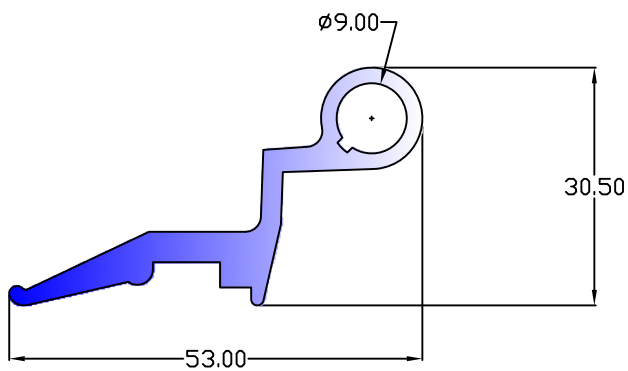
SECTION. NO	WT.Kgs/Mtr
29020	0.554



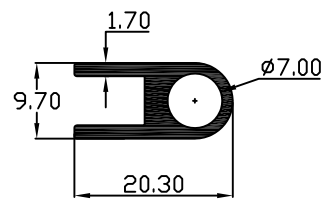
SECTION. NO	WT.Kgs/Mtr
29022	0.731



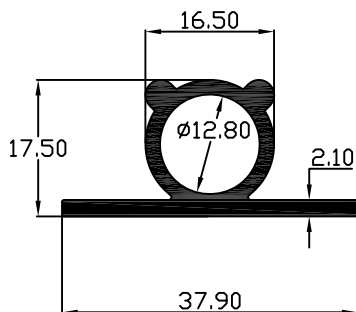
SECTION. NO	WT.Kgs/Mtr
29023	0.746



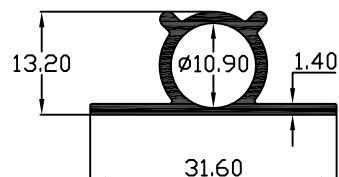
SECTION. NO	WT.Kgs/Mtr
29024	0.247



SECTION. NO	WT.Kgs/Mtr
29025	0.477
P-16	

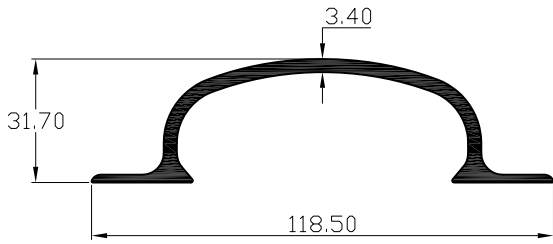


SECTION. NO	WT.Kgs/Mtr
29026	0.259

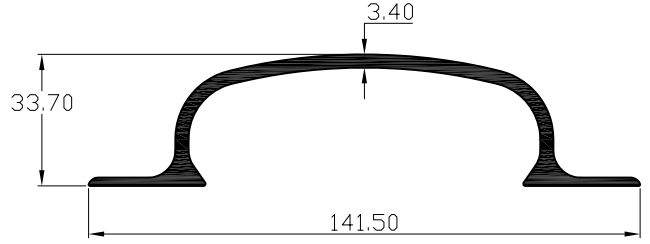


# PARAGON ALUMINIUM L.L.P

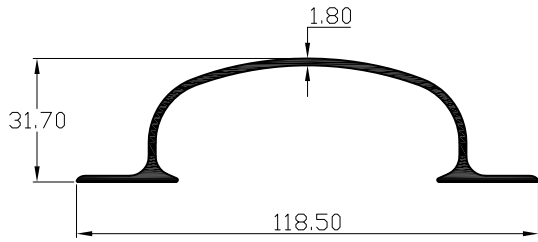
SECTION. NO	WT.Kgs/Mtr
05023	1.375
P-16	



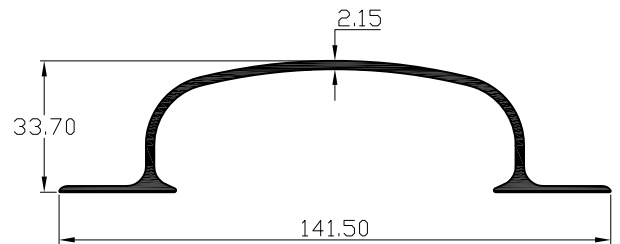
SECTION. NO	WT.Kgs/Mtr
05024	1.649



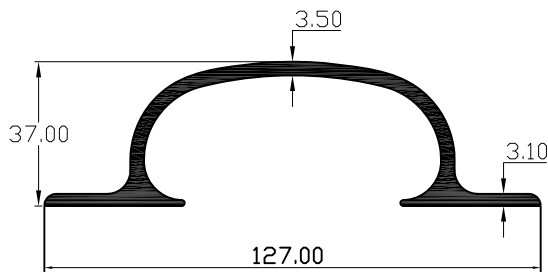
SECTION. NO	WT.Kgs/Mtr
5025	0.840
P-16	



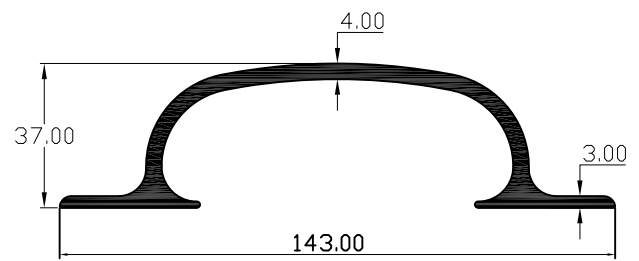
SECTION. NO	WT.Kgs/Mtr
5026	1.095



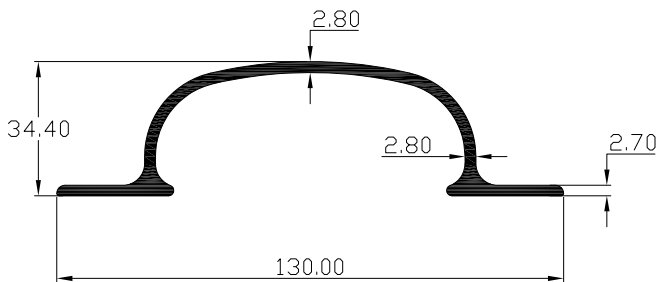
SECTION. NO	WT.Kgs/Mtr
5027	1.806



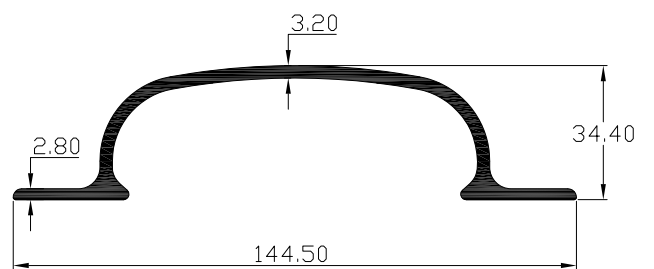
SECTION. NO	WT.Kgs/Mtr
5028	2.103



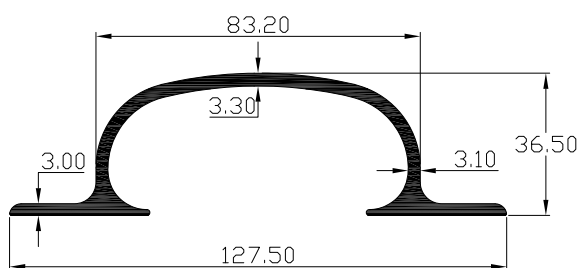
SECTION. NO	WT.Kgs/Mtr
5029	1.405



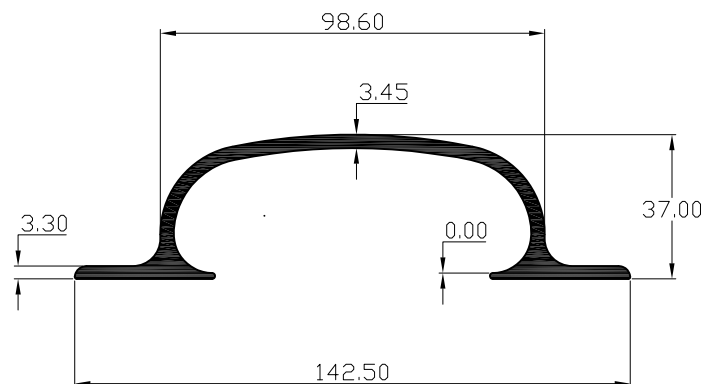
SECTION. NO	WT.Kgs/Mtr
5030	1.668



SECTION. NO	WT.Kgs/Mtr
5031	1.698

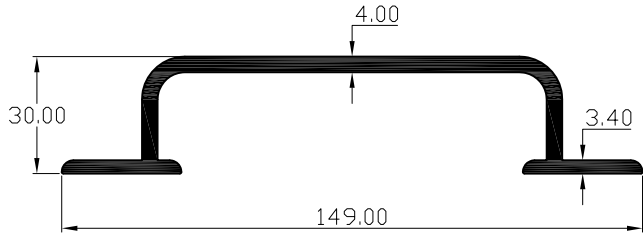


SECTION. NO	WT.Kgs/Mtr
5032	1.965

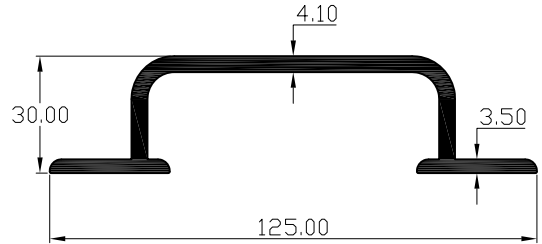


# PARAGON ALUMINIUM L.L.P

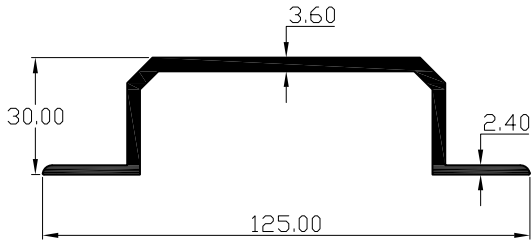
SECTION. NO	WT.Kgs/Mtr
5071	2.111



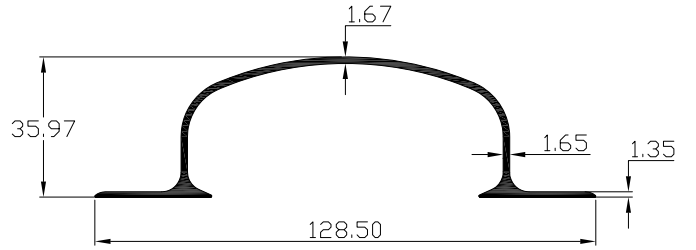
SECTION. NO	WT.Kgs/Mtr
5072	1.890



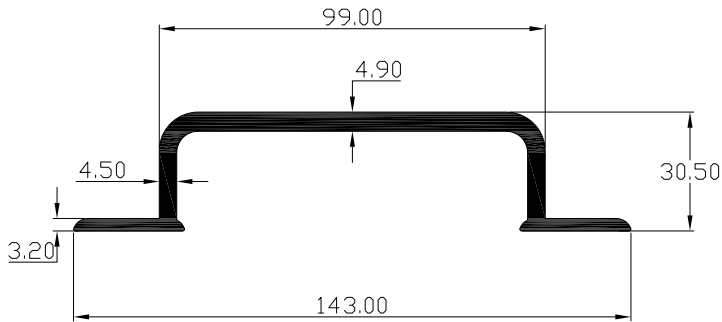
SECTION. NO	WT.Kgs/Mtr
5073	1.482



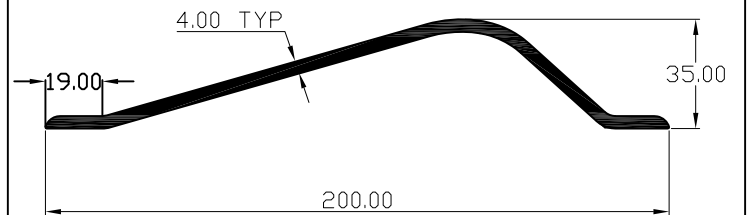
SECTION. NO	WT.Kgs/Mtr
5074	0.847



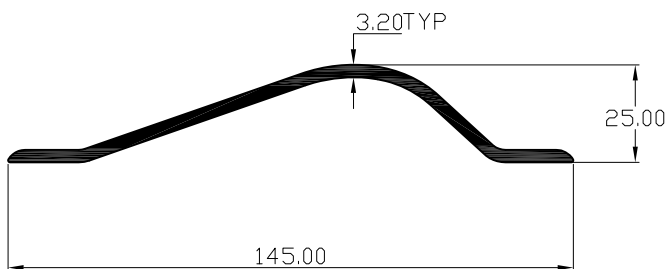
SECTION. NO	WT.Kgs/Mtr
5075	2.237



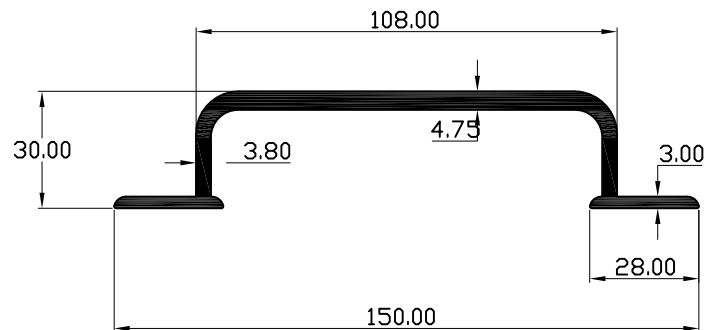
SECTION. NO	WT.Kgs/Mtr
5076	2.297



SECTION. NO	WT.Kgs/Mtr
5077	1.327

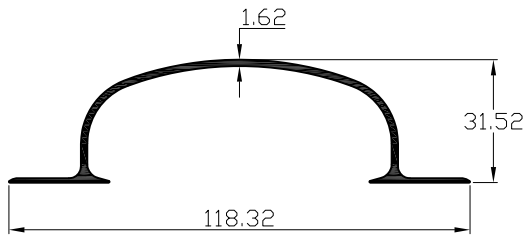


SECTION. NO	WT.Kgs/Mtr
5078	2.191

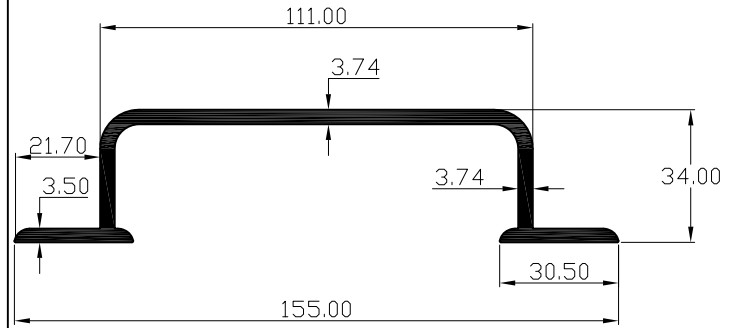


# PARAGON ALUMINIUM L.L.P

SECTION. NO	WT.Kgs/Mtr
5079	0.686



SECTION. NO	WT.Kgs/Mtr
5080	2.133



SECTION. NO	WT.Kgs/Mtr

SECTION. NO	WT.Kgs/Mtr

SECTION. NO	WT.Kgs/Mtr

SECTION. NO	WT.Kgs/Mtr

SECTION. NO	WT.Kgs/Mtr

SECTION. NO	WT.Kgs/Mtr