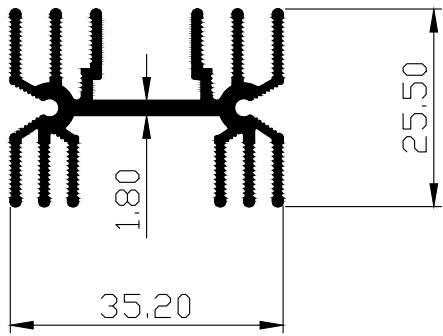
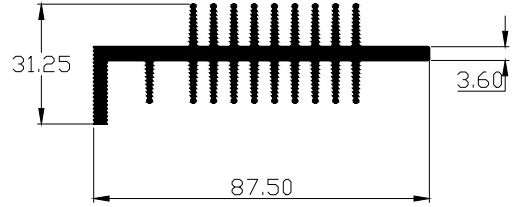


PARAGON ALUMINIUM L.L.P

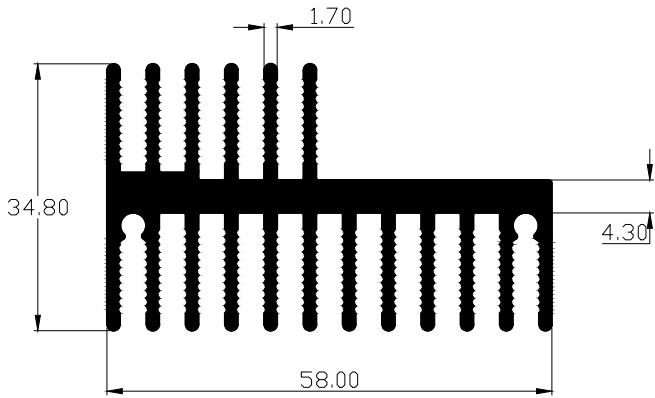
SECTION. NO	WT.Kgs/Mtr
06001	0.610



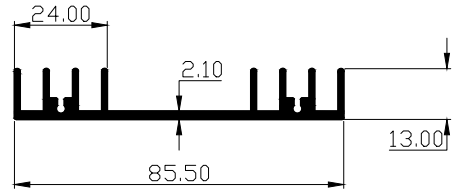
SECTION. NO	WT.Kgs/Mtr
06002	1.646
P-16	



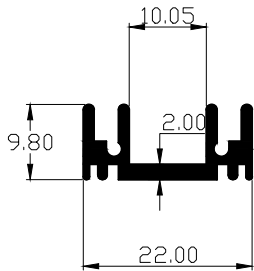
SECTION. NO	WT.Kgs/Mtr
06003	1.819



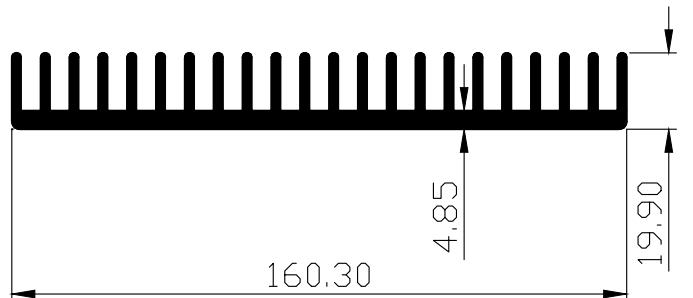
SECTION. NO	WT.Kgs/Mtr
06004	0.885



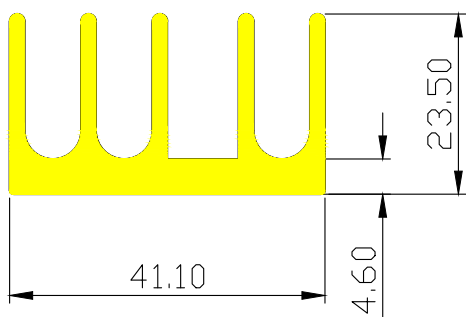
SECTION. NO	WT.Kgs/Mtr
06005	0.236



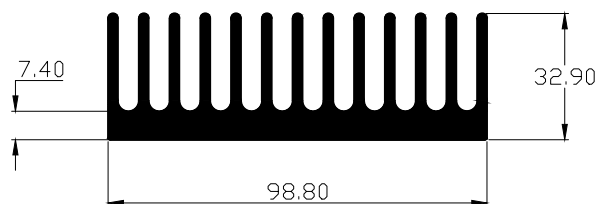
SECTION. NO	WT.Kgs/Mtr
06006	4.208
P-16	



SECTION. NO	WT.Kgs/Mtr
06007	1.045

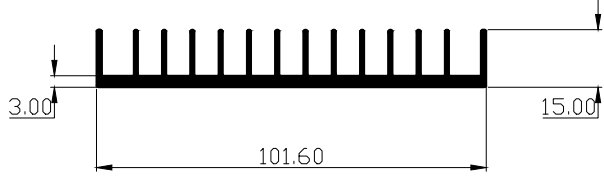


SECTION. NO	WT.Kgs/Mtr
06008	4.336
P-16	

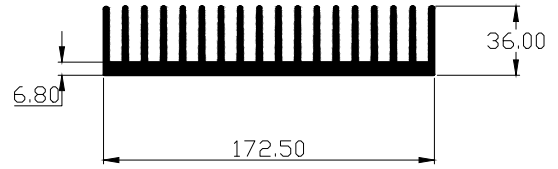


PARAGON ALUMINIUM L.L.P

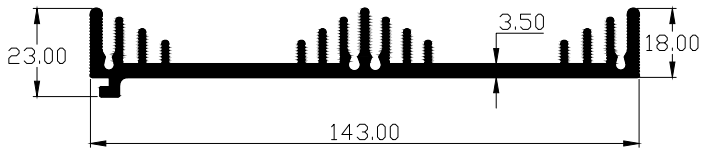
SECTION. NO	WT.Kgs/Mtr
06009	1.337
P-16	



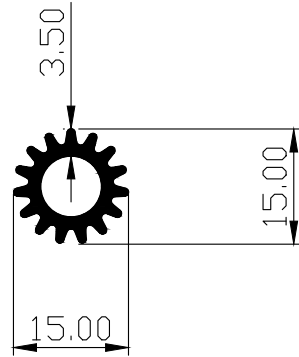
SECTION. NO	WT.Kgs/Mtr
06010	6.136
P-16	



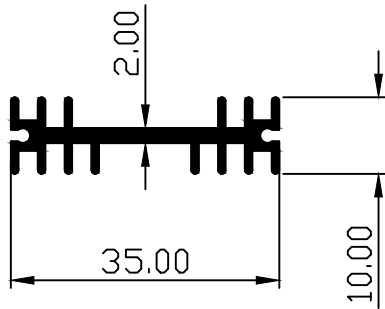
SECTION. NO	WT.Kgs/Mtr
06011	2.078
P-16	



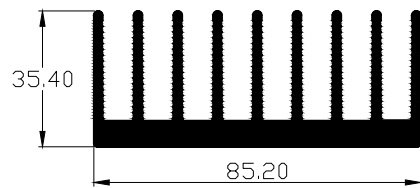
SECTION. NO	WT.Kgs/Mtr
06012	0.215



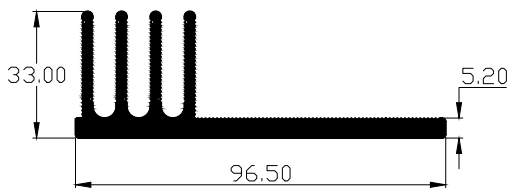
SECTION. NO	WT.Kgs/Mtr
06013	0.342



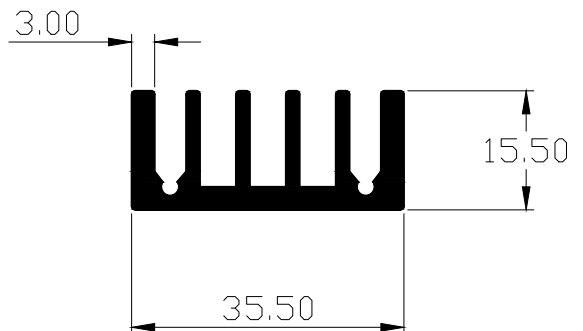
SECTION. NO	WT.Kgs/Mtr
06014	3.101
P-16	



SECTION. NO	WT.Kgs/Mtr
06015	2.076
P-16	

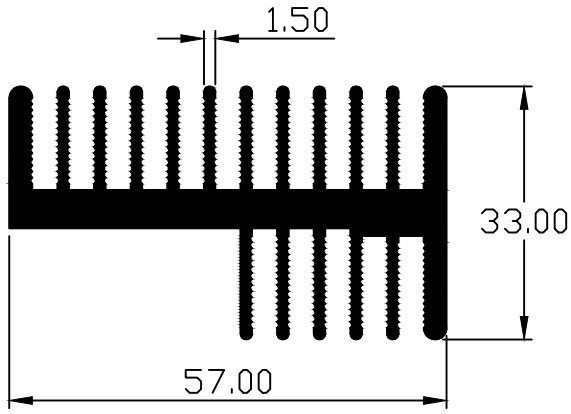


SECTION. NO	WT.Kgs/Mtr
06016	0.734

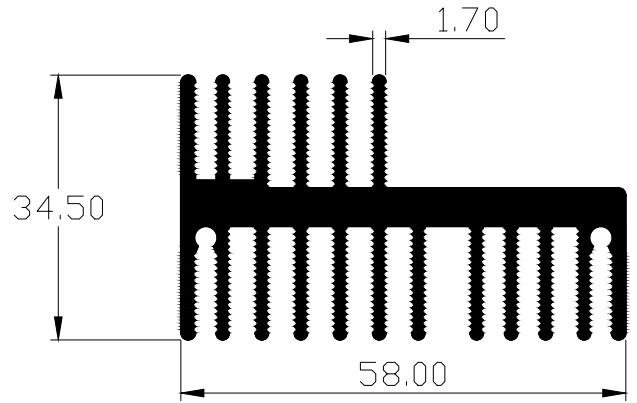


PARAGON ALUMINIUM L.L.P

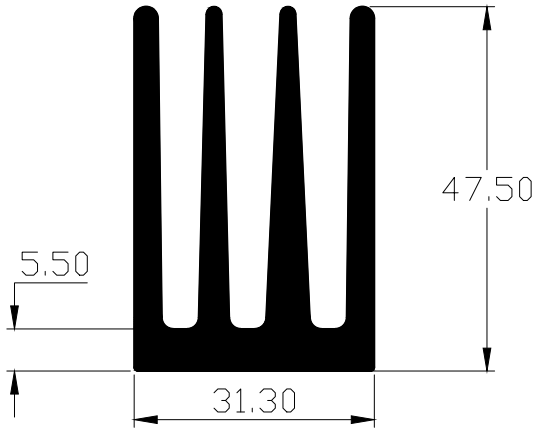
SECTION. NO	WT.Kgs/Mtr
06017	1.798
P-16	



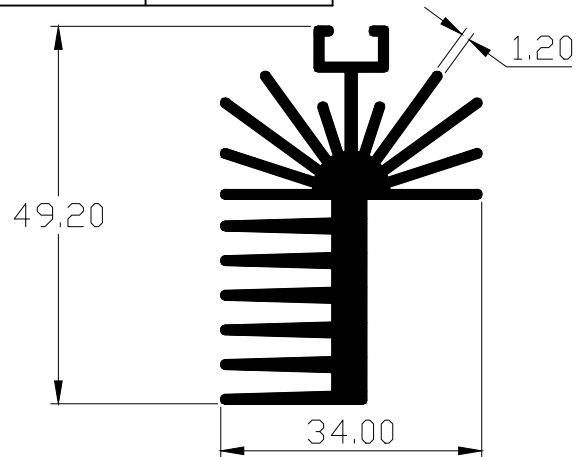
SECTION. NO	WT.Kgs/Mtr
06018	1.799
P-16	



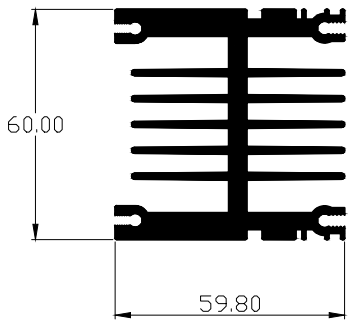
SECTION. NO	WT.Kgs/Mtr
06019	2.00
P-16	



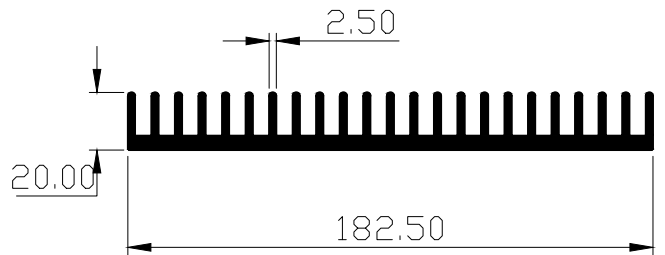
SECTION. NO	WT.Kgs/Mtr
06020	1.329
P-16	



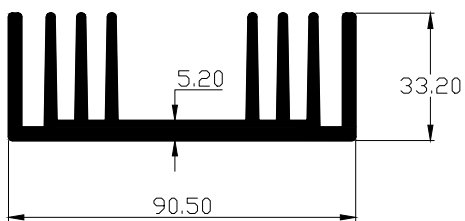
SECTION. NO	WT.Kgs/Mtr
06021	3.766
P-16	



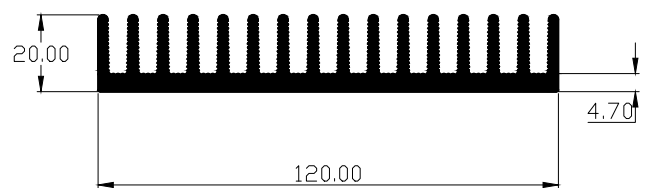
SECTION. NO	WT.Kgs/Mtr
06022	4.750
P-16	



SECTION. NO	WT.Kgs/Mtr
06023	2.933
P-16	

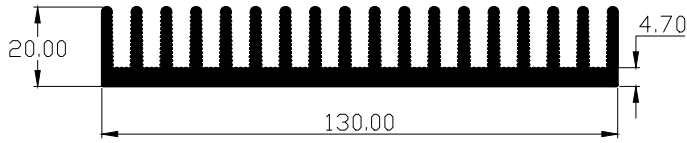


SECTION. NO	WT.Kgs/Mtr
06024	3.101
P-16	

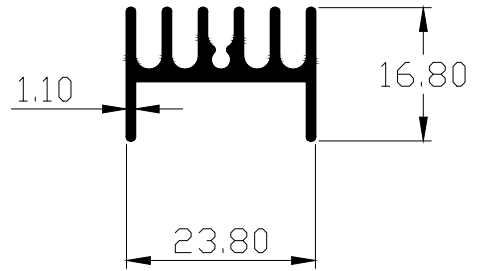


PARAGON ALUMINIUM L.L.P

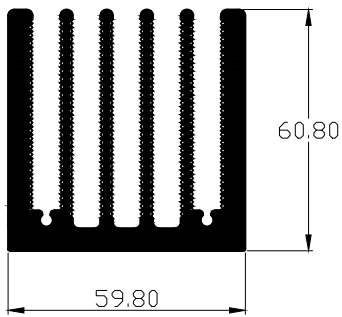
SECTION. NO	WT.Kgs/Mtr
06025	3.409
P-16	



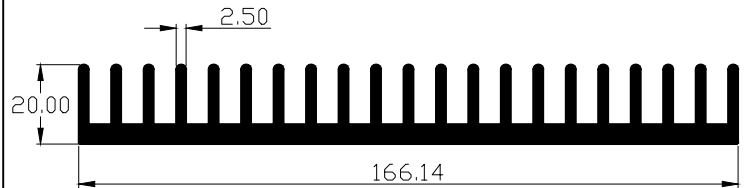
SECTION. NO	WT.Kgs/Mtr
06026	0.304



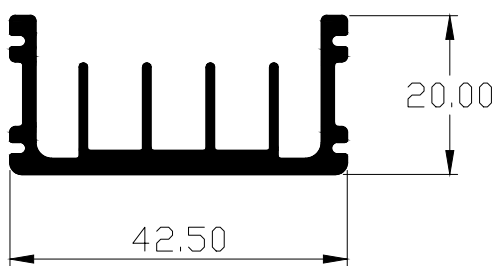
SECTION. NO	WT.Kgs/Mtr
06027	4.438
P-16	



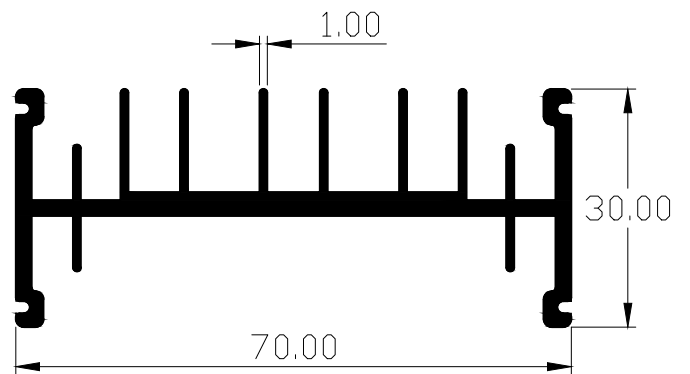
SECTION. NO	WT.Kgs/Mtr
06028	4.330
P-16	



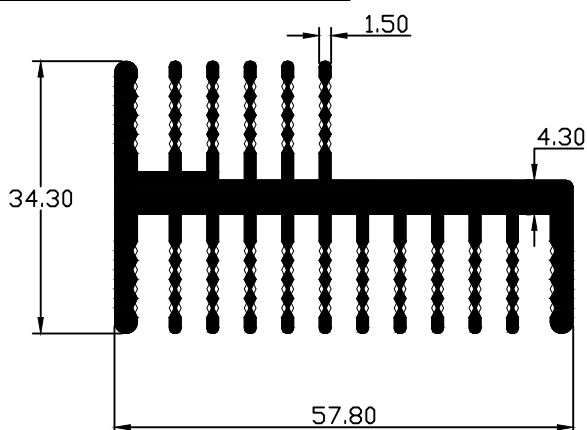
SECTION. NO	WT.Kgs/Mtr
06029	0.623
P-16	



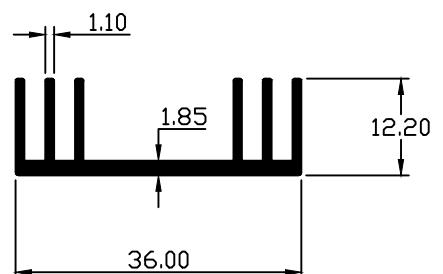
SECTION. NO	WT.Kgs/Mtr
06030	1.121
P-16	



SECTION. NO	WT.Kgs/Mtr
06031	1.810
P-16	

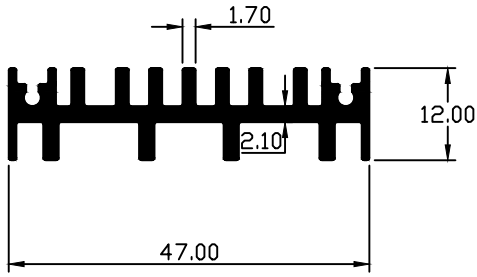


SECTION. NO	WT.Kgs/Mtr
06032	0.363

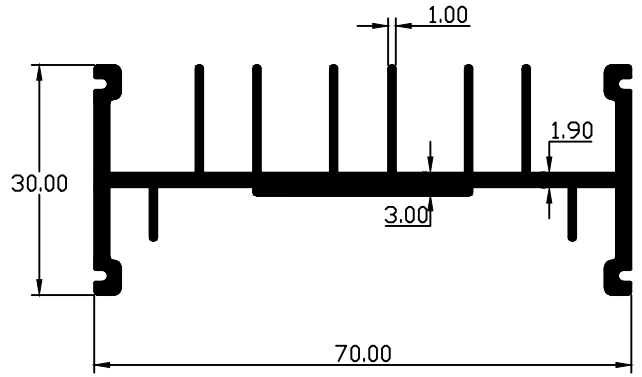


PARAGON ALUMINIUM L.L.P

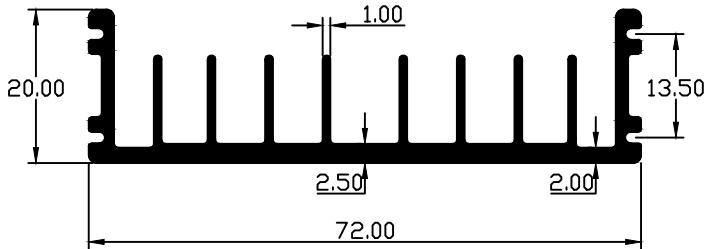
SECTION. NO	WT.Kgs/Mtr
06033	0.649



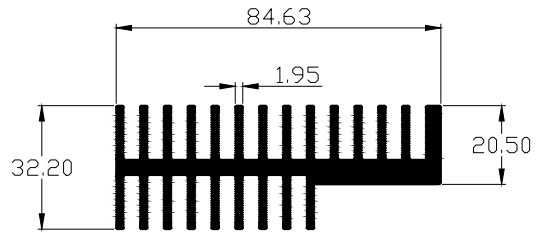
SECTION. NO	WT.Kgs/Mtr
06034	1.052
P-16	



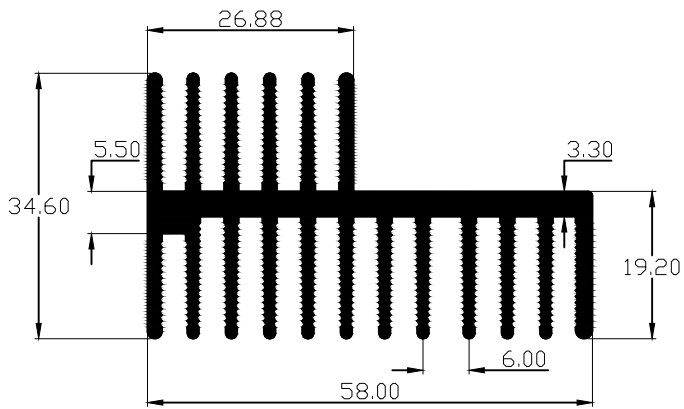
SECTION. NO	WT.Kgs/Mtr
6035	0.921
P-16	



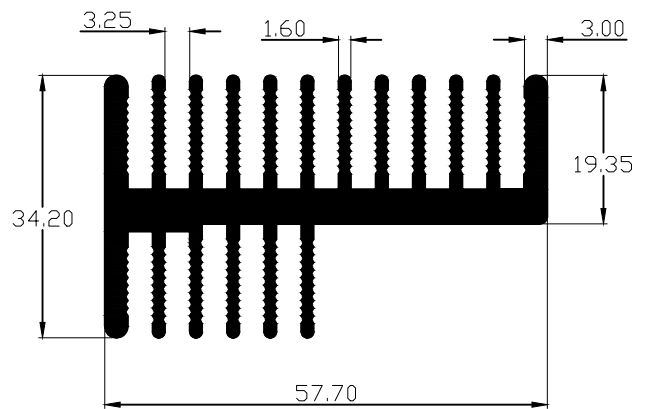
SECTION. NO	WT.Kgs/Mtr
06036	2.713
P-16	



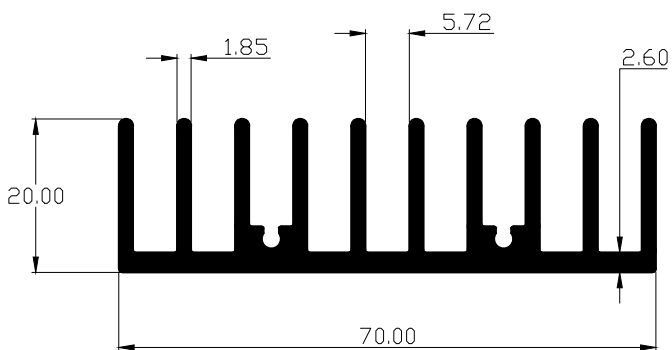
SECTION. NO	WT.Kgs/Mtr
6037	1.702
P-16	



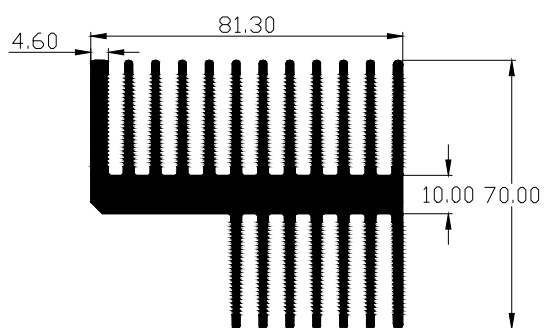
SECTION. NO	WT.Kgs/Mtr
6038	1.887
P-16	



SECTION. NO	WT.Kgs/Mtr
6039	1.455
P-16	

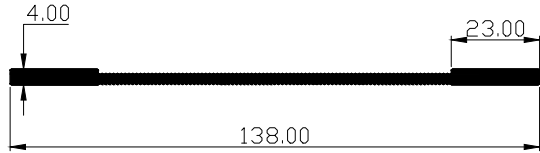


SECTION. NO	WT.Kgs/Mtr
6040	5.549
P-16	

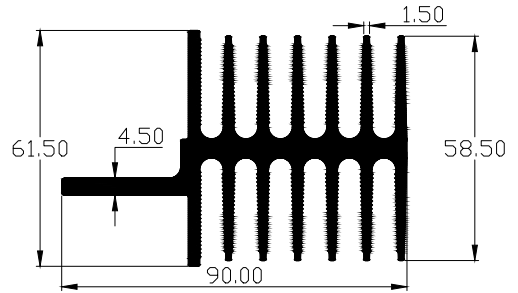


PARAGON ALUMINIUM L.L.P

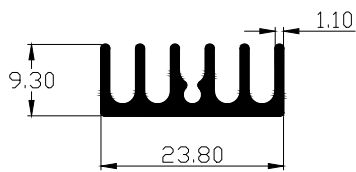
SECTION. NO	WT.Kgs/Mtr
6041	1.167
P-16	



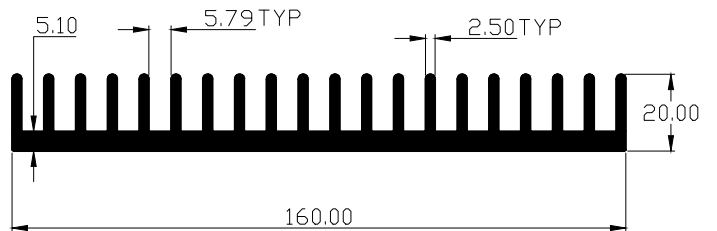
SECTION. NO	WT.Kgs/Mtr
6042	3.964
P-16	



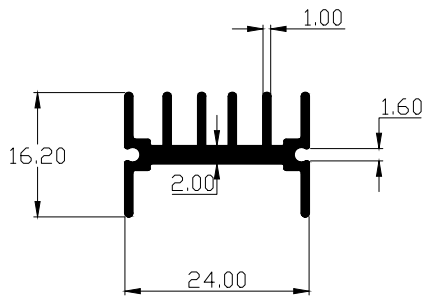
SECTION. NO	WT.Kgs/Mtr
6043	0.260



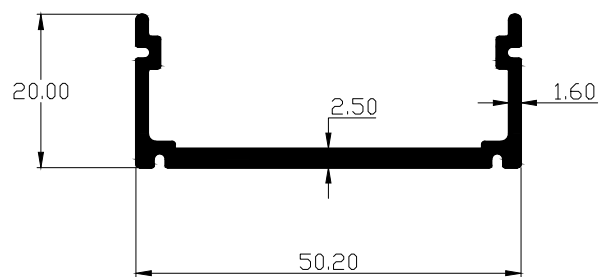
SECTION. NO	WT.Kgs/Mtr
6044	4.178
P-16	



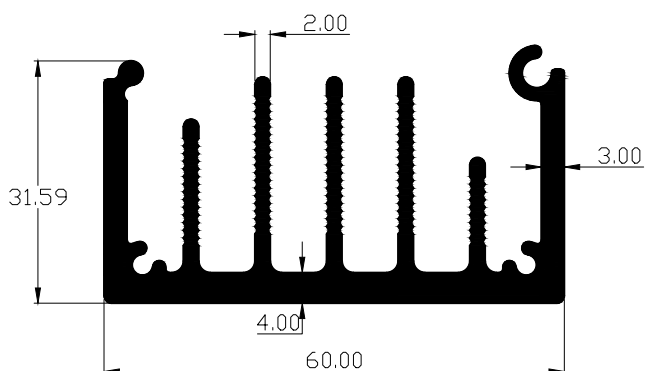
SECTION. NO	WT.Kgs/Mtr
6045	0.287



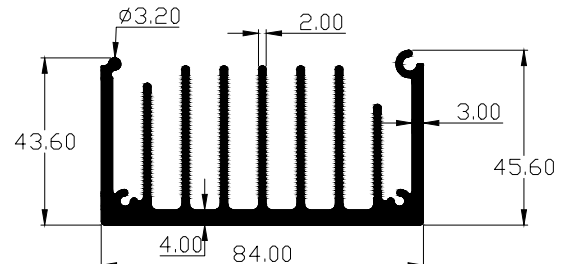
SECTION. NO	WT.Kgs/Mtr
6046	0.514
P-16	



SECTION. NO	WT.Kgs/Mtr
6047	1.712
P-16	

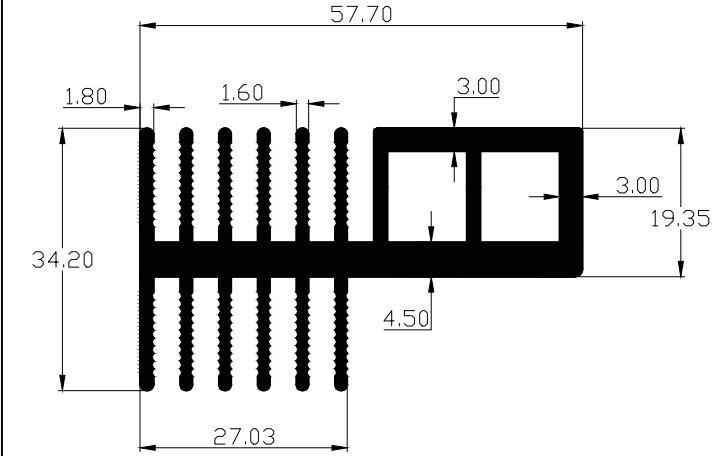


SECTION. NO	WT.Kgs/Mtr
6048	2.885
P-16	

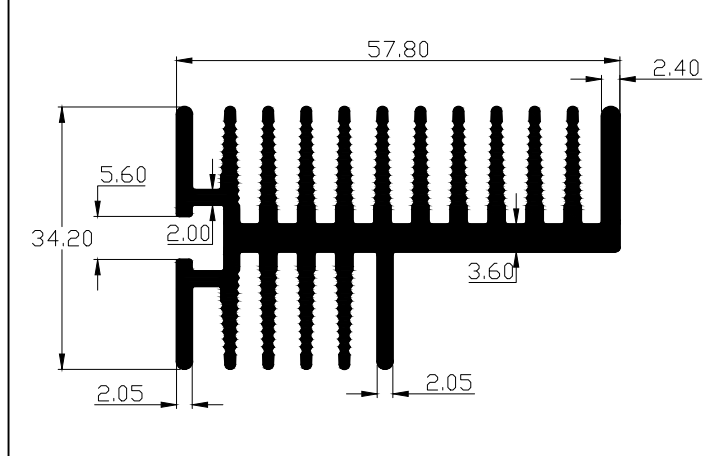


PARAGON ALUMINIUM L.L.P

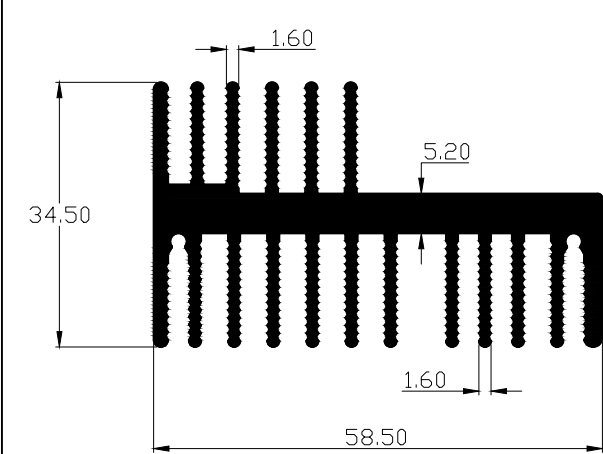
SECTION. NO	WT.Kgs/Mtr
6049	1.810
P-16	



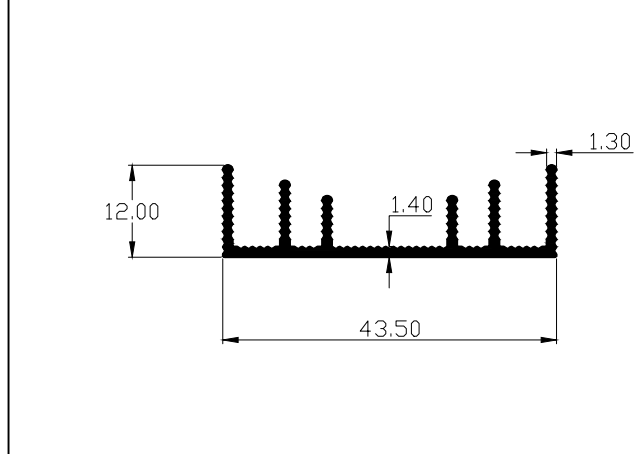
SECTION. NO	WT.Kgs/Mtr
6050	1.797
P-16	



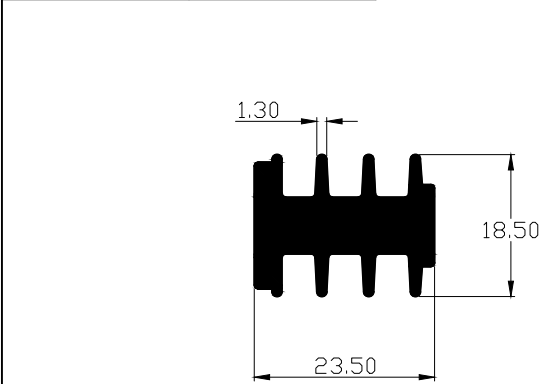
SECTION. NO	WT.Kgs/Mtr
6051	1.869
P-16	



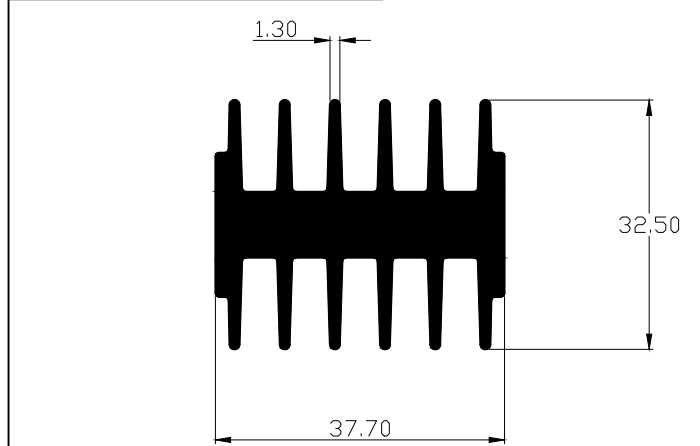
SECTION. NO	WT.Kgs/Mtr
6052	0.294



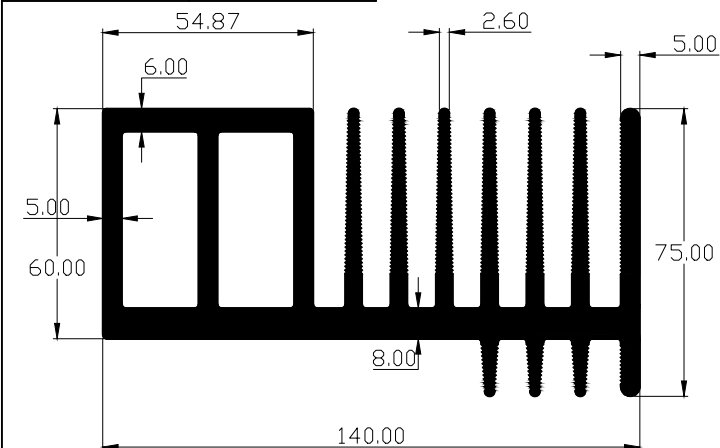
SECTION. NO	WT.Kgs/Mtr
6053	0.714



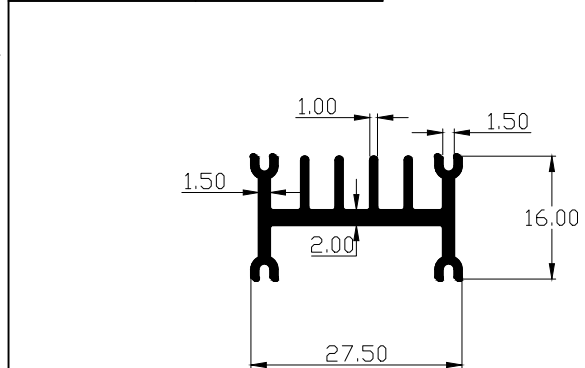
SECTION. NO	WT.Kgs/Mtr
6054	1.589



SECTION. NO	WT.Kgs/Mtr
6055	9.843

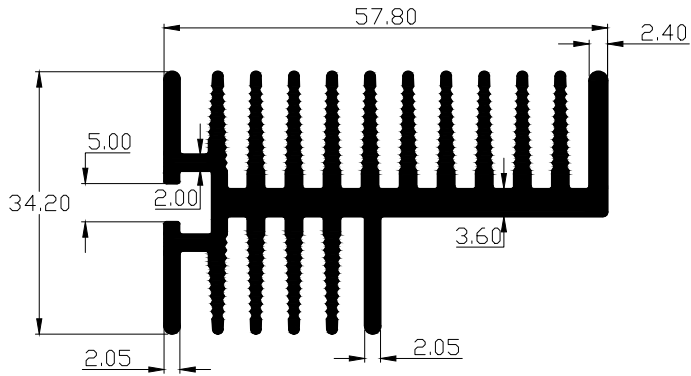


SECTION. NO	WT.Kgs/Mtr
6056	0.347

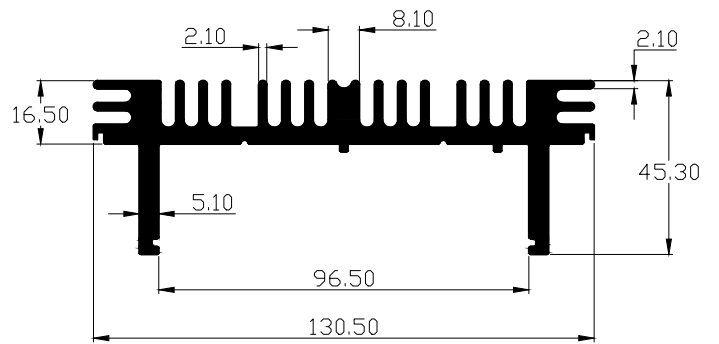


PARAGON ALUMINIUM L.L.P

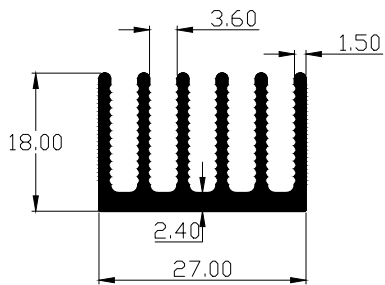
SECTION. NO	WT.Kgs/Mtr
6057	1.797



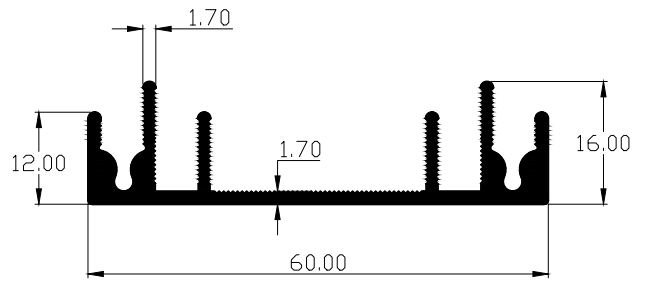
SECTION. NO	WT.Kgs/Mtr
6058	4.158
P-16	



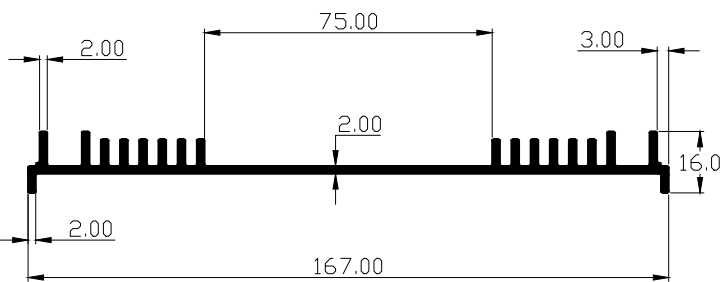
SECTION. NO	WT.Kgs/Mtr
6059	0.503



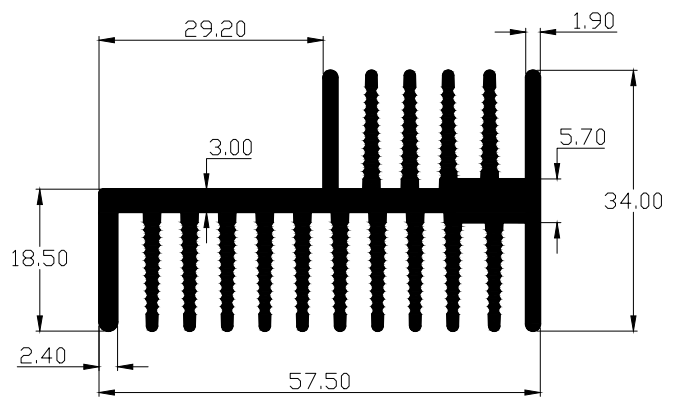
SECTION. NO	WT.Kgs/Mtr
6060	0.612
P-16	



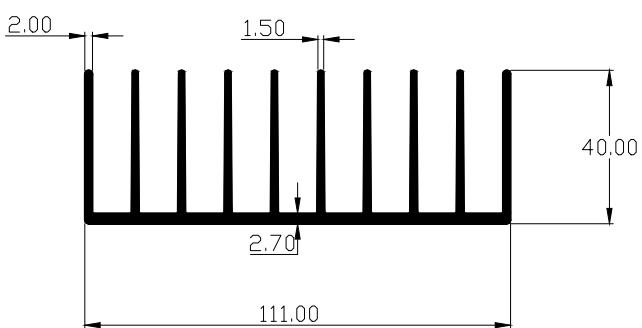
SECTION. NO	WT.Kgs/Mtr
6061	1.607



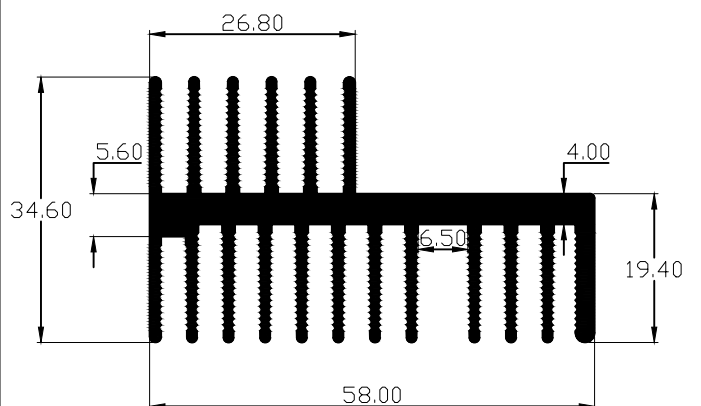
SECTION. NO	WT.Kgs/Mtr
6062	1.754
P-16	



SECTION. NO	WT.Kgs/Mtr
6063	2.612
P-16	

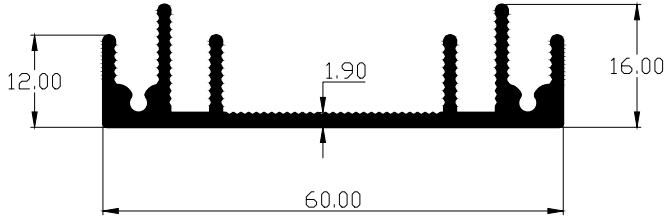


SECTION. NO	WT.Kgs/Mtr
6064	1.617
P-16	

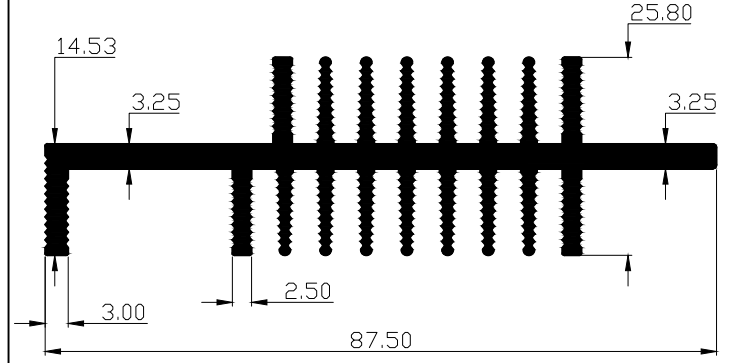


PARAGON ALUMINIUM L.L.P

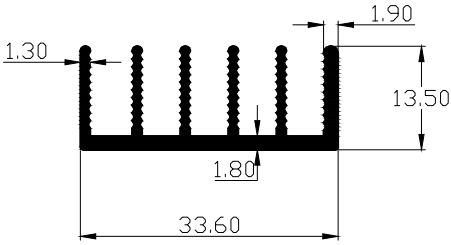
SECTION. NO	WT.Kgs/Mtr
6065	0.618
P-16	



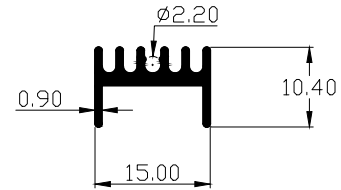
SECTION. NO	WT.Kgs/Mtr
6066	1.652
P-16	



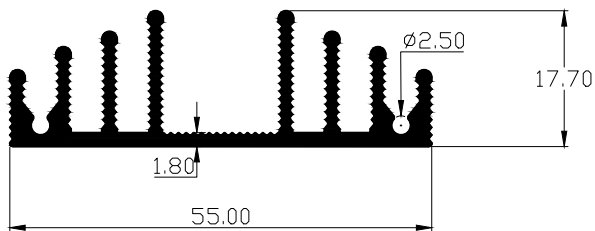
SECTION. NO	WT.Kgs/Mtr
6067	0.384



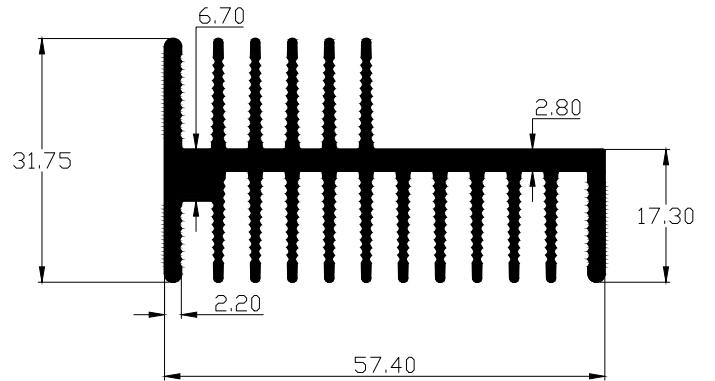
SECTION. NO	WT.Kgs/Mtr
6068	0.144



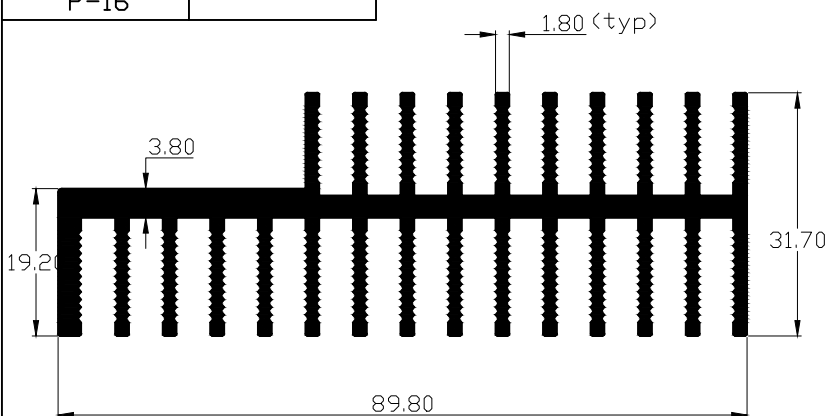
SECTION. NO	WT.Kgs/Mtr
6069	0.663



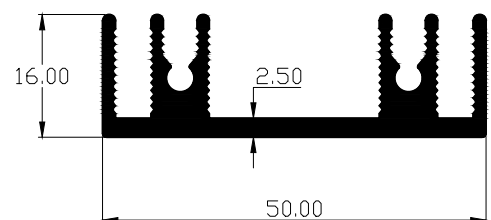
SECTION. NO	WT.Kgs/Mtr
6070	1.396
P-16	



SECTION. NO	WT.Kgs/Mtr
6071	2.323
P-16	

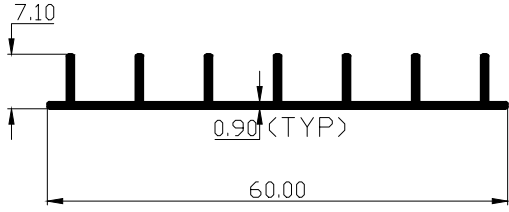


SECTION. NO	WT.Kgs/Mtr
6072	0.756

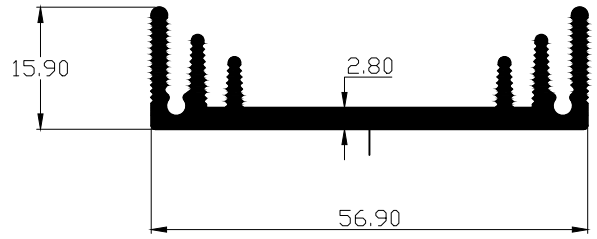


PARAGON ALUMINIUM L.L.P

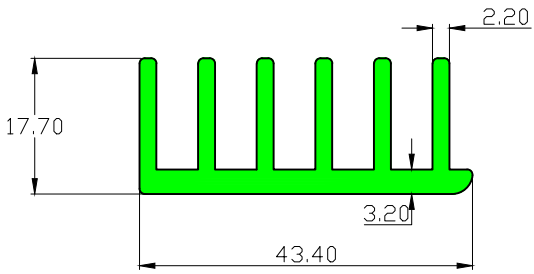
SECTION. NO	WT.Kgs/Mtr
6073	0.262



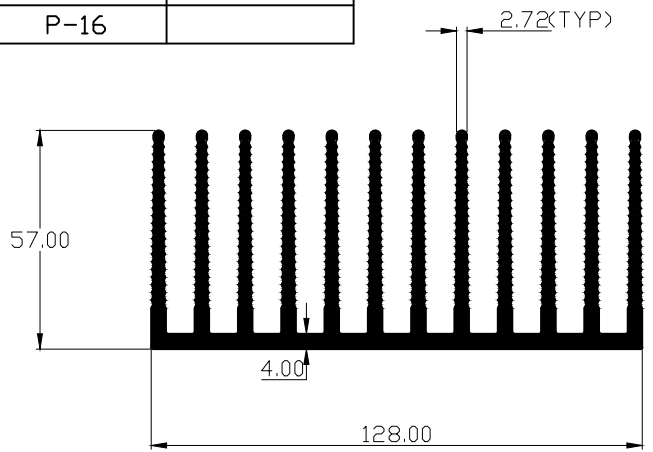
SECTION. NO	WT.Kgs/Mtr
6074	0.687



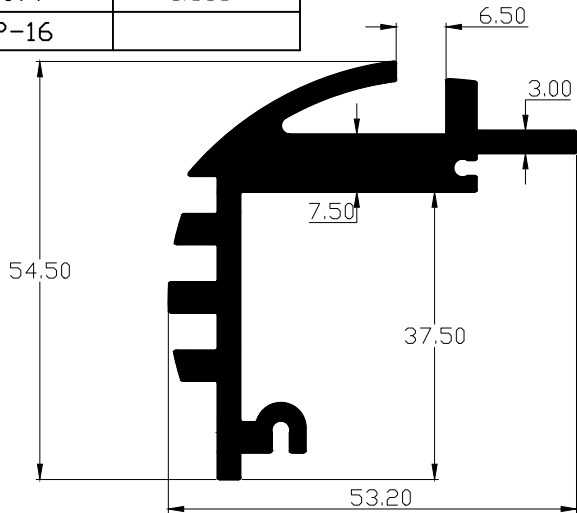
SECTION. NO	WT.Kgs/Mtr
6075	0.883
P-16	



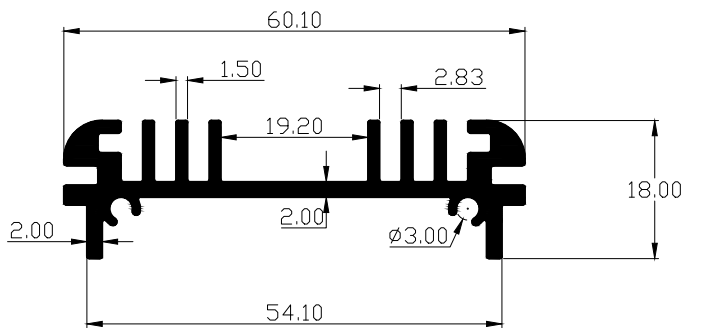
SECTION. NO	WT.Kgs/Mtr
6076	6.406
P-16	



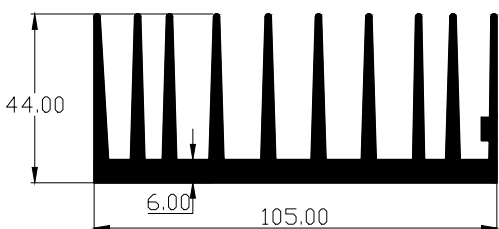
SECTION. NO	WT.Kgs/Mtr
6077	1.616
P-16	



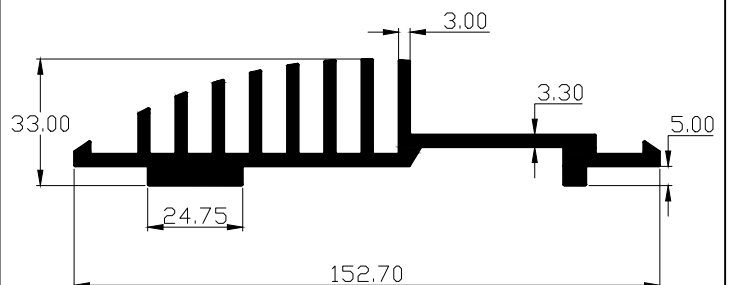
SECTION. NO	WT.Kgs/Mtr
6078	0.849
P-16	



SECTION. NO	WT.Kgs/Mtr
6079	4.273

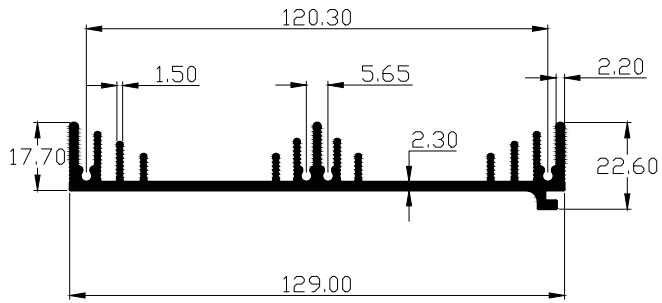


SECTION. NO	WT.Kgs/Mtr
6080	3.284

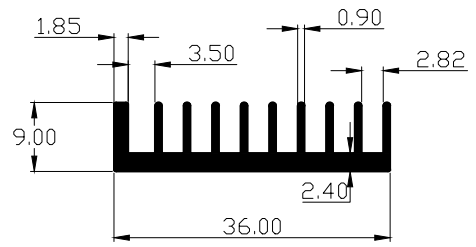


PARAGON ALUMINIUM L.L.P

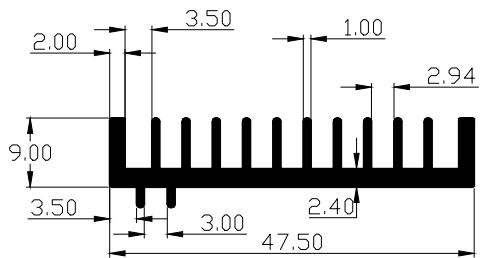
SECTION. NO	WT.Kgs/Mtr
6081	1.483
P-16	



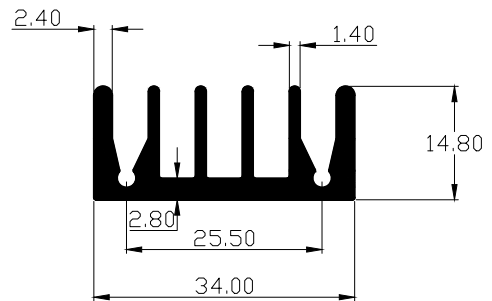
SECTION. NO	WT.Kgs/Mtr
6082	0.408



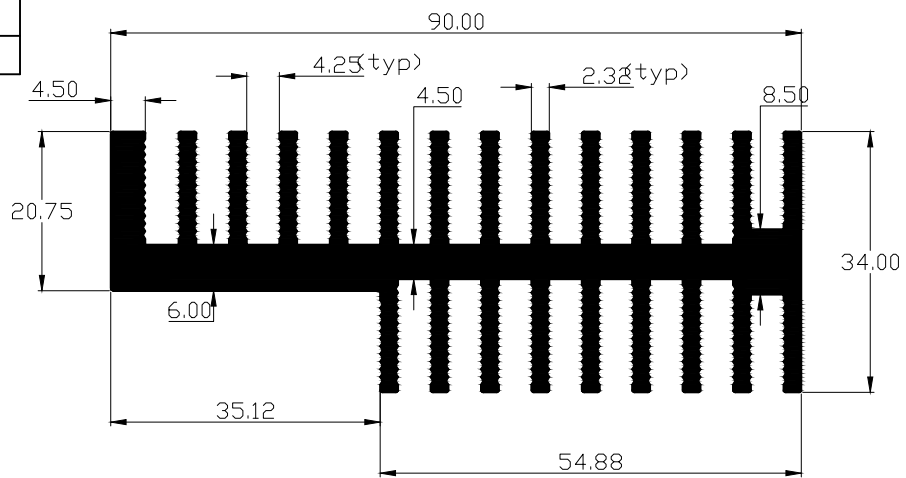
SECTION. NO	WT.Kgs/Mtr
6083	0.567



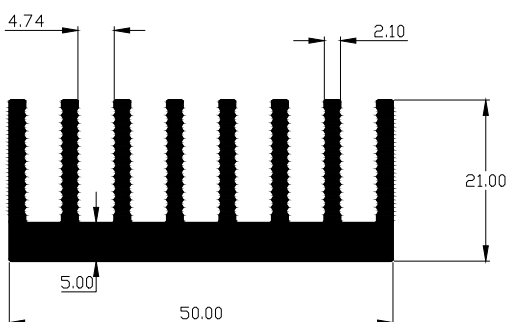
SECTION. NO	WT.Kgs/Mtr
6084	0.623
P-16	



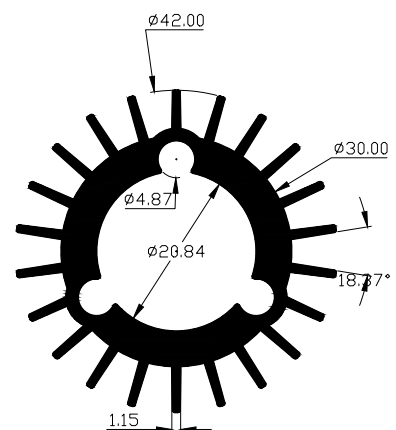
SECTION. NO	WT.Kgs/Mtr
6085	3.268
P-16	



SECTION. NO	WT.Kgs/Mtr
6086	1.321
P-16	

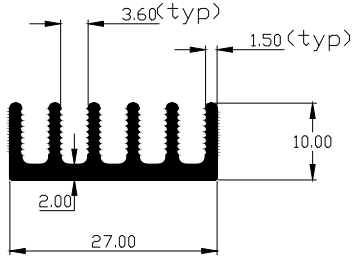


SECTION. NO	WT.Kgs/Mtr
6087	1.247
P-16	

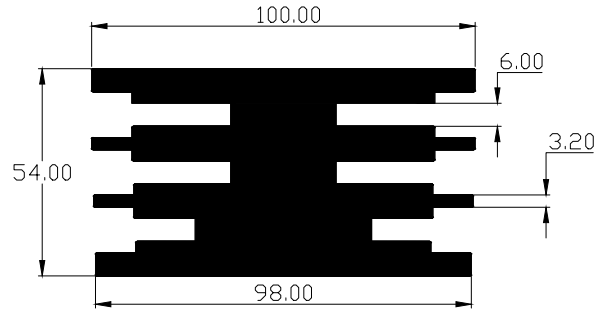


PARAGON ALUMINIUM L.L.P

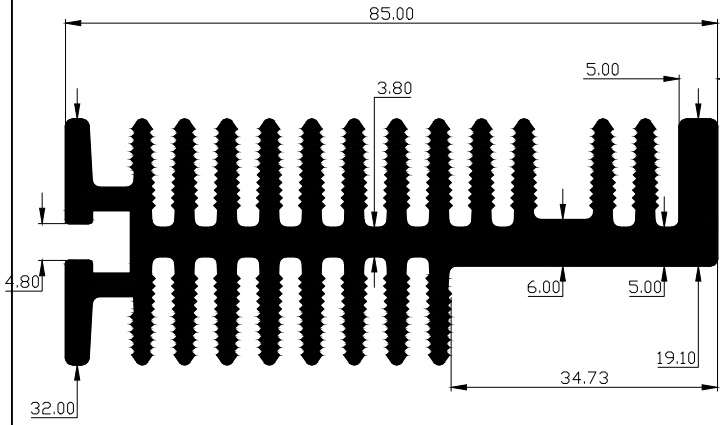
SECTION. NO	WT.Kgs/Mtr
6088	0.317
P-16	



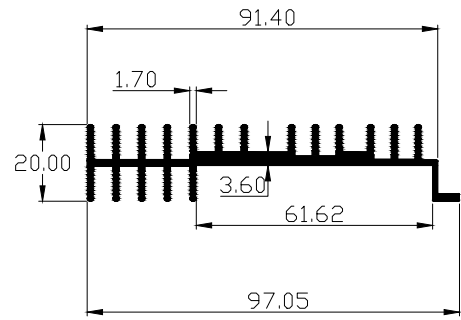
SECTION. NO	WT.Kgs/Mtr
6089	10.623
P-16	



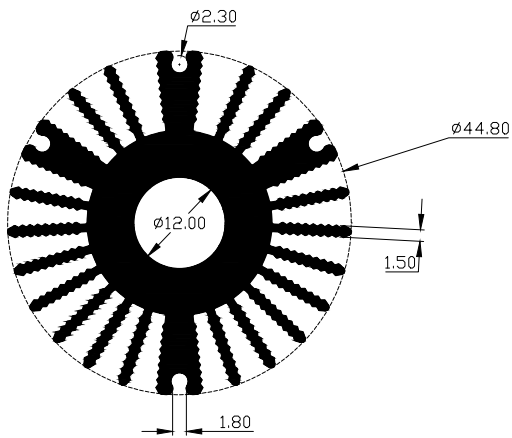
SECTION. NO	WT.Kgs/Mtr
6090	3.252
P-16	



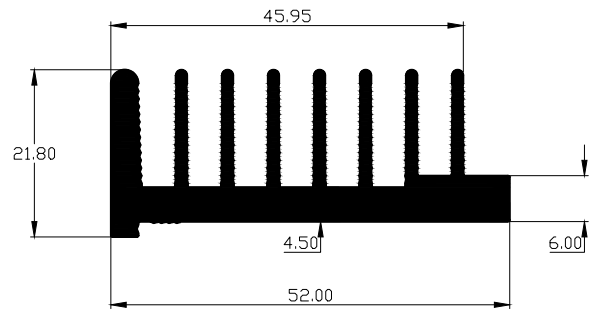
SECTION. NO	WT.Kgs/Mtr
6091	1.284
P-16	



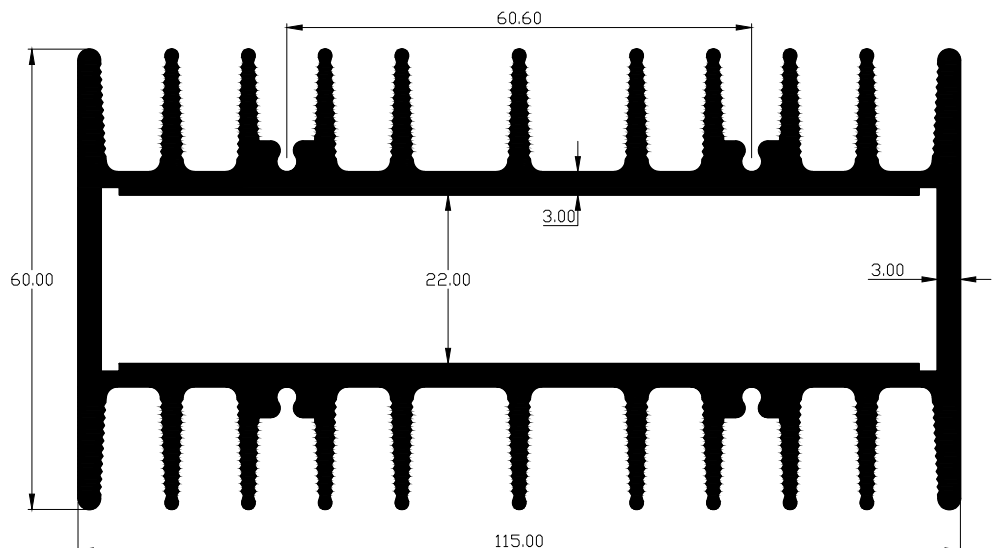
SECTION. NO	WT.Kgs/Mtr
6092	1.969
P-16	



SECTION. NO	WT.Kgs/Mtr
6094	1.275
P-16	

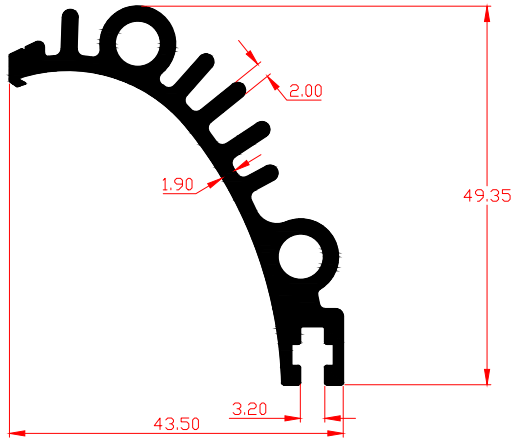


SECTION. NO	WT.Kgs/Mtr
6095	4.578
P-16	

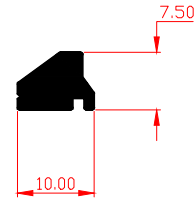


PARAGON ALUMINIUM L.L.P

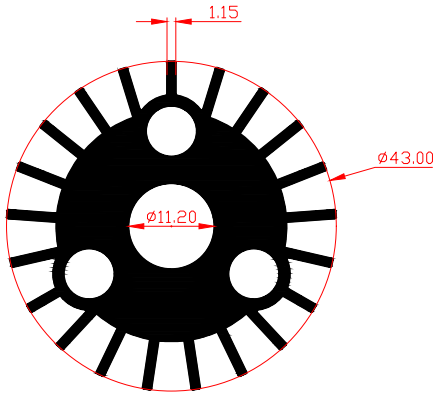
SECTION. NO	WT.Kgs/Mtr
6096	0.859
P-16	



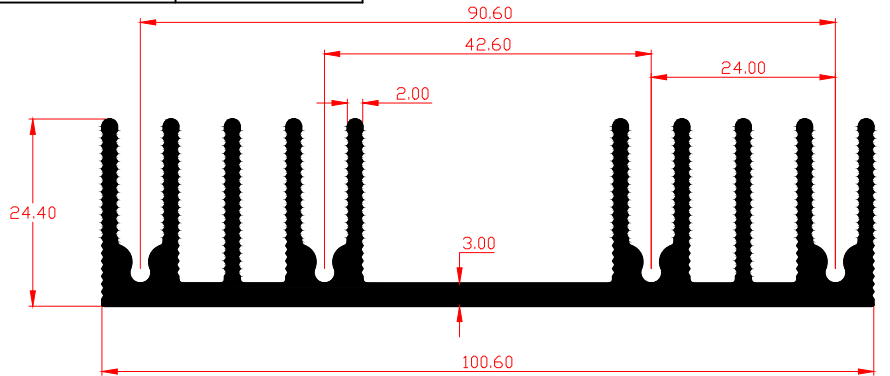
SECTION. NO	WT.Kgs/Mtr
6097	0.148



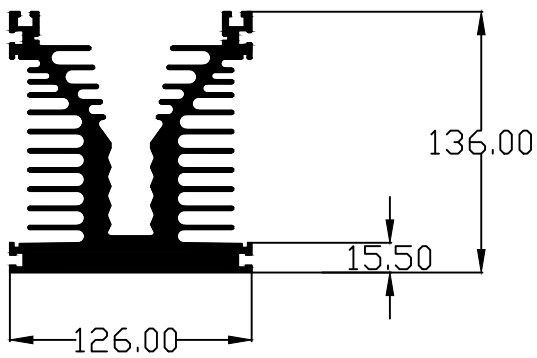
SECTION. NO	WT.Kgs/Mtr
6099	1.873
P-16	



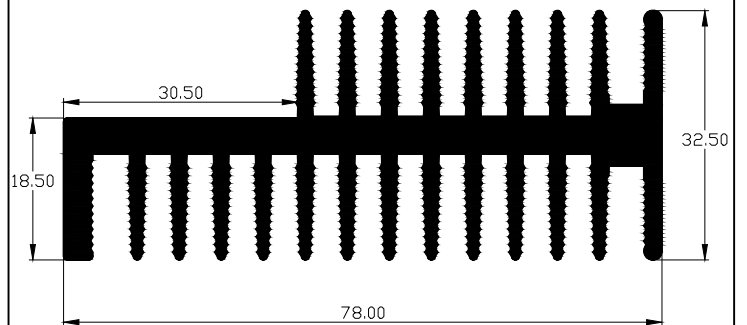
SECTION. NO	WT.Kgs/Mtr
6100	1.997
P-16	



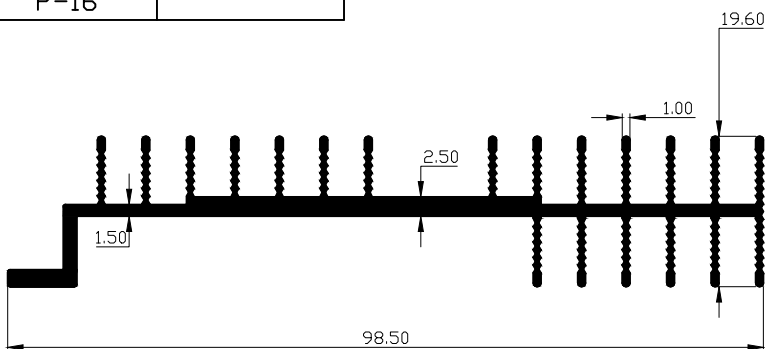
SECTION. NO	WT.Kgs/Mtr
6101	15.523
P-16	



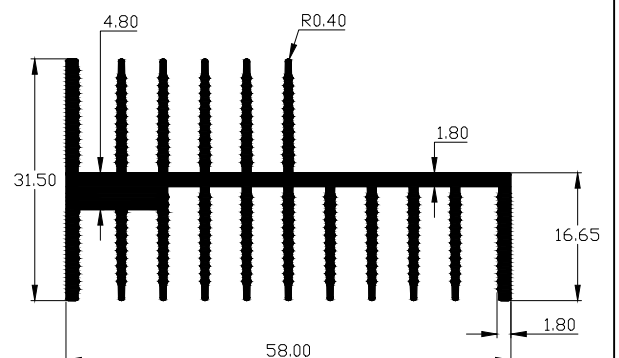
SECTION. NO	WT.Kgs/Mtr
6102	2.650
P-16	



SECTION. NO	WT.Kgs/Mtr
6103	0.931
P-16	

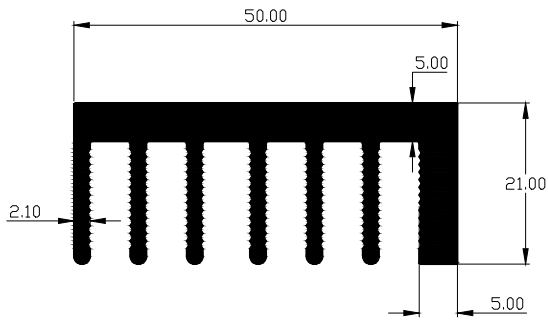


SECTION. NO	WT.Kgs/Mtr
6104	1.204
P-16	

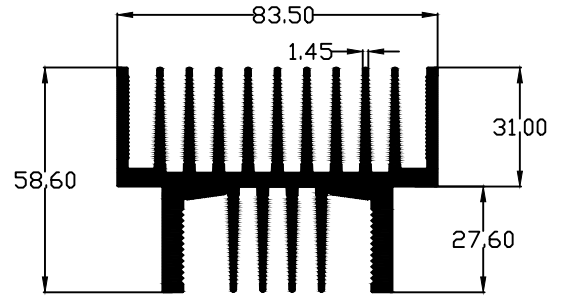


PARAGON ALUMINIUM L.L.P

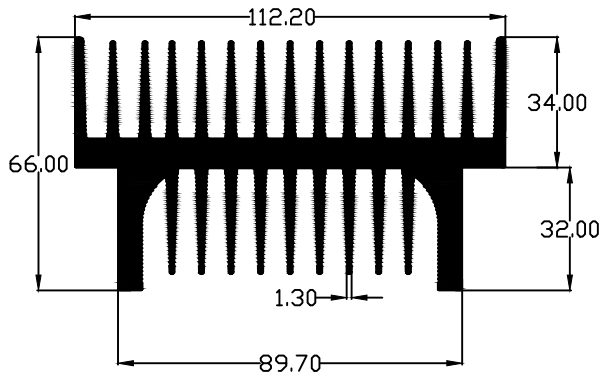
SECTION. NO	WT.Kgs/Mtr
6105	1.427
P-16	



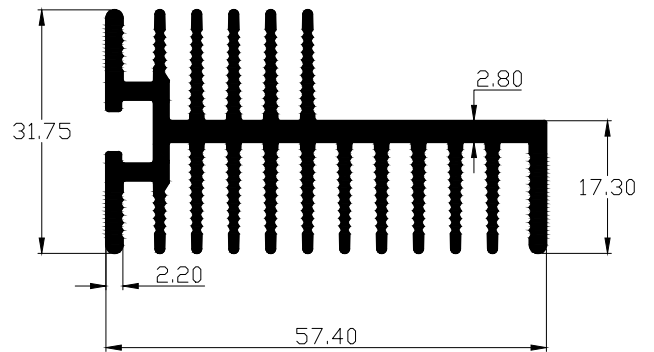
SECTION. NO	WT.Kgs/Mtr
6106	4.071
P-16	



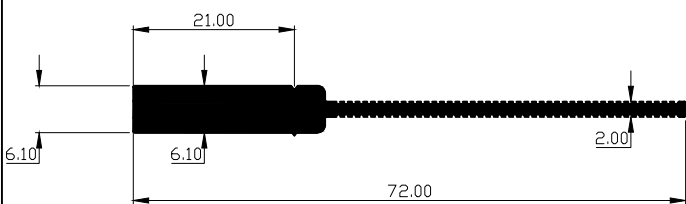
SECTION. NO	WT.Kgs/Mtr
6107	6.991
P-16	



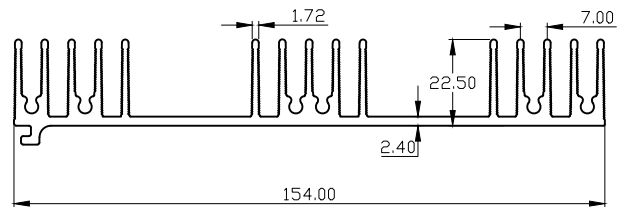
SECTION. NO	WT.Kgs/Mtr
6108	1.423
P-16	



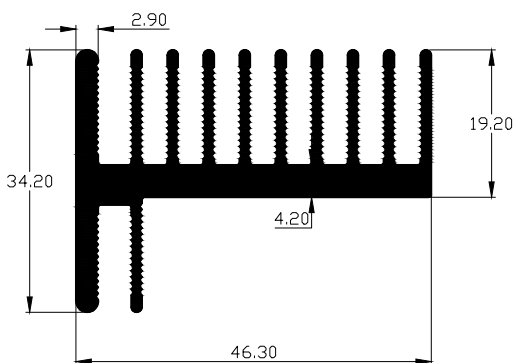
SECTION. NO	WT.Kgs/Mtr
6109	0.594
P-16	



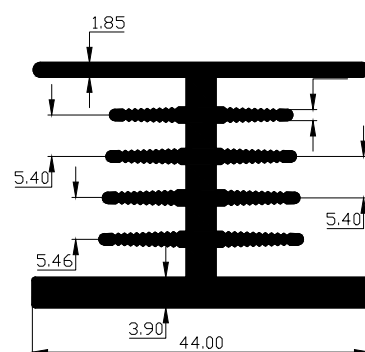
SECTION. NO	WT.Kgs/Mtr
6110	2.650
P-16	



SECTION. NO	WT.Kgs/Mtr
6111	1.228
P-16	

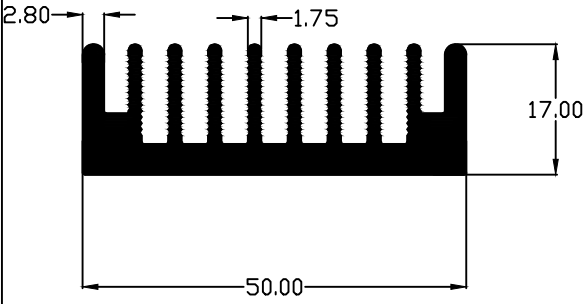


SECTION. NO	WT.Kgs/Mtr
6112	1.279
P-16	

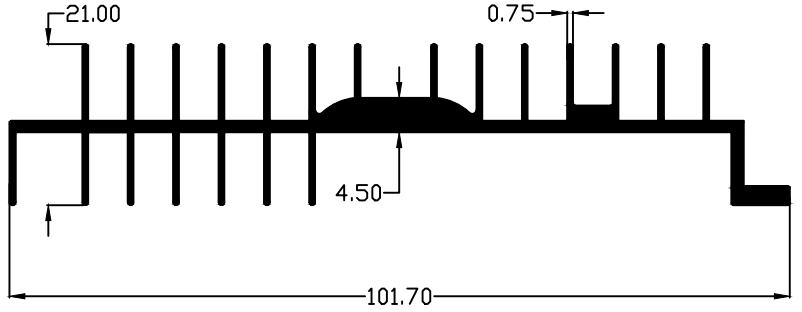


PARAGON ALUMINIUM L.L.P

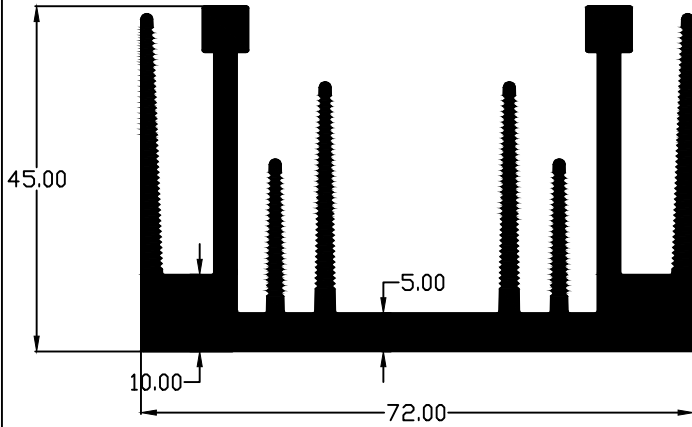
SECTION. NO	WT.Kgs/Mtr
6113	1.231



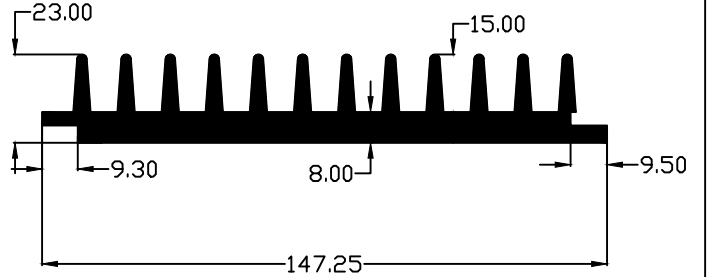
SECTION. NO	WT.Kgs/Mtr
6114	1.044
P-16	



SECTION. NO	WT.Kgs/Mtr
6115 new	2.77



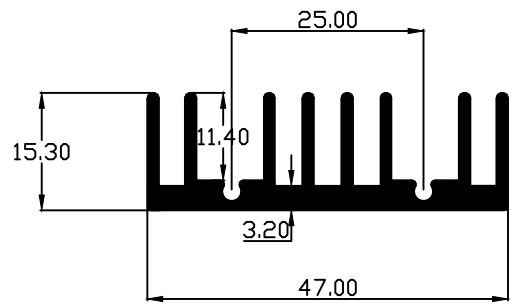
SECTION. NO	WT.Kgs/Mtr
6116	4.618



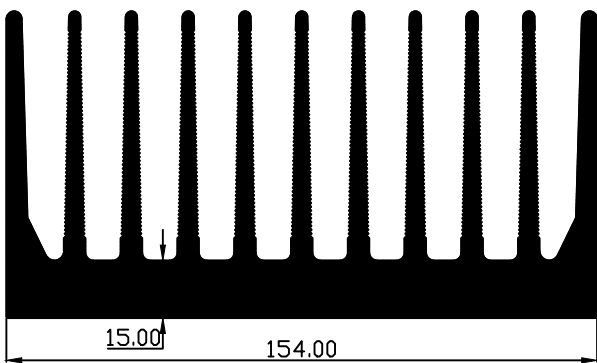
SECTION. NO	WT.Kgs/Mtr
6117	1.370



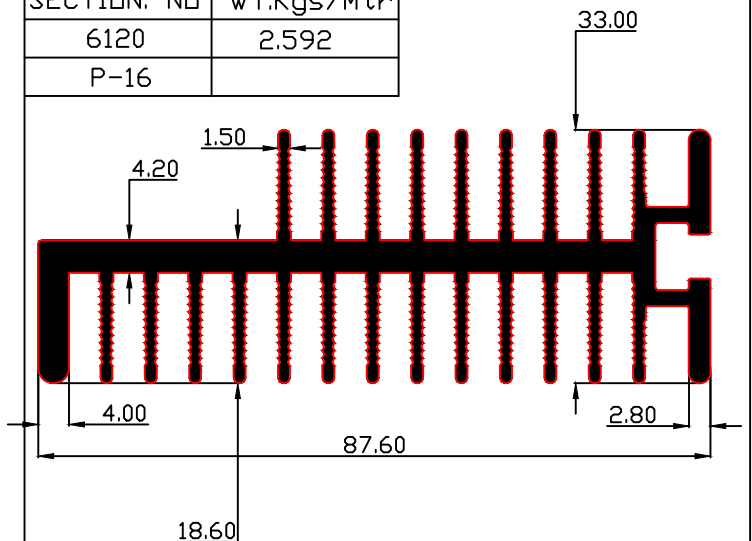
SECTION. NO	WT.Kgs/Mtr
6118	0.796



SECTION. NO	WT.Kgs/Mtr
6119	14.151
P-16	

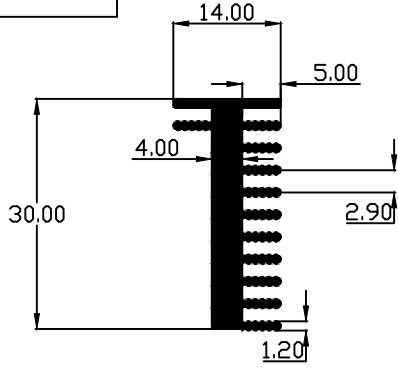


SECTION. NO	WT.Kgs/Mtr
6120	2.592
P-16	

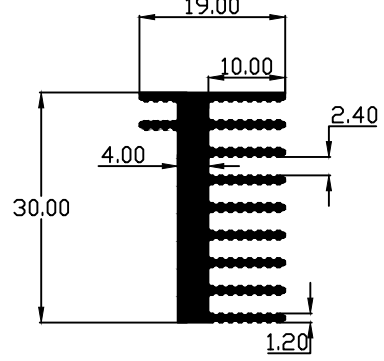


PARAGON ALUMINIUM L.L.P

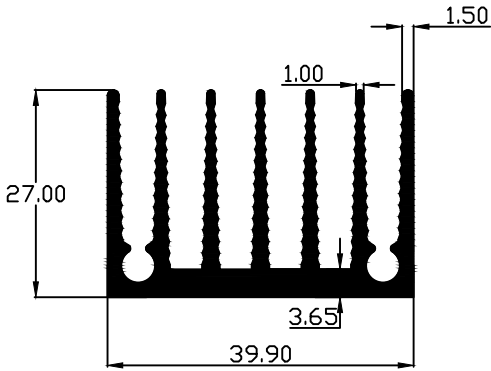
SECTION. NO	WT.Kgs/Mtr
6121	0.497



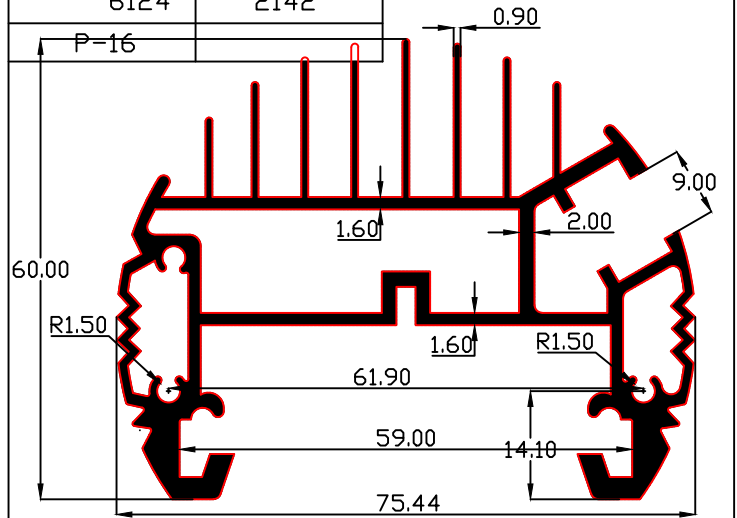
SECTION. NO	WT.Kgs/Mtr
6122	0.587



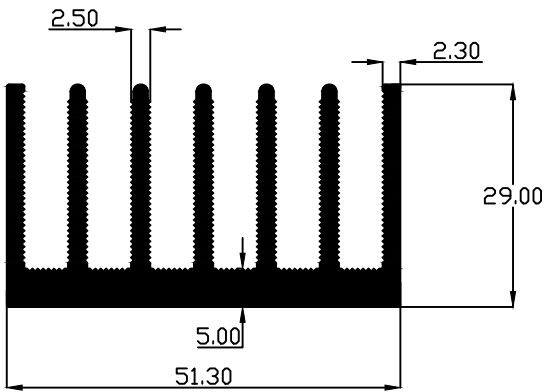
SECTION. NO	WT.Kgs/Mtr
6123	1.035



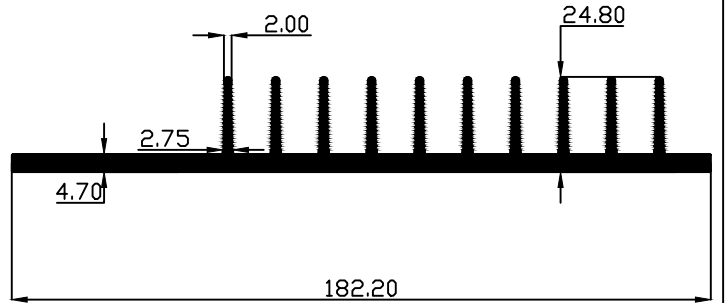
SECTION. NO	WT.Kgs/Mtr
6124	2142



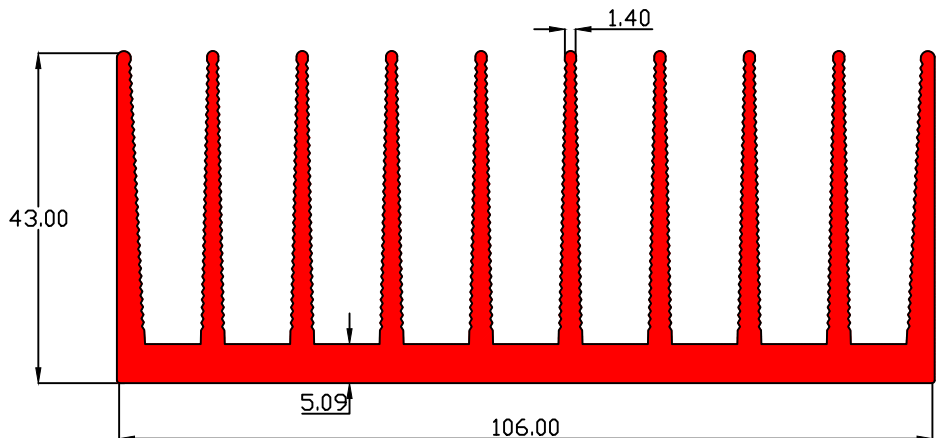
SECTION. NO	WT.Kgs/Mtr
6125	1.643
P-16	



SECTION. NO	WT.Kgs/Mtr
6126	3.409
P-16	

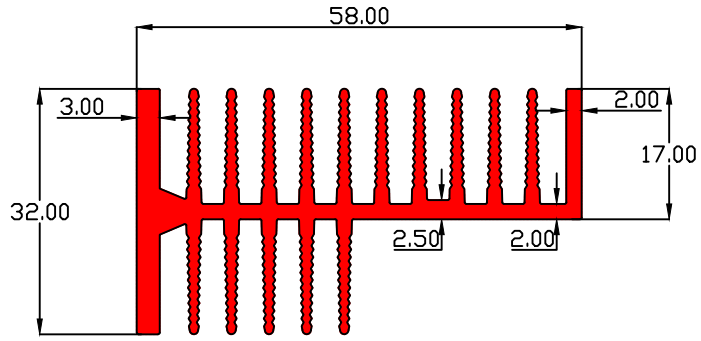


SECTION. NO	WT.Kgs/Mtr
6127	3.633

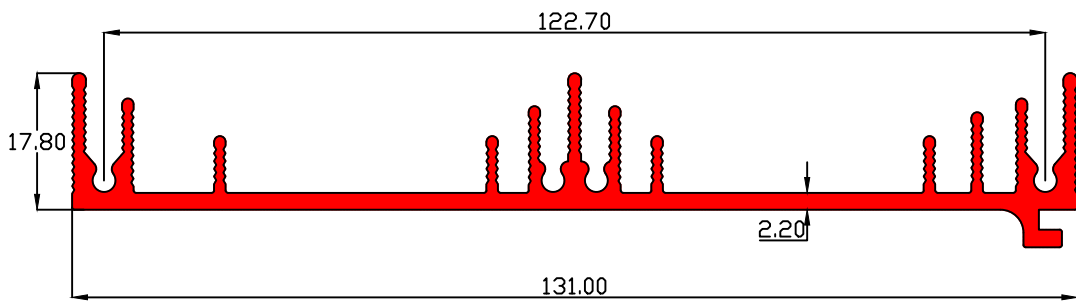


PARAGON ALUMINIUM L.L.P

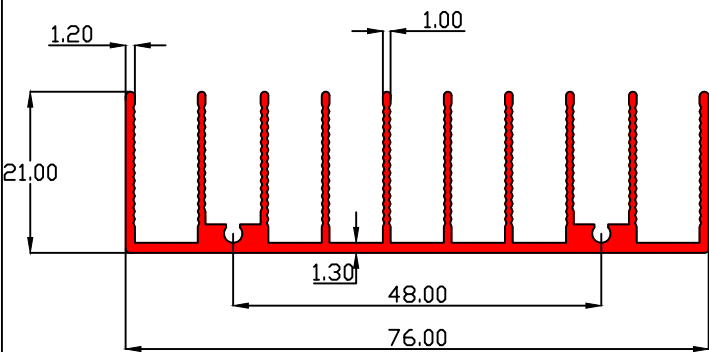
SECTION. NO	WT.Kgs/Mtr
6128	1.502



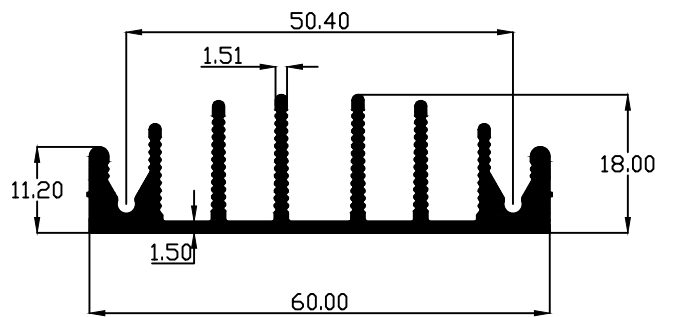
SECTION. NO	WT.Kgs/Mtr
6129	1.407



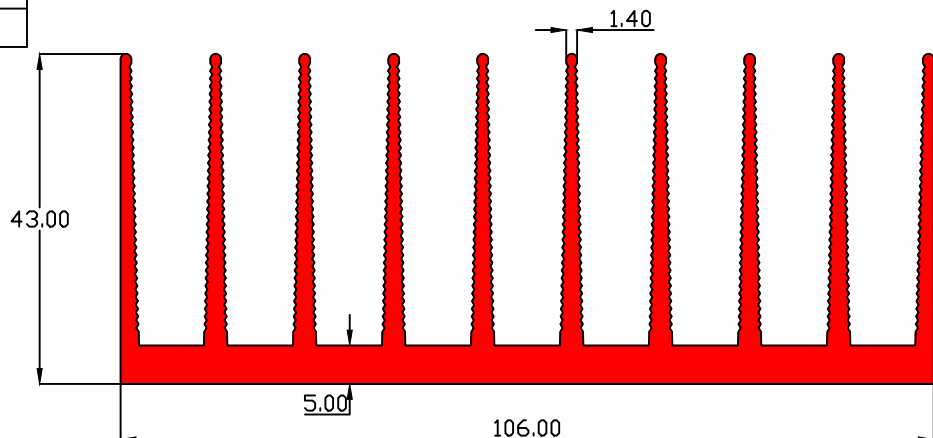
SECTION. NO	WT.Kgs/Mtr
6130	0.820



SECTION. NO	WT.Kgs/Mtr
6131	0.796

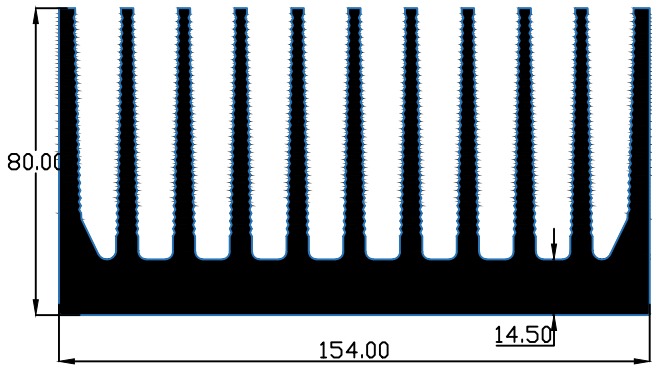


SECTION. NO	WT.Kgs/Mtr
6132	3.367

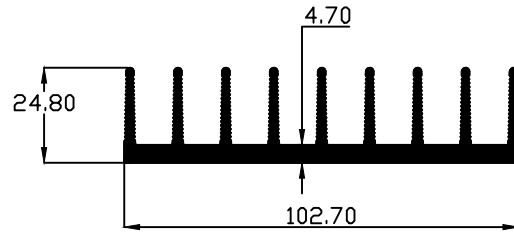


PARAGON ALUMINIUM L.L.P

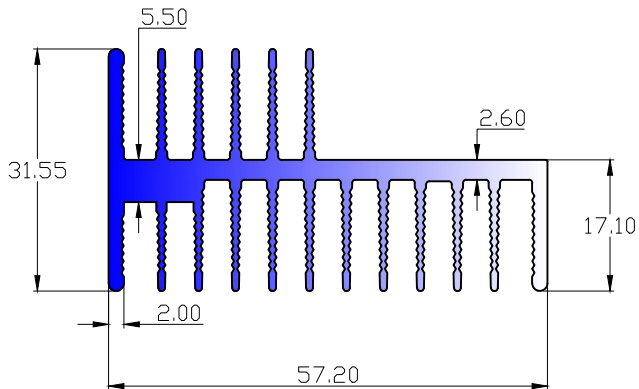
SECTION. NO	WT.Kgs/Mtr
6133	14.625



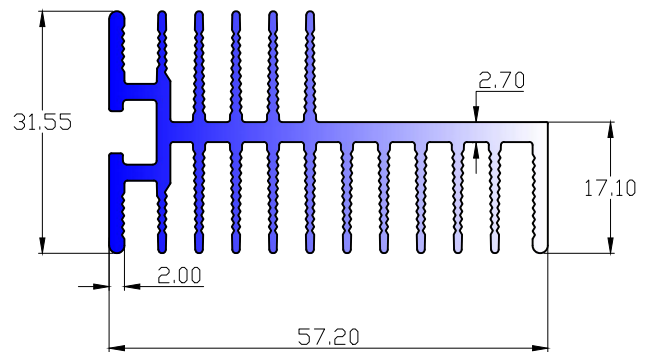
SECTION. NO	WT.Kgs/Mtr
6134	2.290



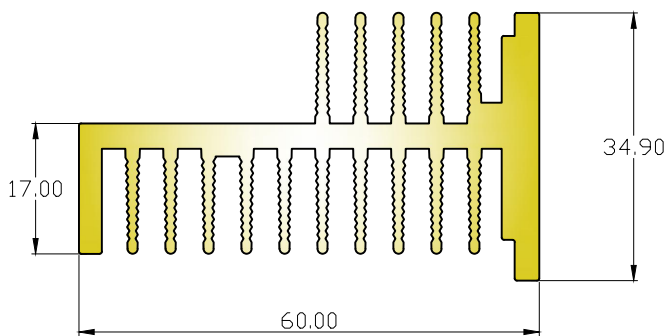
SECTION. NO	WT.Kgs/Mtr
6135	1.233



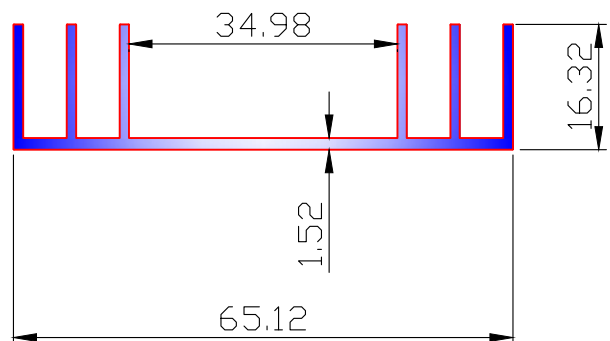
SECTION. NO	WT.Kgs/Mtr
6136	1.242



SECTION. NO	WT.Kgs/Mtr
6137	1.776



SECTION. NO	WT.Kgs/Mtr
6138	0.563

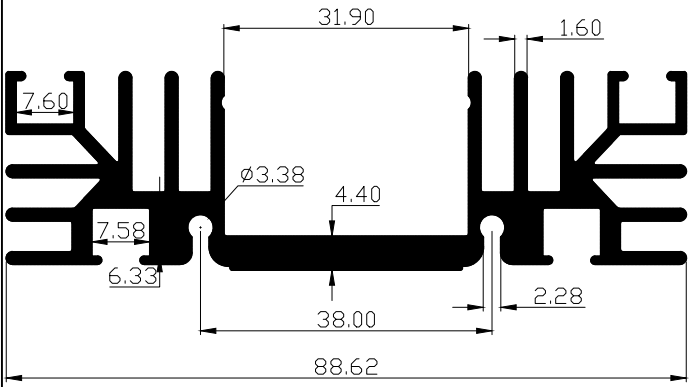


SECTION. NO	WT.Kgs/Mtr

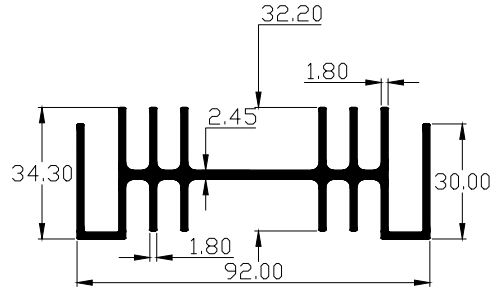
SECTION. NO	WT.Kgs/Mtr

PARAGON ALUMINIUM L.L.P

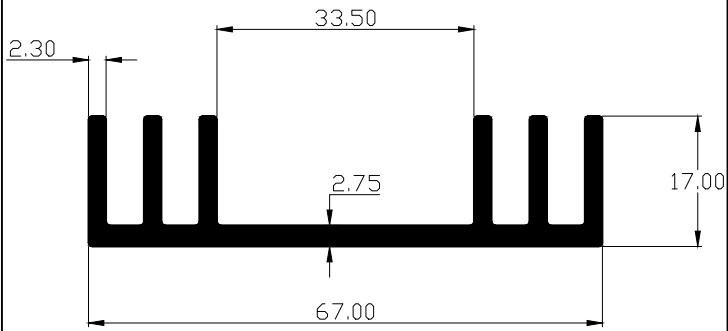
SECTION. NO	WT.Kgs/Mtr
1203	1.775



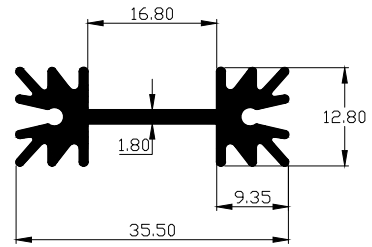
SECTION. NO	WT.Kgs/Mtr
1204	1.776



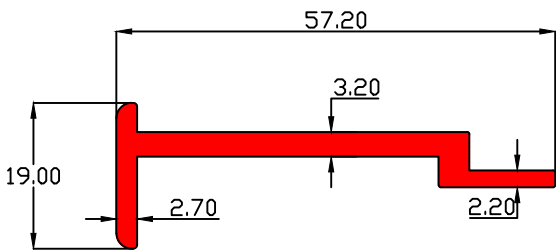
SECTION. NO	WT.Kgs/Mtr
1209	1.027



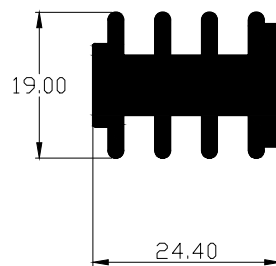
SECTION. NO	WT.Kgs/Mtr
1216	0.459



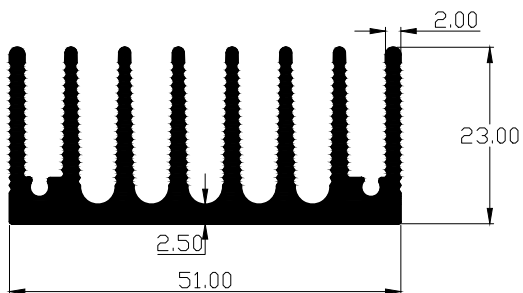
SECTION. NO	WT.Kgs/Mtr
1217	0.617



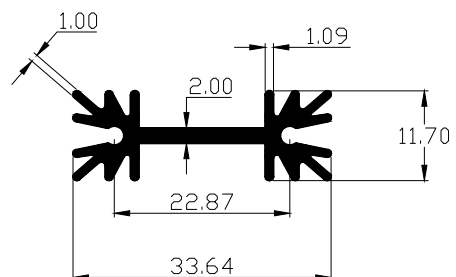
SECTION. NO	WT.Kgs/Mtr
1222	0.808



SECTION. NO	WT.Kgs/Mtr
1224	1.205

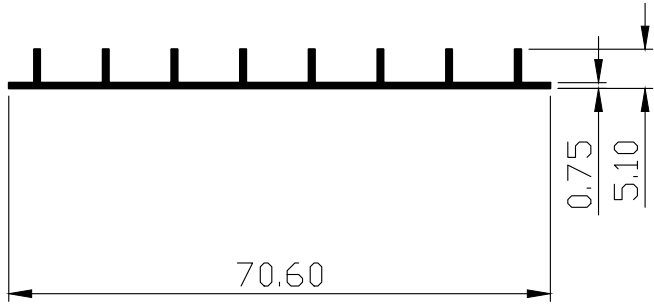


SECTION. NO	WT.Kgs/Mtr
1225	0.383

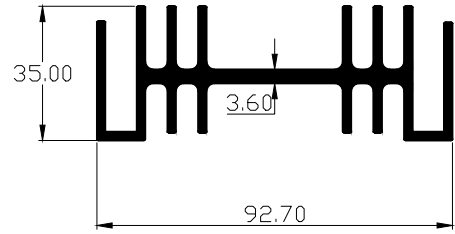


PARAGON ALUMINIUM L.L.P

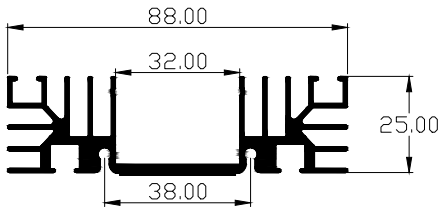
SECTION. NO	WT.Kgs/Mtr
1202	0.219



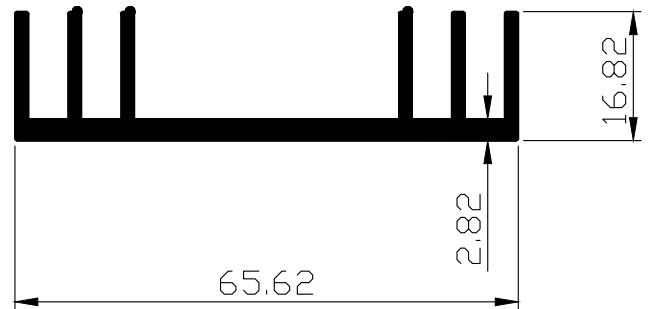
SECTION. NO	WT.Kgs/Mtr
1205	2.284
P-16	



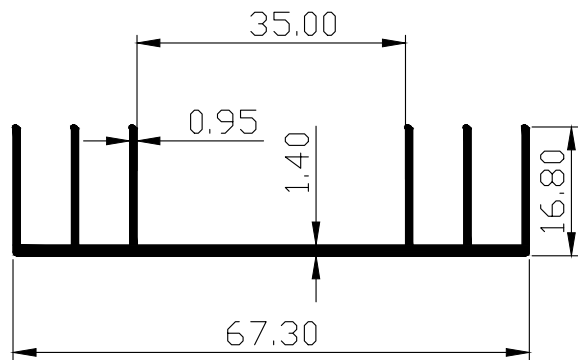
SECTION. NO	WT.Kgs/Mtr
1207	1.567



SECTION. NO	WT.Kgs/Mtr
1208/2	0.892



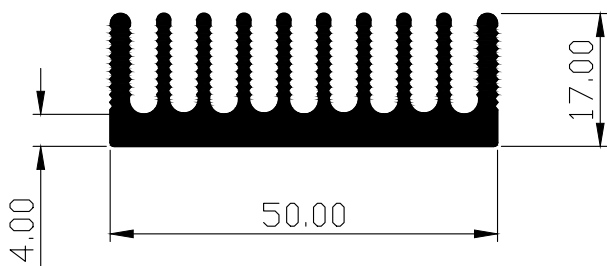
SECTION. NO	WT.Kgs/Mtr
1210/5	0.490



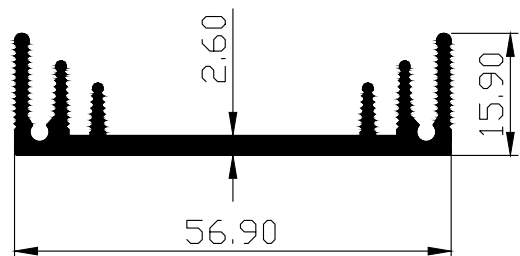
SECTION. NO	WT.Kgs/Mtr
1211	0.751



SECTION. NO	WT.Kgs/Mtr
1212	1.184
P-16	

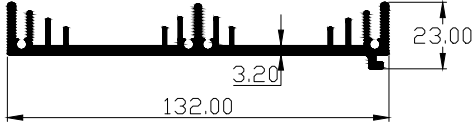


SECTION. NO	WT.Kgs/Mtr
1214	0.641
P-16	

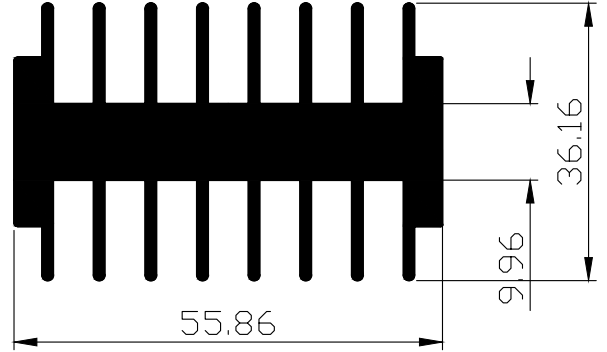


PARAGON ALUMINIUM L.L.P

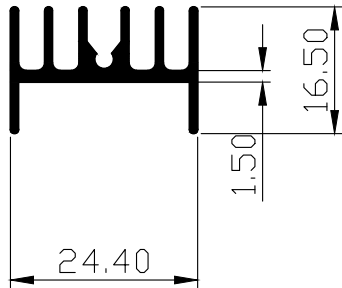
SECTION. NO	WT.Kgs/Mtr
1215/1	1.854
P-16	



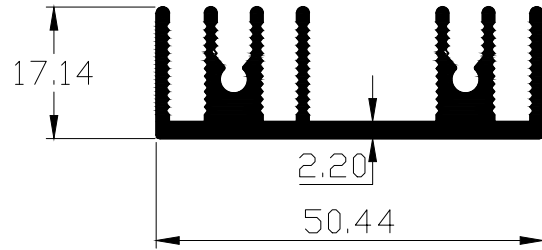
SECTION. NO	WT.Kgs/Mtr
1219	2.557
P-16	



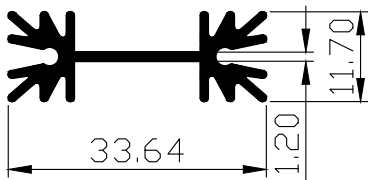
SECTION. NO	WT.Kgs/Mtr
1220	0.297



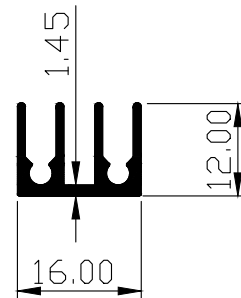
SECTION. NO	WT.Kgs/Mtr
1221	0.806
P-16	



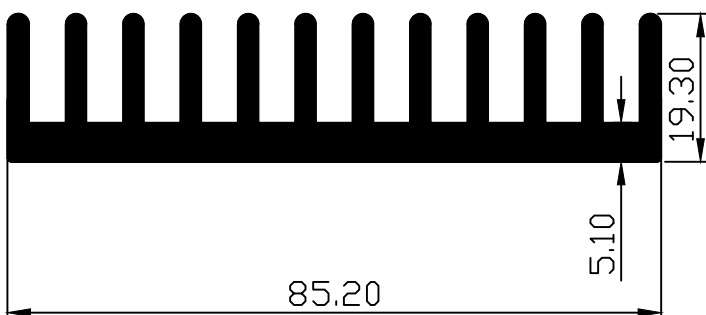
SECTION. NO	WT.Kgs/Mtr
1225/2	0.345



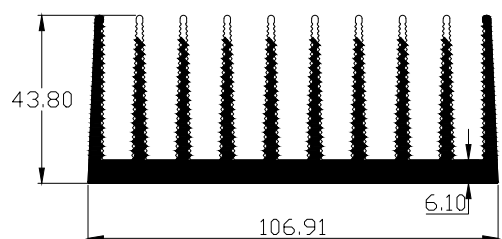
SECTION. NO	WT.Kgs/Mtr
1227	0.209



SECTION. NO	WT.Kgs/Mtr
1228	2.397
P-16	

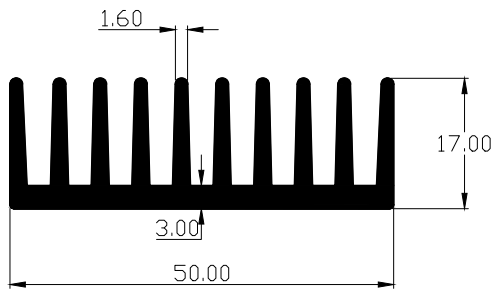


SECTION. NO	WT.Kgs/Mtr
1229	4.378
P-16	

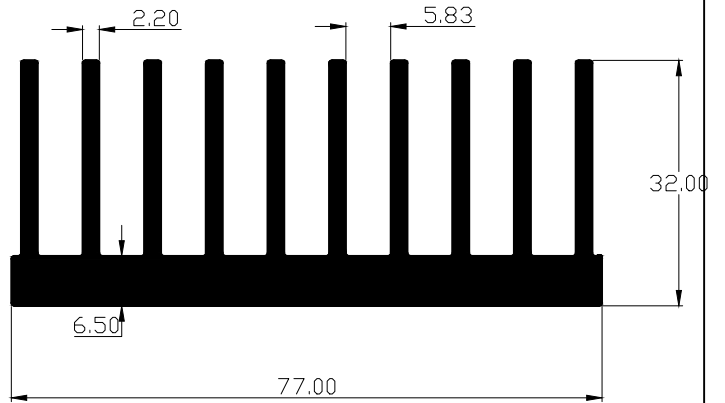


PARAGON ALUMINIUM L.L.P

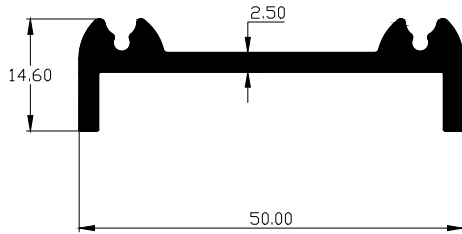
SECTION. NO	WT.Kgs/Mtr
1230	1.123
P-16	



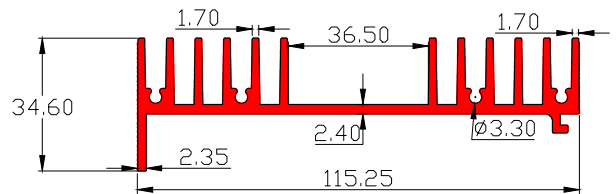
SECTION. NO	WT.Kgs/Mtr
1258	2.865
P16	



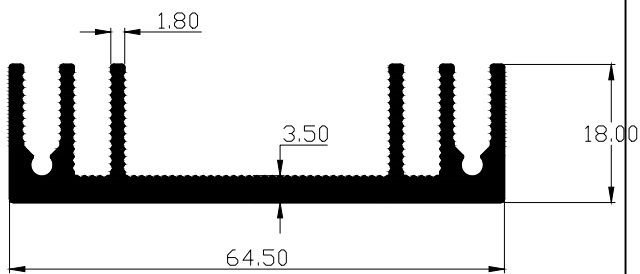
SECTION. NO	WT.Kgs/Mtr
1259	0.593



SECTION. NO	WT.Kgs/Mtr
1260	2.101



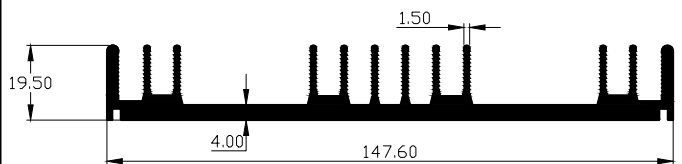
SECTION. NO	WT.Kgs/Mtr
1232	1.00



SECTION. NO	WT.Kgs/Mtr

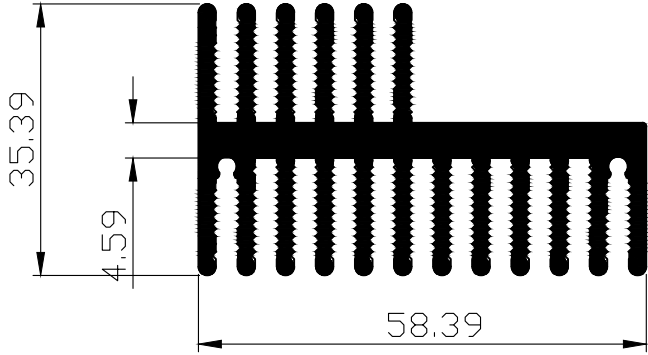
SECTION. NO	WT.Kgs/Mtr

SECTION. NO	WT.Kgs/Mtr
1247	2.552
P16	

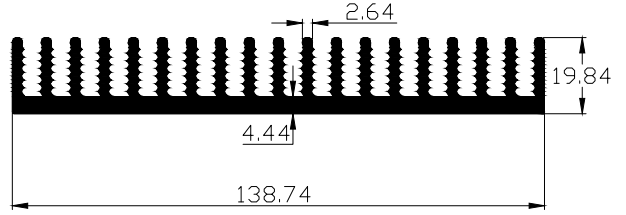


PARAGON ALUMINIUM L.L.P

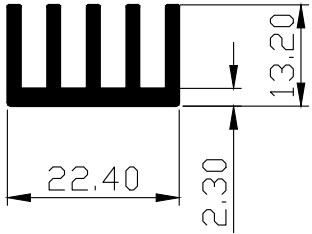
SECTION. NO	WT.Kgs/Mtr
1231/H	2.187



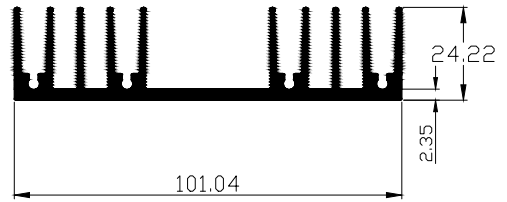
SECTION. NO	WT.Kgs/Mtr
1233	3.466
P-16	



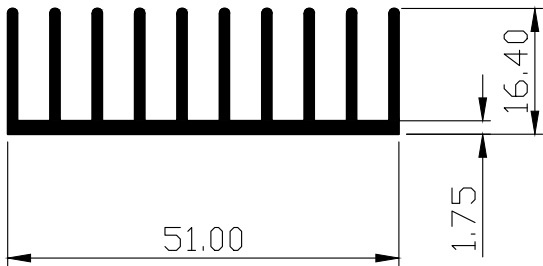
SECTION. NO	WT.Kgs/Mtr
1236	0.391



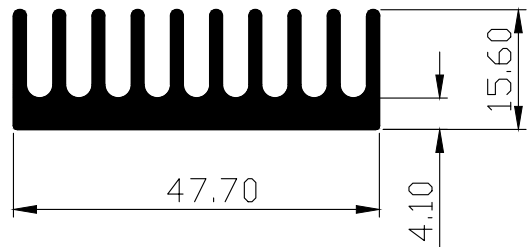
SECTION. NO	WT.Kgs/Mtr
1237	1.540
P-16	



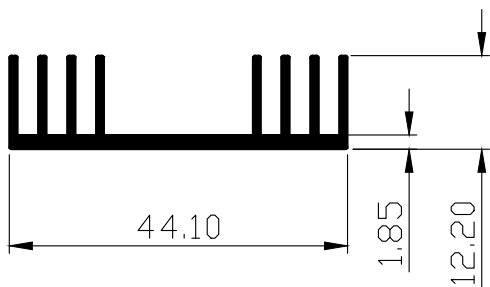
SECTION. NO	WT.Kgs/Mtr
1238	0.741



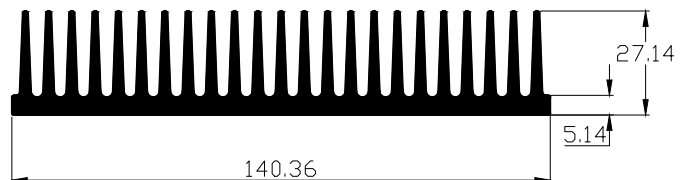
SECTION. NO	WT.Kgs/Mtr
1239	1.052
P-16	



SECTION. NO	WT.Kgs/Mtr
1244	0.462

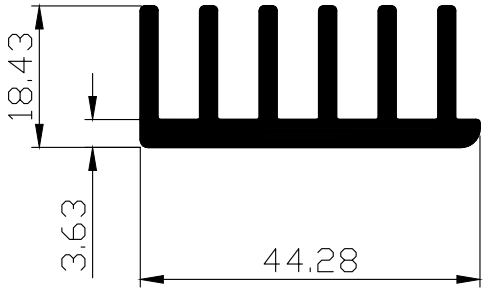


SECTION. NO	WT.Kgs/Mtr
1246	4.886
P-16	

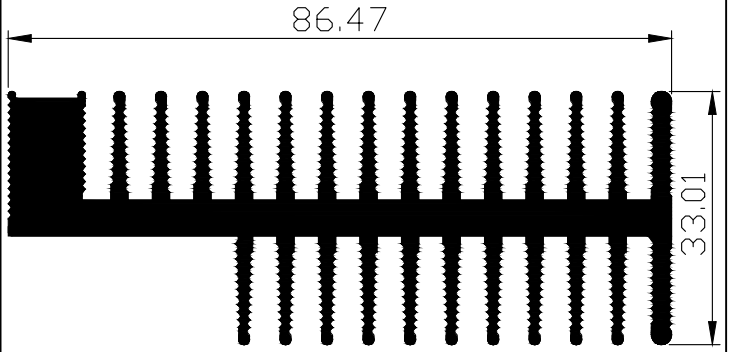


PARAGON ALUMINIUM L.L.P

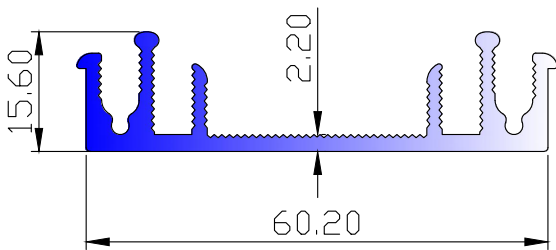
SECTION. NO	WT.Kgs/Mtr
1248	0.974



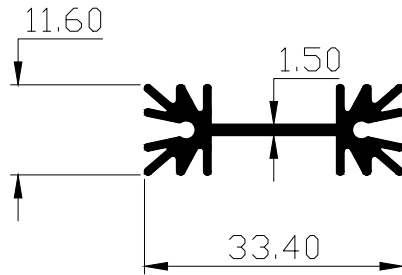
SECTION. NO	WT.Kgs/Mtr
1249	2.910
P-16	



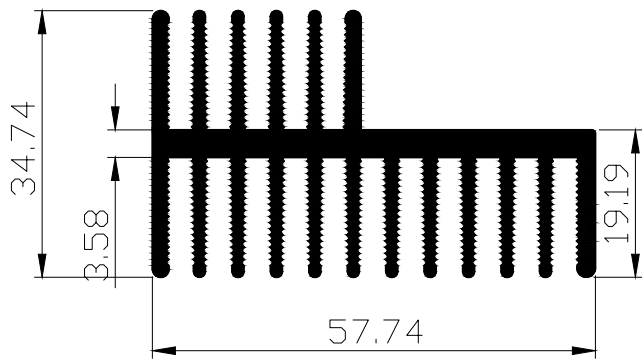
SECTION. NO	WT.Kgs/Mtr
1250	0.719



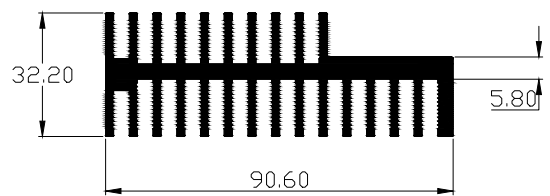
SECTION. NO	WT.Kgs/Mtr
1255/2	0.343



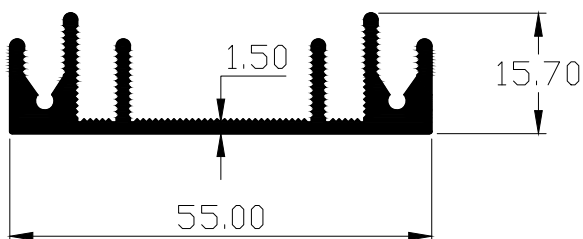
SECTION. NO	WT.Kgs/Mtr
1256/1	1.733
P-16	



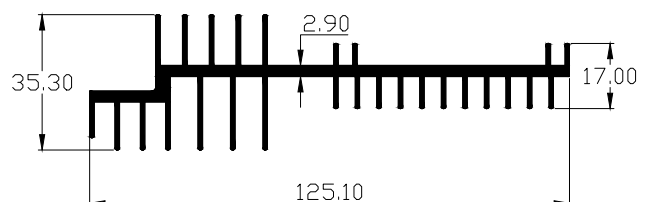
SECTION. NO	WT.Kgs/Mtr
1257/1	3.006
P-16	



SECTION. NO	WT.Kgs/Mtr
1265	0.634

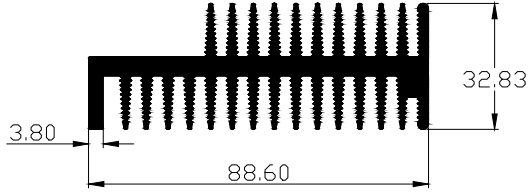


SECTION. NO	WT.Kgs/Mtr
1266	1.951

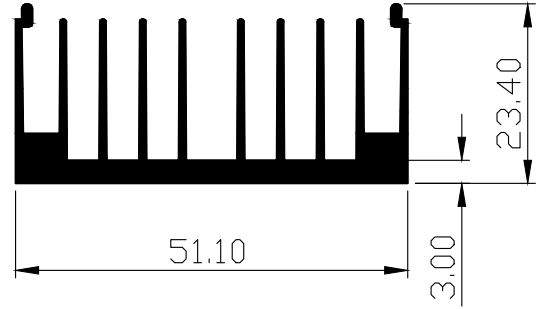


PARAGON ALUMINIUM L.L.P

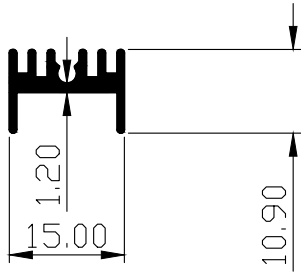
SECTION. NO	WT.Kgs/Mtr
1267	3.126
P-16	



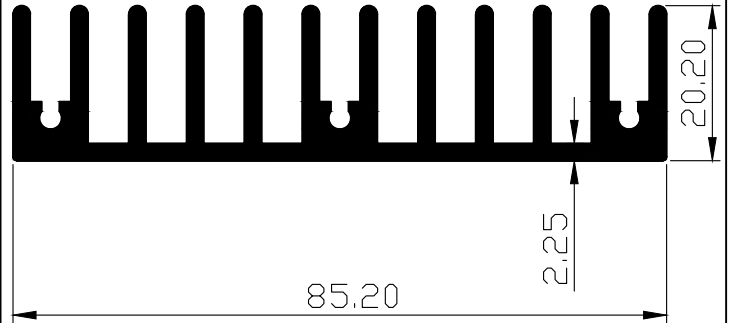
SECTION. NO	WT.Kgs/Mtr
1268	0.972



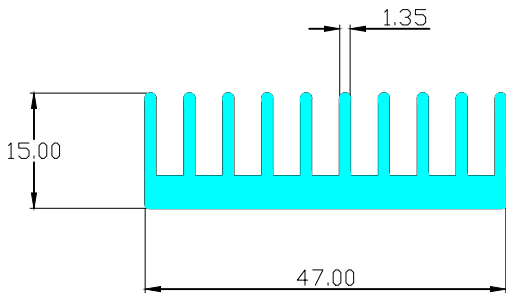
SECTION. NO	WT.Kgs/Mtr
1269	0.166



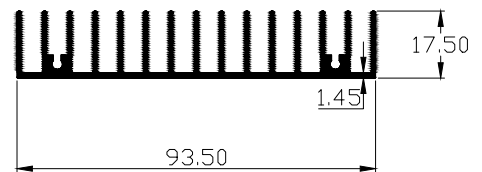
SECTION. NO	WT.Kgs/Mtr
1270	1.968



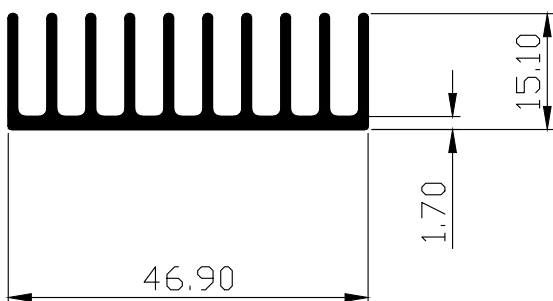
SECTION. NO	WT.Kgs/Mtr
1272	0.921
P-16	



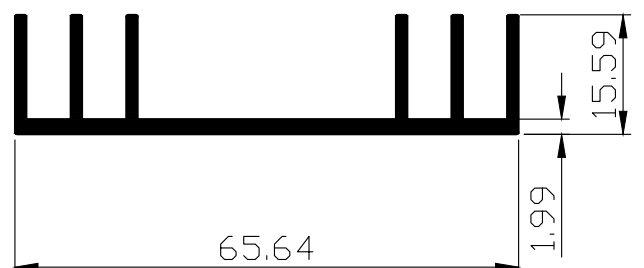
SECTION. NO	WT.Kgs/Mtr
1274	1.067



SECTION. NO	WT.Kgs/Mtr
1275	0.655

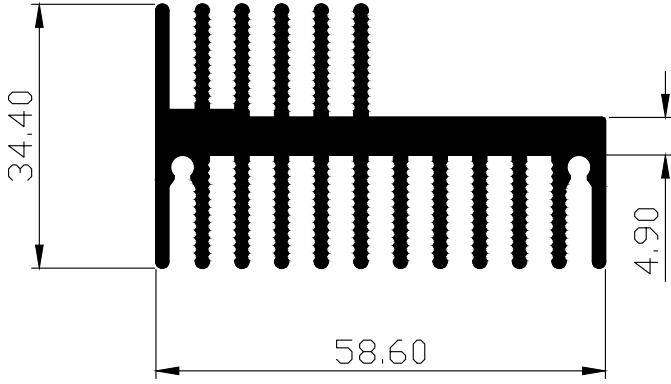


SECTION. NO	WT.Kgs/Mtr
1276	0.681

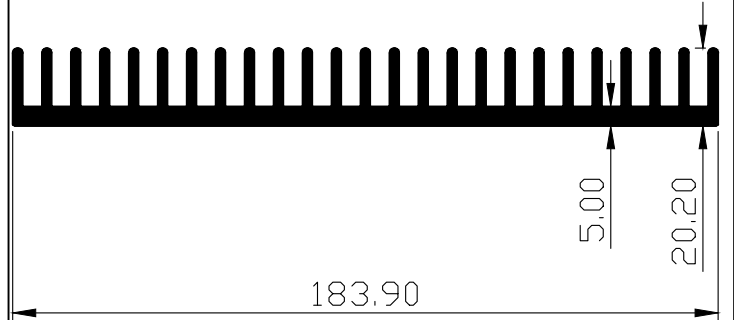


PARAGON ALUMINIUM L.L.P

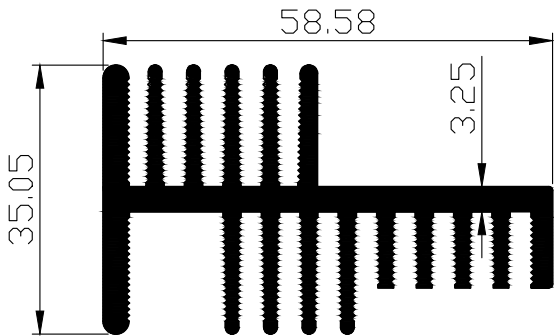
SECTION. NO	WT.Kgs/Mtr
1277	1.915
P-16	



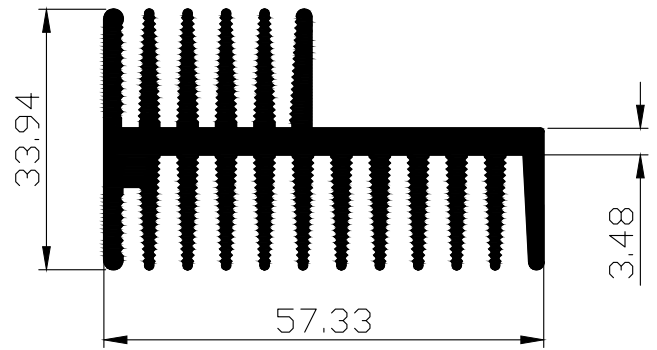
SECTION. NO	WT.Kgs/Mtr
1278	5.010
P-16	



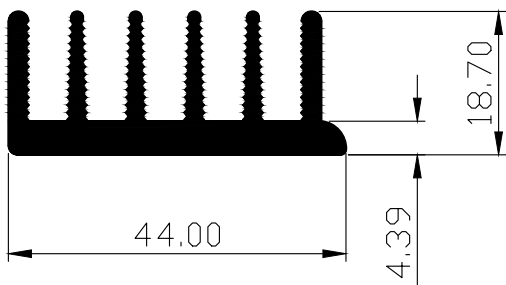
SECTION. NO	WT.Kgs/Mtr
1279	1.721
P-16	



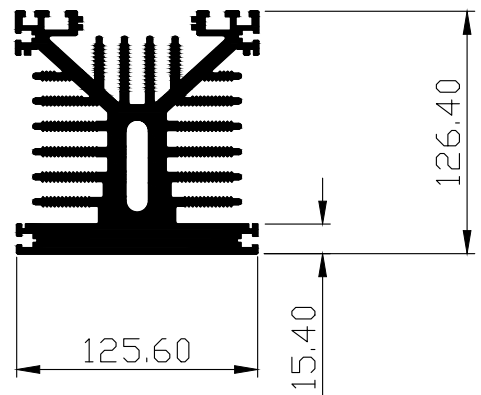
SECTION. NO	WT.Kgs/Mtr
1280	1.894



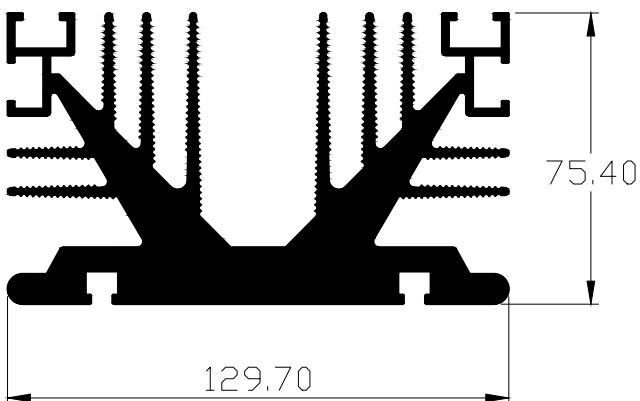
SECTION. NO	WT.Kgs/Mtr
1281	0.977
P-16	



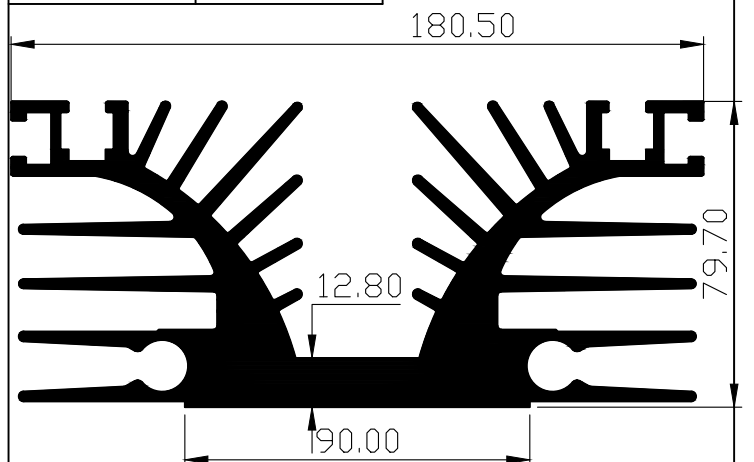
SECTION. NO	WT.Kgs/Mtr
1282	17.744
P-16	



SECTION. NO	WT.Kgs/Mtr
1283	10.272
P-16	

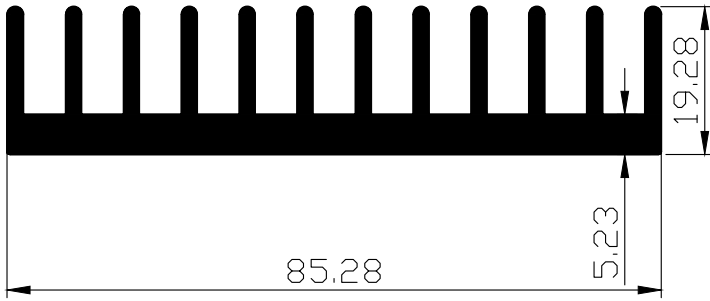


SECTION. NO	WT.Kgs/Mtr
1284	13.581
P-16	

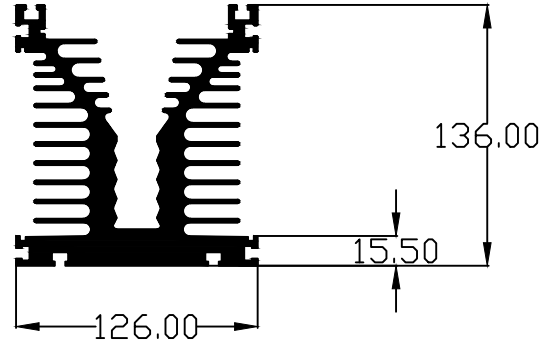


PARAGON ALUMINIUM L.L.P

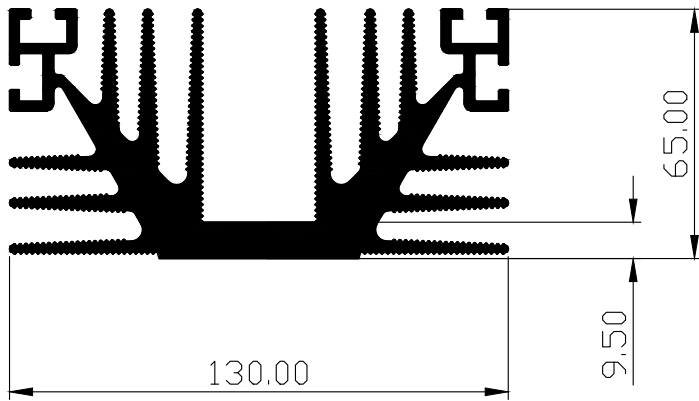
SECTION. NO	WT.Kgs/Mtr
1286	2.124
P-16	



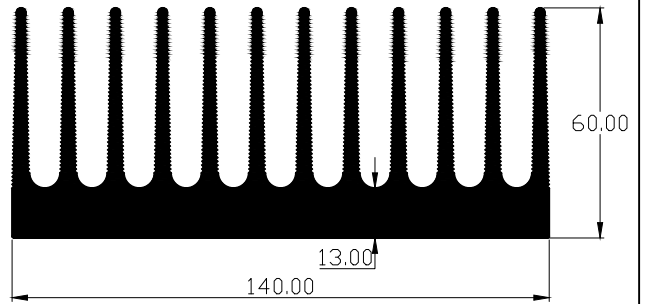
SECTION. NO	WT.Kgs/Mtr
1287	15.523
P-16	



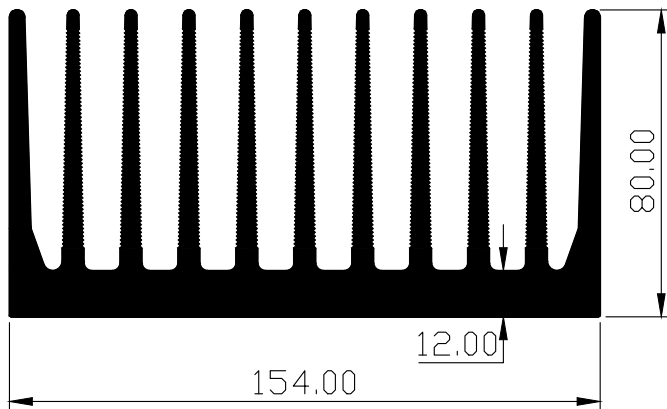
SECTION. NO	WT.Kgs/Mtr
1288	8.008
P-16	



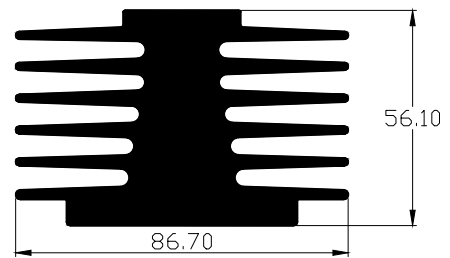
SECTION. NO	WT.Kgs/Mtr
1289	9.603
P-16	



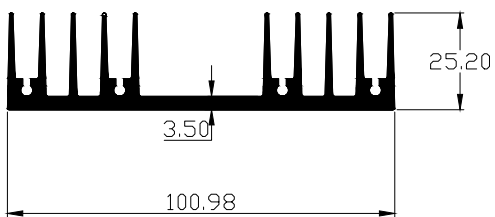
SECTION. NO	WT.Kgs/Mtr
1290	13.345
P-16	



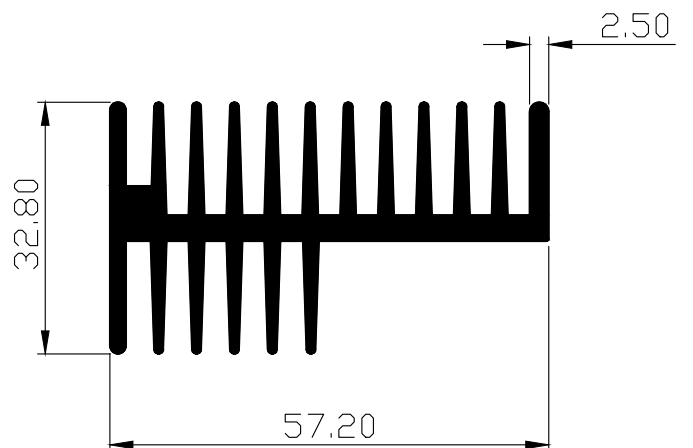
SECTION. NO	WT.Kgs/Mtr
1291	7.345
P-16	



SECTION. NO	WT.Kgs/Mtr
1292	2.008
P-16	

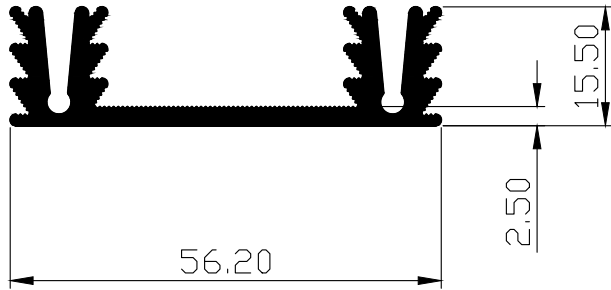


SECTION. NO	WT.Kgs/Mtr
1293	1.785
P-16	

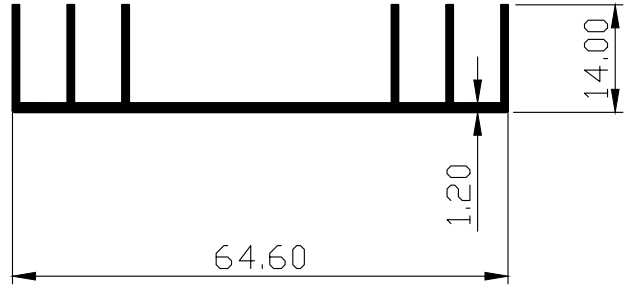


PARAGON ALUMINIUM L.L.P

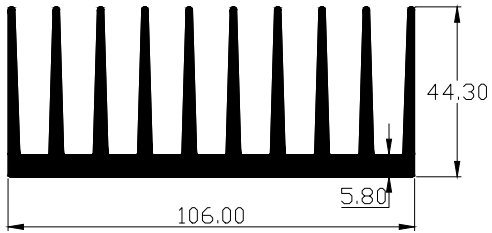
SECTION. NO	WT.Kgs/Mtr
1294	0.822



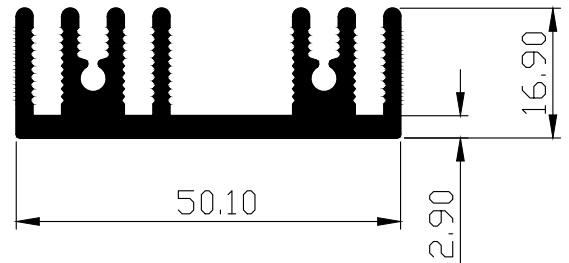
SECTION. NO	WT.Kgs/Mtr
1295	0.395



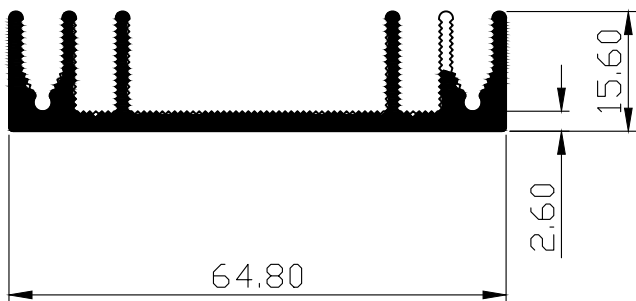
SECTION. NO	WT.Kgs/Mtr
1296	4.470
P-16	



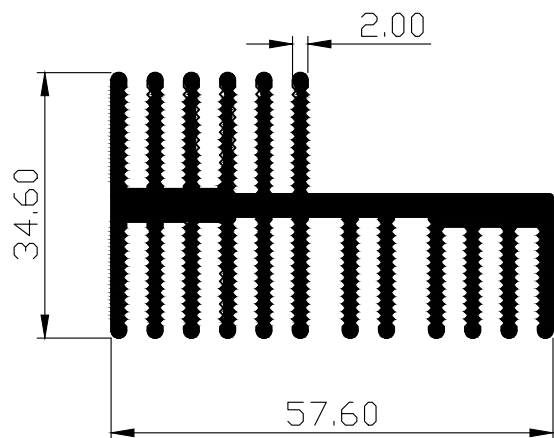
SECTION. NO	WT.Kgs/Mtr
1297	0.992



SECTION. NO	WT.Kgs/Mtr
1298	0.813



SECTION. NO	WT.Kgs/Mtr
1299	1.776



SECTION. NO	WT.Kgs/Mtr

SECTION. NO	WT.Kgs/Mtr