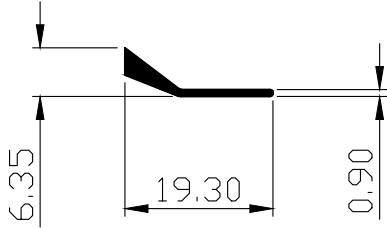
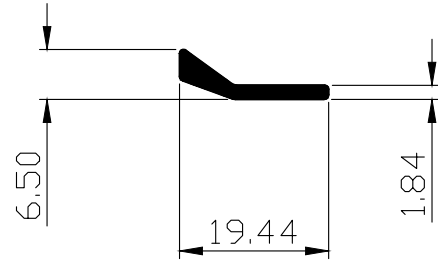


PARAGON ALUMINIUM L.L.P

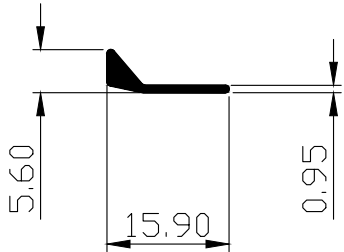
SECTION. NO	WT.Kgs/Mtr
1100/2	0.073



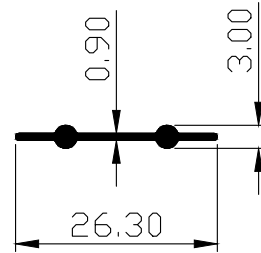
SECTION. NO	WT.Kgs/Mtr
1105/1	0.120



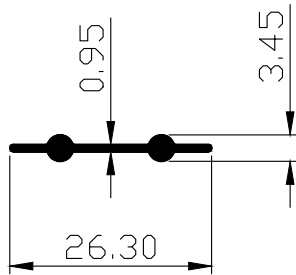
SECTION. NO	WT.Kgs/Mtr
1105/3	0.068



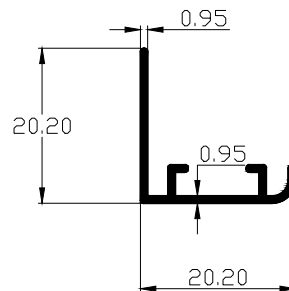
SECTION. NO	WT.Kgs/Mtr
1107/1	0.087



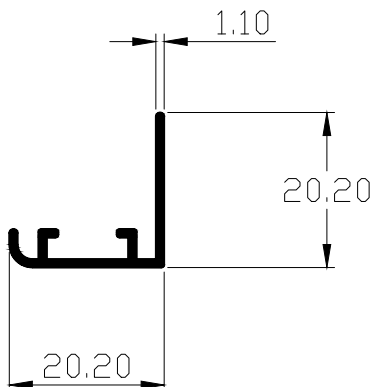
SECTION. NO	WT.Kgs/Mtr
1107/1	0.100



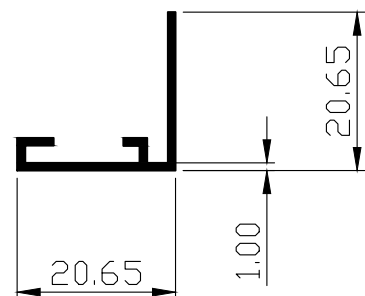
SECTION. NO	WT.Kgs/Mtr
1109/2	0.136



SECTION. NO	WT.Kgs/Mtr
1109/2	0.155

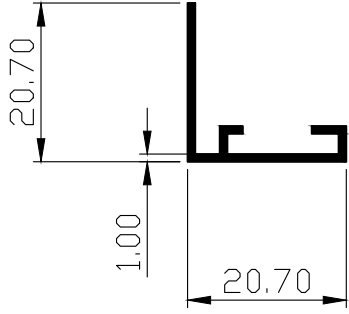


SECTION. NO	WT.Kgs/Mtr
1110/2	0.143

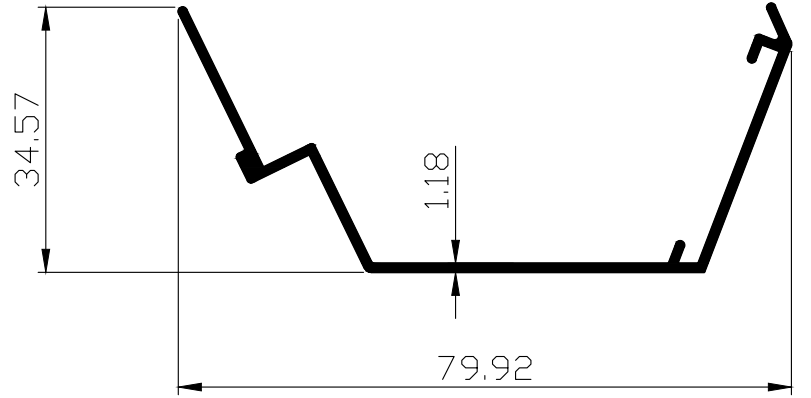


PARAGON ALUMINIUM L.L.P

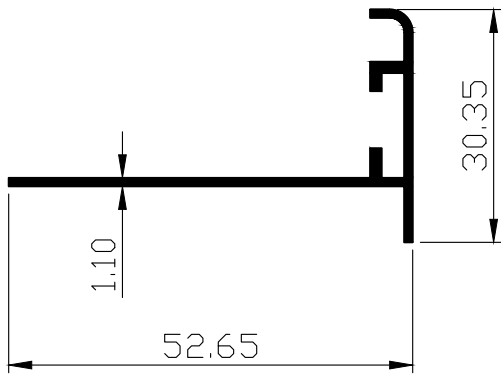
SECTION. NO	WT.Kgs/Mtr
1110/3	0.144



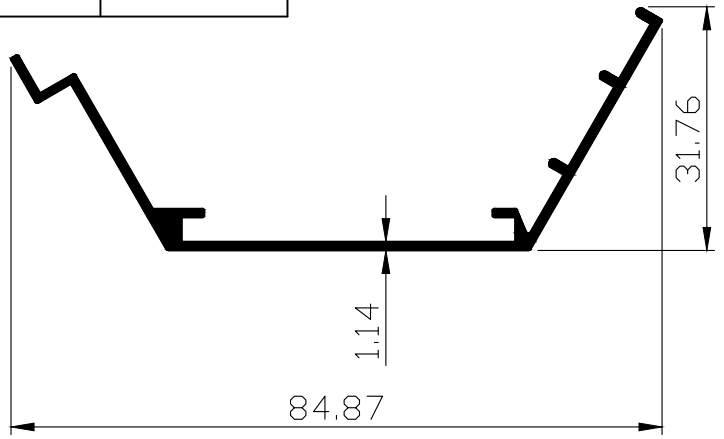
SECTION. NO	WT.Kgs/Mtr
1111/1	0.450



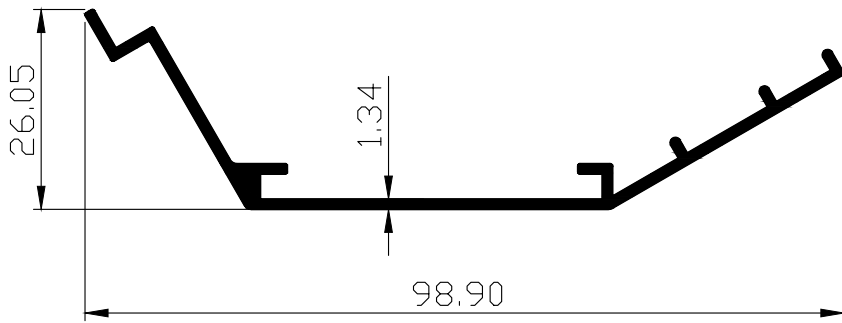
SECTION. NO	WT.Kgs/Mtr
1112/1	0.296



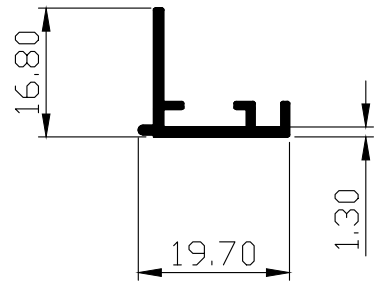
SECTION. NO	WT.Kgs/Mtr
1113	0.422



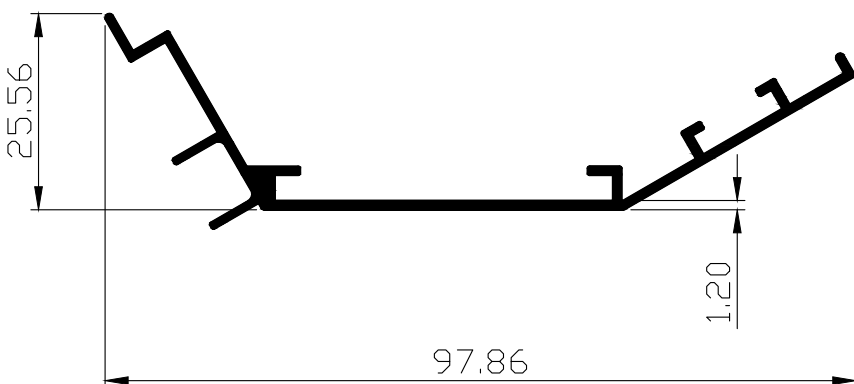
SECTION. NO	WT.Kgs/Mtr
1113/1	0.529



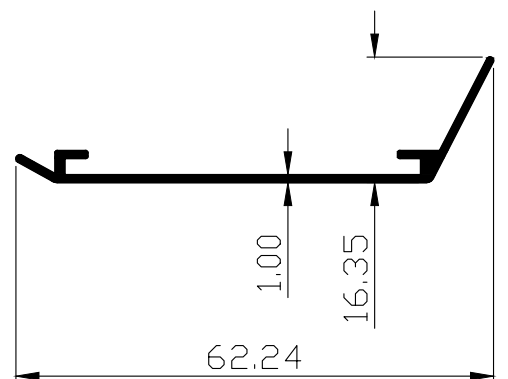
SECTION. NO	WT.Kgs/Mtr
1115/1	0.153



SECTION. NO	WT.Kgs/Mtr
1113/2	0.510

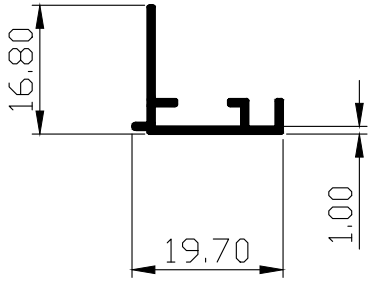


SECTION. NO	WT.Kgs/Mtr
1114/1	0.230

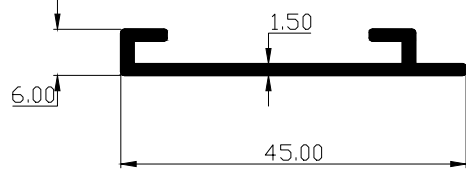


PARAGON ALUMINIUM L.L.P

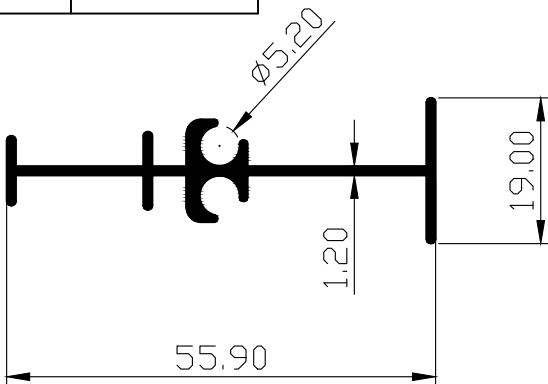
SECTION. NO	WT.Kgs/Mtr
1115/2	0.153



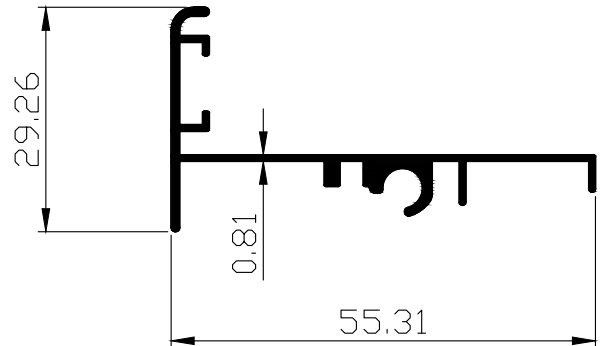
SECTION. NO	WT.Kgs/Mtr
1117	0.257



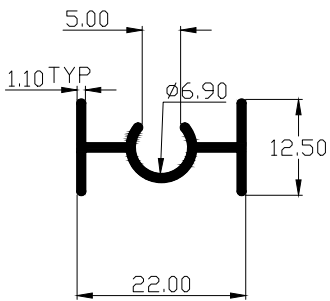
SECTION. NO	WT.Kgs/Mtr
1118	0.398



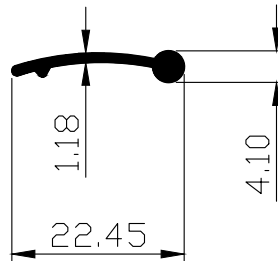
SECTION. NO	WT.Kgs/Mtr
1119	0.355



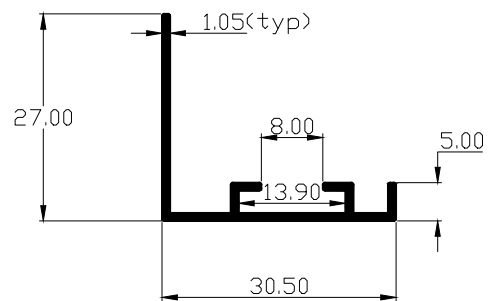
SECTION. NO	WT.Kgs/Mtr
1120	0.164



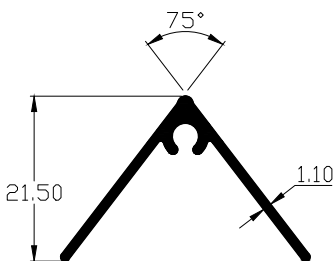
SECTION. NO	WT.Kgs/Mtr
1121	0.099



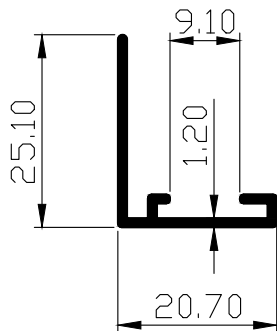
SECTION. NO	WT.Kgs/Mtr
1123	0.210



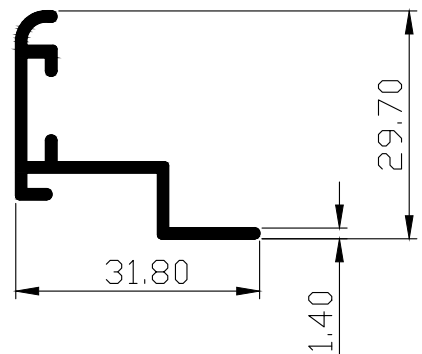
SECTION. NO	WT.Kgs/Mtr
1124	0.189



SECTION. NO	WT.Kgs/Mtr
1125	0.180

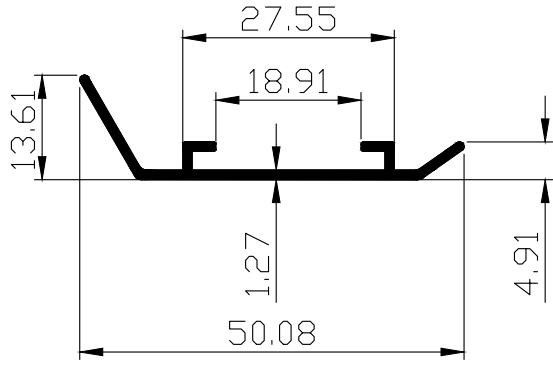


SECTION. NO	WT.Kgs/Mtr
1126	0.299

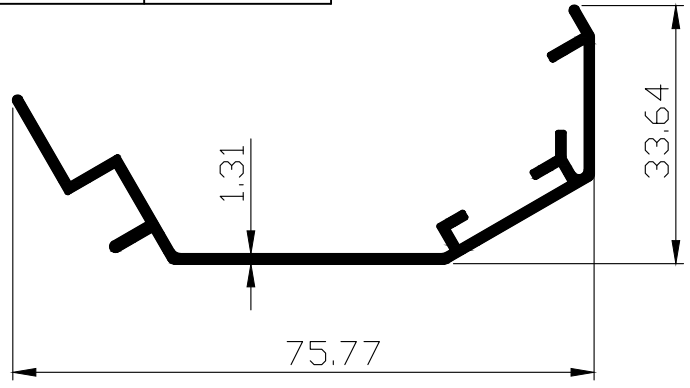


PARAGON ALUMINIUM L.L.P

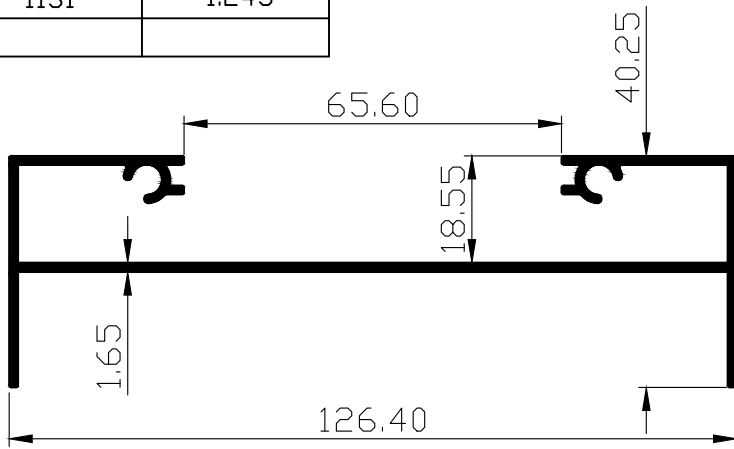
SECTION. NO	WT.Kgs/Mtr
1127/1	0.240



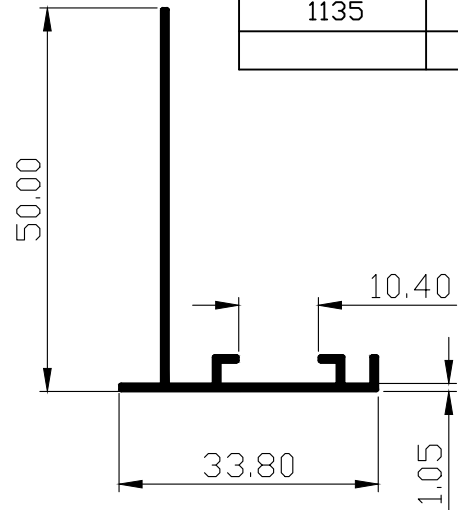
SECTION. NO	WT.Kgs/Mtr
1128	0.495



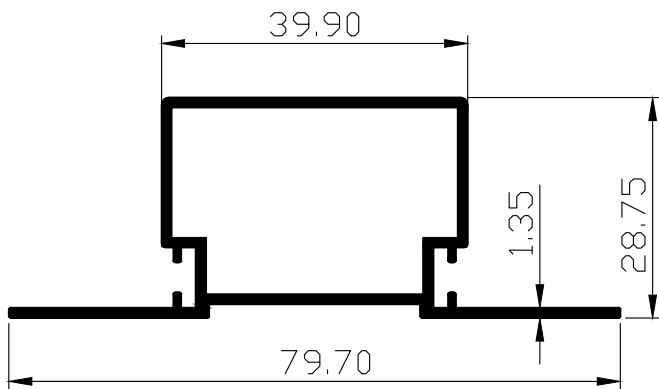
SECTION. NO	WT.Kgs/Mtr
1131	1.245



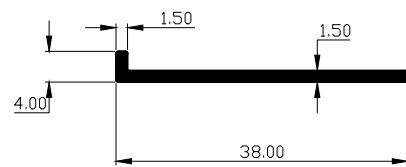
SECTION. NO	WT.Kgs/Mtr
1135	0.278



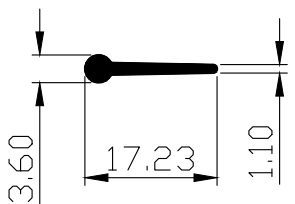
SECTION. NO	WT.Kgs/Mtr
1137	0.665



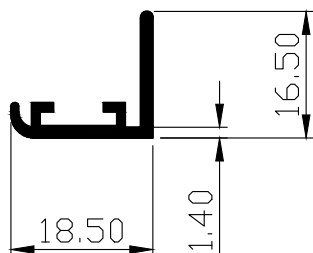
SECTION. NO	WT.Kgs/Mtr
1139	0.163



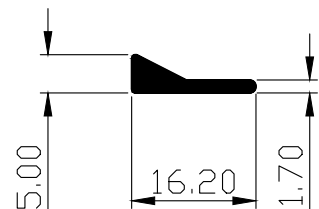
SECTION. NO	WT.Kgs/Mtr
1140	0.077



SECTION. NO	WT.Kgs/Mtr
1142	0.176

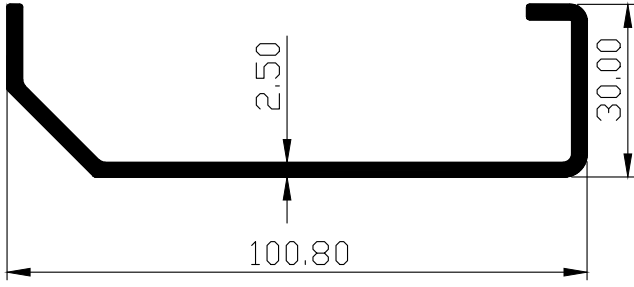


SECTION. NO	WT.Kgs/Mtr
1143/1	0.108

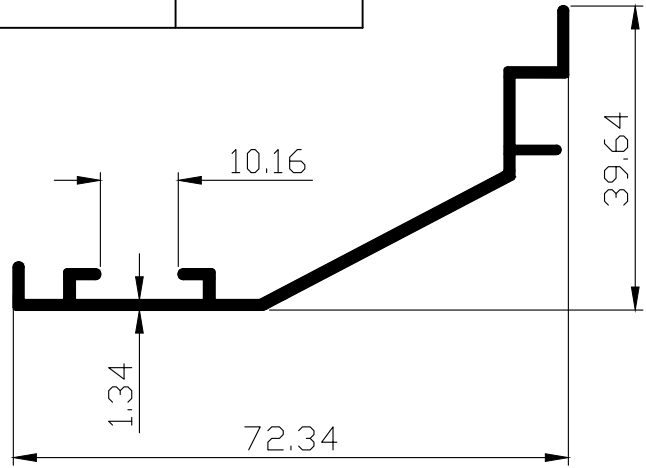


PARAGON ALUMINIUM L.L.P

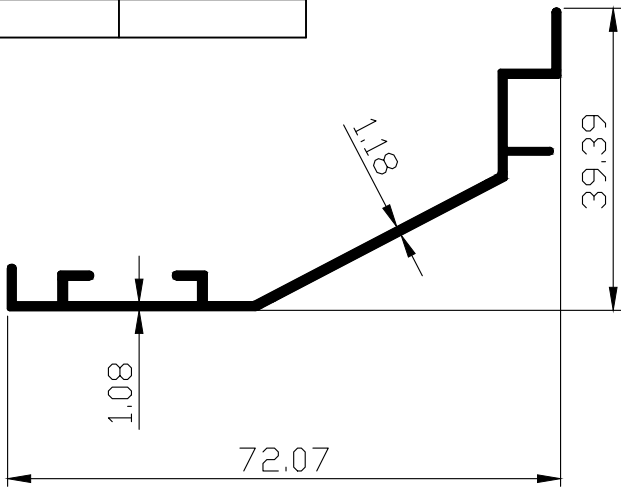
SECTION. NO	WT.Kgs/Mtr
1144	1.059



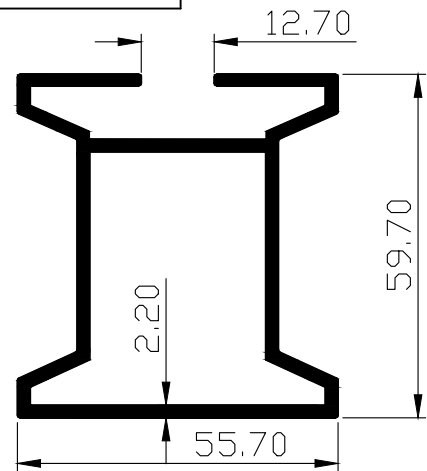
SECTION. NO	WT.Kgs/Mtr
1145	0.452



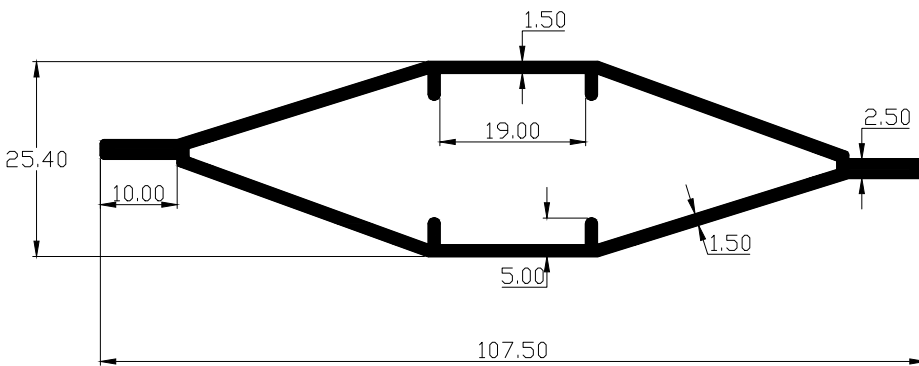
SECTION. NO	WT.Kgs/Mtr
1145/1	0.366



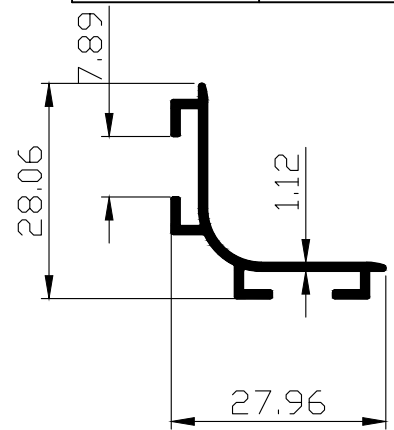
SECTION. NO	WT.Kgs/Mtr
1147	1.554



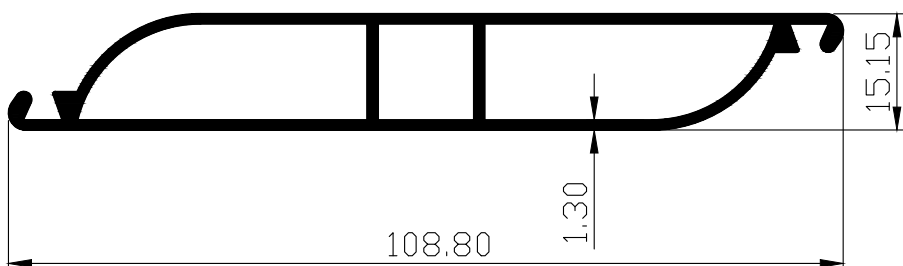
SECTION. NO	WT.Kgs/Mtr
1148	0.932



SECTION. NO	WT.Kgs/Mtr
1149	0.223



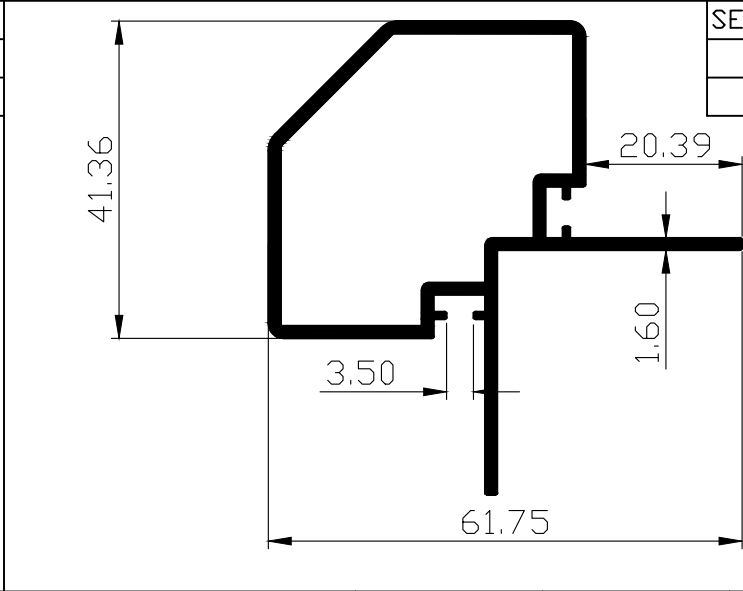
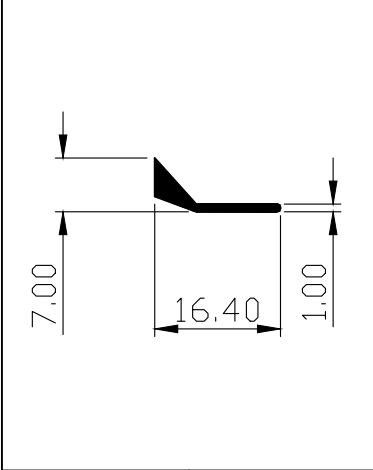
SECTION. NO	WT.Kgs/Mtr
1150	0.919



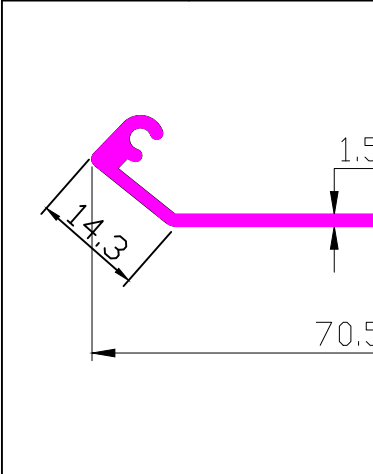
PARAGON ALUMINIUM L.L.P

SECTION. NO	WT.Kgs/Mtr
1155/1	0.073

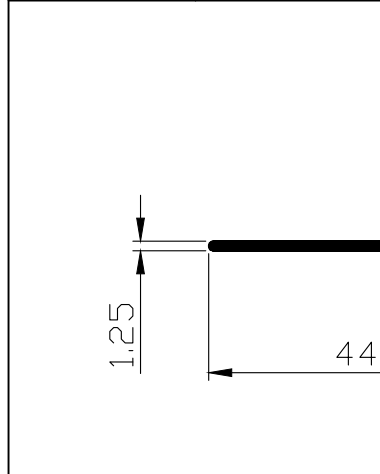
SECTION. NO	WT.Kgs/Mtr
1151	0.893



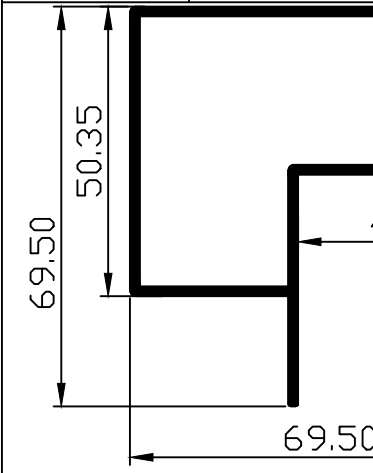
SECTION. NO	WT.Kgs/Mtr
1153	0.421



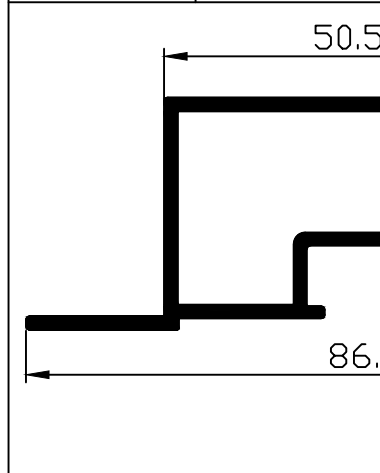
SECTION. NO	WT.Kgs/Mtr
1154	0.253



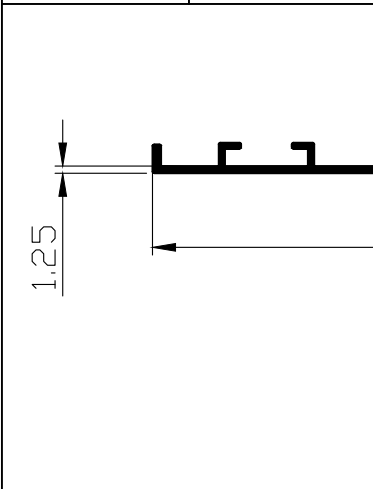
SECTION. NO	WT.Kgs/Mtr
1156	1.066



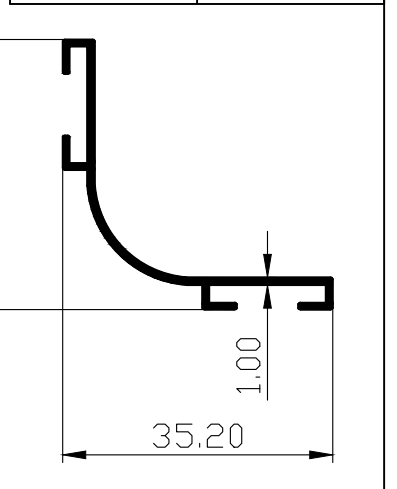
SECTION. NO	WT.Kgs/Mtr
1157	1.025



SECTION. NO	WT.Kgs/Mtr
1158	0.611

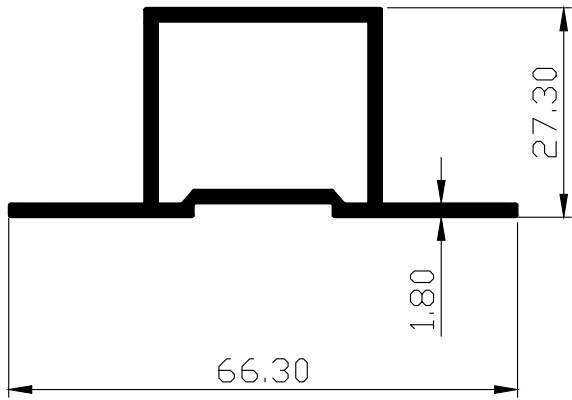


SECTION. NO	WT.Kgs/Mtr
1160	0.220

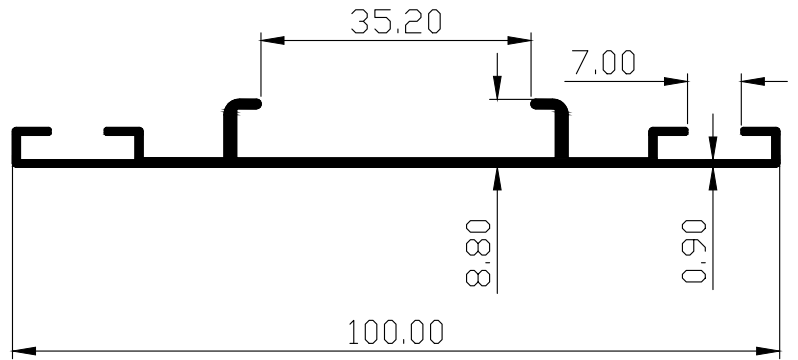


PARAGON ALUMINIUM L.L.P

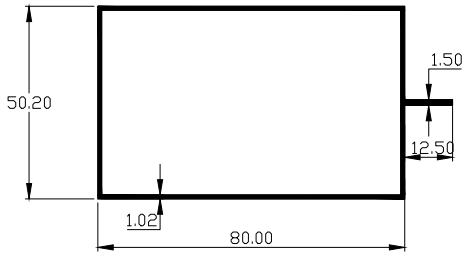
SECTION. NO	WT.Kgs/Mtr
1159	0.711



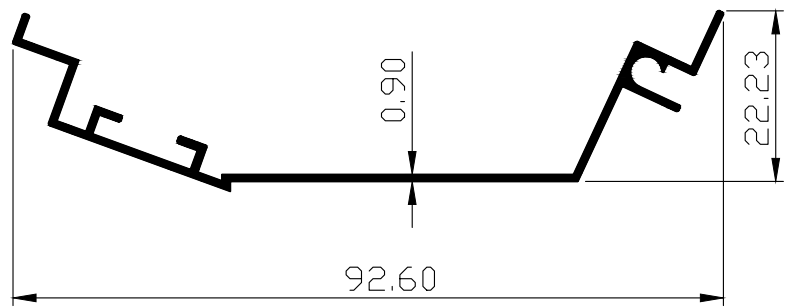
SECTION. NO	WT.Kgs/Mtr
1161	0.454



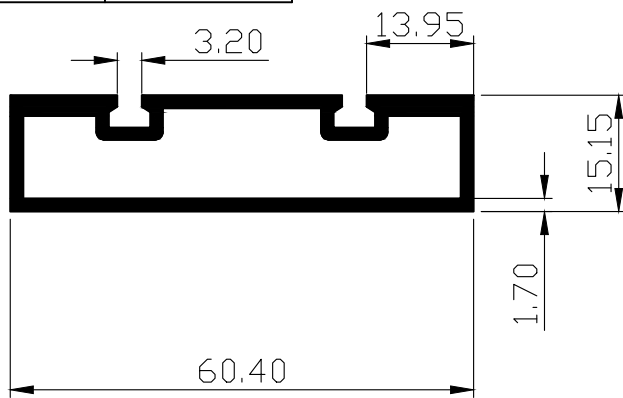
SECTION. NO	WT.Kgs/Mtr
1162	0.757



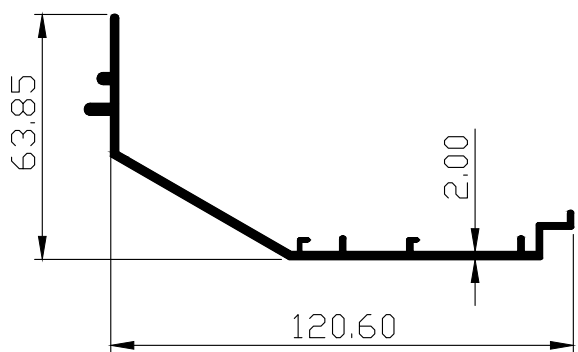
SECTION. NO	WT.Kgs/Mtr
1163	0.369



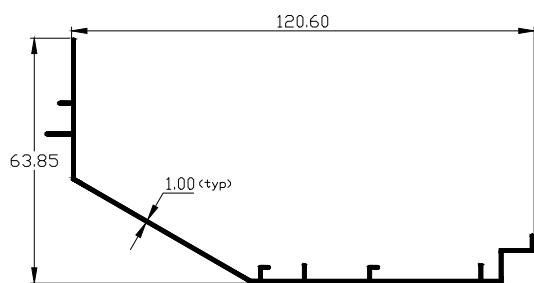
SECTION. NO	WT.Kgs/Mtr
1164	0.803



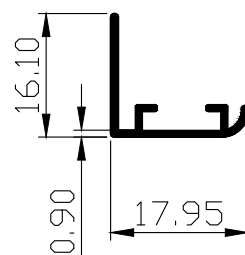
SECTION. NO	WT.Kgs/Mtr
1165	1.054



SECTION. NO	WT.Kgs/Mtr
1165	0.551

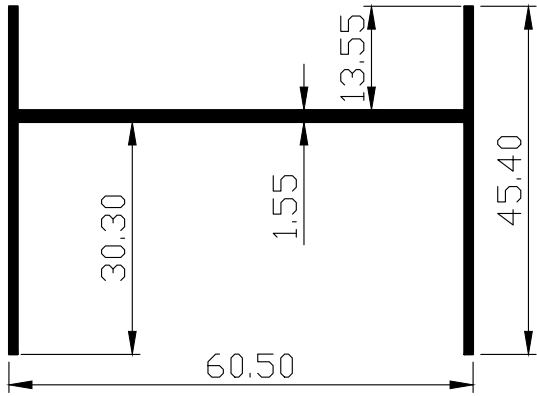


SECTION. NO	WT.Kgs/Mtr
1166	0.111

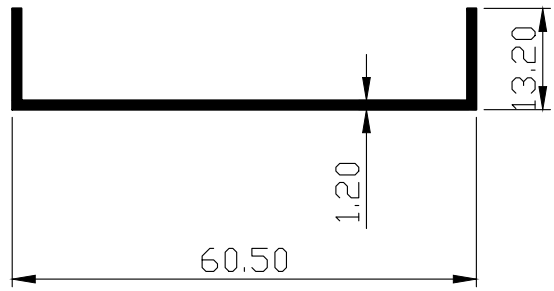


PARAGON ALUMINIUM L.L.P

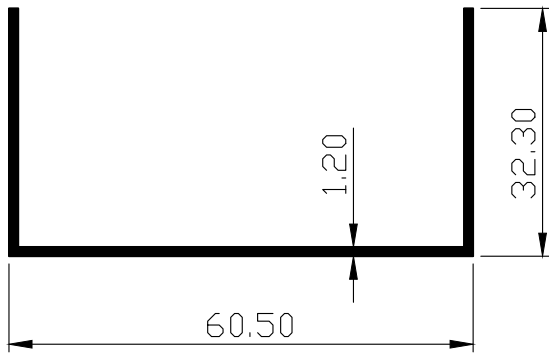
SECTION. NO	WT.Kgs/Mtr
1167	0.526



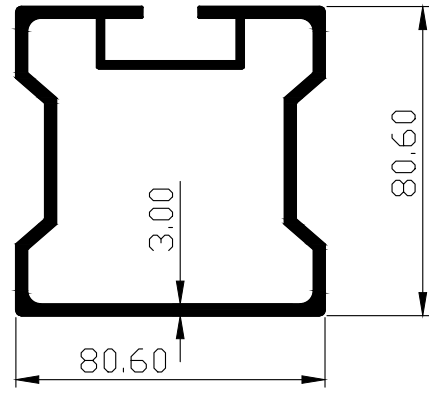
SECTION. NO	WT.Kgs/Mtr
1168	0.274



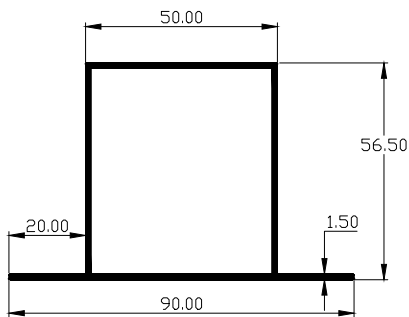
SECTION. NO	WT.Kgs/Mtr
1169	0.398



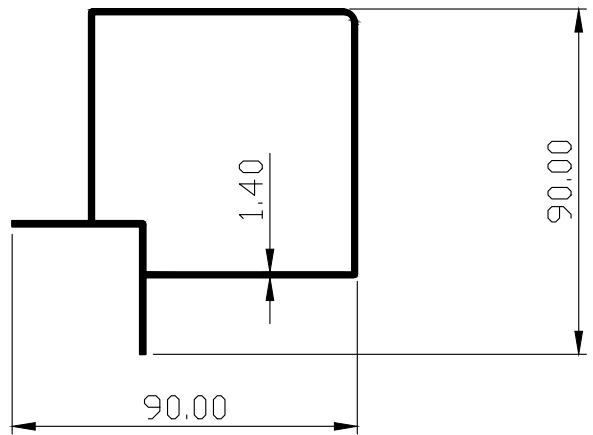
SECTION. NO	WT.Kgs/Mtr
1170	2.859



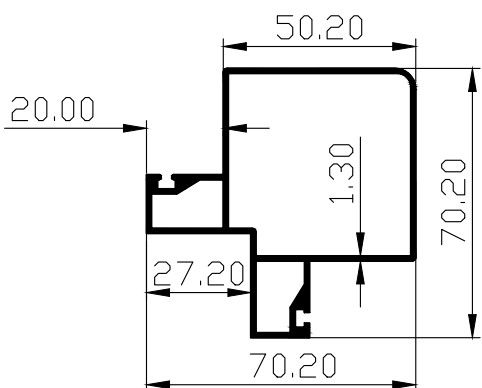
SECTION. NO	WT.Kgs/Mtr
1171	0.958



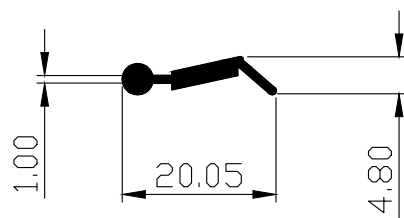
SECTION. NO	WT.Kgs/Mtr
1172	1.198



SECTION. NO	WT.Kgs/Mtr
1173	1.156

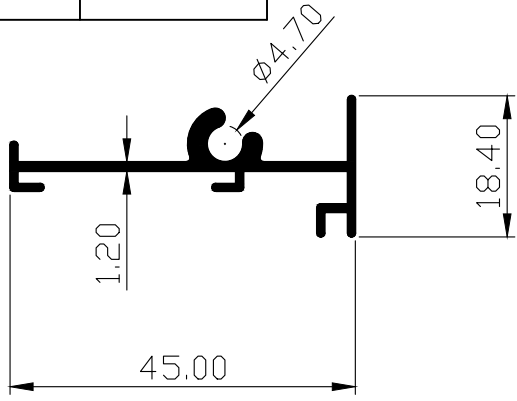


SECTION. NO	WT.Kgs/Mtr
1174	0.112

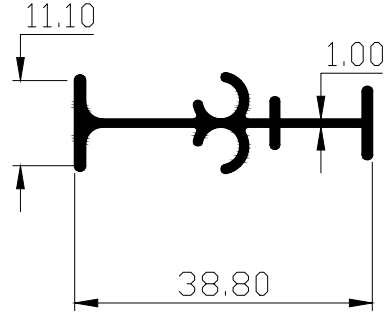


PARAGON ALUMINIUM L.L.P

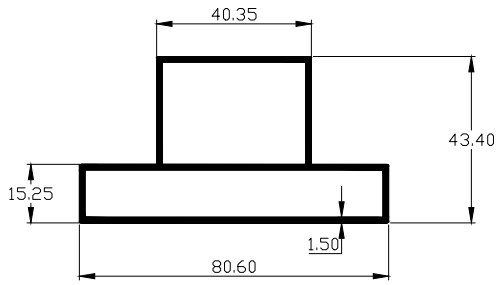
SECTION. NO	WT.Kgs/Mtr
1175	0.330



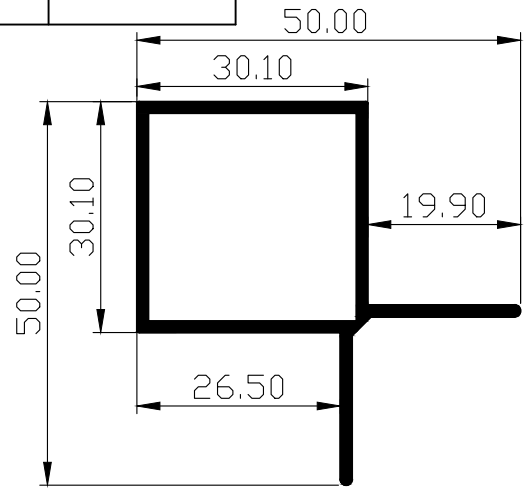
SECTION. NO	WT.Kgs/Mtr
1176	0.263



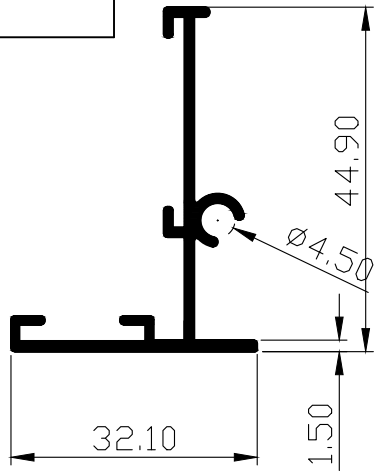
SECTION. NO	WT.Kgs/Mtr
1177	1.130



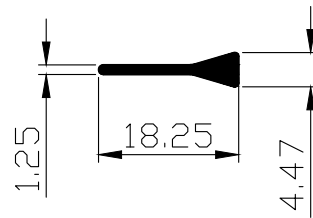
SECTION. NO	WT.Kgs/Mtr
1178	0.625



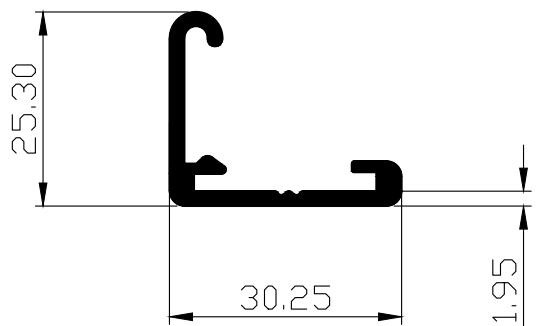
SECTION. NO	WT.Kgs/Mtr
1180	0.401



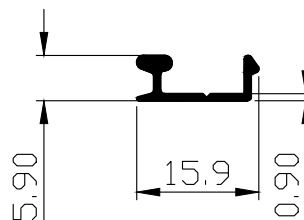
SECTION. NO	WT.Kgs/Mtr
1181	0.089



SECTION. NO	WT.Kgs/Mtr
1182	0.378

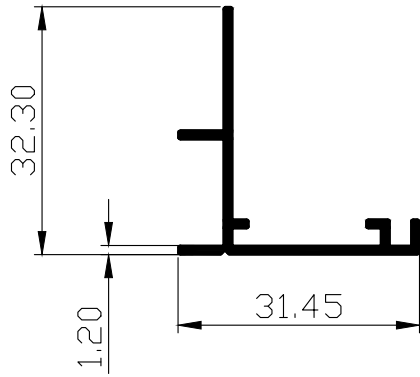


SECTION. NO	WT.Kgs/Mtr
1183	0.080

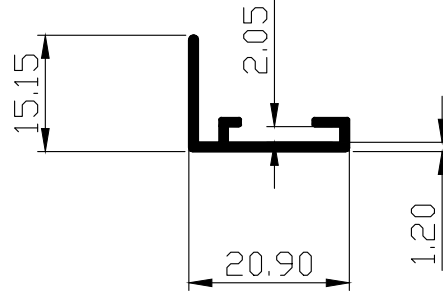


PARAGON ALUMINIUM L.L.P

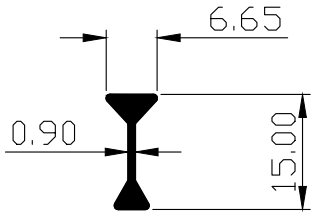
SECTION. NO	WT.Kgs/Mtr
1184	0.254



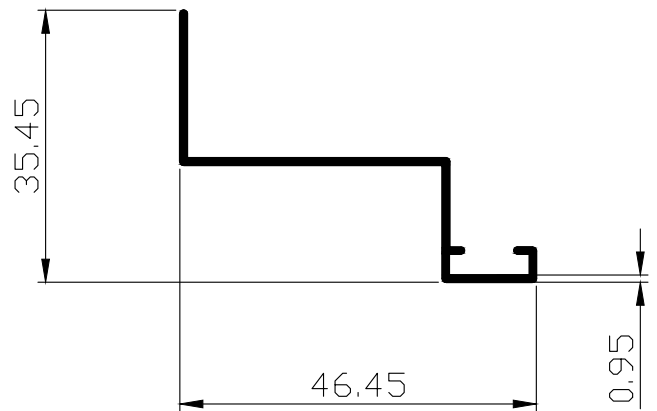
SECTION. NO	WT.Kgs/Mtr
1185	0.149



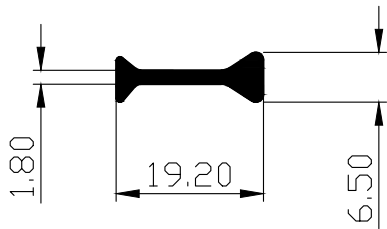
SECTION. NO	WT.Kgs/Mtr
1186	0.092



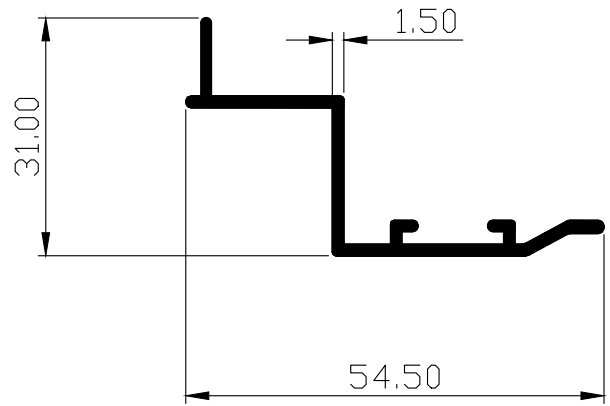
SECTION. NO	WT.Kgs/Mtr
1187	0.224



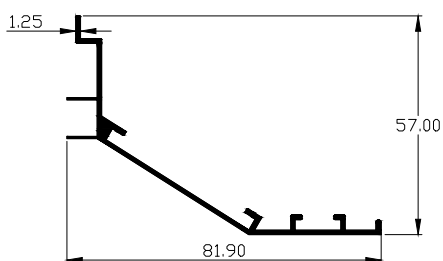
SECTION. NO	WT.Kgs/Mtr
1188	0.151



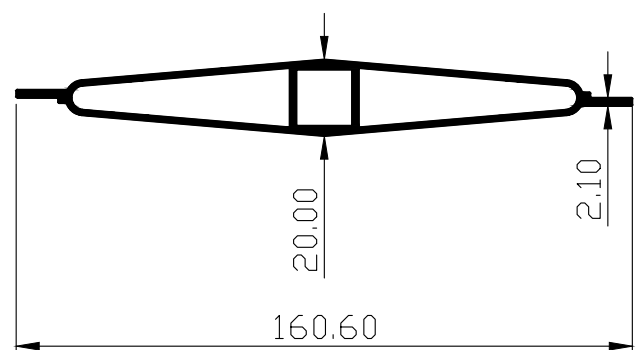
SECTION. NO	WT.Kgs/Mtr
1189	0.377



SECTION. NO	WT.Kgs/Mtr
1190	0.490



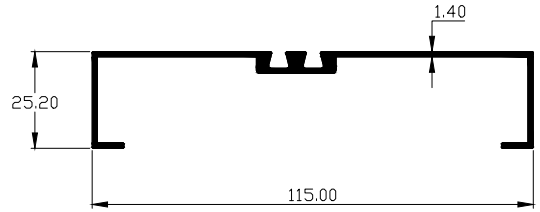
SECTION. NO	WT.Kgs/Mtr
1191	1.500



PARAGON ALUMINIUM L.L.P

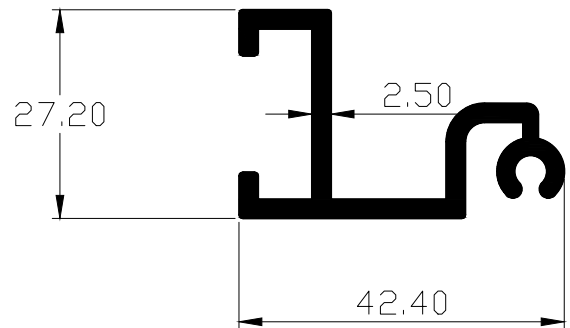
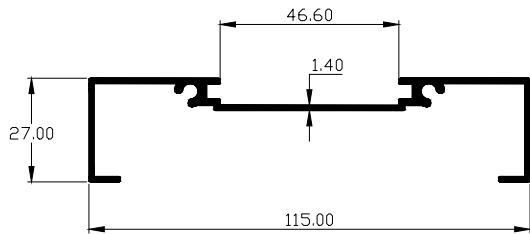
SECTION. NO	WT.Kgs/Mtr
1192	0.853

SECTION. NO	WT.Kgs/Mtr
1193	0.801



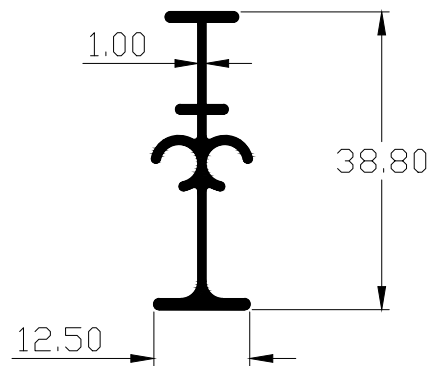
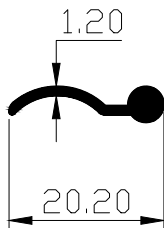
SECTION. NO	WT.Kgs/Mtr
1194	0.860

SECTION. NO	WT.Kgs/Mtr
1195	0.729



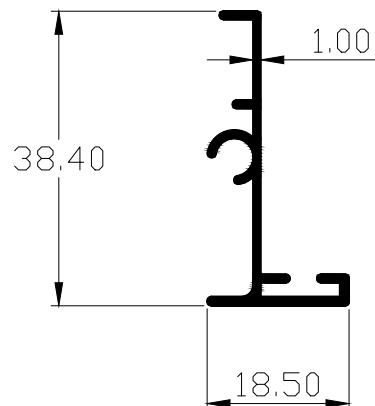
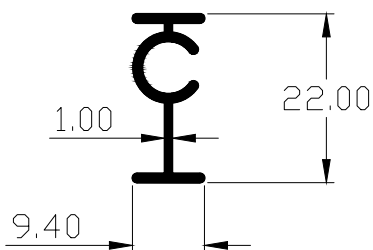
SECTION. NO	WT.Kgs/Mtr
1196	0.101

SECTION. NO	WT.Kgs/Mtr
1197	0.263



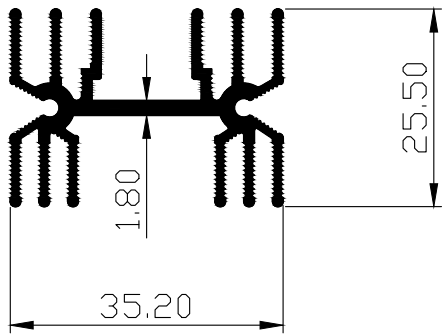
SECTION. NO	WT.Kgs/Mtr
1198	0.157

SECTION. NO	WT.Kgs/Mtr
1199	0.241

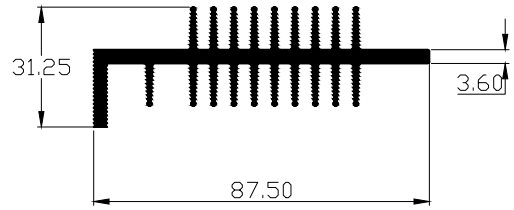


PARAGON ALUMINIUM L.L.P

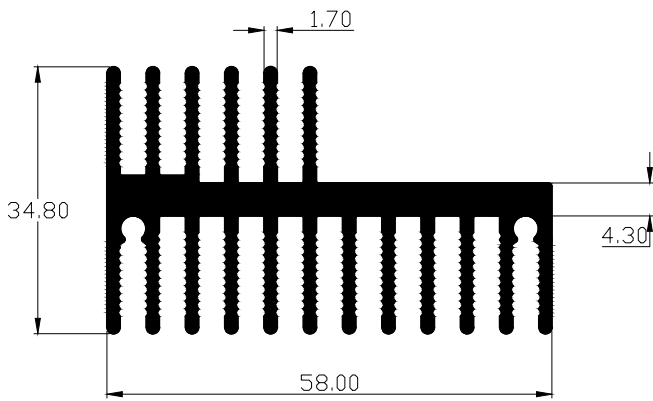
SECTION. NO	WT.Kgs/Mtr
06001	0.610



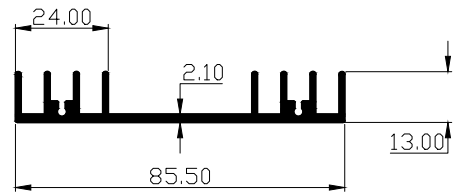
SECTION. NO	WT.Kgs/Mtr
06002	1.646
P-16	



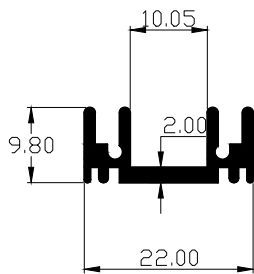
SECTION. NO	WT.Kgs/Mtr
06003	1.819



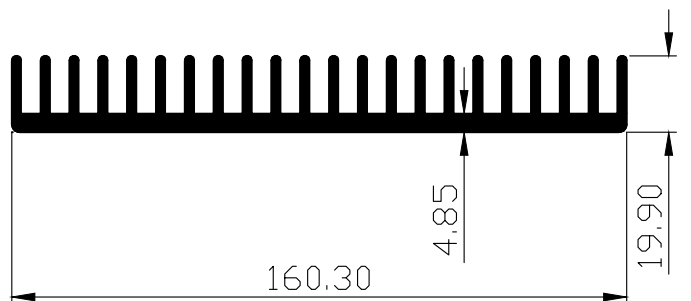
SECTION. NO	WT.Kgs/Mtr
06004	0.885



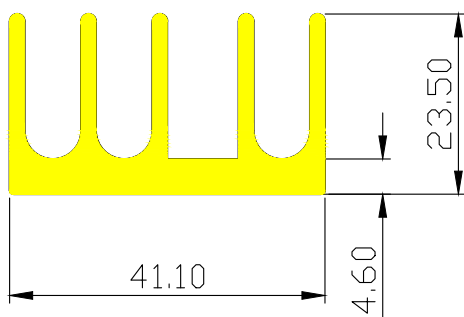
SECTION. NO	WT.Kgs/Mtr
06005	0.236



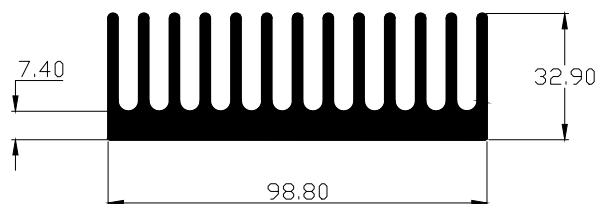
SECTION. NO	WT.Kgs/Mtr
06006	4.208
P-16	



SECTION. NO	WT.Kgs/Mtr
06007	1.045

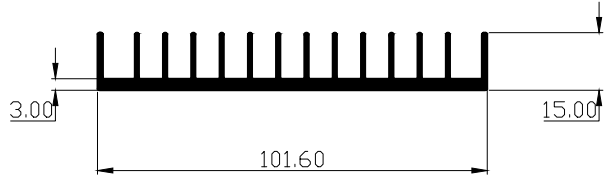


SECTION. NO	WT.Kgs/Mtr
06008	4.336
P-16	

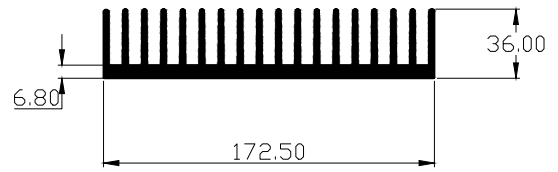


PARAGON ALUMINIUM L.L.P

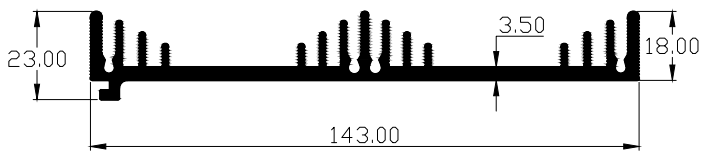
SECTION. NO	WT.Kgs/Mtr
06009	1.337
P-16	



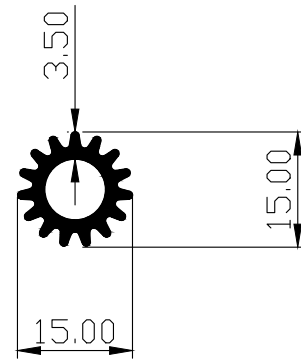
SECTION. NO	WT.Kgs/Mtr
06010	6.136
P-16	



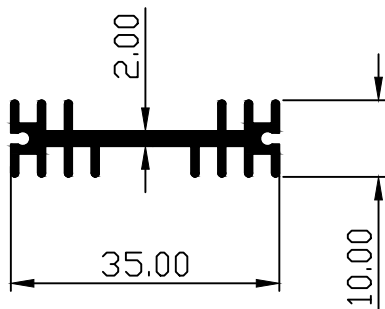
SECTION. NO	WT.Kgs/Mtr
06011	2.078
P-16	



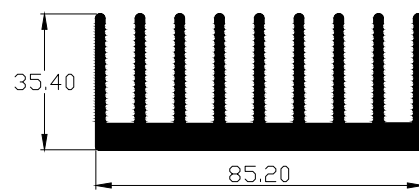
SECTION. NO	WT.Kgs/Mtr
06012	0.215



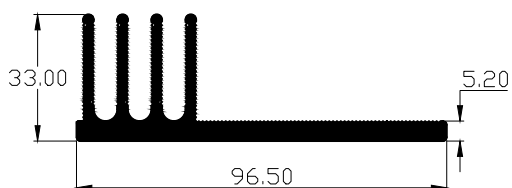
SECTION. NO	WT.Kgs/Mtr
06013	0.342



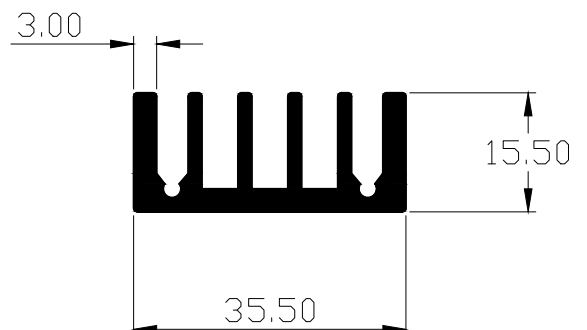
SECTION. NO	WT.Kgs/Mtr
06014	3.101
P-16	



SECTION. NO	WT.Kgs/Mtr
06015	2.076
P-16	

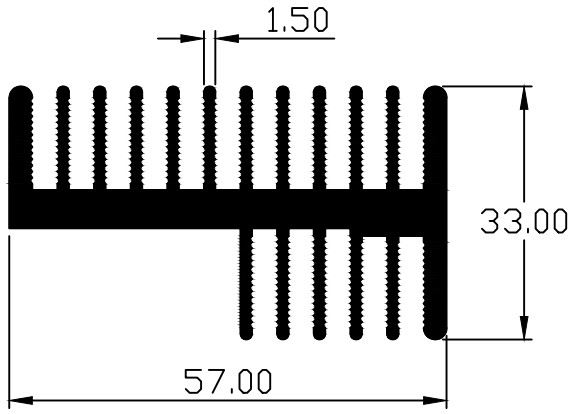


SECTION. NO	WT.Kgs/Mtr
06016	0.734

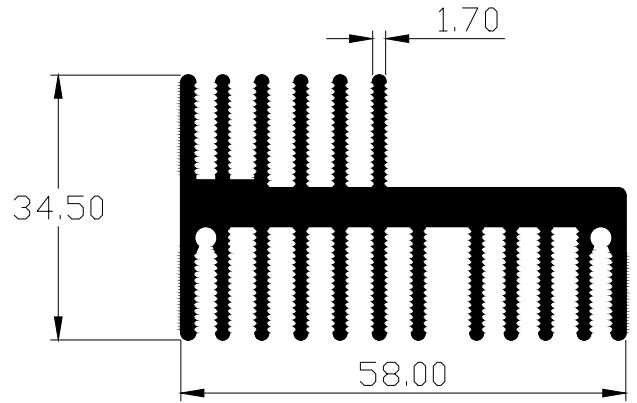


PARAGON ALUMINIUM L.L.P

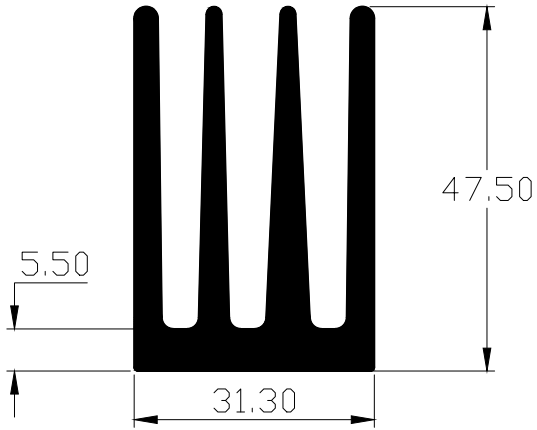
SECTION. NO	WT.Kgs/Mtr
06017	1.798
P-16	



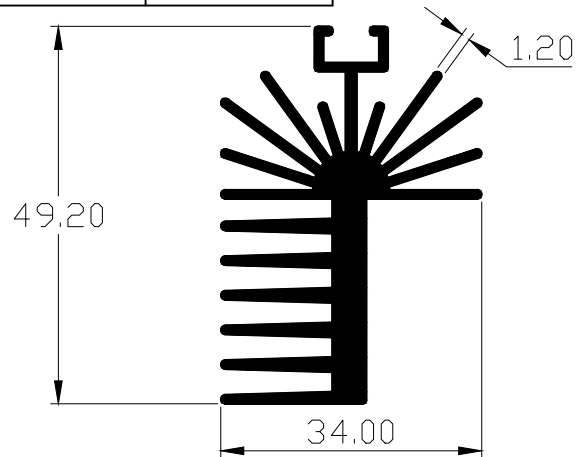
SECTION. NO	WT.Kgs/Mtr
06018	1.799
P-16	



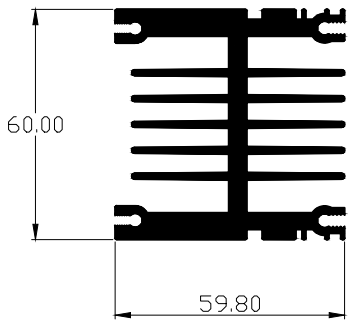
SECTION. NO	WT.Kgs/Mtr
06019	2.00
P-16	



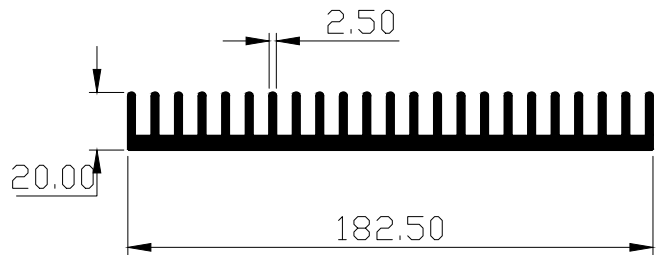
SECTION. NO	WT.Kgs/Mtr
06020	1.329
P-16	



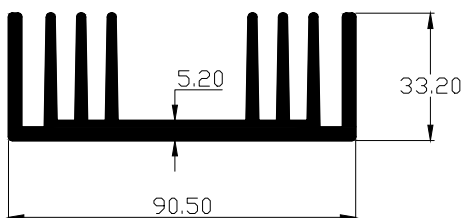
SECTION. NO	WT.Kgs/Mtr
06021	3.766
P-16	



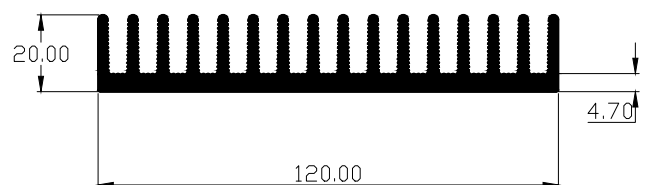
SECTION. NO	WT.Kgs/Mtr
06022	4.750
P-16	



SECTION. NO	WT.Kgs/Mtr
06023	2.933
P-16	

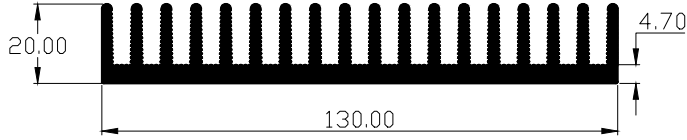


SECTION. NO	WT.Kgs/Mtr
06024	3.101
P-16	

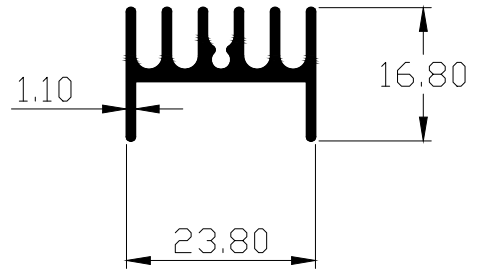


PARAGON ALUMINIUM L.L.P

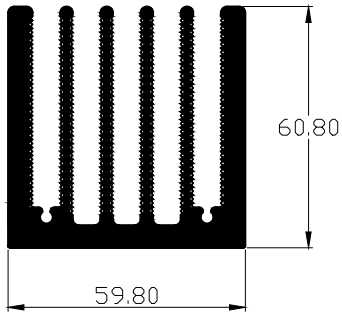
SECTION. NO	WT.Kgs/Mtr
06025	3.409
P-16	



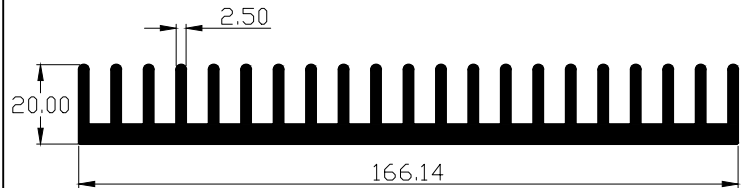
SECTION. NO	WT.Kgs/Mtr
06026	0.304



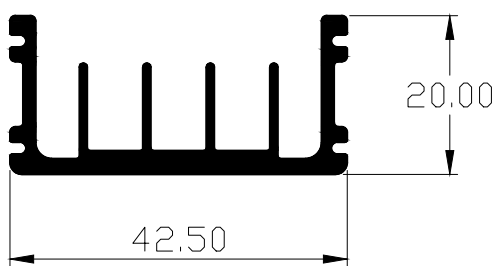
SECTION. NO	WT.Kgs/Mtr
06027	4.438
P-16	



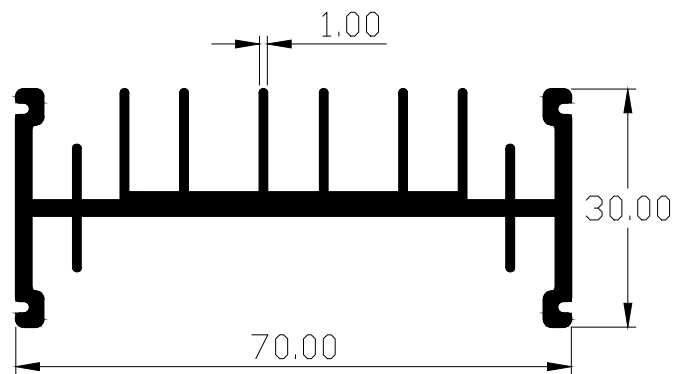
SECTION. NO	WT.Kgs/Mtr
06028	4.330
P-16	



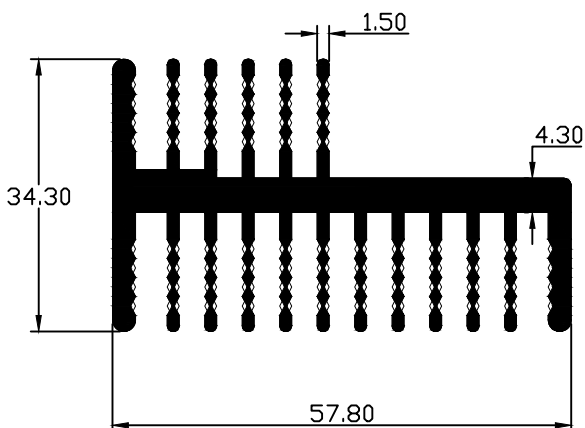
SECTION. NO	WT.Kgs/Mtr
06029	0.623
P-16	



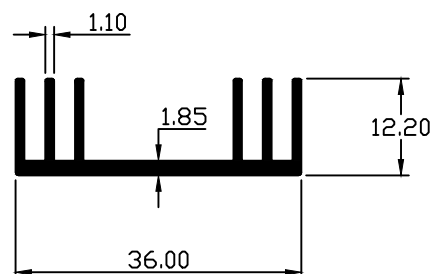
SECTION. NO	WT.Kgs/Mtr
06030	1.121
P-16	



SECTION. NO	WT.Kgs/Mtr
06031	1.810
P-16	

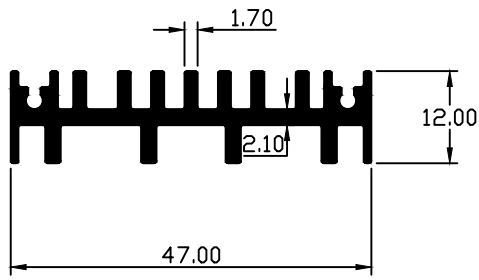


SECTION. NO	WT.Kgs/Mtr
06032	0.363

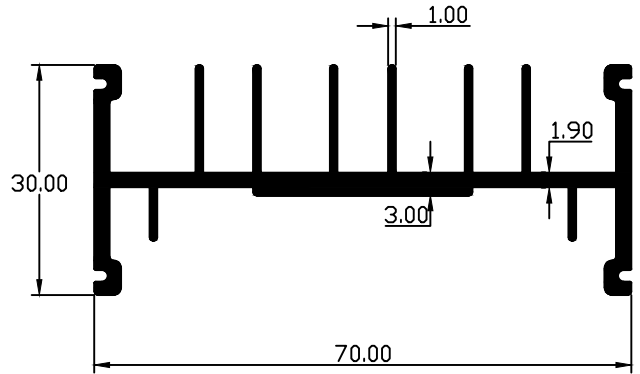


PARAGON ALUMINIUM L.L.P

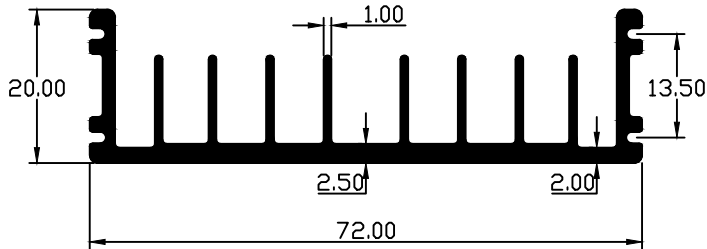
SECTION. NO	WT.Kgs/Mtr
06033	0.649



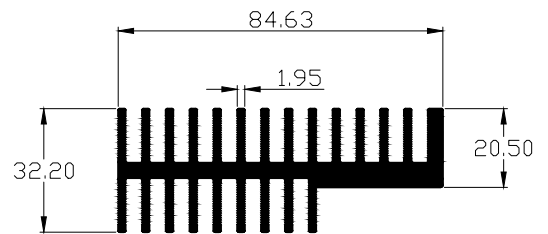
SECTION. NO	WT.Kgs/Mtr
06034	1.052
P-16	



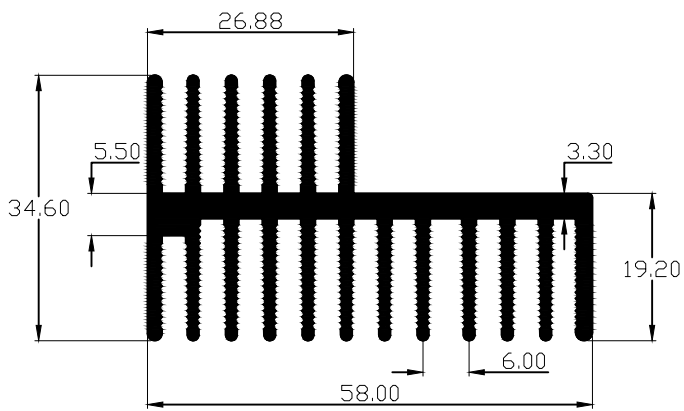
SECTION. NO	WT.Kgs/Mtr
6035	0.921
P-16	



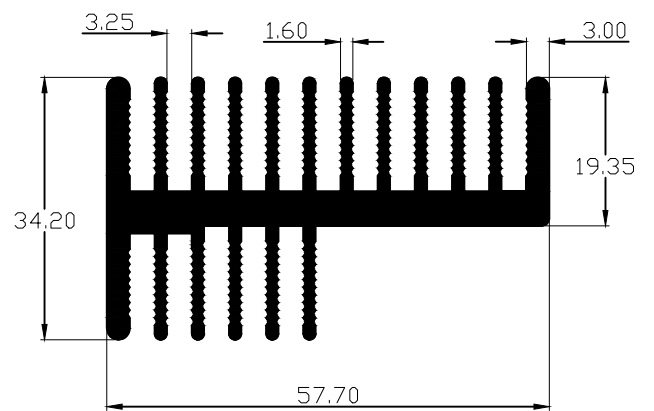
SECTION. NO	WT.Kgs/Mtr
06036	2.713
P-16	



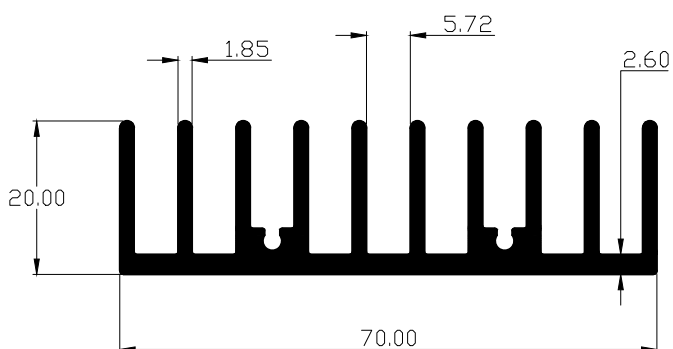
SECTION. NO	WT.Kgs/Mtr
6037	1.702
P-16	



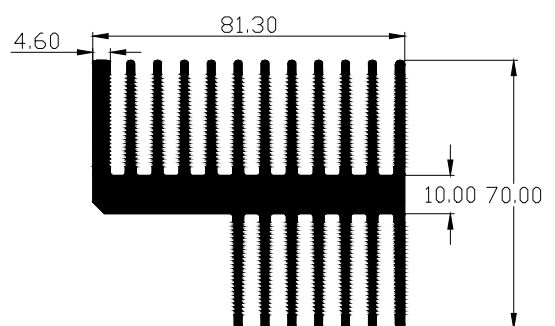
SECTION. NO	WT.Kgs/Mtr
6038	1.887
P-16	



SECTION. NO	WT.Kgs/Mtr
6039	1.455
P-16	

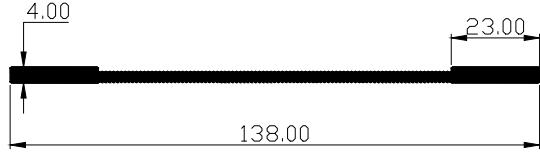


SECTION. NO	WT.Kgs/Mtr
6040	5.549
P-16	

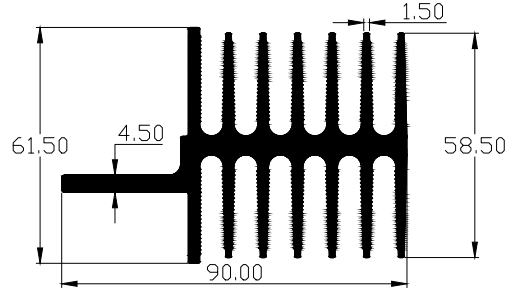


PARAGON ALUMINIUM L.L.P

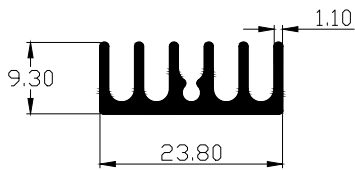
SECTION. NO	WT.Kgs/Mtr
6041	1.167
P-16	



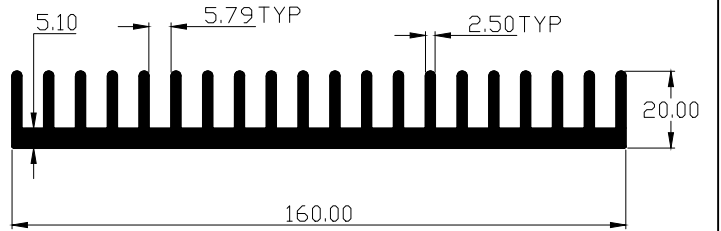
SECTION. NO	WT.Kgs/Mtr
6042	3.964
P-16	



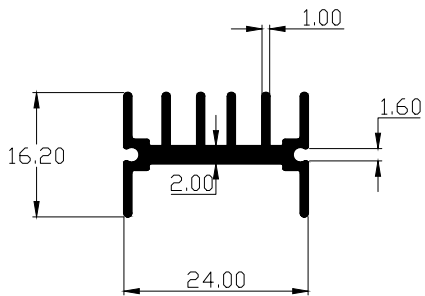
SECTION. NO	WT.Kgs/Mtr
6043	0.260



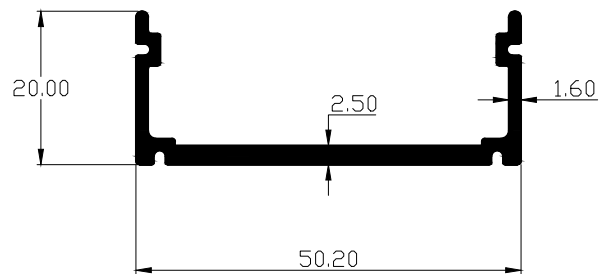
SECTION. NO	WT.Kgs/Mtr
6044	4.178
P-16	



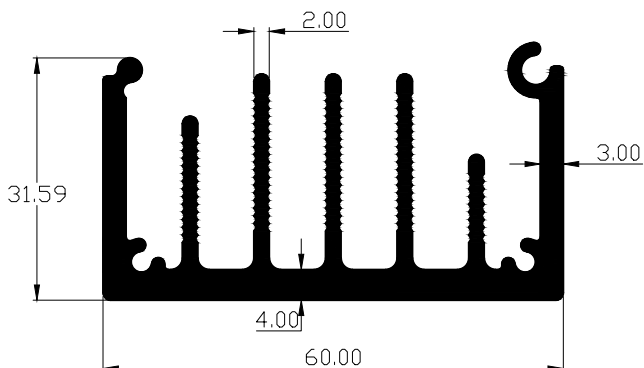
SECTION. NO	WT.Kgs/Mtr
6045	0.287



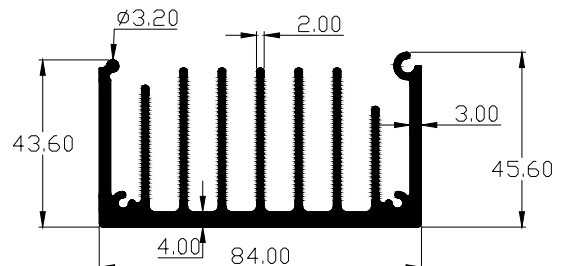
SECTION. NO	WT.Kgs/Mtr
6046	0.514
P-16	



SECTION. NO	WT.Kgs/Mtr
6047	1.712
P-16	

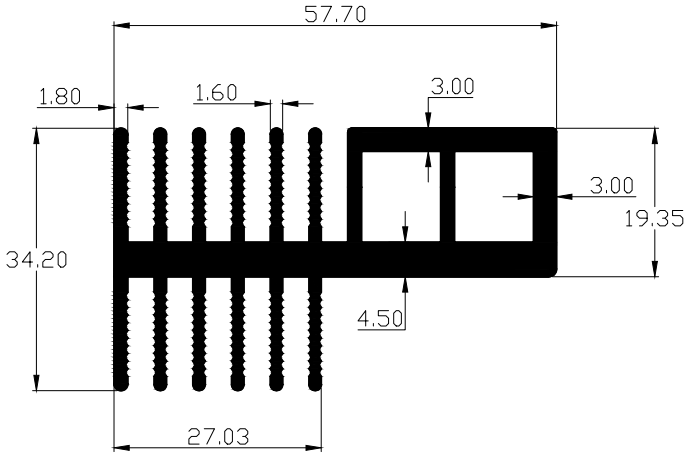


SECTION. NO	WT.Kgs/Mtr
6048	2.885
P-16	

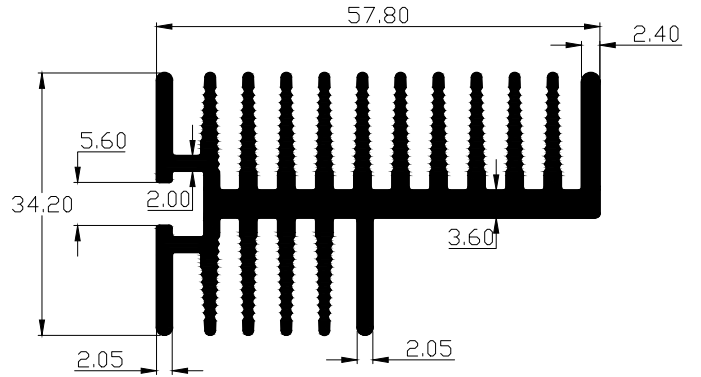


PARAGON ALUMINIUM L.L.P

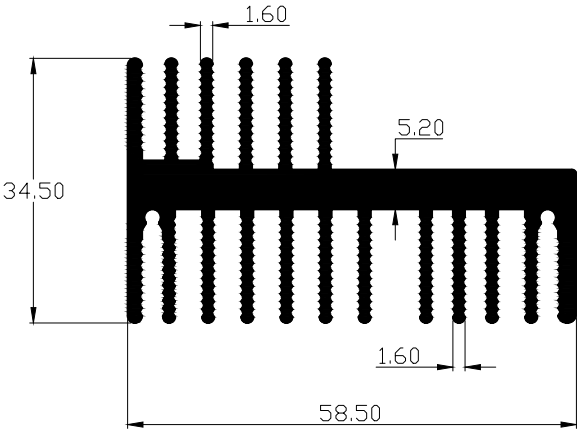
SECTION. NO	WT.Kgs/Mtr
6049	1.810
P-16	



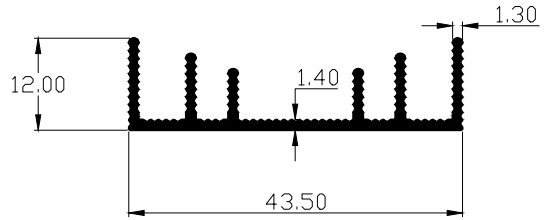
SECTION. NO	WT.Kgs/Mtr
6050	1.797
P-16	



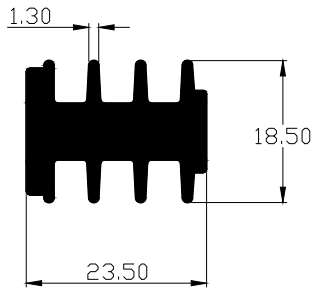
SECTION. NO	WT.Kgs/Mtr
6051	1.869
P-16	



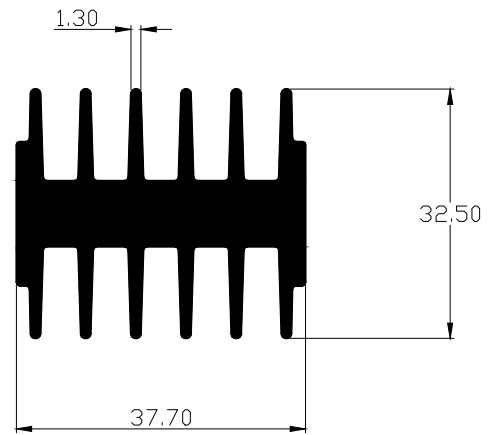
SECTION. NO	WT.Kgs/Mtr
6052	0.294



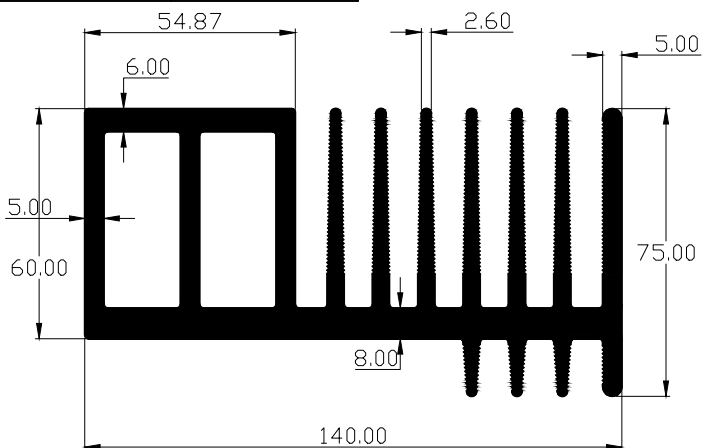
SECTION. NO	WT.Kgs/Mtr
6053	0.714



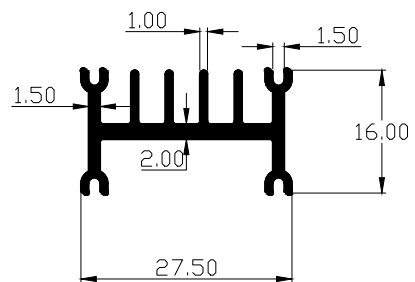
SECTION. NO	WT.Kgs/Mtr
6054	1.589



SECTION. NO	WT.Kgs/Mtr
6055	9.843

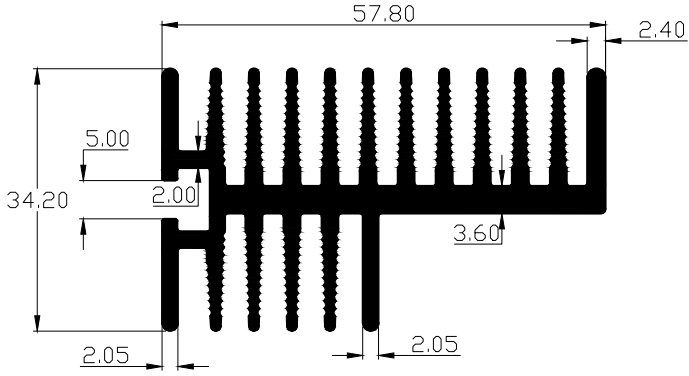


SECTION. NO	WT.Kgs/Mtr
6056	0.347

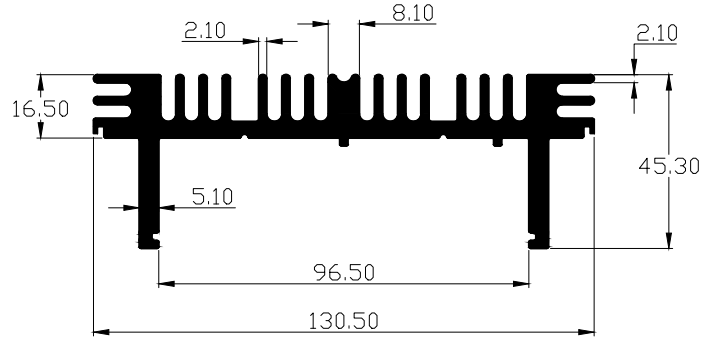


PARAGON ALUMINIUM L.L.P

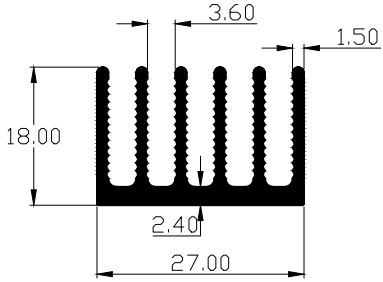
SECTION. NO	WT.Kgs/Mtr
6057	1.797



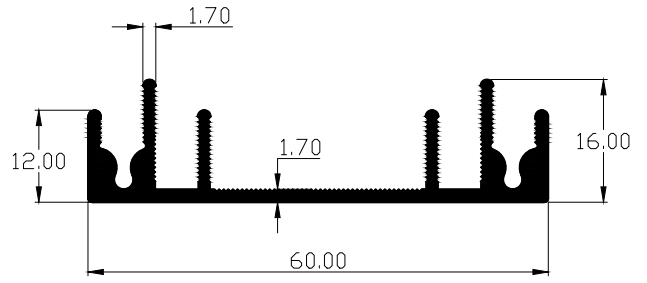
SECTION. NO	WT.Kgs/Mtr
6058	4.158
P-16	



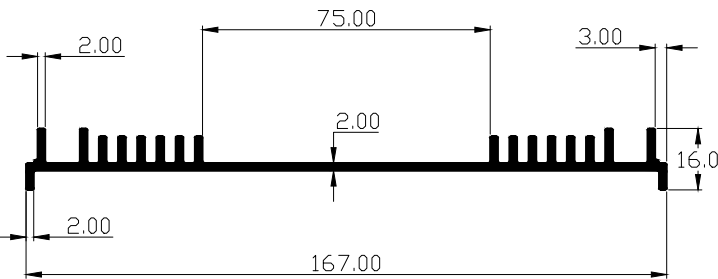
SECTION. NO	WT.Kgs/Mtr
6059	0.503



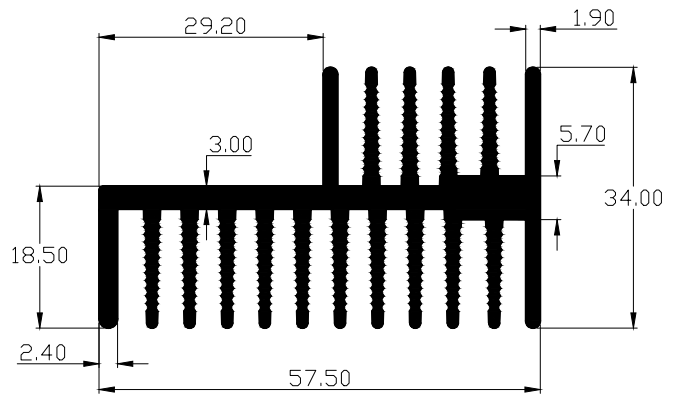
SECTION. NO	WT.Kgs/Mtr
6060	0.612
P-16	



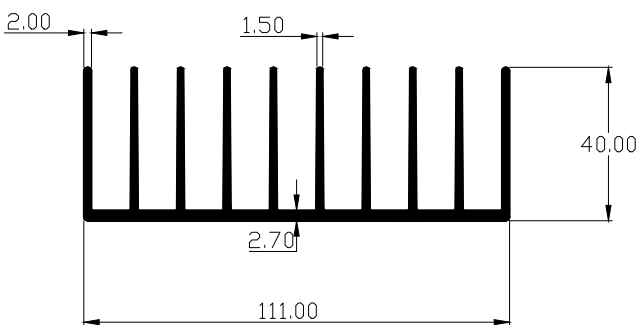
SECTION. NO	WT.Kgs/Mtr
6061	1.607



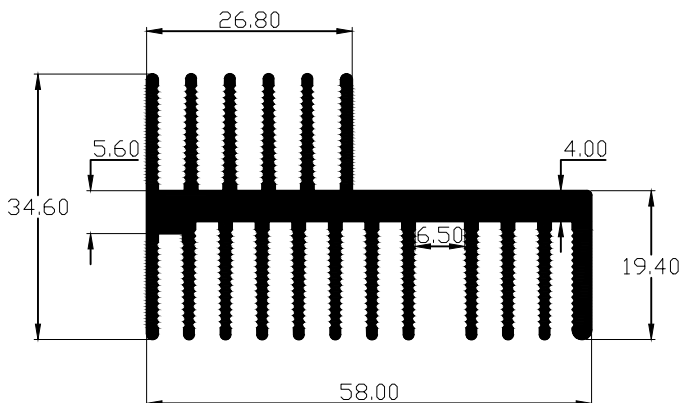
SECTION. NO	WT.Kgs/Mtr
6062	1.754
P-16	



SECTION. NO	WT.Kgs/Mtr
6063	2.612
P-16	

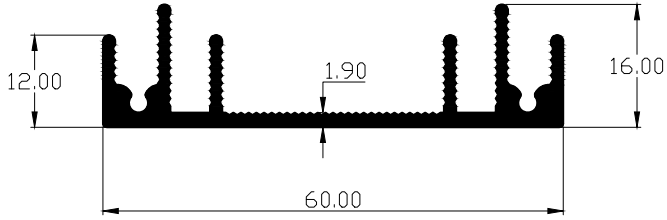


SECTION. NO	WT.Kgs/Mtr
6064	1.617
P-16	

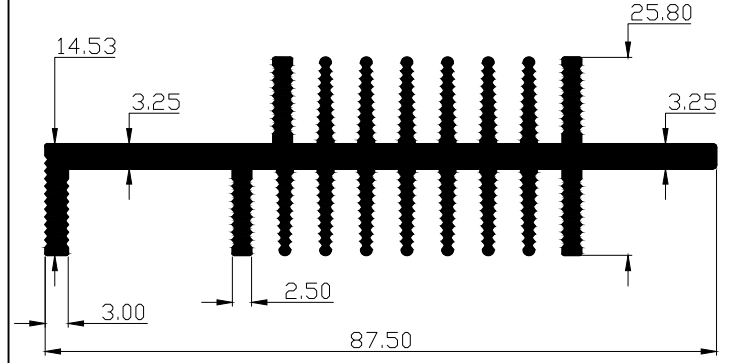


PARAGON ALUMINIUM L.L.P

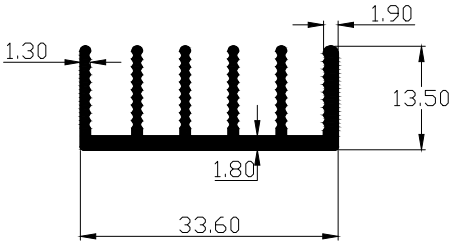
SECTION. NO	WT.Kgs/Mtr
6065	0.618
P-16	



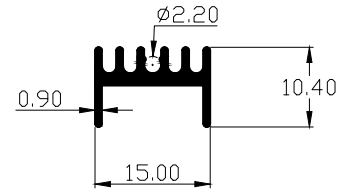
SECTION. NO	WT.Kgs/Mtr
6066	1.652
P-16	



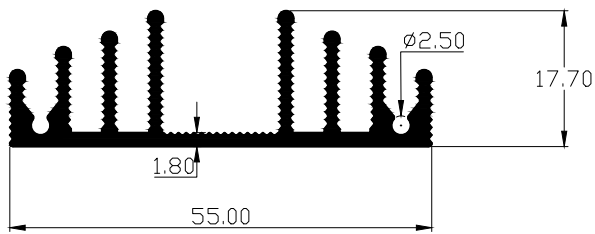
SECTION. NO	WT.Kgs/Mtr
6067	0.384



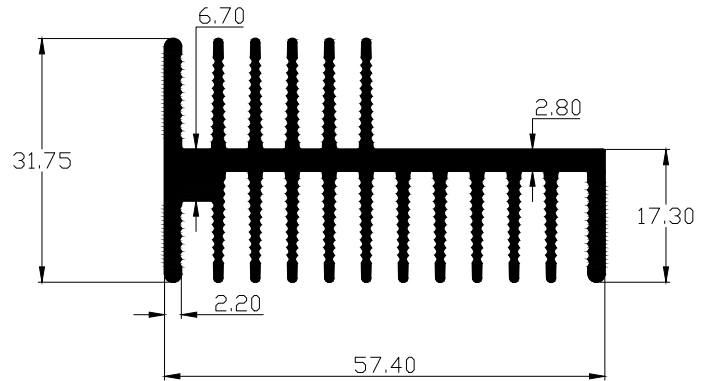
SECTION. NO	WT.Kgs/Mtr
6068	0.144



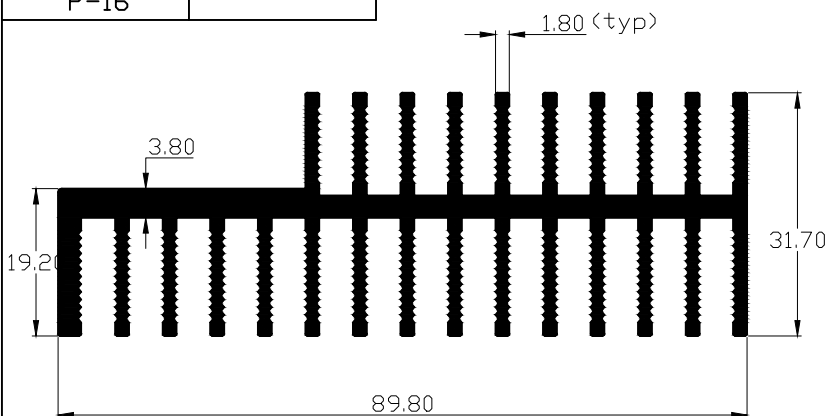
SECTION. NO	WT.Kgs/Mtr
6069	0.663



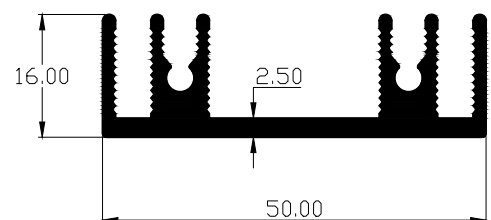
SECTION. NO	WT.Kgs/Mtr
6070	1.396
P-16	



SECTION. NO	WT.Kgs/Mtr
6071	2.323
P-16	

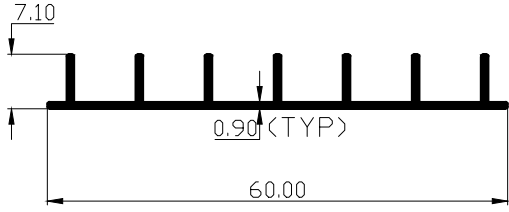


SECTION. NO	WT.Kgs/Mtr
6072	0.756

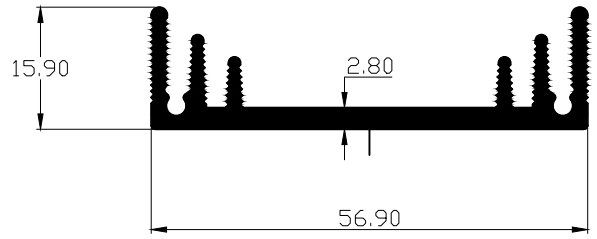


PARAGON ALUMINIUM L.L.P

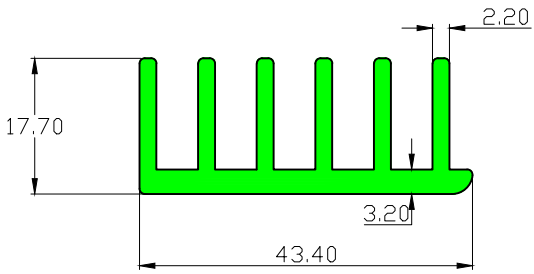
SECTION. NO	WT.Kgs/Mtr
6073	0.262



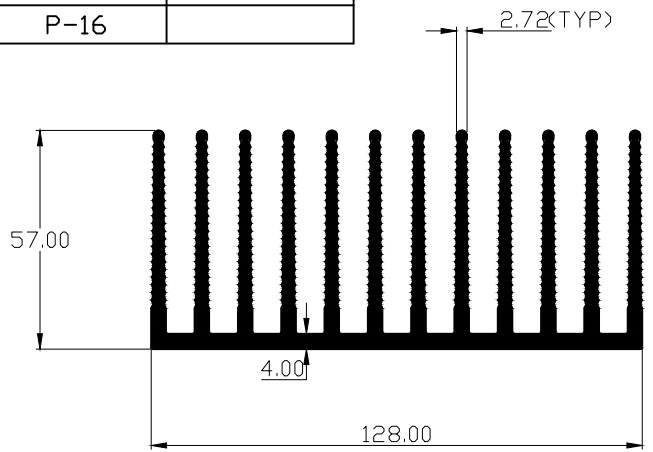
SECTION. NO	WT.Kgs/Mtr
6074	0.687



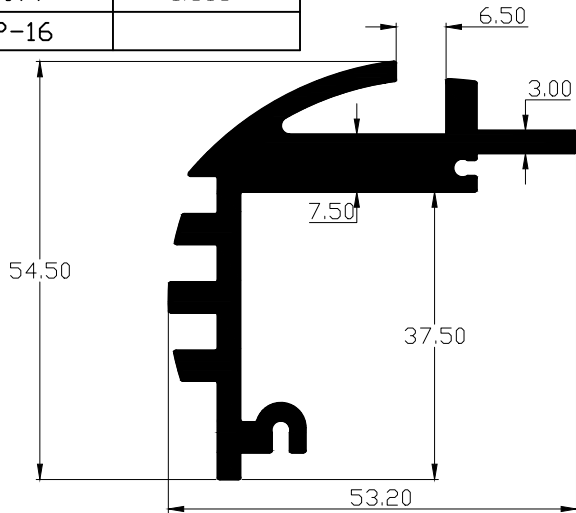
SECTION. NO	WT.Kgs/Mtr
6075	0.883
P-16	



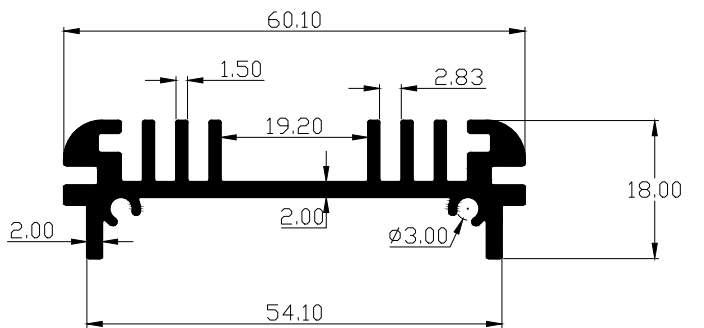
SECTION. NO	WT.Kgs/Mtr
6076	6.406
P-16	



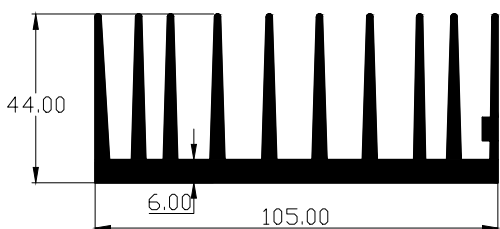
SECTION. NO	WT.Kgs/Mtr
6077	1.616
P-16	



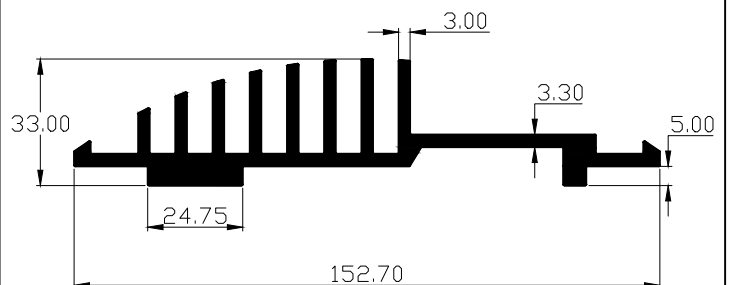
SECTION. NO	WT.Kgs/Mtr
6078	0.849
P-16	



SECTION. NO	WT.Kgs/Mtr
6079	4.273

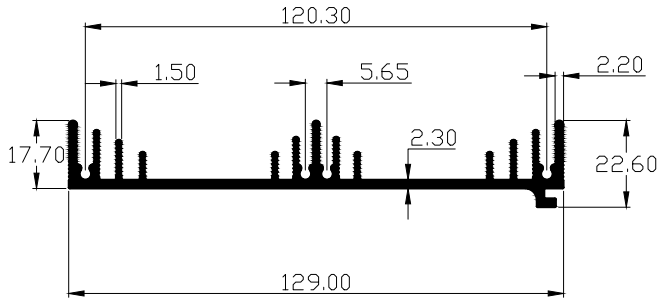


SECTION. NO	WT.Kgs/Mtr
6080	3.284

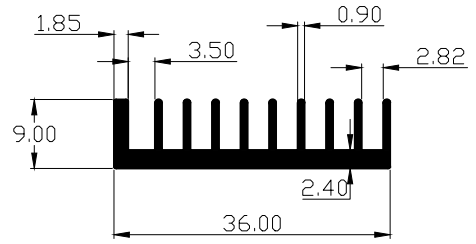


PARAGON ALUMINIUM L.L.P

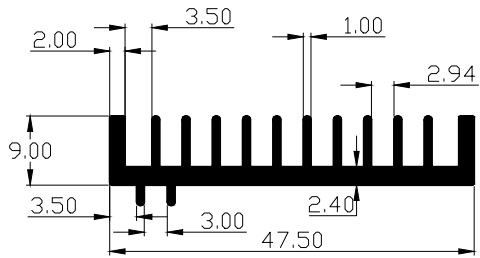
SECTION. NO	WT.Kgs/Mtr
6081	1.483
P-16	



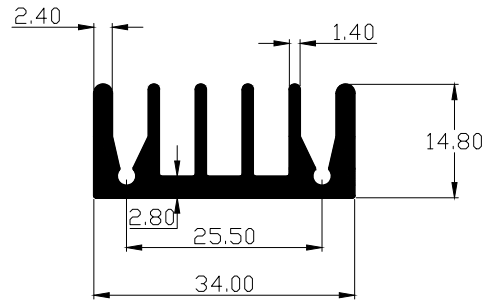
SECTION. NO	WT.Kgs/Mtr
6082	0.408



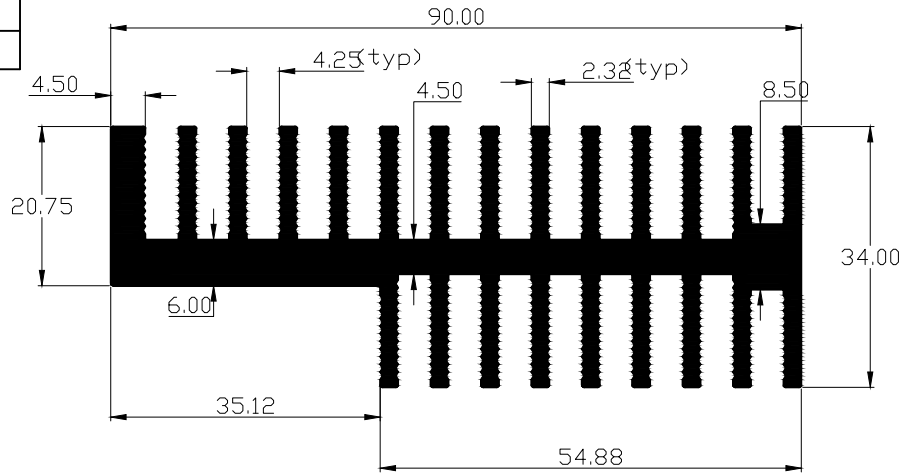
SECTION. NO	WT.Kgs/Mtr
6083	0.567



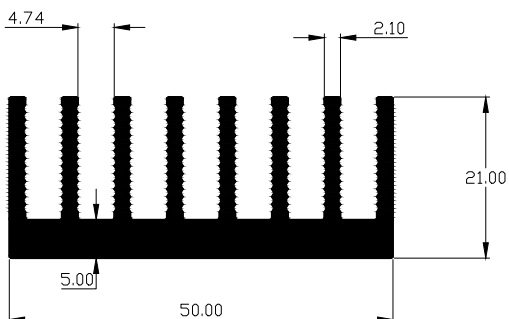
SECTION. NO	WT.Kgs/Mtr
6084	0.623
P-16	



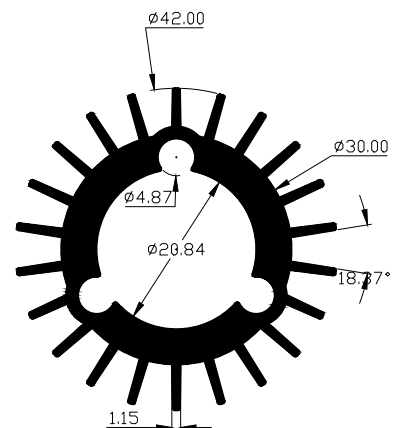
SECTION. NO	WT.Kgs/Mtr
6085	3.268
P-16	



SECTION. NO	WT.Kgs/Mtr
6086	1.321
P-16	

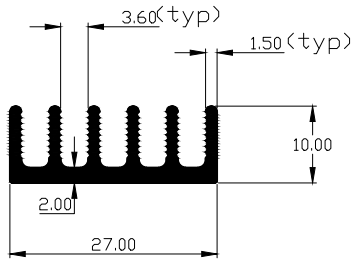


SECTION. NO	WT.Kgs/Mtr
6087	1.247
P-16	

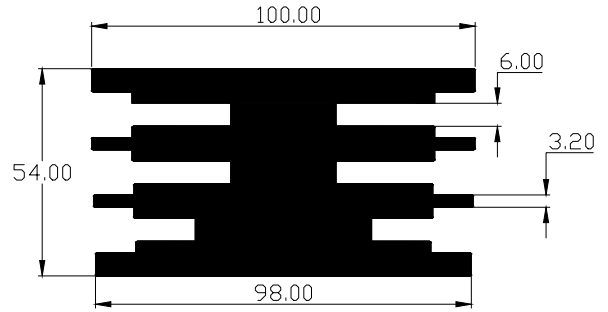


PARAGON ALUMINIUM L.L.P

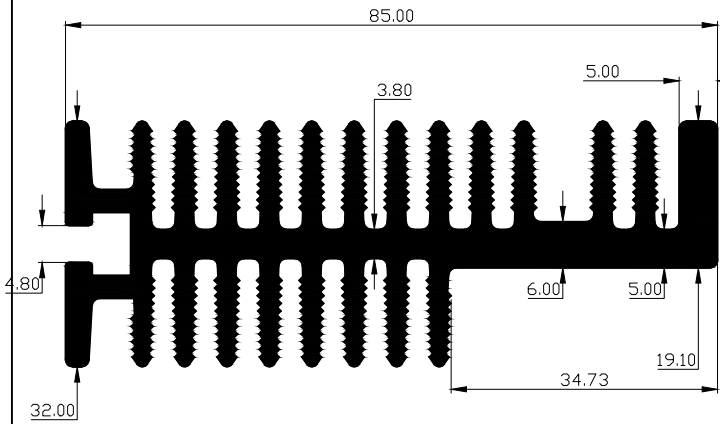
SECTION. NO	WT.Kgs/Mtr
6088	0.317
P-16	



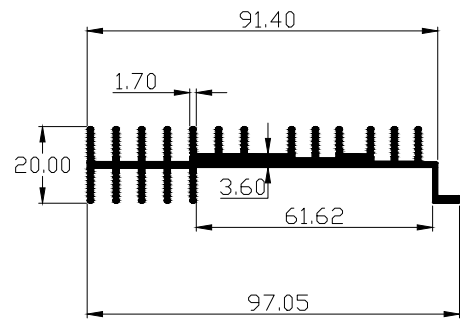
SECTION. NO	WT.Kgs/Mtr
6089	10.623
P-16	



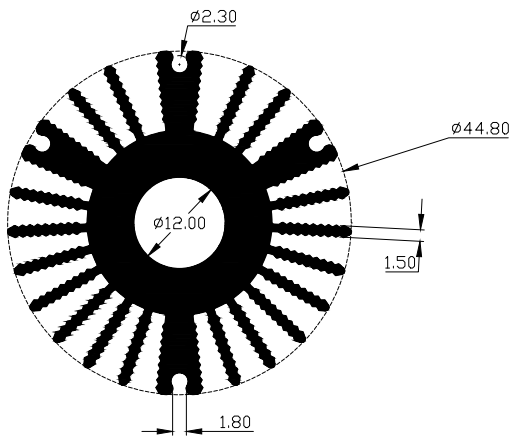
SECTION. NO	WT.Kgs/Mtr
6090	3.252
P-16	



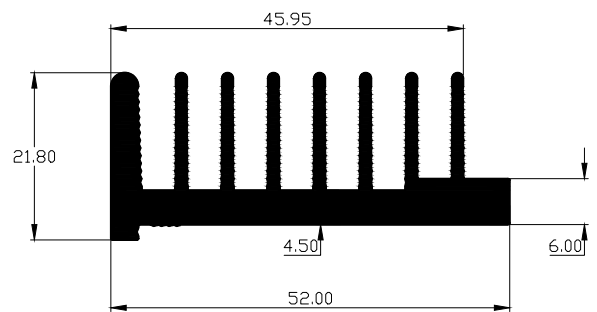
SECTION. NO	WT.Kgs/Mtr
6091	1.284
P-16	



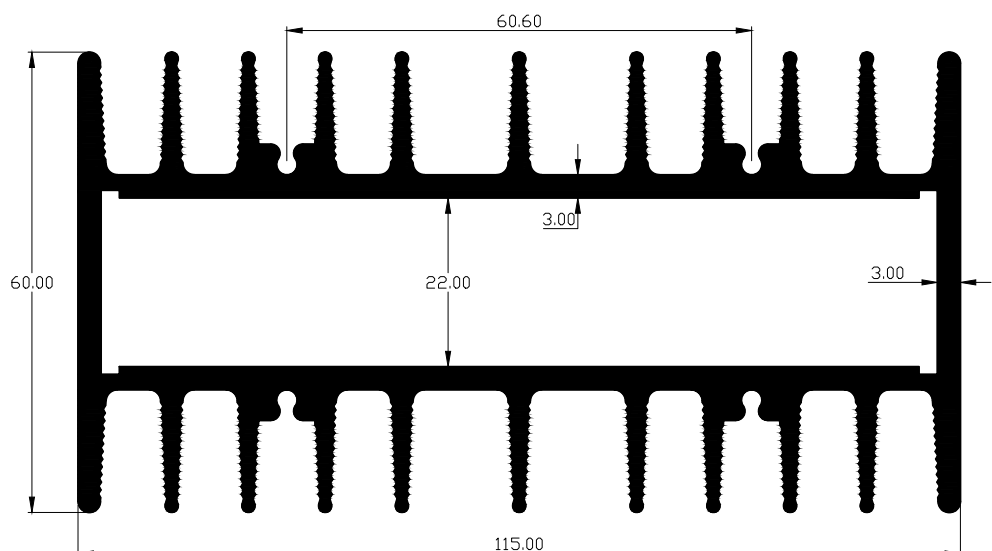
SECTION. NO	WT.Kgs/Mtr
6092	1.969
P-16	



SECTION. NO	WT.Kgs/Mtr
6094	1.275
P-16	

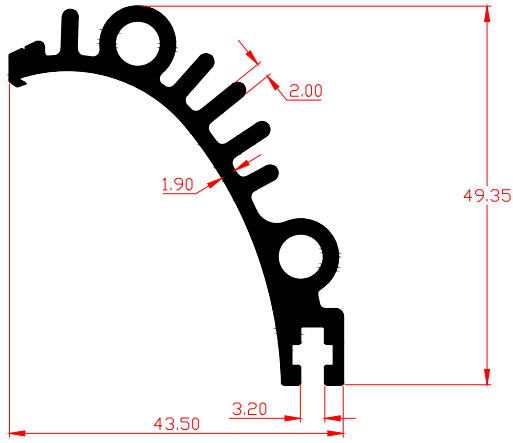


SECTION. NO	WT.Kgs/Mtr
6095	4.578
P-16	

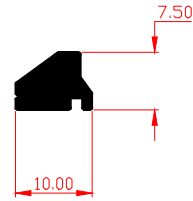


PARAGON ALUMINIUM L.L.P

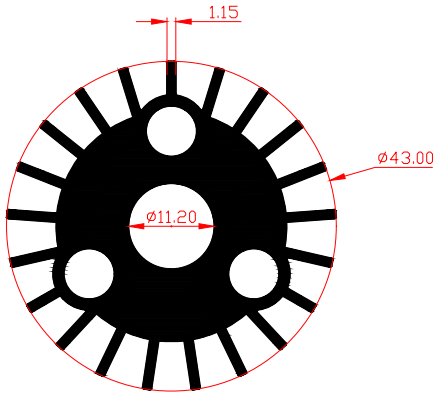
SECTION. NO	WT.Kgs/Mtr
6096	0.859
P-16	



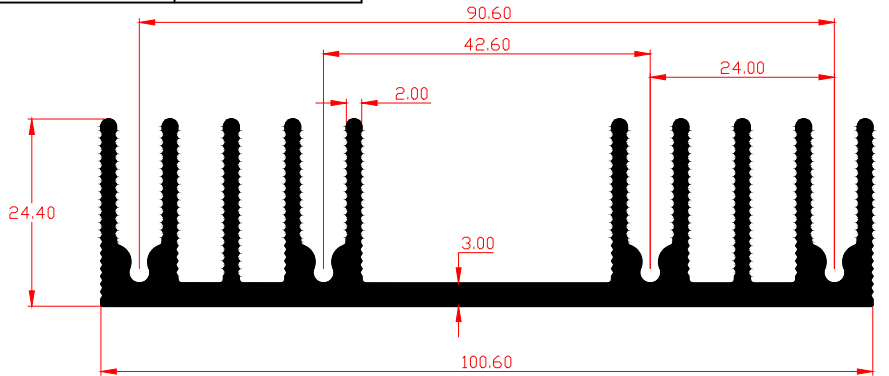
SECTION. NO	WT.Kgs/Mtr
6097	0.148



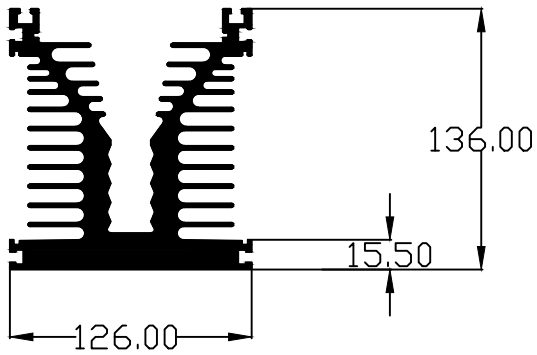
SECTION. NO	WT.Kgs/Mtr
6099	1.873
P-16	



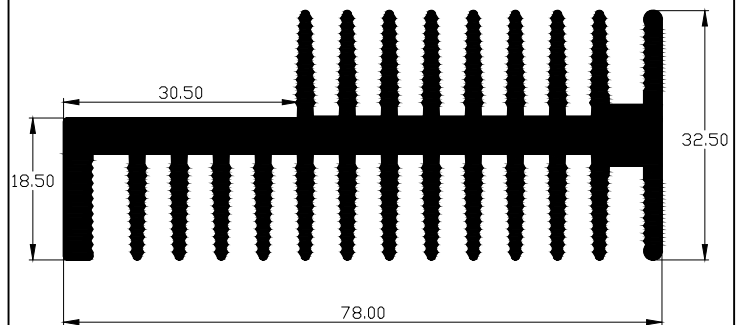
SECTION. NO	WT.Kgs/Mtr
6100	1.997
P-16	



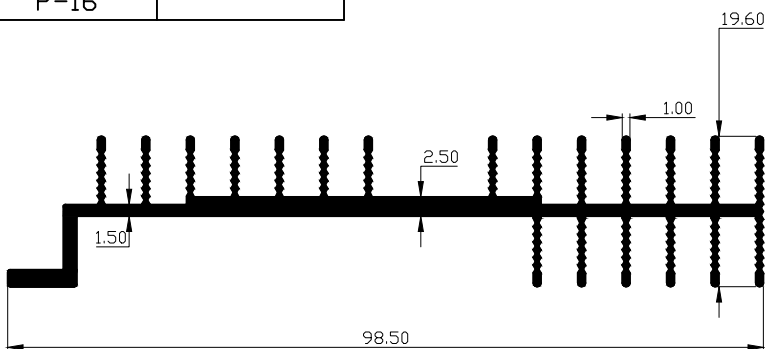
SECTION. NO	WT.Kgs/Mtr
6101	15.523
P-16	



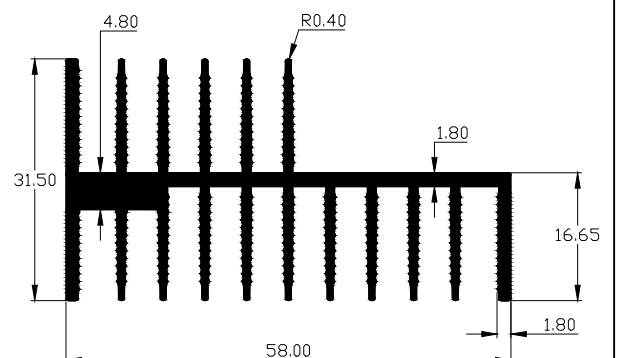
SECTION. NO	WT.Kgs/Mtr
6102	2.650
P-16	



SECTION. NO	WT.Kgs/Mtr
6103	0.931
P-16	

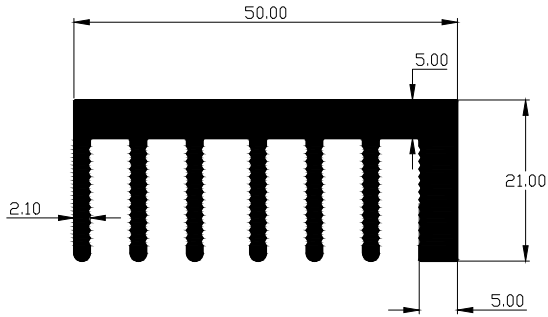


SECTION. NO	WT.Kgs/Mtr
6104	1.204
P-16	

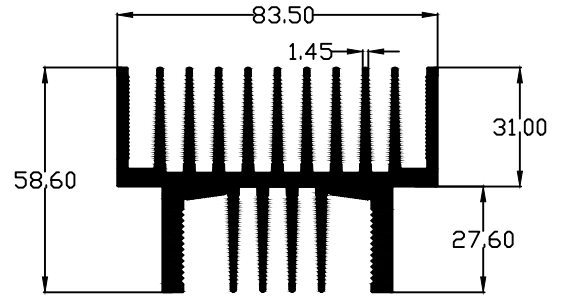


PARAGON ALUMINIUM L.L.P

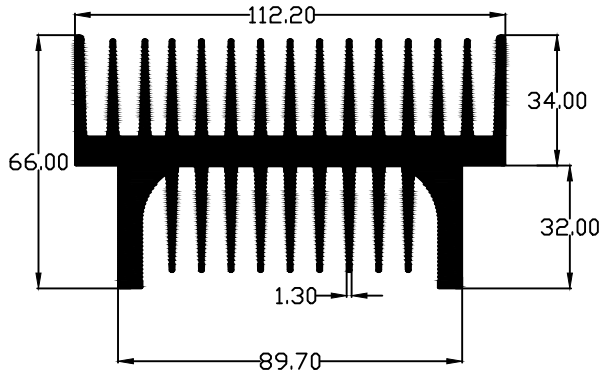
SECTION. NO	WT.Kgs/Mtr
6105	1.427
P-16	



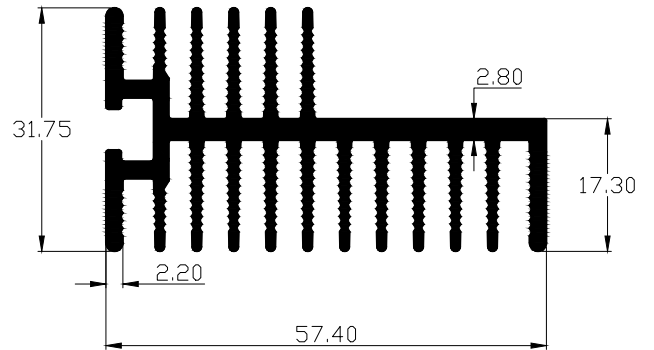
SECTION. NO	WT.Kgs/Mtr
6106	4.071
P-16	



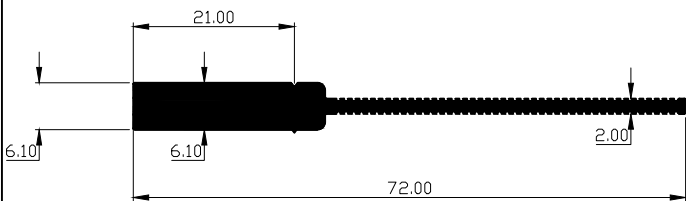
SECTION. NO	WT.Kgs/Mtr
6107	6.991
P-16	



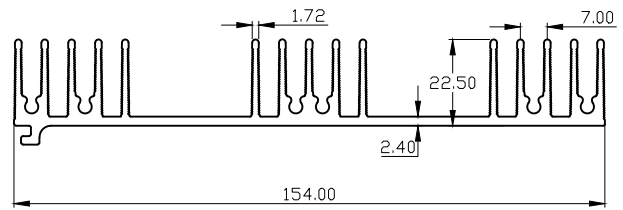
SECTION. NO	WT.Kgs/Mtr
6108	1.423
P-16	



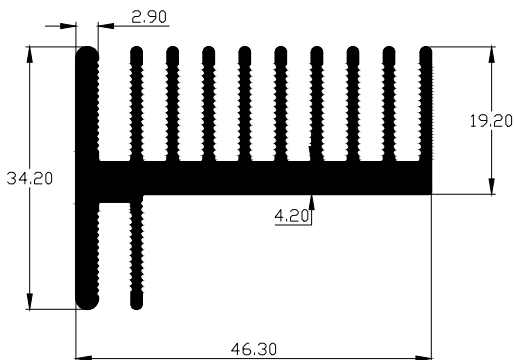
SECTION. NO	WT.Kgs/Mtr
6109	0.594
P-16	



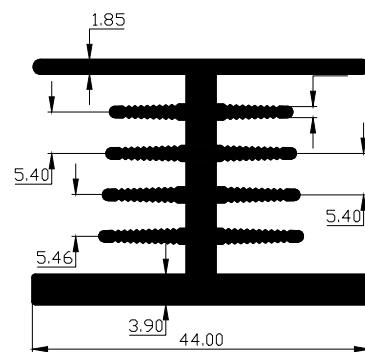
SECTION. NO	WT.Kgs/Mtr
6110	2.650
P-16	



SECTION. NO	WT.Kgs/Mtr
6111	1.228
P-16	

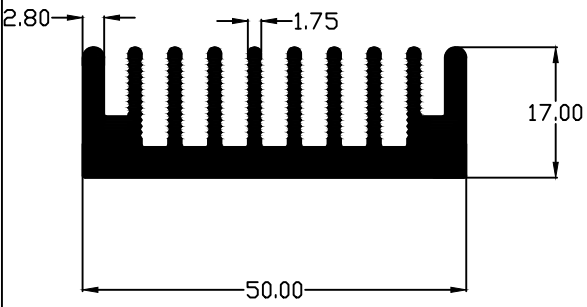


SECTION. NO	WT.Kgs/Mtr
6112	1.279
P-16	

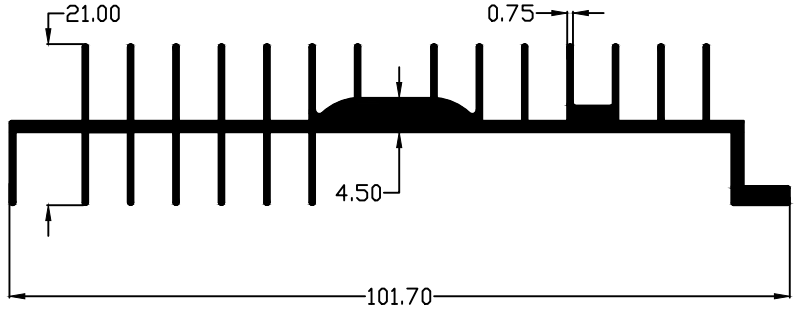


PARAGON ALUMINIUM L.L.P

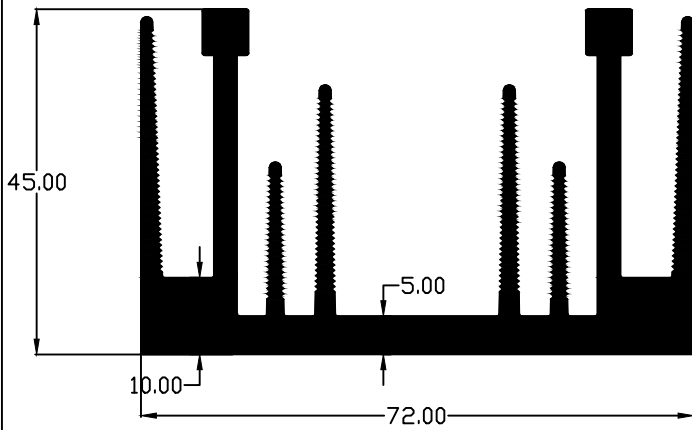
SECTION. NO	WT.Kgs/Mtr
6113	1.231



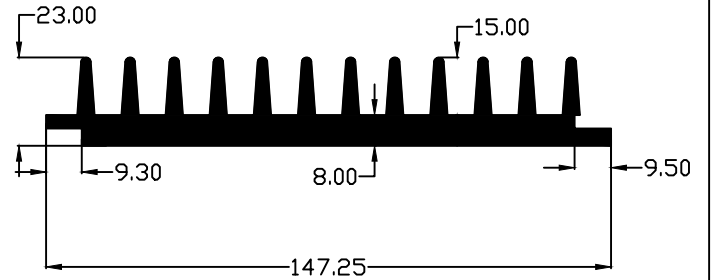
SECTION. NO	WT.Kgs/Mtr
6114	1.044
P-16	



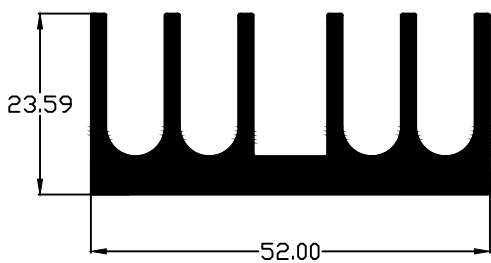
SECTION. NO	WT.Kgs/Mtr
6115 new	2.77



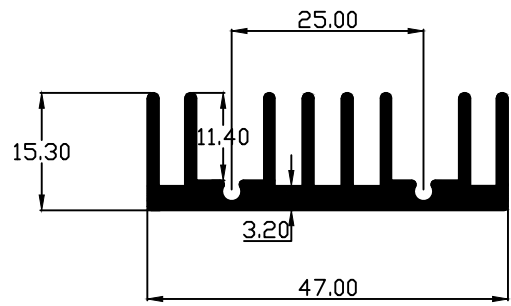
SECTION. NO	WT.Kgs/Mtr
6116	4.618



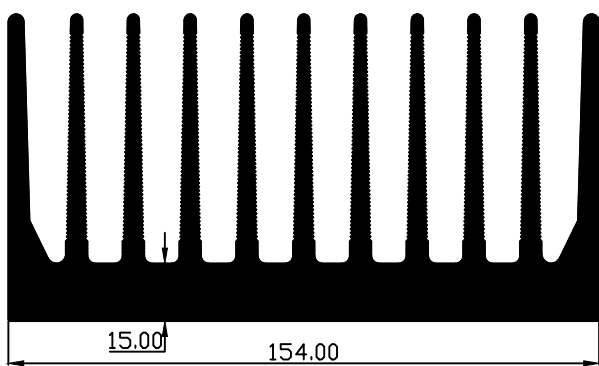
SECTION. NO	WT.Kgs/Mtr
6117	1.370



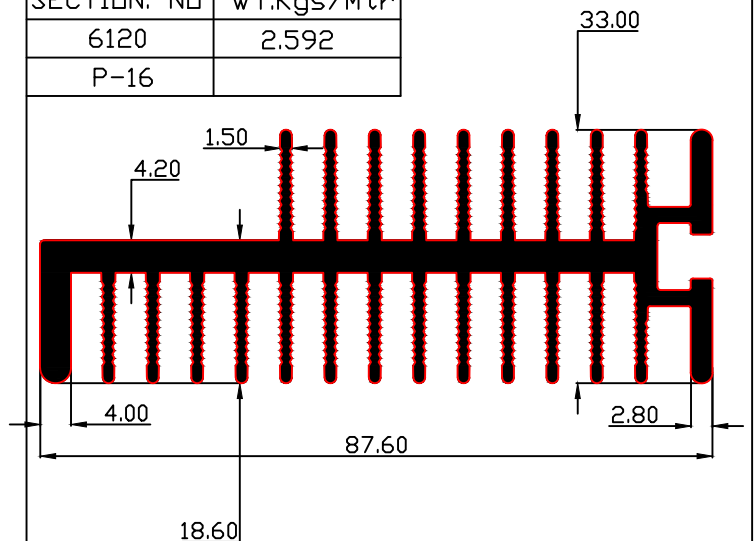
SECTION. NO	WT.Kgs/Mtr
6118	0.796



SECTION. NO	WT.Kgs/Mtr
6119	14.151
P-16	

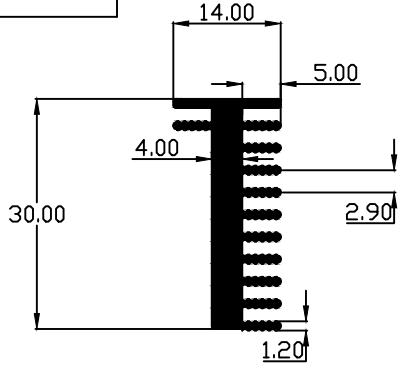


SECTION. NO	WT.Kgs/Mtr
6120	2.592
P-16	

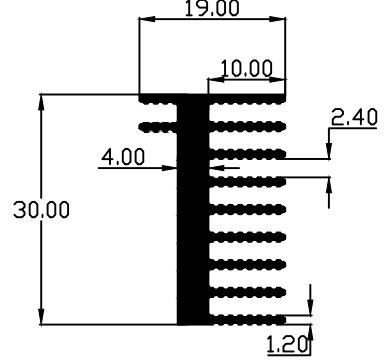


PARAGON ALUMINIUM L.L.P

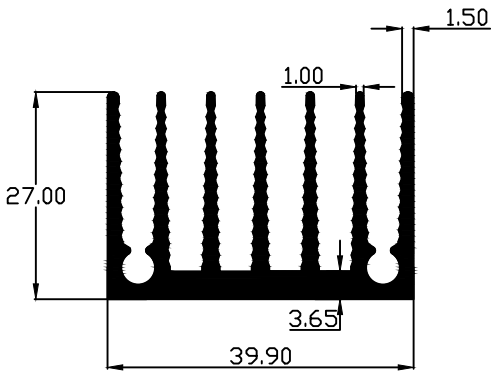
SECTION. NO	WT.Kgs/Mtr
6121	0.497



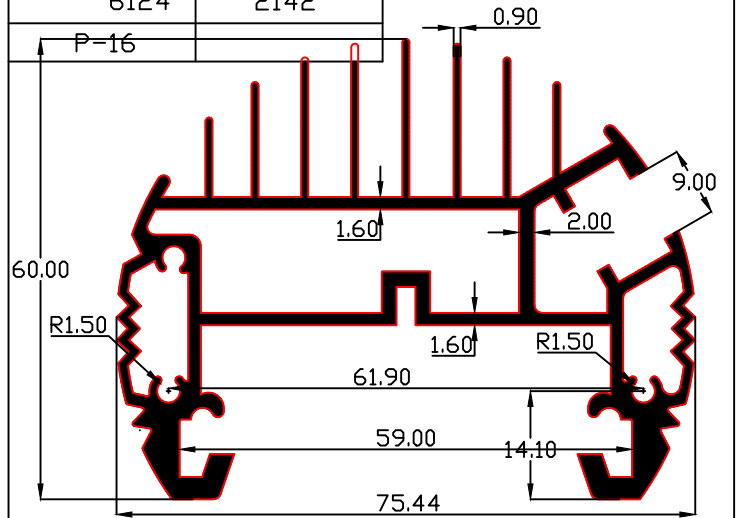
SECTION. NO	WT.Kgs/Mtr
6122	0.587



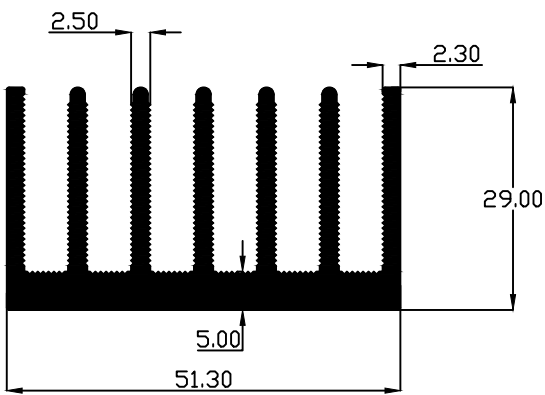
SECTION. NO	WT.Kgs/Mtr
6123	1.035



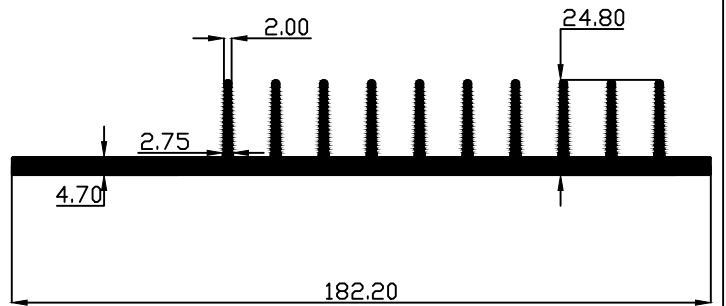
SECTION. NO	WT.Kgs/Mtr
6124	2142



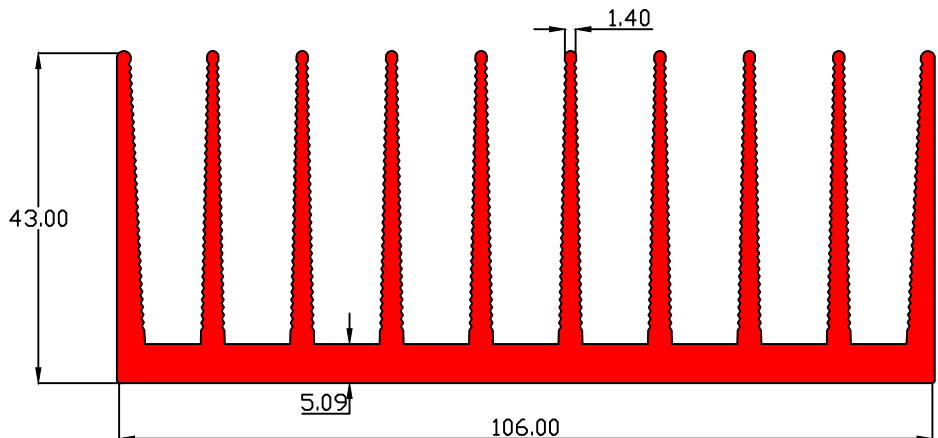
SECTION. NO	WT.Kgs/Mtr
6125	1.643
P-16	



SECTION. NO	WT.Kgs/Mtr
6126	3.409
P-16	

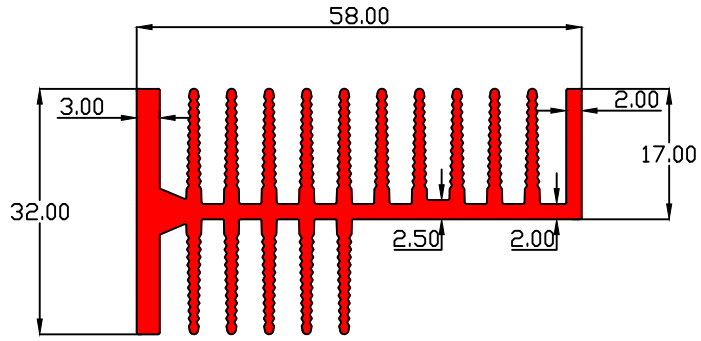


SECTION. NO	WT.Kgs/Mtr
6127	3.633

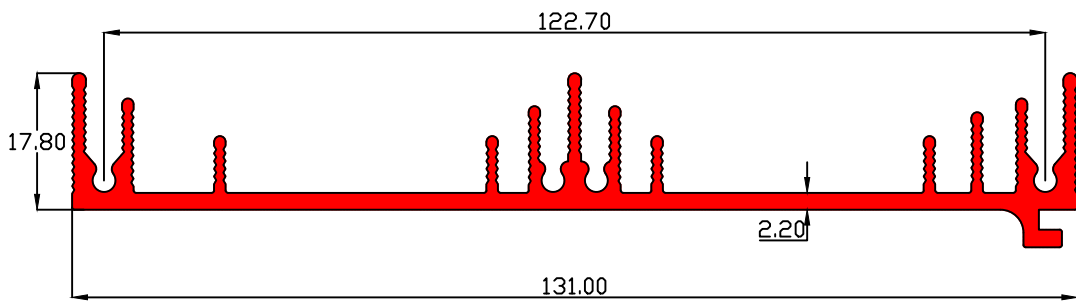


PARAGON ALUMINIUM L.L.P

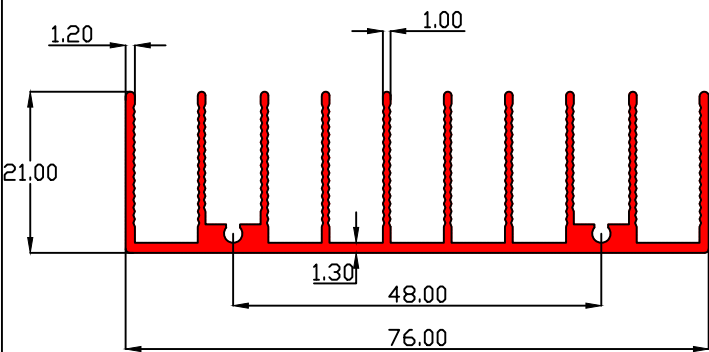
SECTION. NO	WT.Kgs/Mtr
6128	1.502



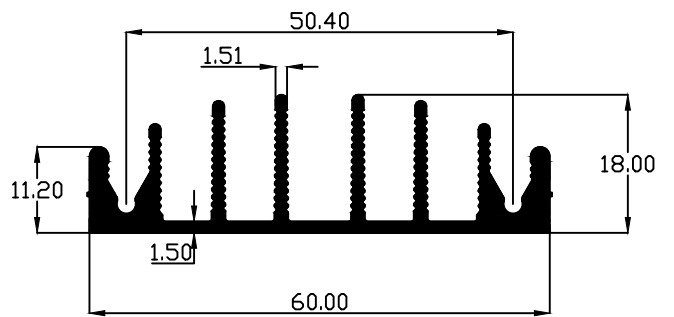
SECTION. NO	WT.Kgs/Mtr
6129	1.407



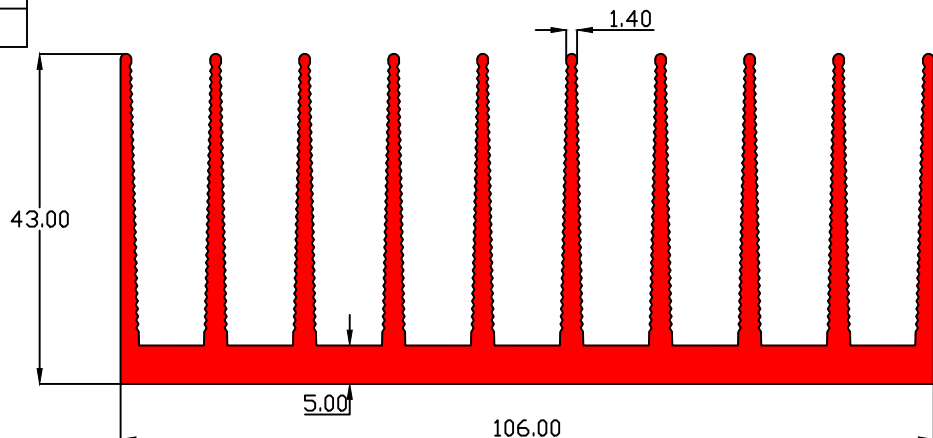
SECTION. NO	WT.Kgs/Mtr
6130	0.820



SECTION. NO	WT.Kgs/Mtr
6131	0.796

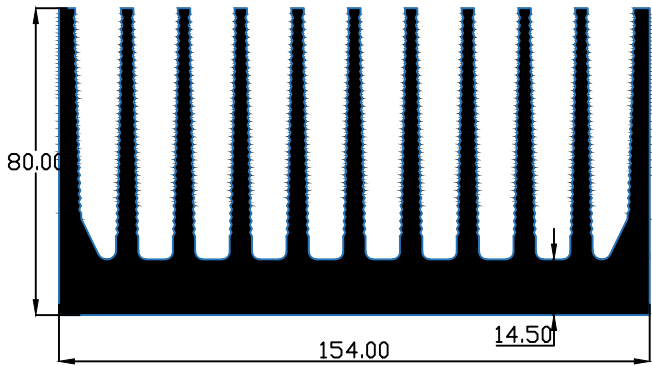


SECTION. NO	WT.Kgs/Mtr
6132	3.367

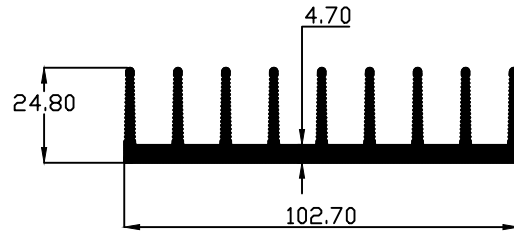


PARAGON ALUMINIUM L.L.P

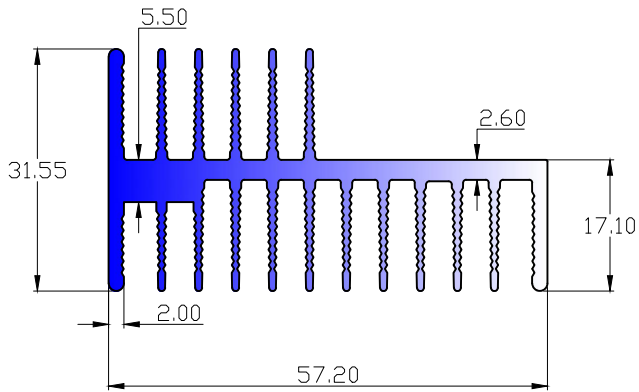
SECTION. NO	WT.Kgs/Mtr
6133	14.625



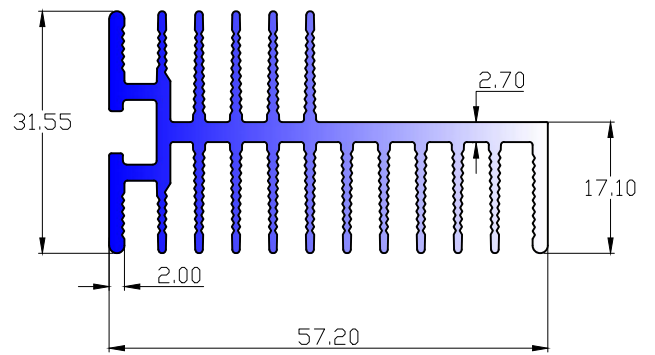
SECTION. NO	WT.Kgs/Mtr
6134	2.290



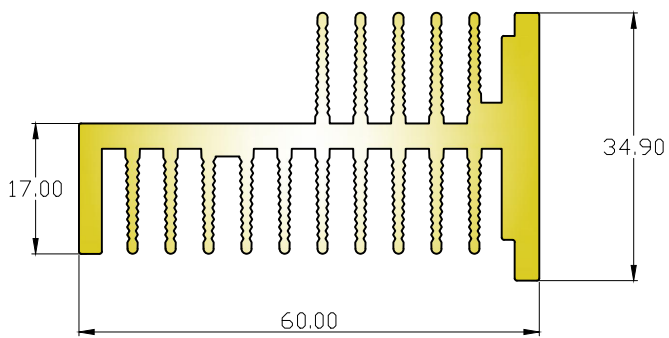
SECTION. NO	WT.Kgs/Mtr
6135	1.233



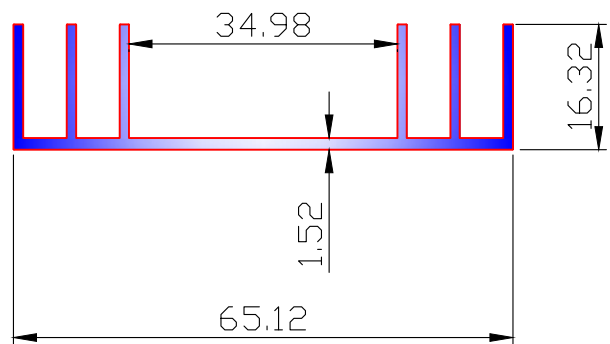
SECTION. NO	WT.Kgs/Mtr
6136	1.242



SECTION. NO	WT.Kgs/Mtr
6137	1.776



SECTION. NO	WT.Kgs/Mtr
6138	0.563

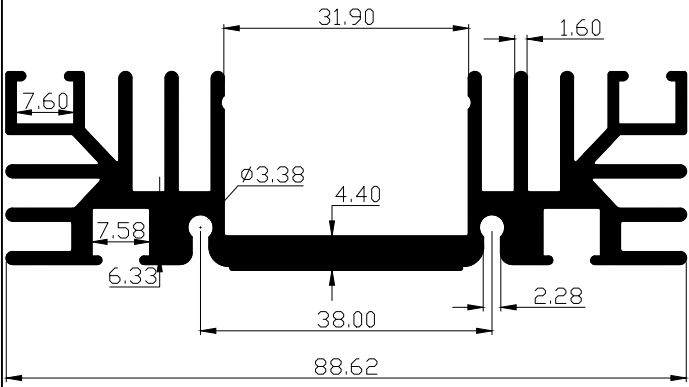


SECTION. NO	WT.Kgs/Mtr

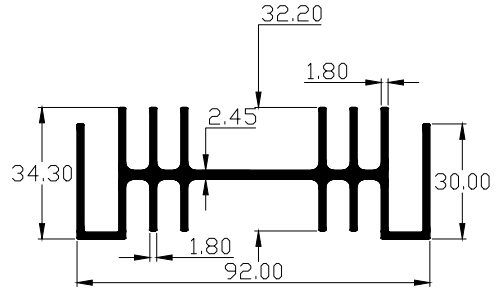
SECTION. NO	WT.Kgs/Mtr

PARAGON ALUMINIUM L.L.P

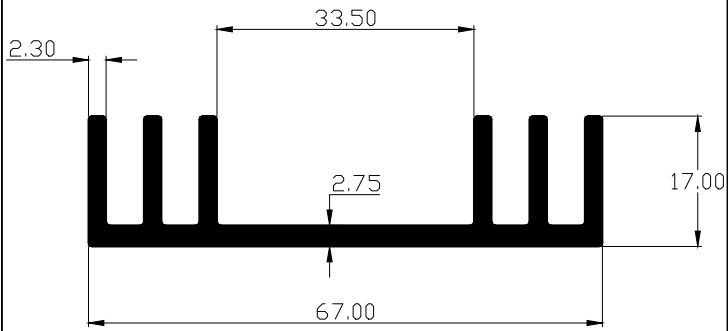
SECTION. NO	WT.Kgs/Mtr
1203	1.775



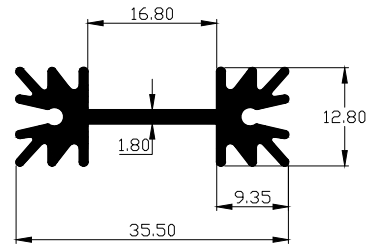
SECTION. NO	WT.Kgs/Mtr
1204	1.776



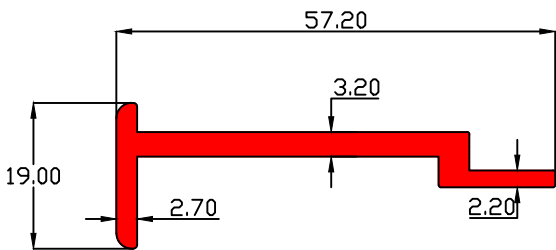
SECTION. NO	WT.Kgs/Mtr
1209	1.027



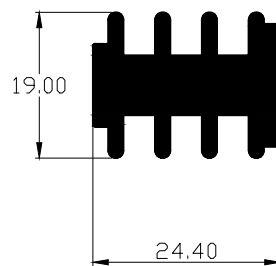
SECTION. NO	WT.Kgs/Mtr
1216	0.459



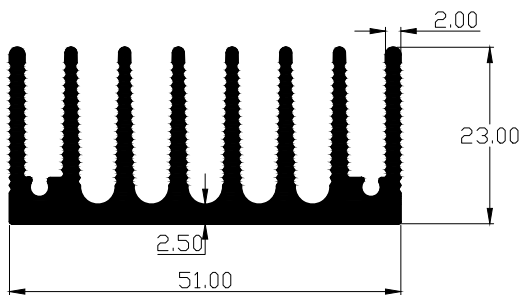
SECTION. NO	WT.Kgs/Mtr
1217	0.617



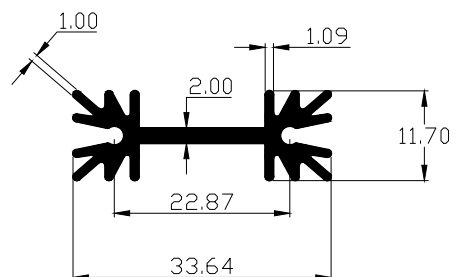
SECTION. NO	WT.Kgs/Mtr
1222	0.808



SECTION. NO	WT.Kgs/Mtr
1224	1.205

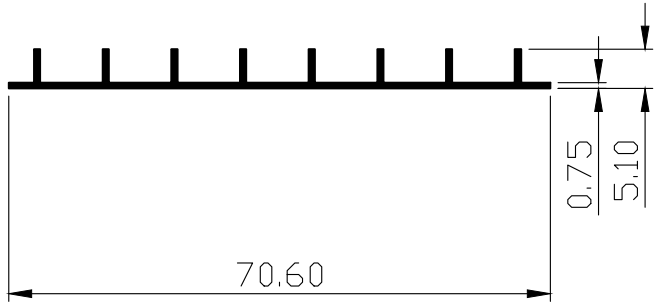


SECTION. NO	WT.Kgs/Mtr
1225	0.383

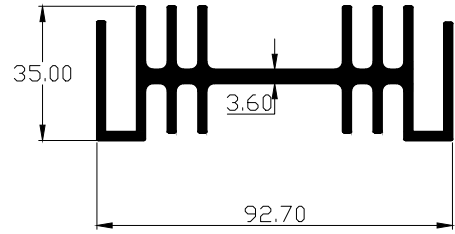


PARAGON ALUMINIUM L.L.P

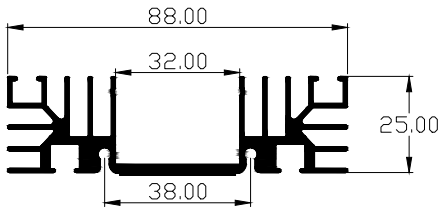
SECTION. NO	WT.Kgs/Mtr
1202	0.219



SECTION. NO	WT.Kgs/Mtr
1205	2.284
P-16	



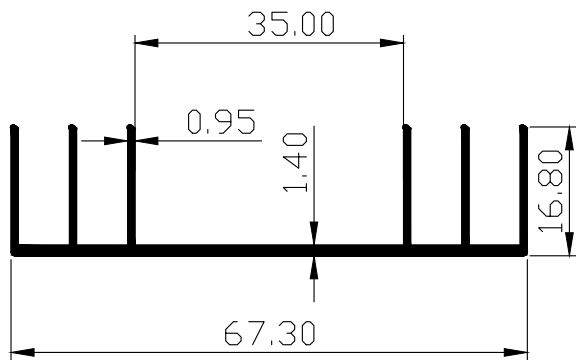
SECTION. NO	WT.Kgs/Mtr
1207	1.567



SECTION. NO	WT.Kgs/Mtr
1208/2	0.892



SECTION. NO	WT.Kgs/Mtr
1210/5	0.490



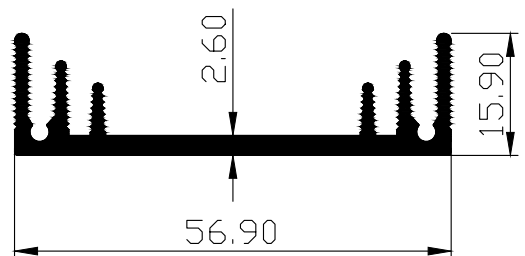
SECTION. NO	WT.Kgs/Mtr
1211	0.751



SECTION. NO	WT.Kgs/Mtr
1212	1.184
P-16	

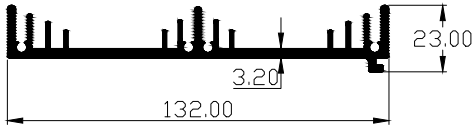


SECTION. NO	WT.Kgs/Mtr
1214	0.641
P-16	

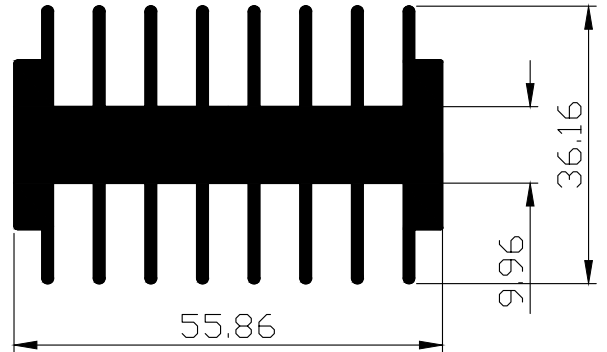


PARAGON ALUMINIUM L.L.P

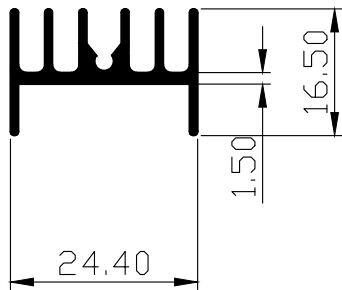
SECTION. NO	WT.Kgs/Mtr
1215/1	1.854
P-16	



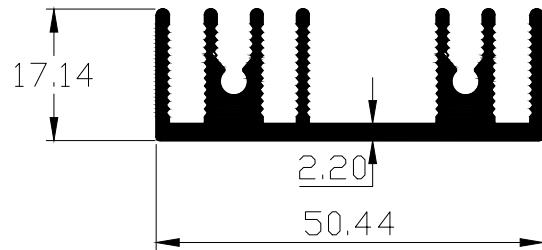
SECTION. NO	WT.Kgs/Mtr
1219	2.557
P-16	



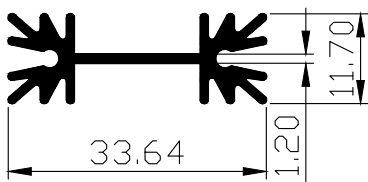
SECTION. NO	WT.Kgs/Mtr
1220	0.297



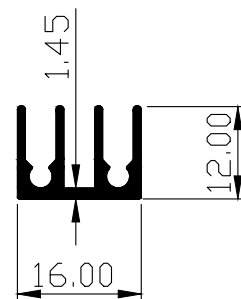
SECTION. NO	WT.Kgs/Mtr
1221	0.806
P-16	



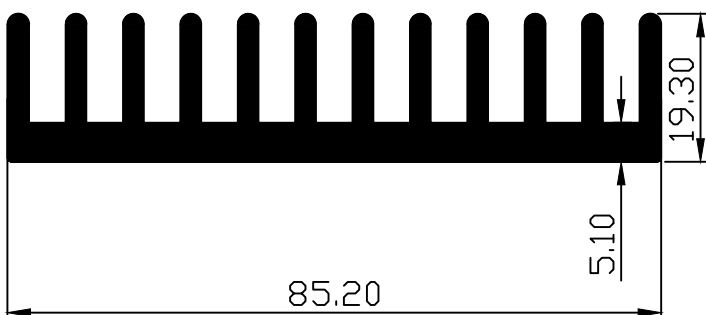
SECTION. NO	WT.Kgs/Mtr
1225/2	0.345



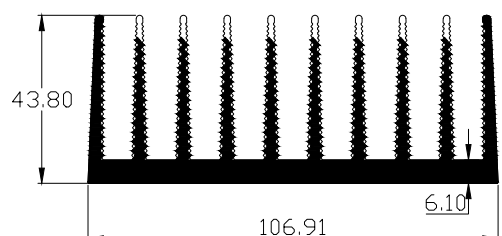
SECTION. NO	WT.Kgs/Mtr
1227	0.209



SECTION. NO	WT.Kgs/Mtr
1228	2.397
P-16	

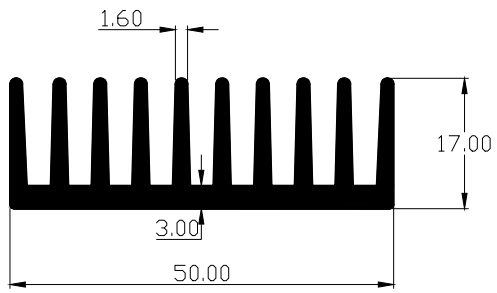


SECTION. NO	WT.Kgs/Mtr
1229	4.378
P-16	

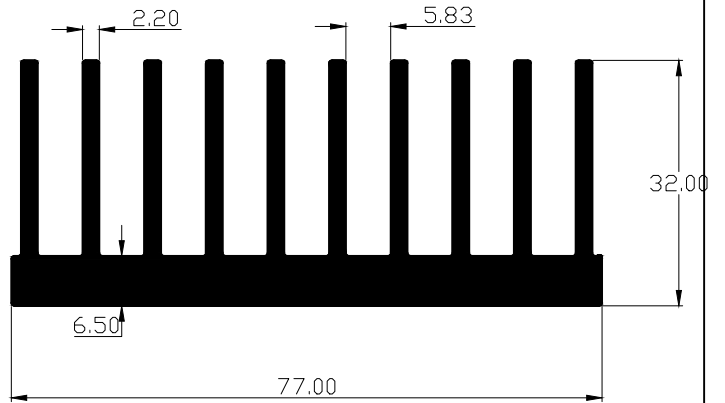


PARAGON ALUMINIUM L.L.P

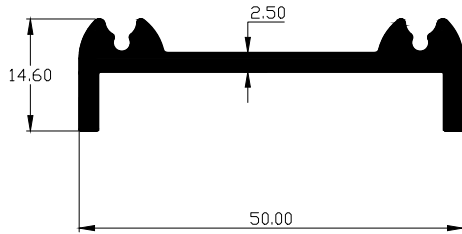
SECTION. NO	WT.Kgs/Mtr
1230	1.123
P-16	



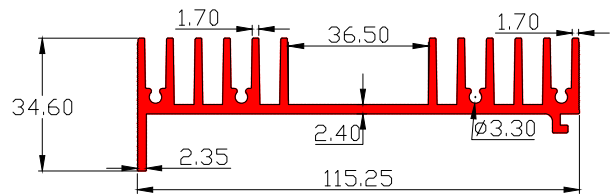
SECTION. NO	WT.Kgs/Mtr
1258	2.865
P16	



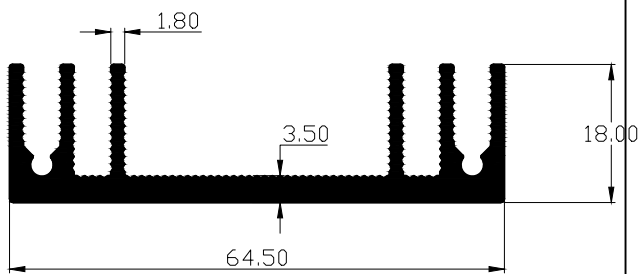
SECTION. NO	WT.Kgs/Mtr
1259	0.593



SECTION. NO	WT.Kgs/Mtr
1260	2.101



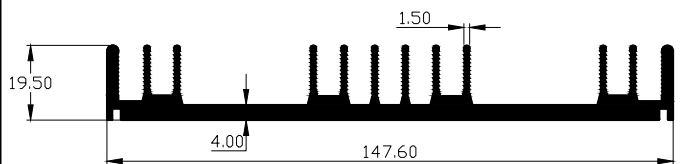
SECTION. NO	WT.Kgs/Mtr
1232	1.00



SECTION. NO	WT.Kgs/Mtr

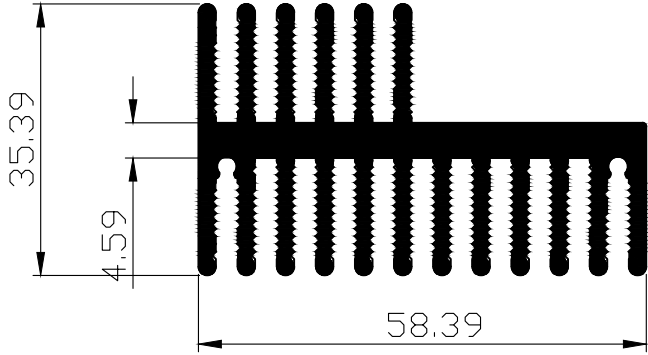
SECTION. NO	WT.Kgs/Mtr

SECTION. NO	WT.Kgs/Mtr
1247	2.552
P16	

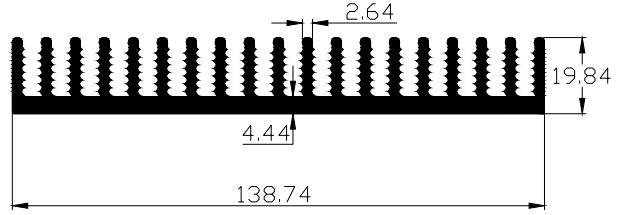


PARAGON ALUMINIUM L.L.P

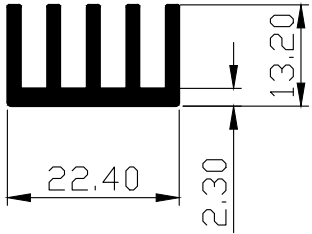
SECTION. NO	WT.Kgs/Mtr
1231/H	2.187



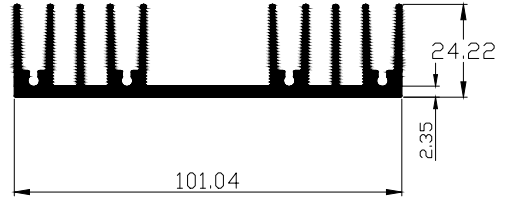
SECTION. NO	WT.Kgs/Mtr
1233	3.466
P-16	



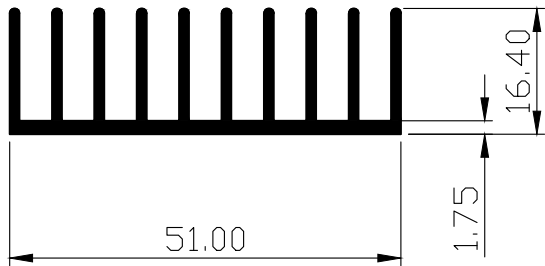
SECTION. NO	WT.Kgs/Mtr
1236	0.391



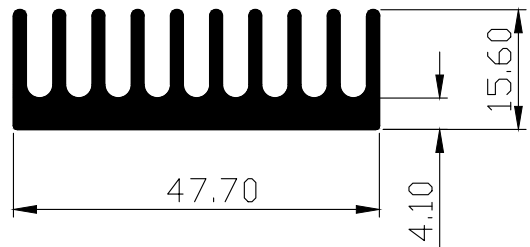
SECTION. NO	WT.Kgs/Mtr
1237	1.540
P-16	



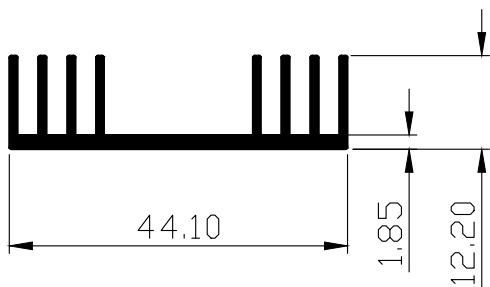
SECTION. NO	WT.Kgs/Mtr
1238	0.741



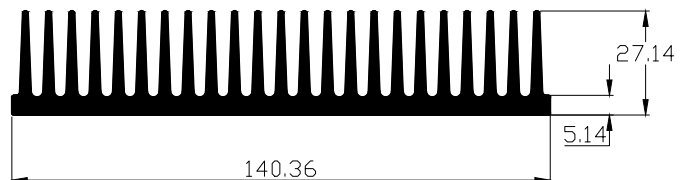
SECTION. NO	WT.Kgs/Mtr
1239	1.052
P-16	



SECTION. NO	WT.Kgs/Mtr
1244	0.462

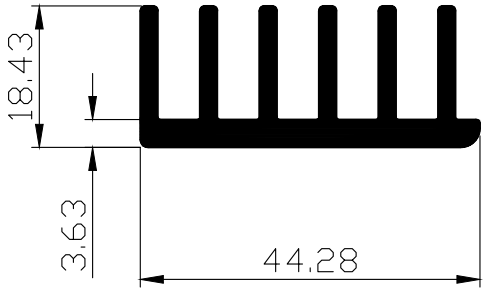


SECTION. NO	WT.Kgs/Mtr
1246	4.886
P-16	

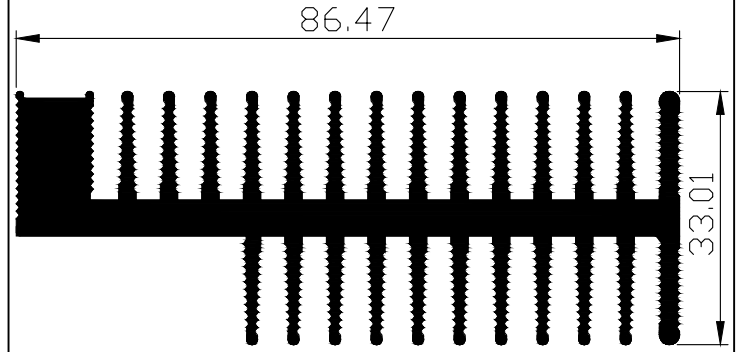


PARAGON ALUMINIUM L.L.P

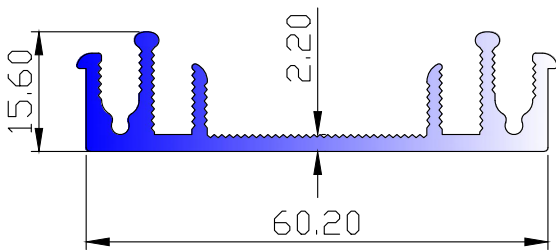
SECTION. NO	WT.Kgs/Mtr
1248	0.974



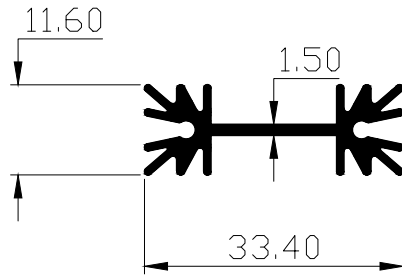
SECTION. NO	WT.Kgs/Mtr
1249	2.910
P-16	



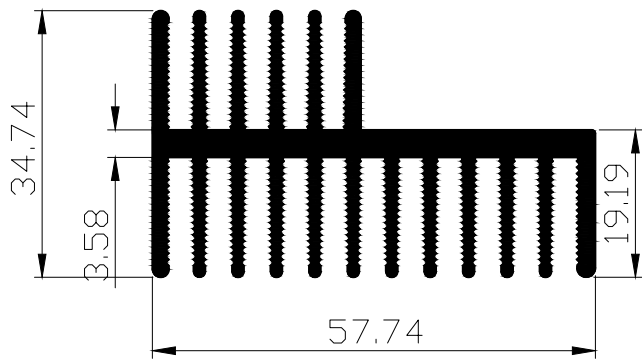
SECTION. NO	WT.Kgs/Mtr
1250	0.719



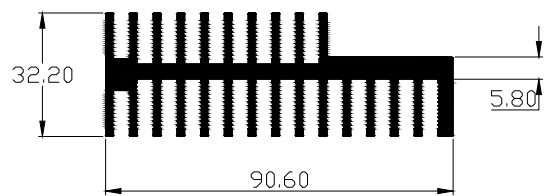
SECTION. NO	WT.Kgs/Mtr
1255/2	0.343



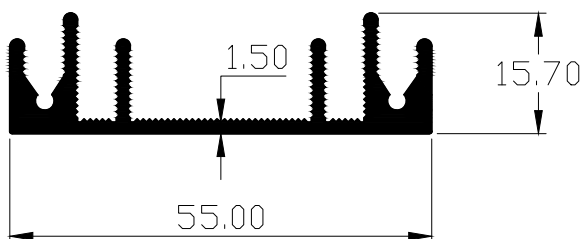
SECTION. NO	WT.Kgs/Mtr
1256/1	1.733
P-16	



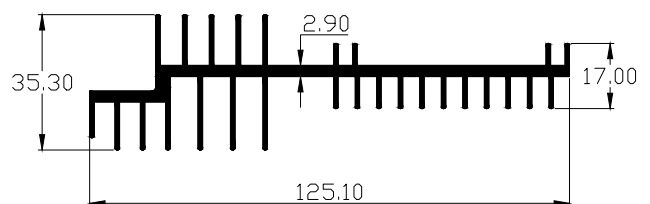
SECTION. NO	WT.Kgs/Mtr
1257/1	3.006
P-16	



SECTION. NO	WT.Kgs/Mtr
1265	0.634

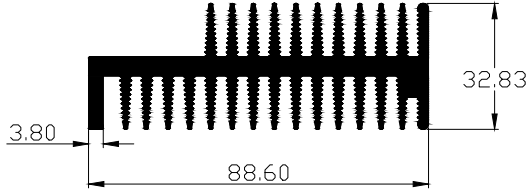


SECTION. NO	WT.Kgs/Mtr
1266	1.951

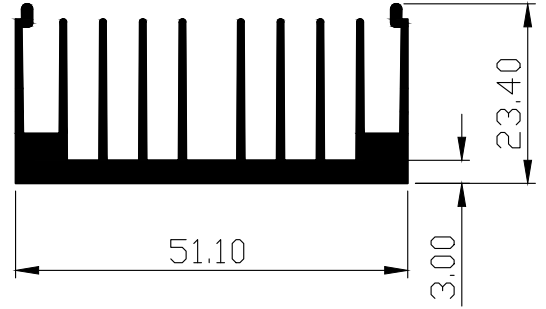


PARAGON ALUMINIUM L.L.P

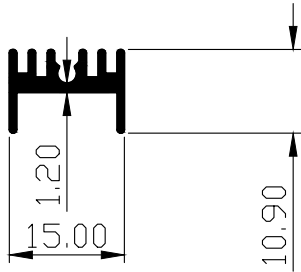
SECTION. NO	WT.Kgs/Mtr
1267	3.126
P-16	



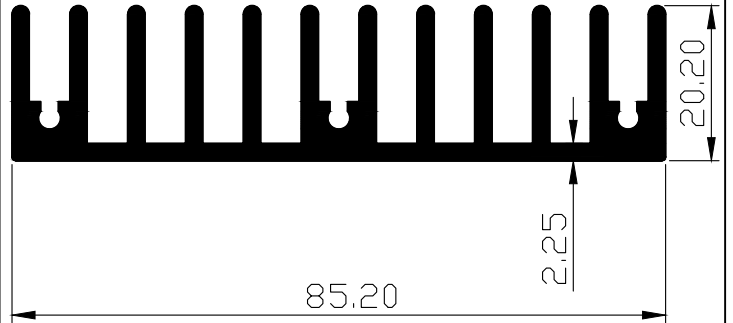
SECTION. NO	WT.Kgs/Mtr
1268	0.972



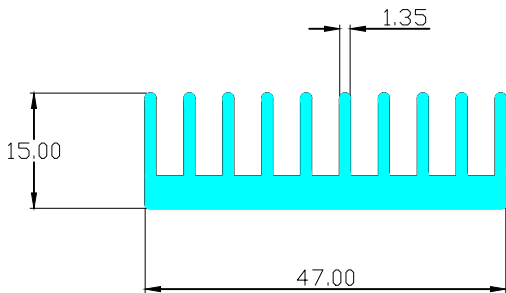
SECTION. NO	WT.Kgs/Mtr
1269	0.166



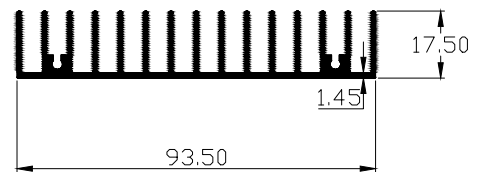
SECTION. NO	WT.Kgs/Mtr
1270	1.968



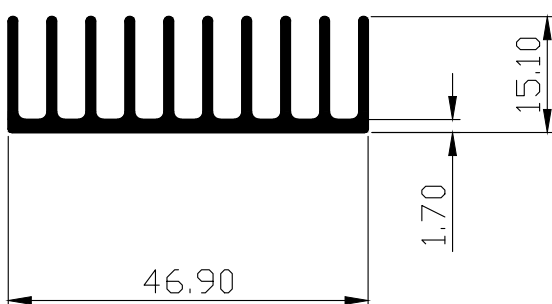
SECTION. NO	WT.Kgs/Mtr
1272	0.921
P-16	



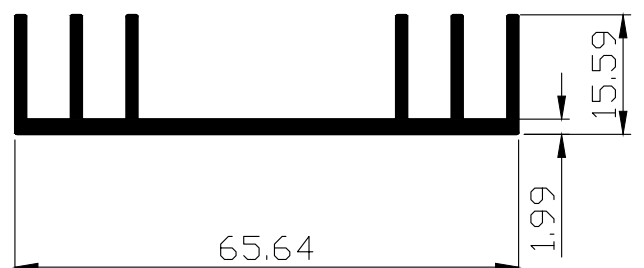
SECTION. NO	WT.Kgs/Mtr
1274	1.067



SECTION. NO	WT.Kgs/Mtr
1275	0.655

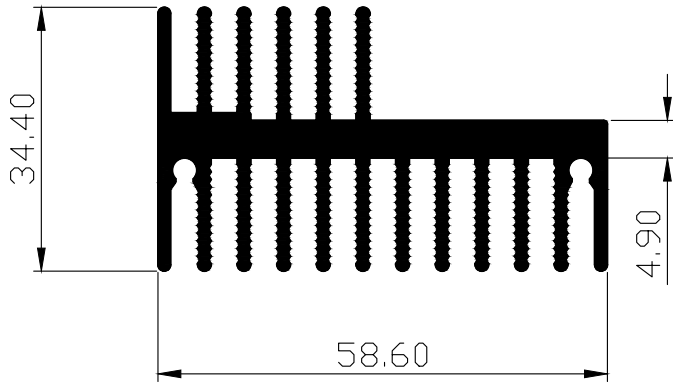


SECTION. NO	WT.Kgs/Mtr
1276	0.681

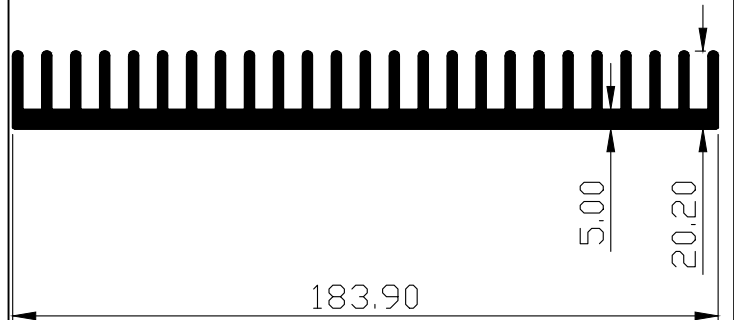


PARAGON ALUMINIUM L.L.P

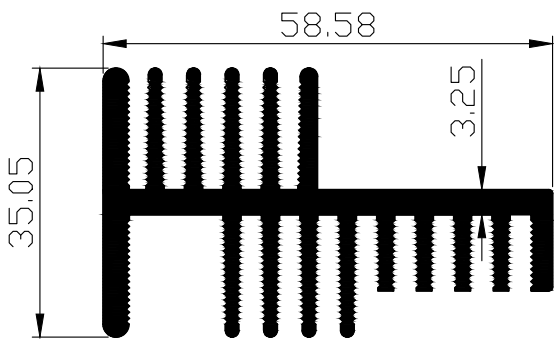
SECTION. NO	WT.Kgs/Mtr
1277	1.915
P-16	



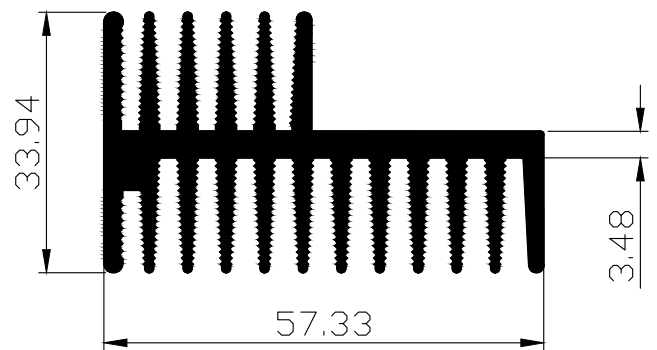
SECTION. NO	WT.Kgs/Mtr
1278	5.010
P-16	



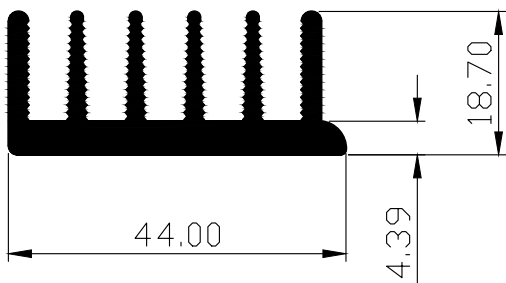
SECTION. NO	WT.Kgs/Mtr
1279	1.721
P-16	



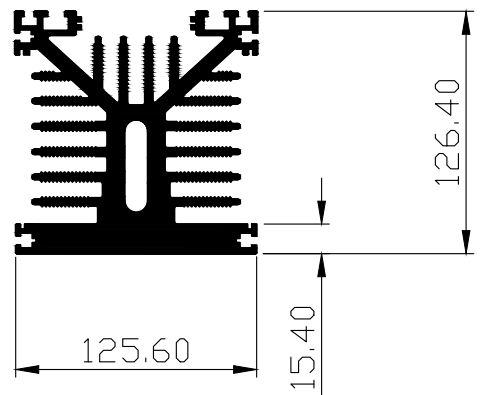
SECTION. NO	WT.Kgs/Mtr
1280	1.894



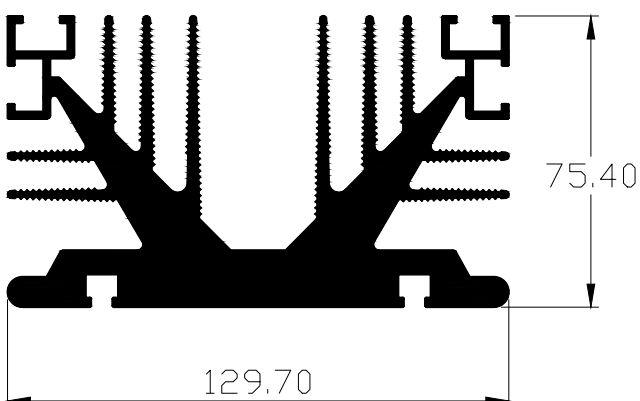
SECTION. NO	WT.Kgs/Mtr
1281	0.977
P-16	



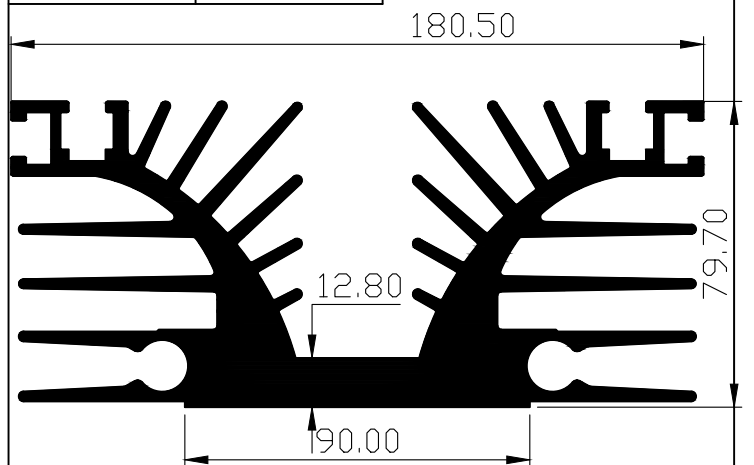
SECTION. NO	WT.Kgs/Mtr
1282	17.744
P-16	



SECTION. NO	WT.Kgs/Mtr
1283	10.272
P-16	

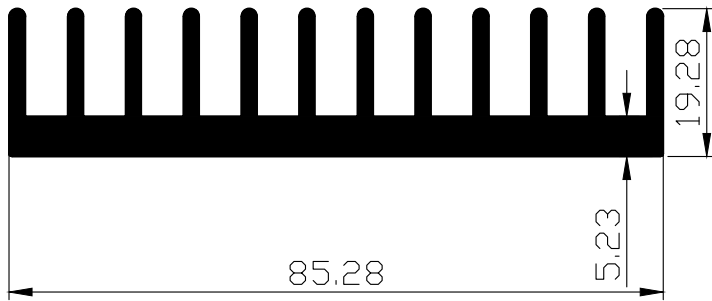


SECTION. NO	WT.Kgs/Mtr
1284	13.581
P-16	

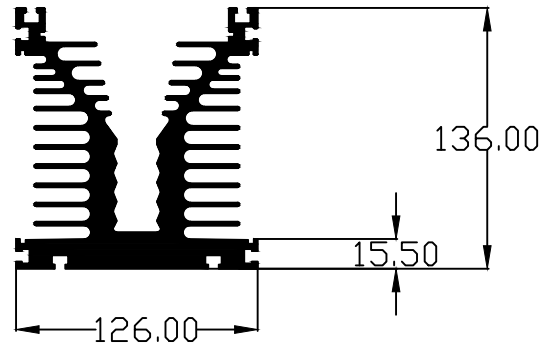


PARAGON ALUMINIUM L.L.P

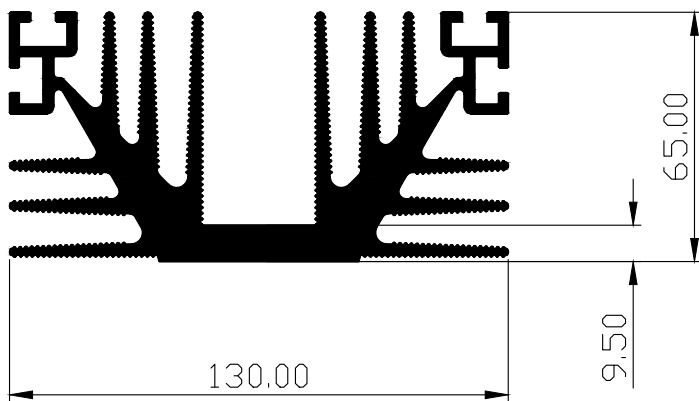
SECTION. NO	WT.Kgs/Mtr
1286	2.124
P-16	



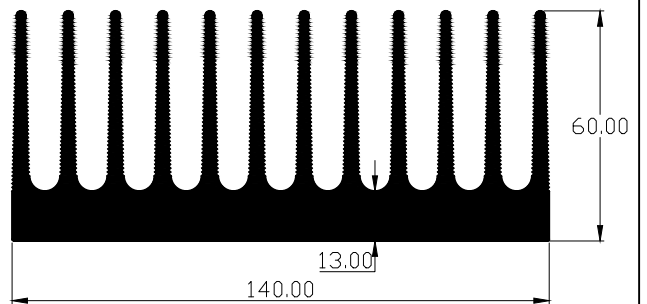
SECTION. NO	WT.Kgs/Mtr
1287	15.523
P-16	



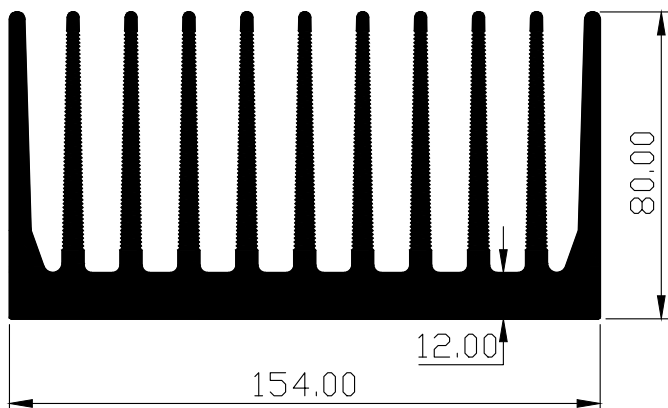
SECTION. NO	WT.Kgs/Mtr
1288	8.008
P-16	



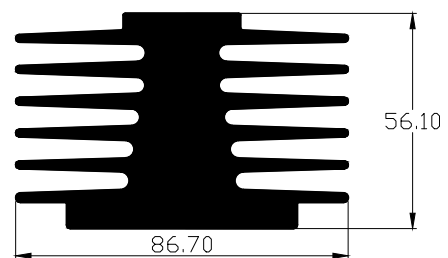
SECTION. NO	WT.Kgs/Mtr
1289	9.603
P-16	



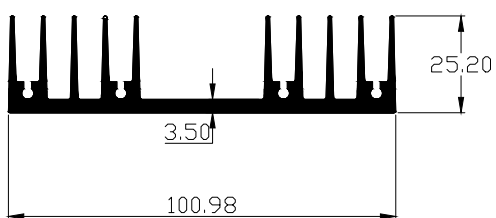
SECTION. NO	WT.Kgs/Mtr
1290	13.345
P-16	



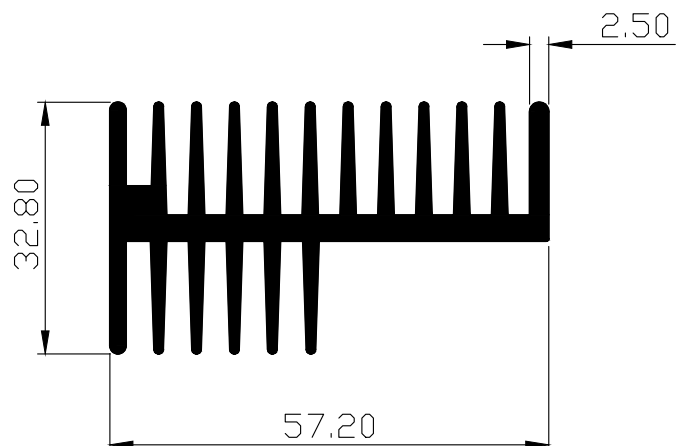
SECTION. NO	WT.Kgs/Mtr
1291	7.345
P-16	



SECTION. NO	WT.Kgs/Mtr
1292	2.008
P-16	

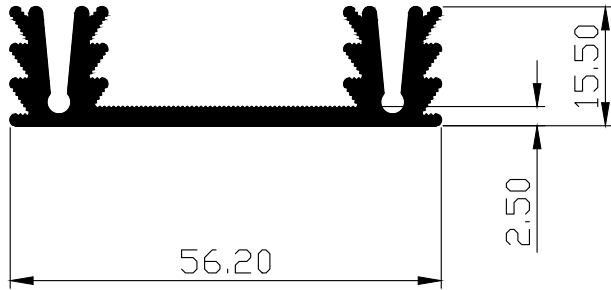


SECTION. NO	WT.Kgs/Mtr
1293	1.785
P-16	

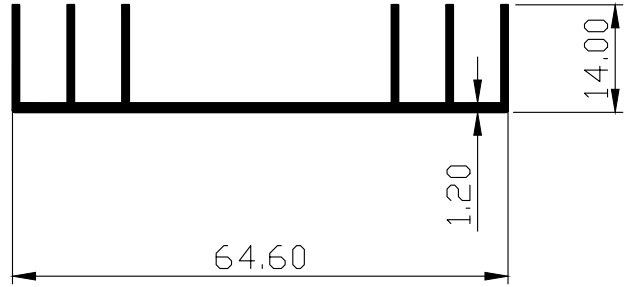


PARAGON ALUMINIUM L.L.P

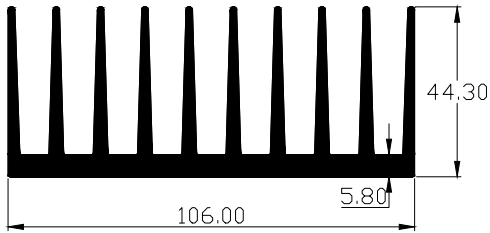
SECTION. NO	WT.Kgs/Mtr
1294	0.822



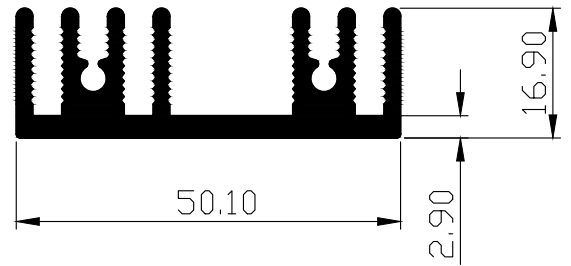
SECTION. NO	WT.Kgs/Mtr
1295	0.395



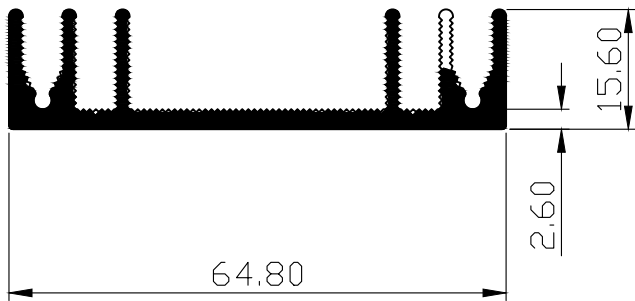
SECTION. NO	WT.Kgs/Mtr
1296	4.470
P-16	



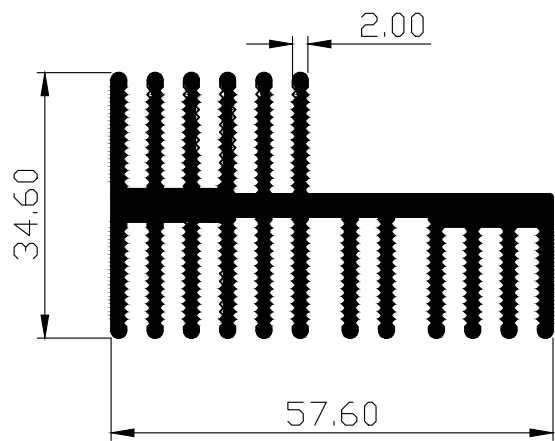
SECTION. NO	WT.Kgs/Mtr
1297	0.992



SECTION. NO	WT.Kgs/Mtr
1298	0.813



SECTION. NO	WT.Kgs/Mtr
1299	1.776

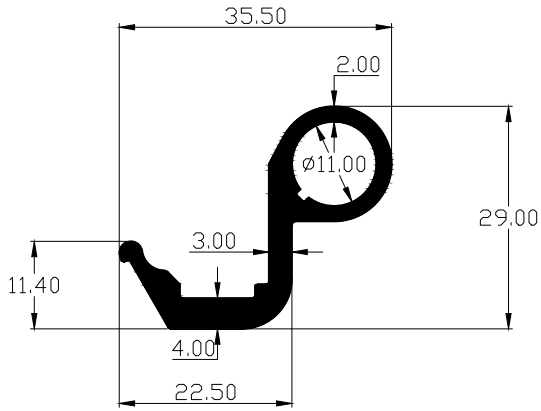


SECTION. NO	WT.Kgs/Mtr

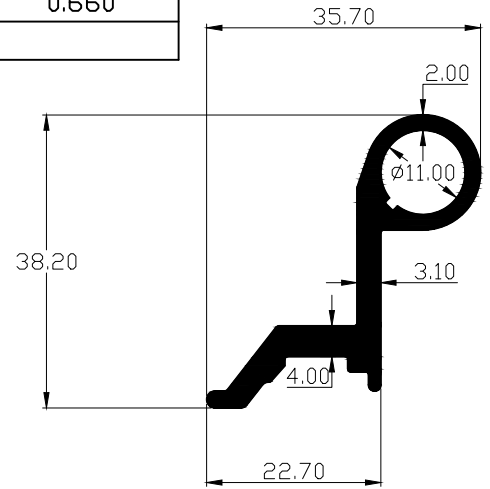
SECTION. NO	WT.Kgs/Mtr

PARAGON ALUMINIUM L.L.P

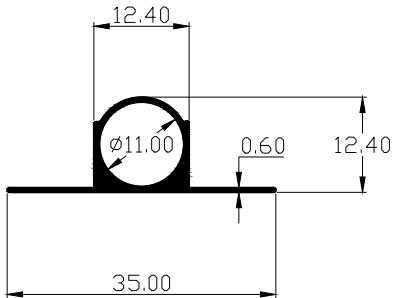
SECTION. NO	WT.Kgs/Mtr
29003	0.592



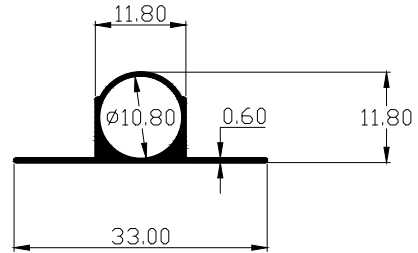
SECTION. NO	WT.Kgs/Mtr
29004	0.660



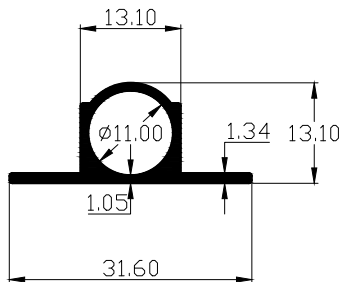
SECTION. NO	WT.Kgs/Mtr
29005	0.154



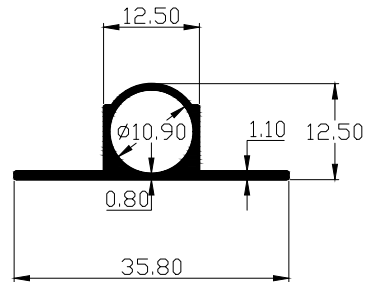
SECTION. NO	WT.Kgs/Mtr
29006	0.125



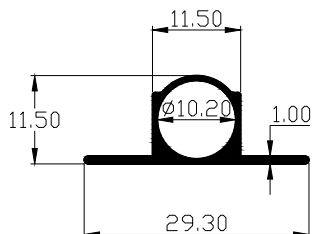
SECTION. NO	WT.Kgs/Mtr
29007	0.232
P-16	



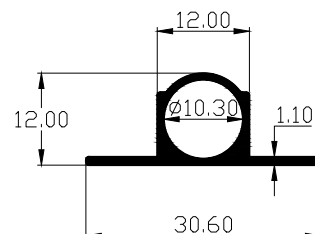
SECTION. NO	WT.Kgs/Mtr
29008	0.199
P-16	



SECTION. NO	WT.Kgs/Mtr
29009	0.152

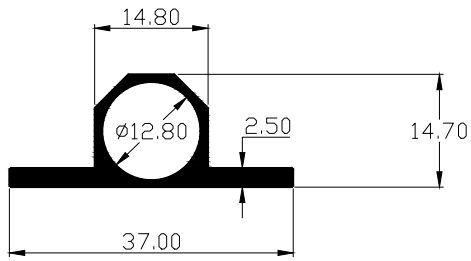


SECTION. NO	WT.Kgs/Mtr
29010	0.183

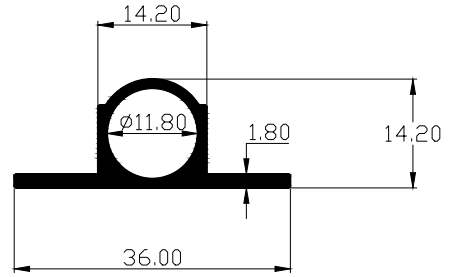


PARAGON ALUMINIUM L.L.P

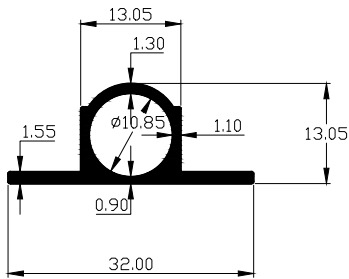
SECTION. NO	WT.Kgs/Mtr
29011	0.337
P-16	



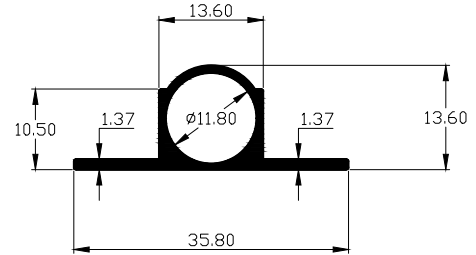
SECTION. NO	WT.Kgs/Mtr
29012	0.303



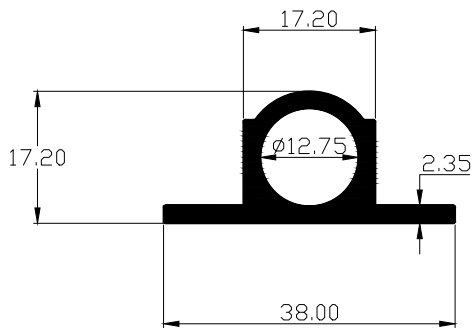
SECTION. NO	WT.Kgs/Mtr
29013	0.245
P-16	



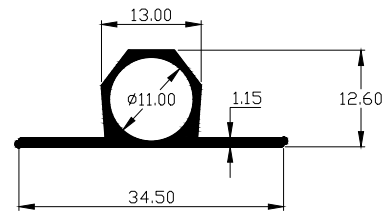
SECTION. NO	WT.Kgs/Mtr
29014	0.239
P-16	



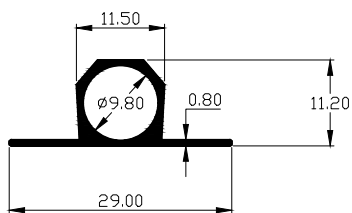
SECTION. NO	WT.Kgs/Mtr
29015	0.512
P-16	



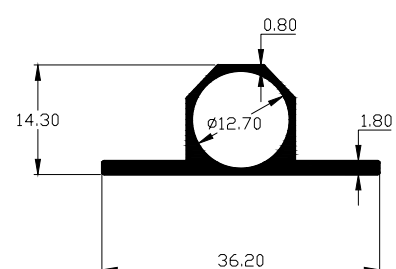
SECTION. NO	WT.Kgs/Mtr
29016	0.199



SECTION. NO	WT.Kgs/Mtr
29017	0.150

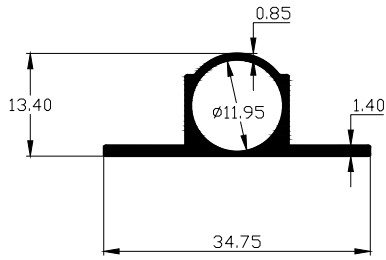


SECTION. NO	WT.Kgs/Mtr
29018	0.265

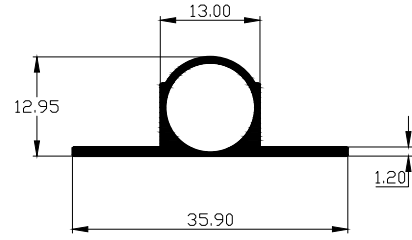


PARAGON ALUMINIUM L.L.P

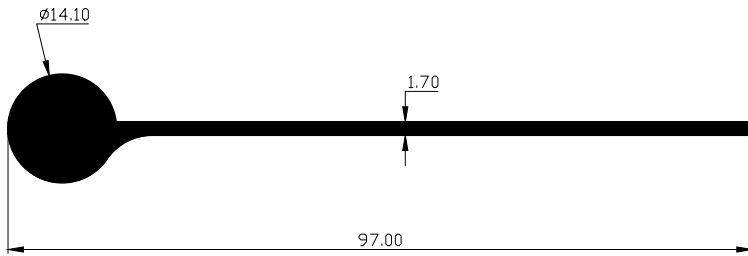
SECTION. NO	WT.Kgs/Mtr
29019	0.221
P-16	



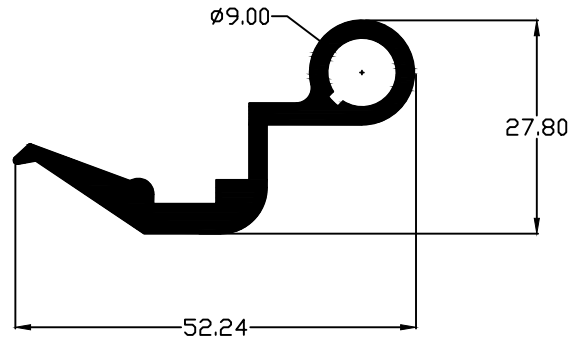
SECTION. NO	WT.Kgs/Mtr
29021	0.196



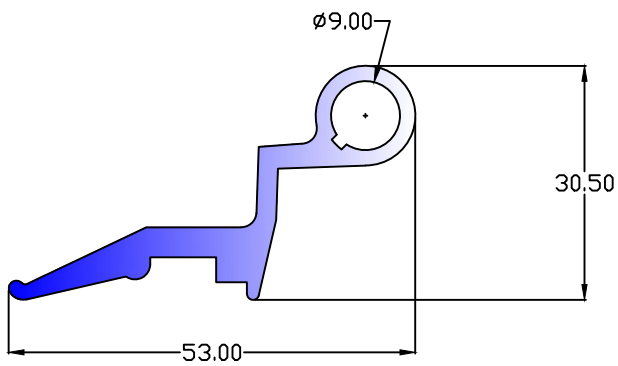
SECTION. NO	WT.Kgs/Mtr
29020	0.554



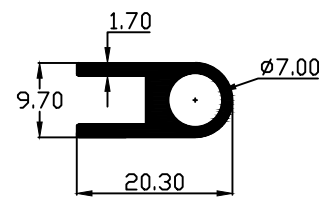
SECTION. NO	WT.Kgs/Mtr
29022	0.731



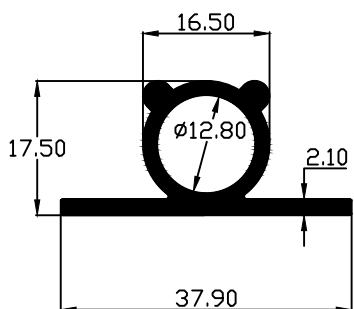
SECTION. NO	WT.Kgs/Mtr
29023	0.746



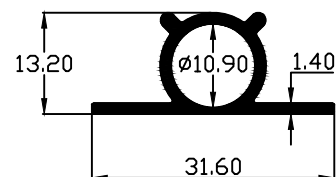
SECTION. NO	WT.Kgs/Mtr
29024	0.247



SECTION. NO	WT.Kgs/Mtr
29025	0.477
P-16	

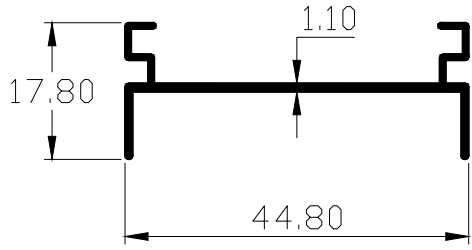


SECTION. NO	WT.Kgs/Mtr
29026	0.259

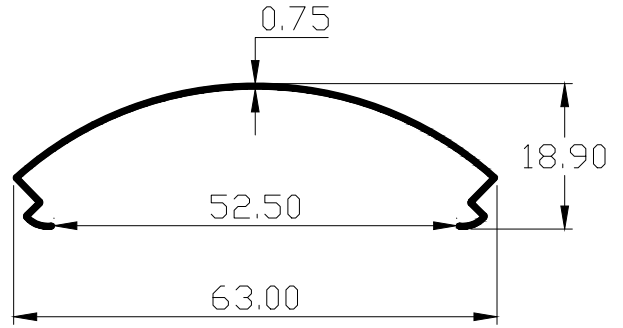


PARAGON ALUMINIUM L.L.P

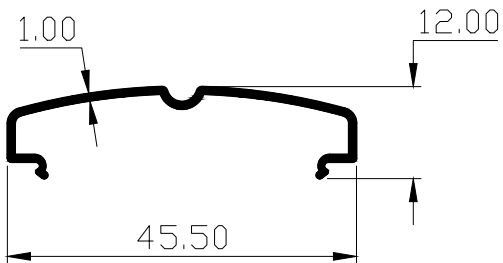
SECTION. NO	WT.Kgs/Mtr
28001	0.246



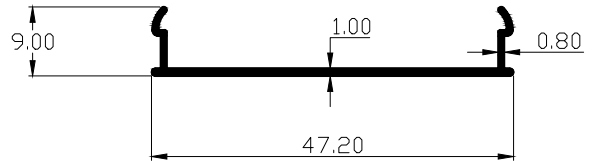
SECTION. NO	WT.Kgs/Mtr
28002	0.181



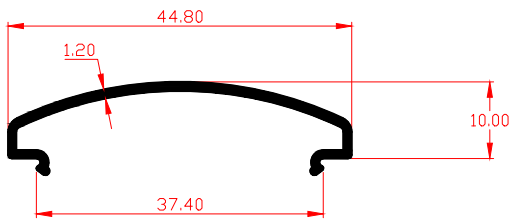
SECTION. NO	WT.Kgs/Mtr
28003	0.188



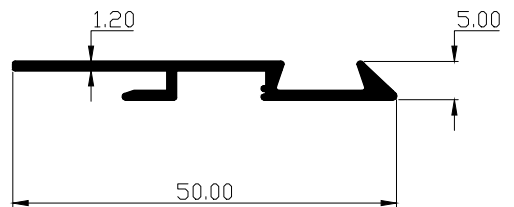
SECTION. NO	WT.Kgs/Mtr
28004	0.166



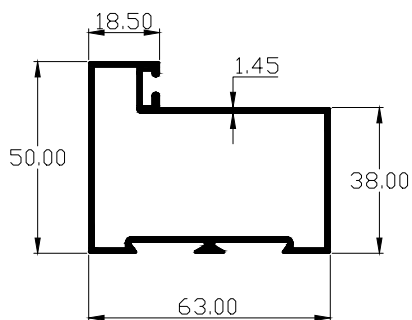
SECTION. NO	WT.Kgs/Mtr
28005	0.207



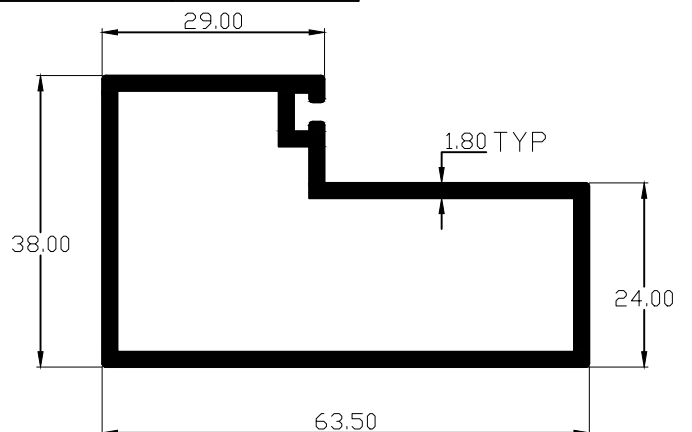
SECTION. NO	WT.Kgs/Mtr
28006	0.235



SECTION. NO	WT.Kgs/Mtr
28007	0.991
P-16	



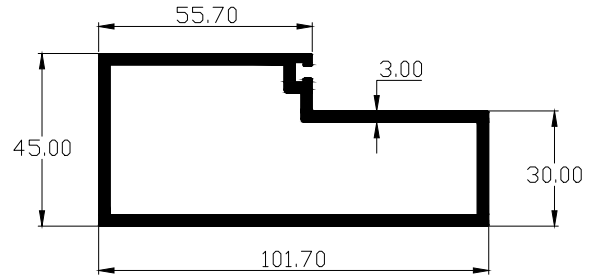
SECTION. NO	WT.Kgs/Mtr
28008	0.982
P-16	



PARAGON ALUMINIUM L.L.P

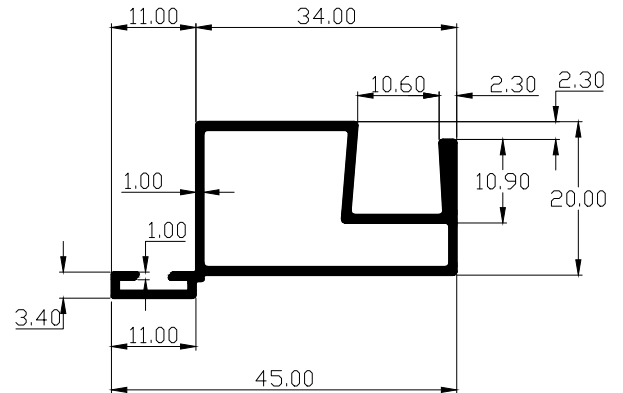
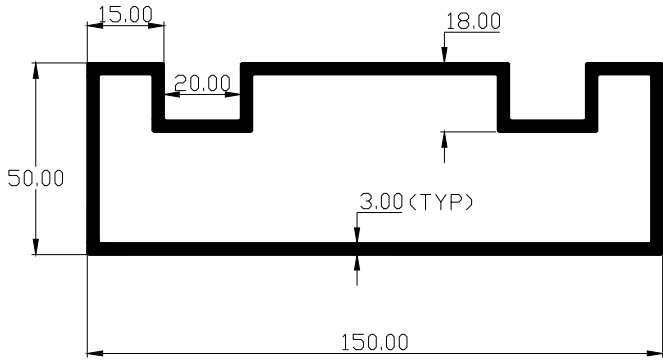
SECTION. NO	WT.Kgs/Mtr

SECTION. NO	WT.Kgs/Mtr
28010	2.318
P-16	



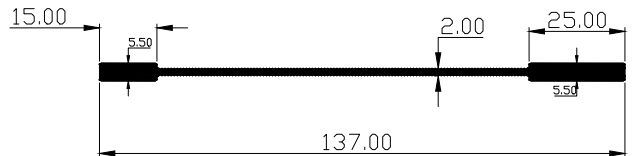
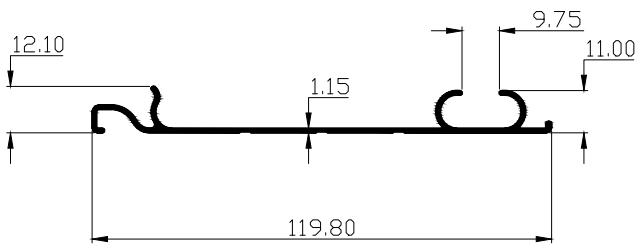
SECTION. NO	WT.Kgs/Mtr
28011	3.628
P-16	

SECTION. NO	WT.Kgs/Mtr
28012	0.413
P-16	



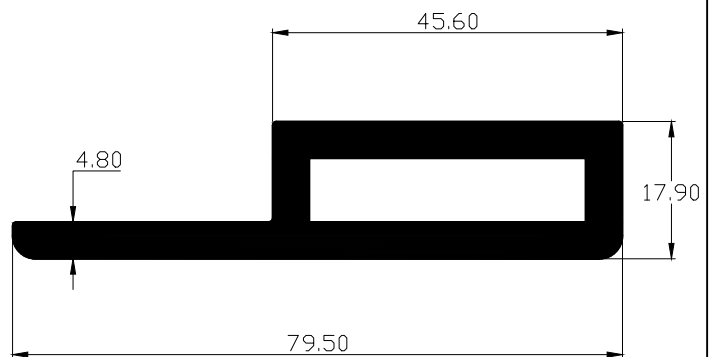
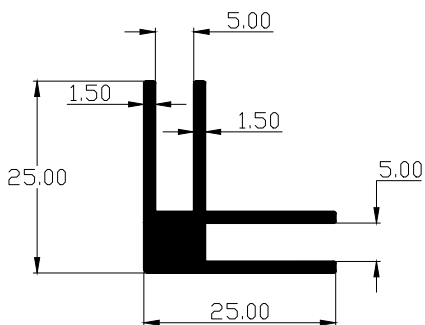
SECTION. NO	WT.Kgs/Mtr
28013	0.531
P-16	

SECTION. NO	WT.Kgs/Mtr
28014	1.039
P-16	



SECTION. NO	WT.Kgs/Mtr
28015	0.447
P-16	

SECTION. NO	WT.Kgs/Mtr
28016	1.825
P-16	

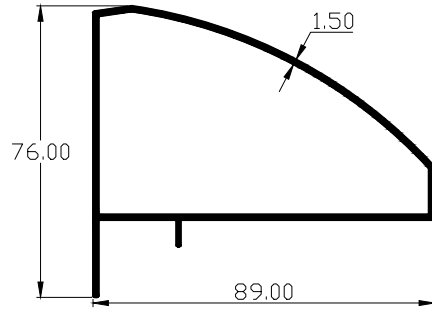


PARAGON ALUMINIUM L.L.P

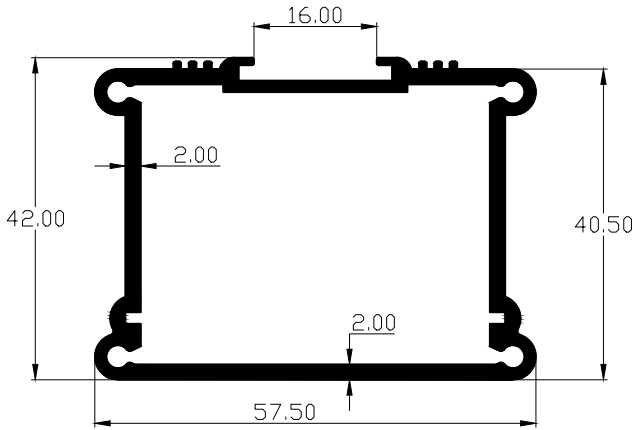
SECTION. NO	WT.Kgs/Mtr
28017	1.150
P-16	



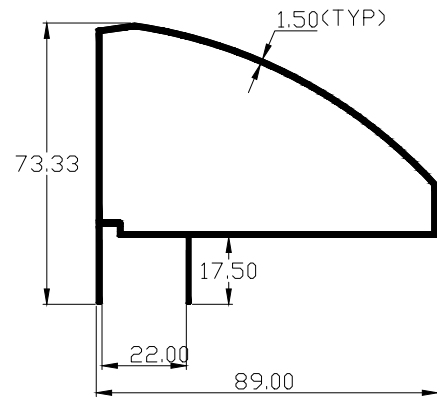
SECTION. NO	WT.Kgs/Mtr
28018	1.128
P-16	



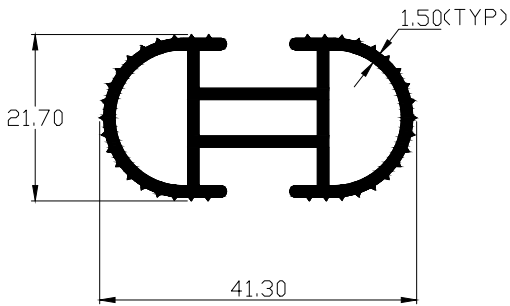
SECTION. NO	WT.Kgs/Mtr
28019	1.088



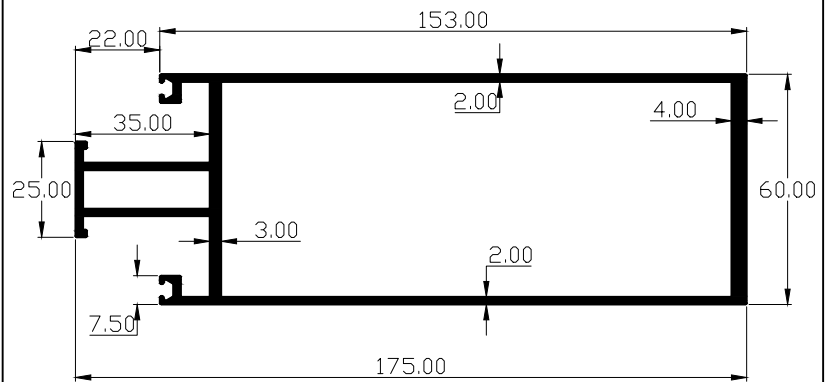
SECTION. NO	WT.Kgs/Mtr
28020	1.164
P-16	



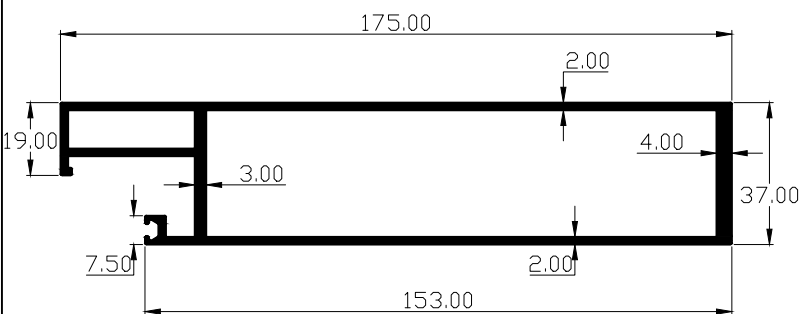
SECTION. NO	WT.Kgs/Mtr
28021	0.620



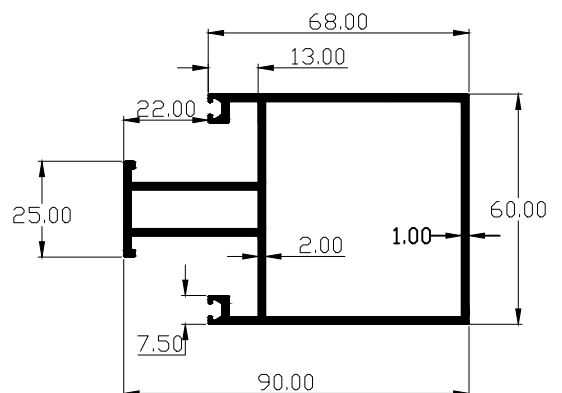
SECTION. NO	WT.Kgs/Mtr
28022	3.296
P-16	



SECTION. NO	WT.Kgs/Mtr
28023	2.711
P-16	

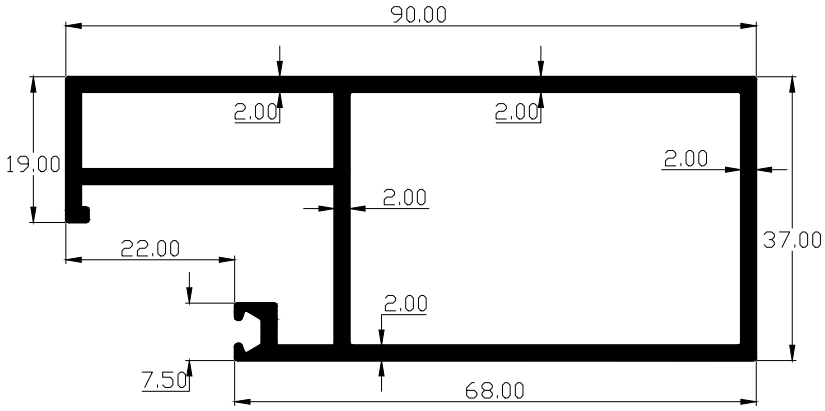


SECTION. NO	WT.Kgs/Mtr
28024	1.924
P-16	

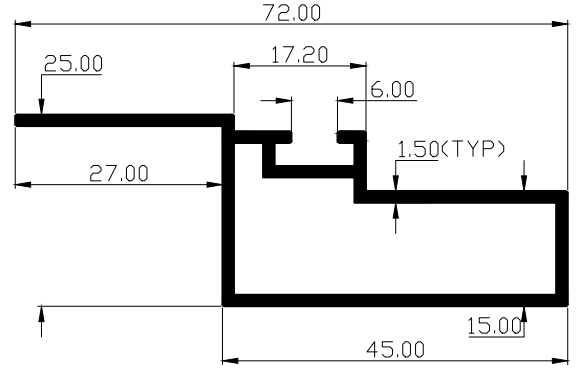


PARAGON ALUMINIUM L.L.P

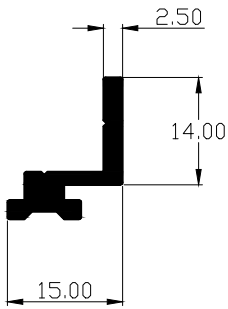
SECTION. NO	WT.Kgs/Mtr
28025	1.526
P-16	



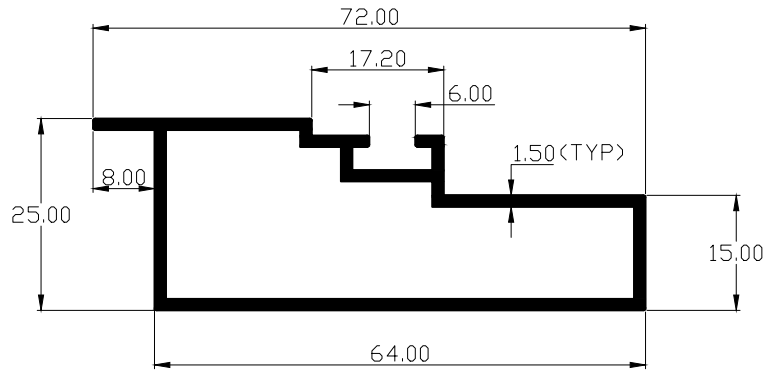
SECTION. NO	WT.Kgs/Mtr
28026	0.677
P-16	



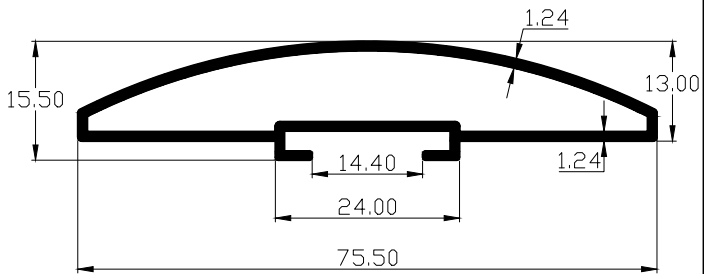
SECTION. NO	WT.Kgs/Mtr
28027	0.222
P-16	



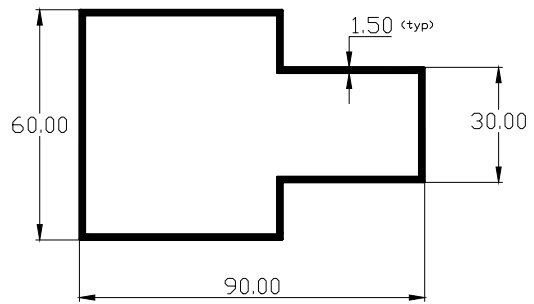
SECTION. NO	WT.Kgs/Mtr
28028	0.764
P-16	



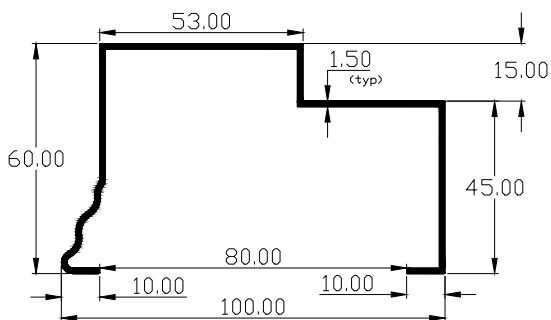
SECTION. NO	WT.Kgs/Mtr
28029	0.573
P-16	



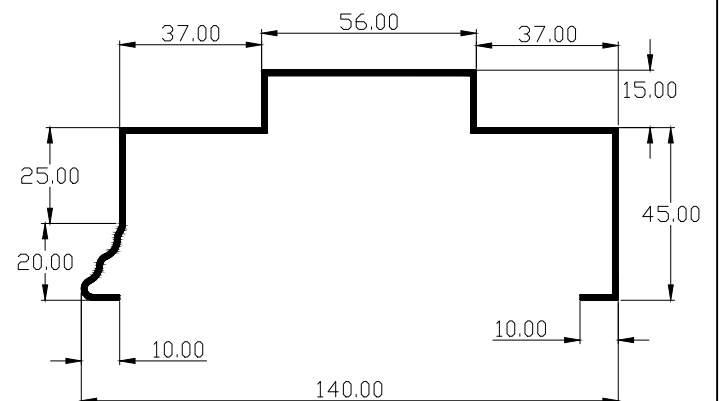
SECTION. NO	WT.Kgs/Mtr
28030	1.190
P-16	



SECTION. NO	WT.Kgs/Mtr
28031	0.917
P-16	

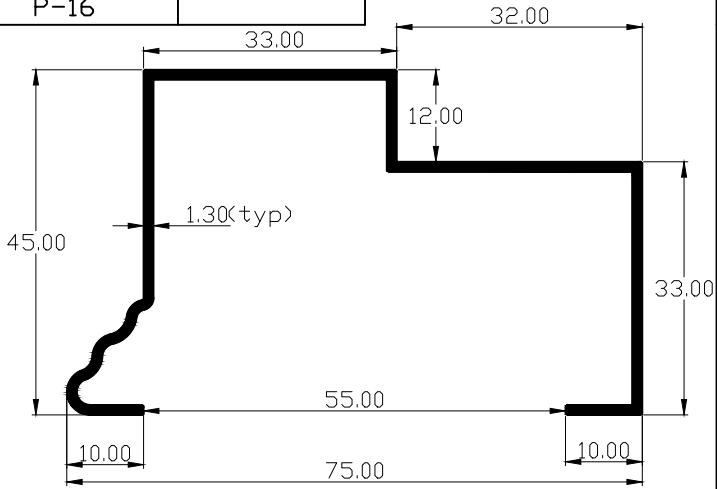


SECTION. NO	WT.Kgs/Mtr
28032	1.080
P-16	

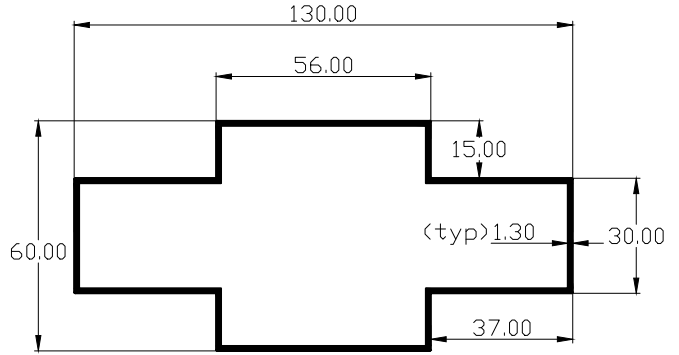


PARAGON ALUMINIUM L.L.P

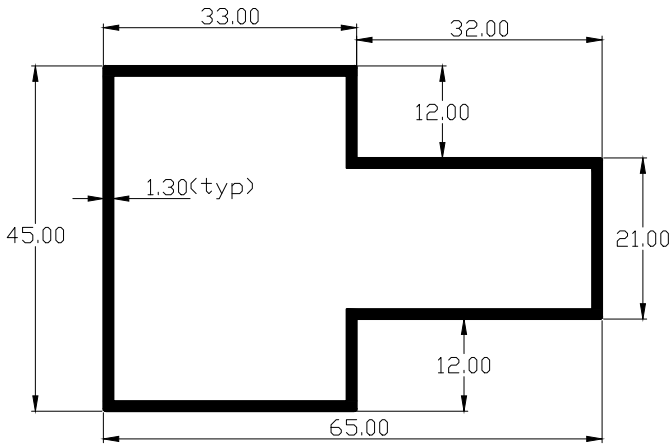
SECTION. NO	WT.Kgs/Mtr
28033	0.608
P-16	



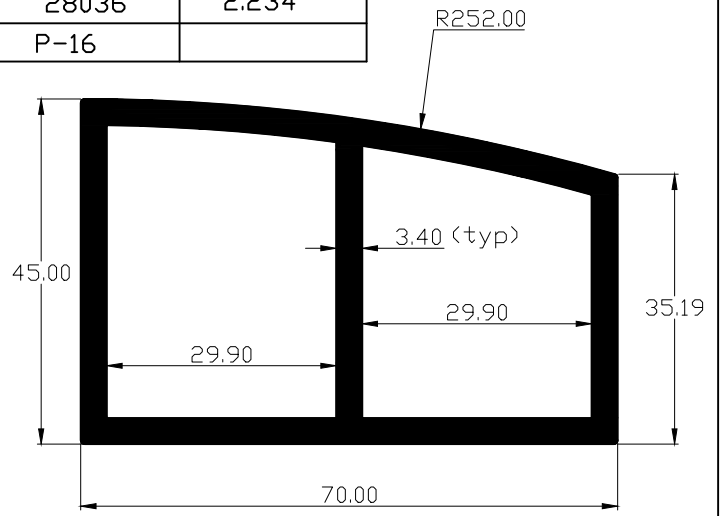
SECTION. NO	WT.Kgs/Mtr
28034	1.315



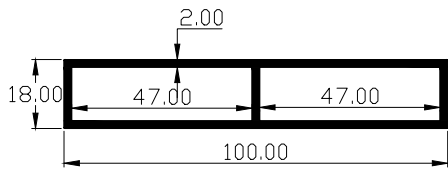
SECTION. NO	WT.Kgs/Mtr
28035	0.753
P-16	



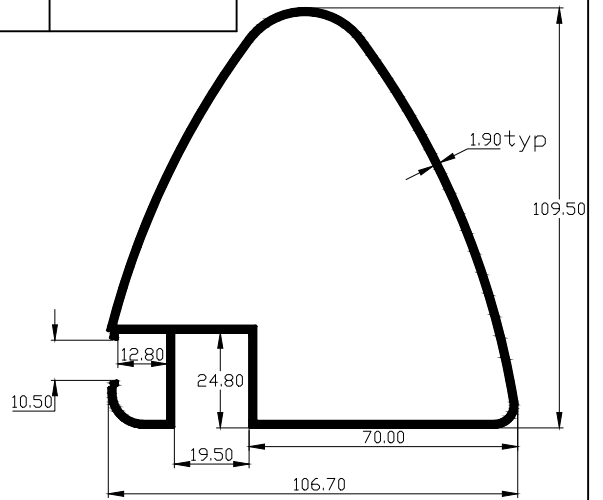
SECTION. NO	WT.Kgs/Mtr
28036	2.234
P-16	



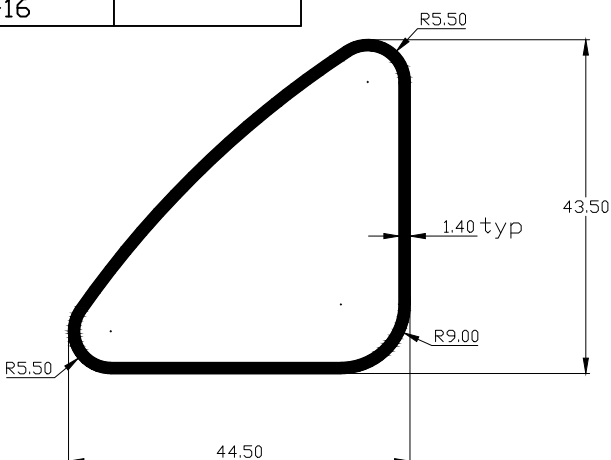
SECTION. NO	WT.Kgs/Mtr
28037	1.306
P-16	



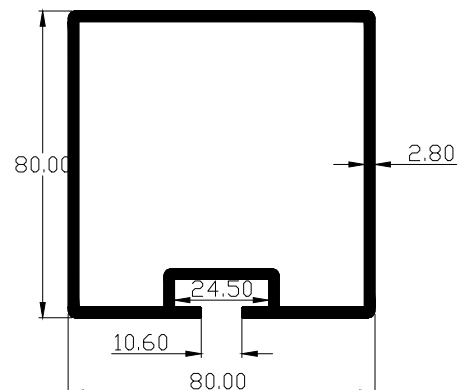
SECTION. NO	WT.Kgs/Mtr
28038	2.068
P-16	



SECTION. NO	WT.Kgs/Mtr
28039	0.535
P-16	

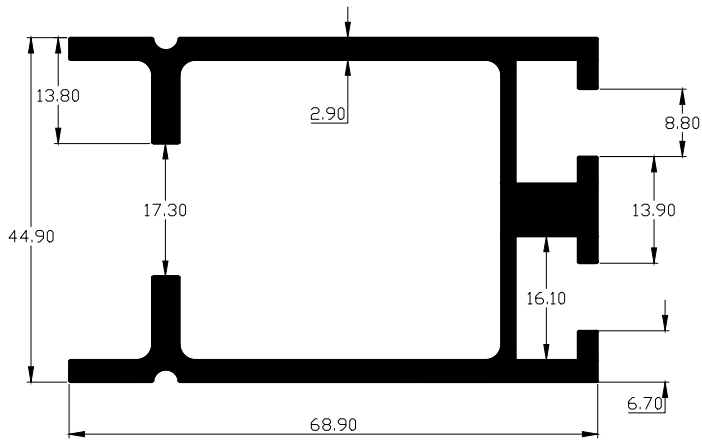


SECTION. NO	WT.Kgs/Mtr
28040	2.576
P-16	

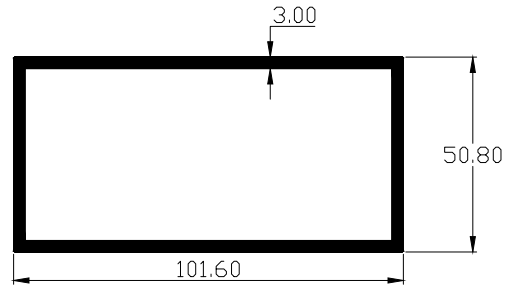


PARAGON ALUMINIUM L.L.P

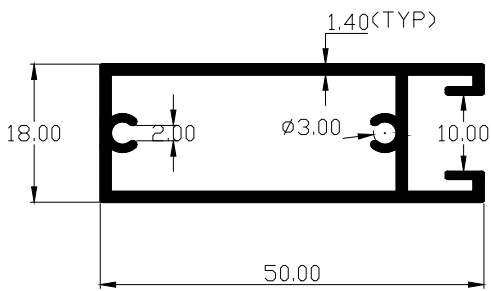
SECTION. NO	WT.Kgs/Mtr
28041	1.785
P-16	



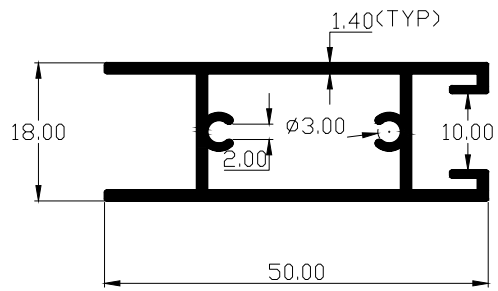
SECTION. NO	WT.Kgs/Mtr
28042	2.371
P-16	



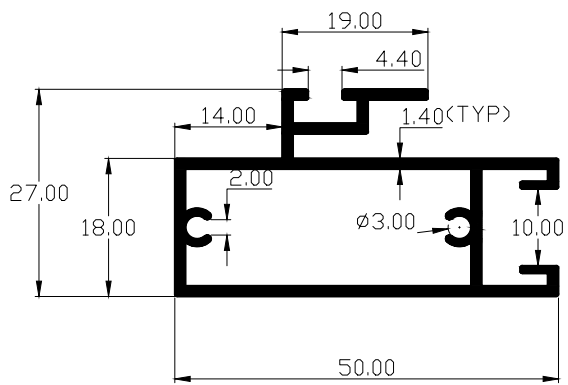
SECTION. NO	WT.Kgs/Mtr
28043	0.568
P-16	



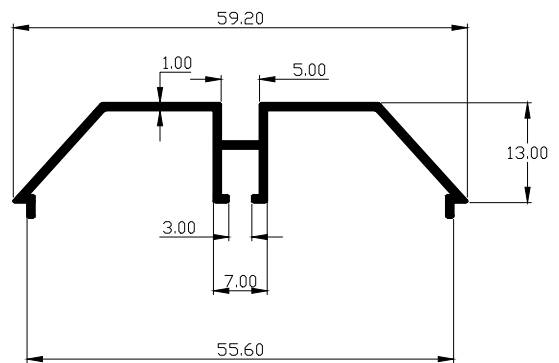
SECTION. NO	WT.Kgs/Mtr
28044	0.568
P-16	



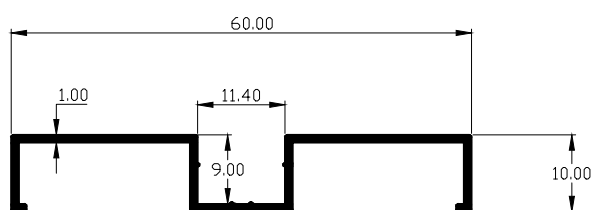
SECTION. NO	WT.Kgs/Mtr
28045	0.700
P-16	



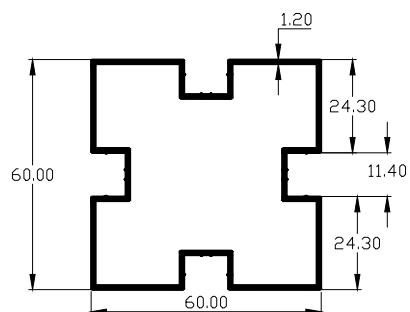
SECTION. NO	WT.Kgs/Mtr
28046	0.274
P-16	



SECTION. NO	WT.Kgs/Mtr
28047	0.265
P-16	

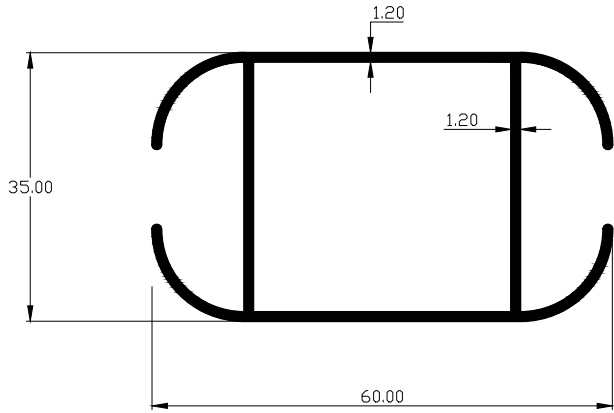


SECTION. NO	WT.Kgs/Mtr
28048	1.00
P-16	

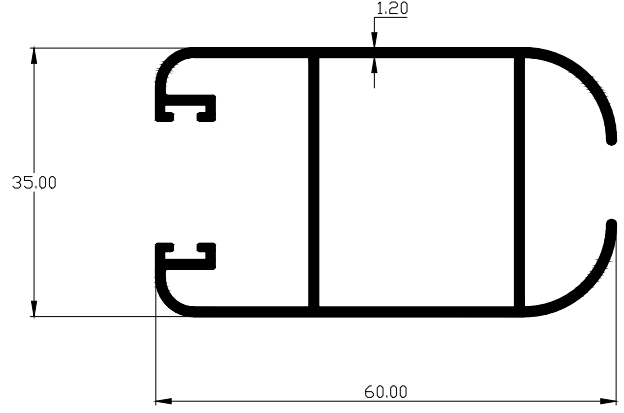


PARAGON ALUMINIUM L.L.P

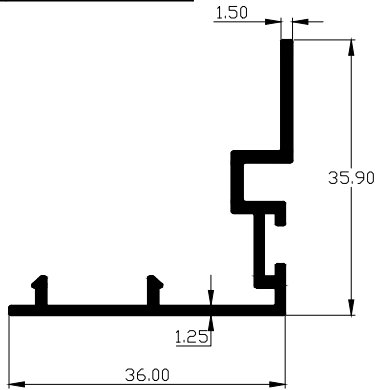
SECTION. NO	WT.Kgs/Mtr
28049	0.682



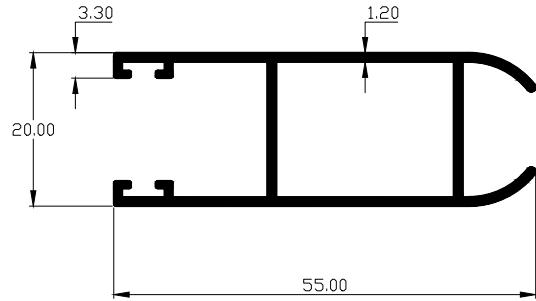
SECTION. NO	WT.Kgs/Mtr
28050	0.748



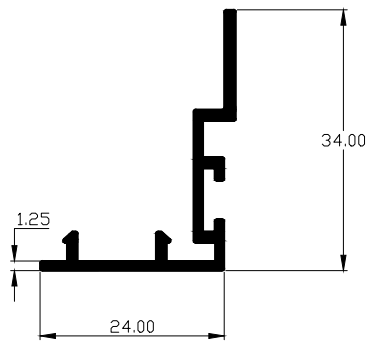
SECTION. NO	WT.Kgs/Mtr
28051	0.353
P-16	



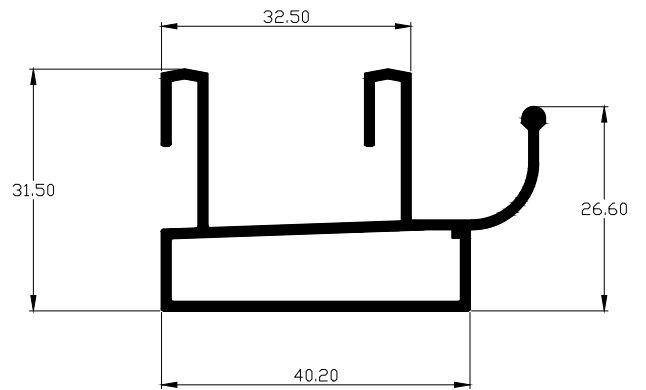
SECTION. NO	WT.Kgs/Mtr
28052	0.513
P-16	



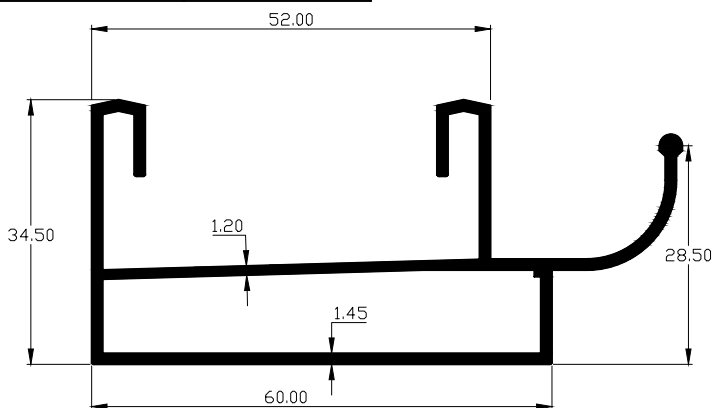
SECTION. NO	WT.Kgs/Mtr
28053	0.279
P-16	



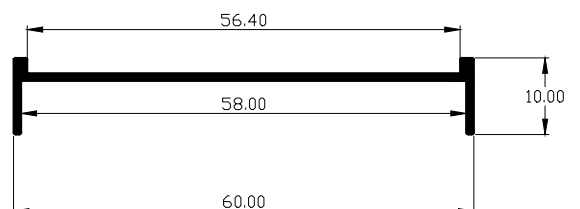
SECTION. NO	WT.Kgs/Mtr
28054	0.610
P-16	



SECTION. NO	WT.Kgs/Mtr
28055	0.918
P-16	

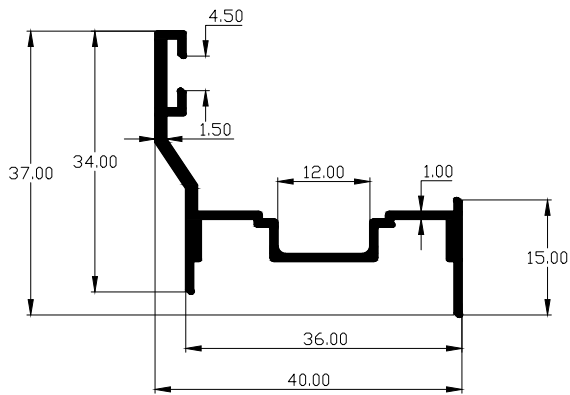


SECTION. NO	WT.Kgs/Mtr
28056	0.218
P-16	

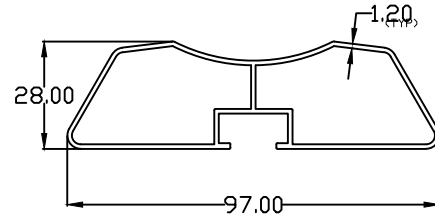


PARAGON ALUMINIUM L.L.P

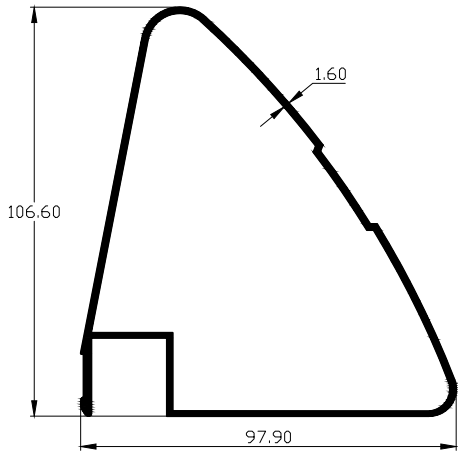
SECTION. NO	WT.Kgs/Mtr
28057	0.345
P-16	



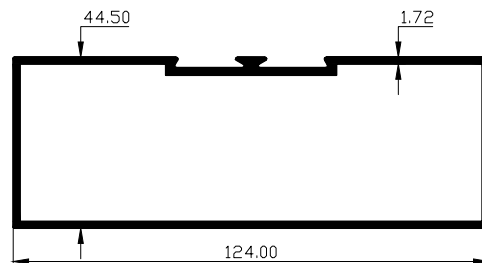
SECTION. NO	WT.Kgs/Mtr
28058	0.836
P-16	



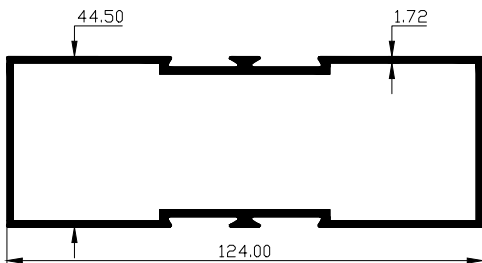
SECTION. NO	WT.Kgs/Mtr
28059	1.495
P-16	



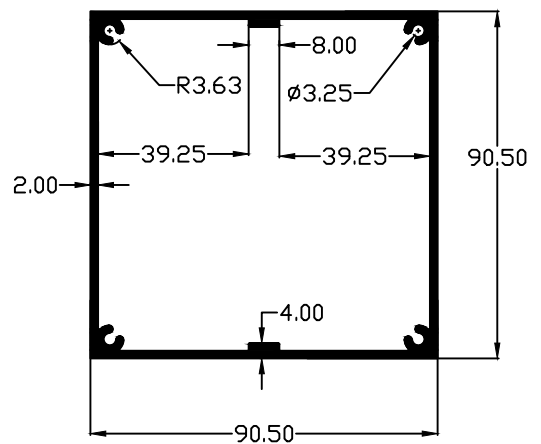
SECTION. NO	WT.Kgs/Mtr
28060	1.641
P-16	



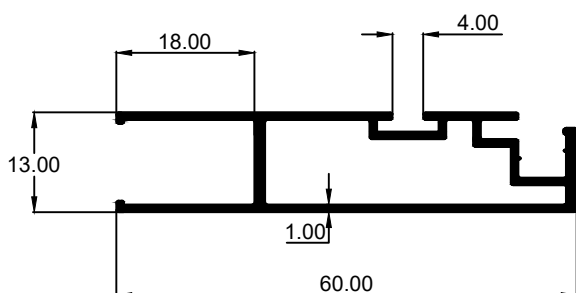
SECTION. NO	WT.Kgs/Mtr
28061	1.641
P-16	



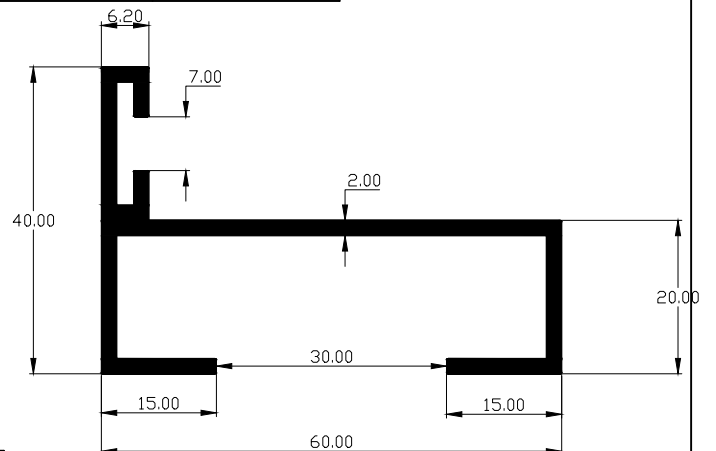
SECTION. NO	WT.Kgs/Mtr
28062	2.263
P-16	



SECTION. NO	WT.Kgs/Mtr
28063	0.463

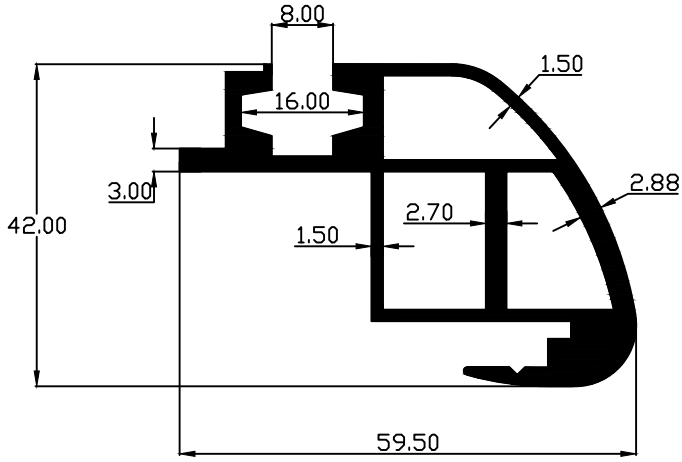


SECTION. NO	WT.Kgs/Mtr
28064	0.860

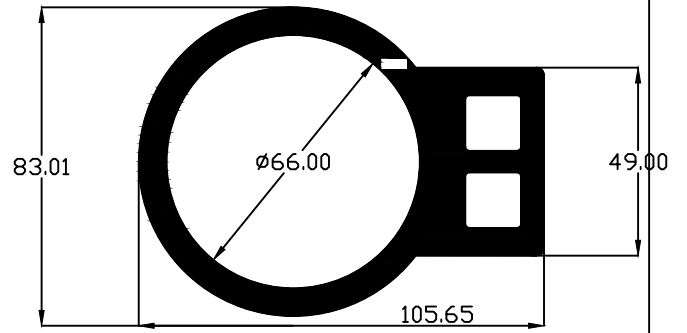


PARAGON ALUMINIUM L.L.P

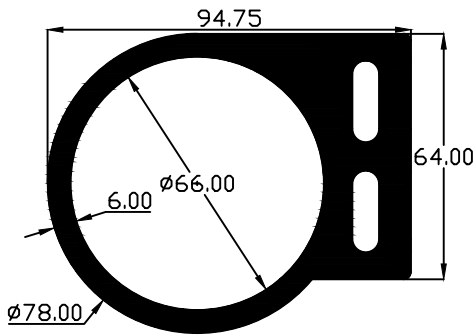
SECTION. NO	WT.Kgs/Mtr
28065	1.414



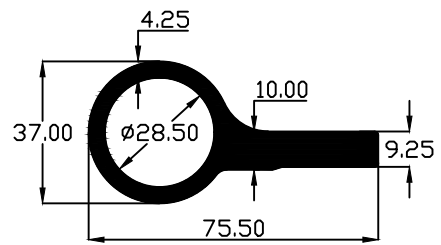
SECTION. NO	WT.Kgs/Mtr
28066	7.046
P-16	



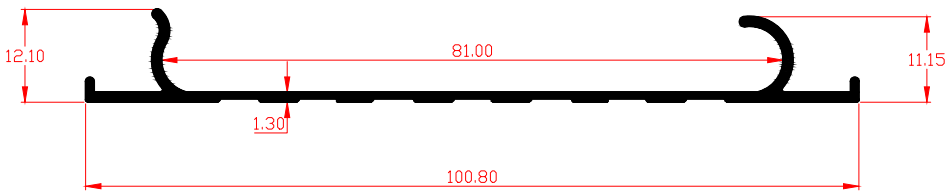
SECTION. NO	WT.Kgs/Mtr
28067	6.879
P-16	



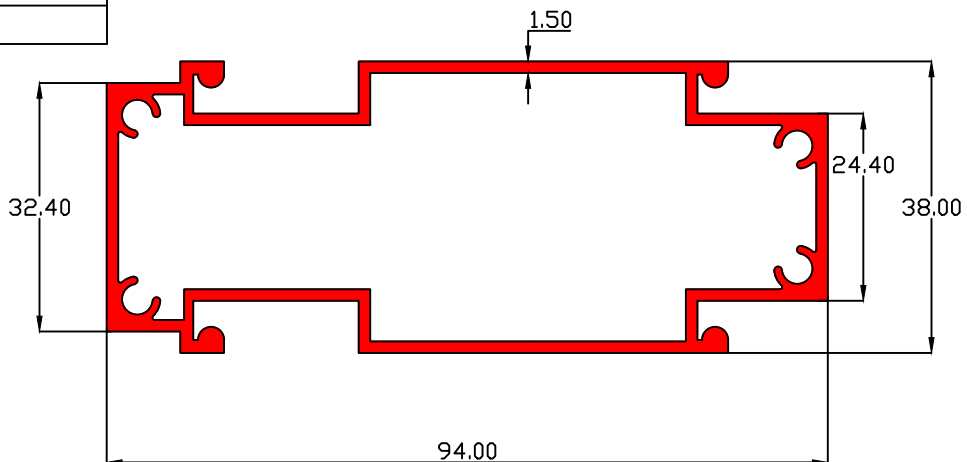
SECTION. NO	WT.Kgs/Mtr
28068	8.930
P-16	



SECTION. NO	WT.Kgs/Mtr
28069	0.416

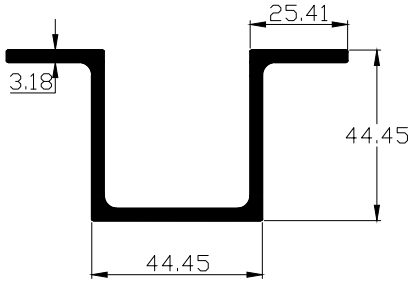


SECTION. NO	WT.Kgs/Mtr
28070	1.369

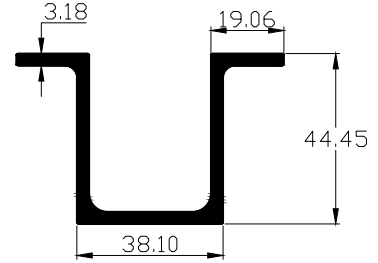


PARAGON ALUMINIUM L.L.P

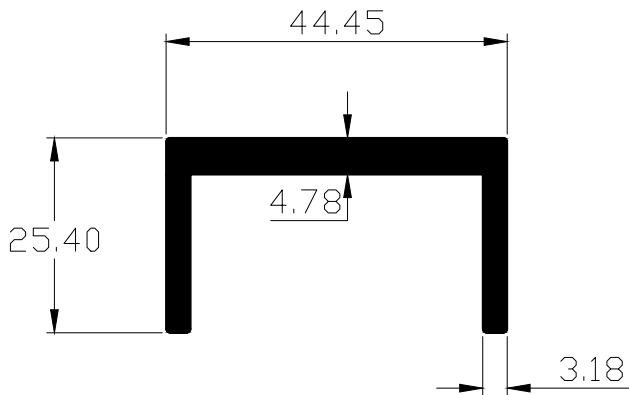
SECTION. NO	WT.Kgs/Mtr
27001	1.496



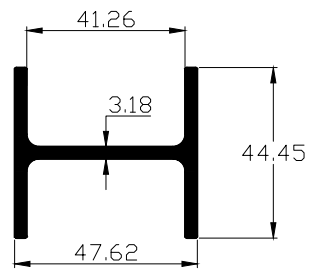
SECTION. NO	WT.Kgs/Mtr
27002	1.345



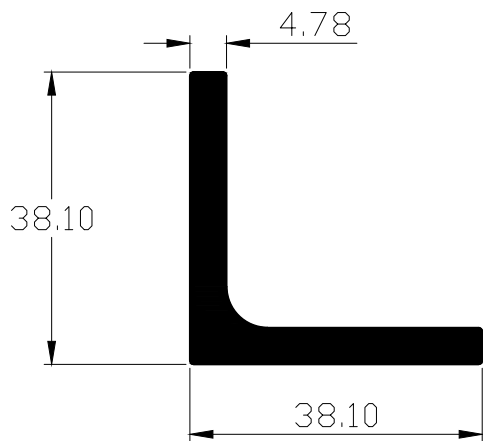
SECTION. NO	WT.Kgs/Mtr
27003	0.926



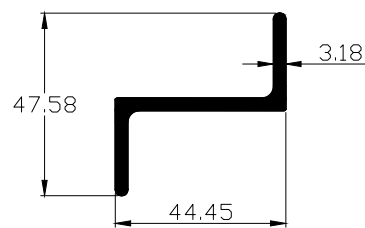
SECTION. NO	WT.Kgs/Mtr
27004	1.142



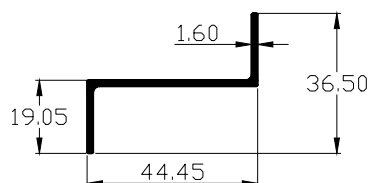
SECTION. NO	WT.Kgs/Mtr
27005	0.935



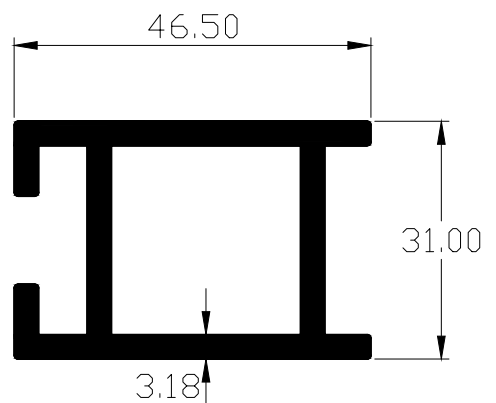
SECTION. NO	WT.Kgs/Mtr
27006	0.776



SECTION. NO	WT.Kgs/Mtr
27007	0.345

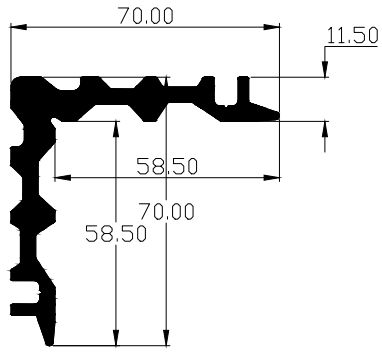


SECTION. NO	WT.Kgs/Mtr
27008	1.332

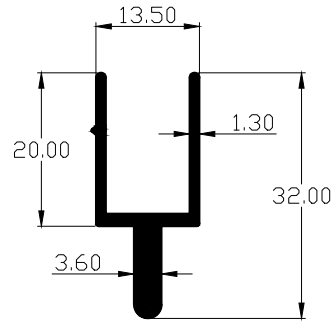


PARAGON ALUMINIUM L.L.P

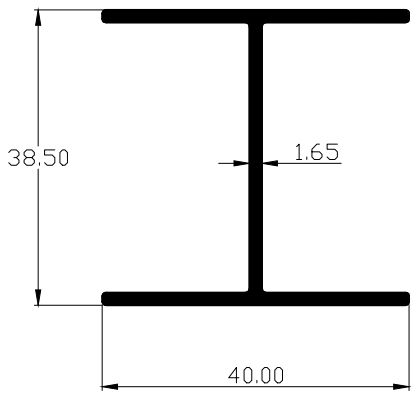
SECTION. NO	WT.Kgs/Mtr
27009	2.300



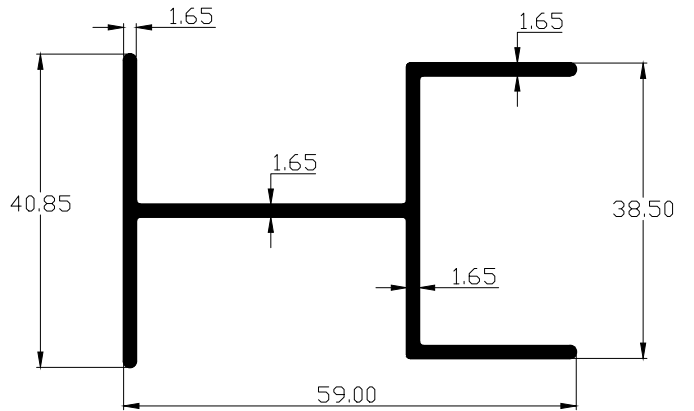
SECTION. NO	WT.Kgs/Mtr
27010	0.301



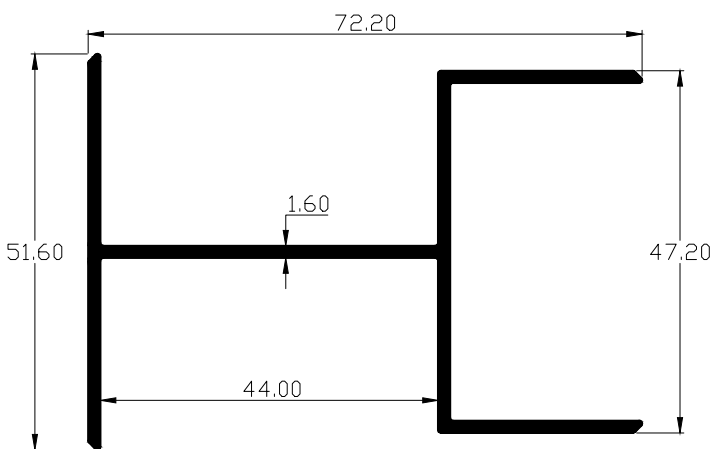
SECTION. NO	WT.Kgs/Mtr
27011	0.512



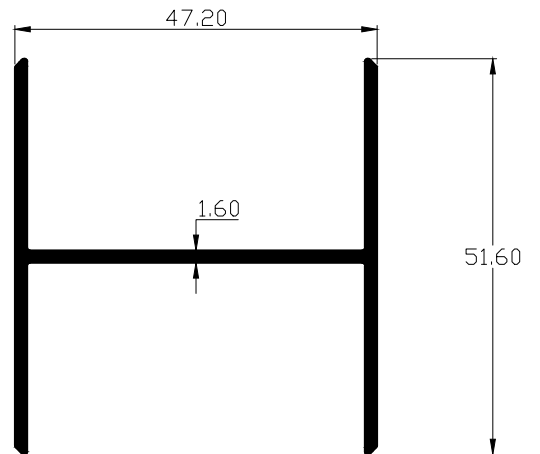
SECTION. NO	WT.Kgs/Mtr
27012	0.690



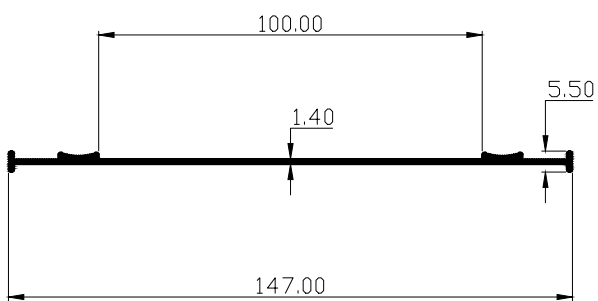
SECTION. NO	WT.Kgs/Mtr
27013	0.827



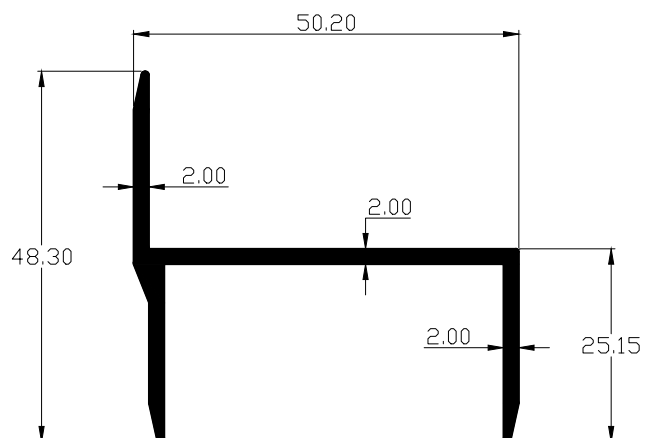
SECTION. NO	WT.Kgs/Mtr
27014	0.630



SECTION. NO	WT.Kgs/Mtr
27015	0.635

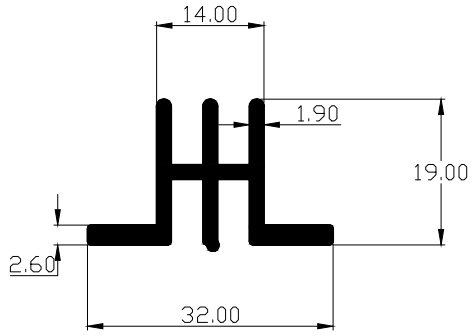


SECTION. NO	WT.Kgs/Mtr
27016	0.636

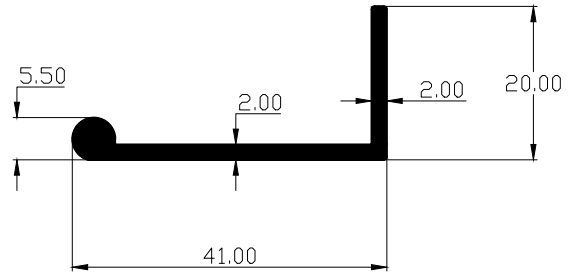


PARAGON ALUMINIUM L.L.P

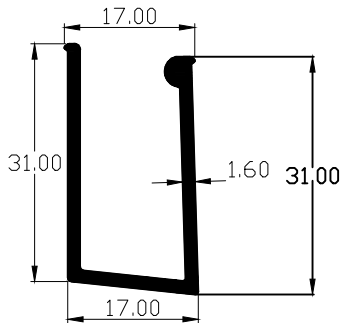
SECTION. NO	WT.Kgs/Mtr
27017	0.457



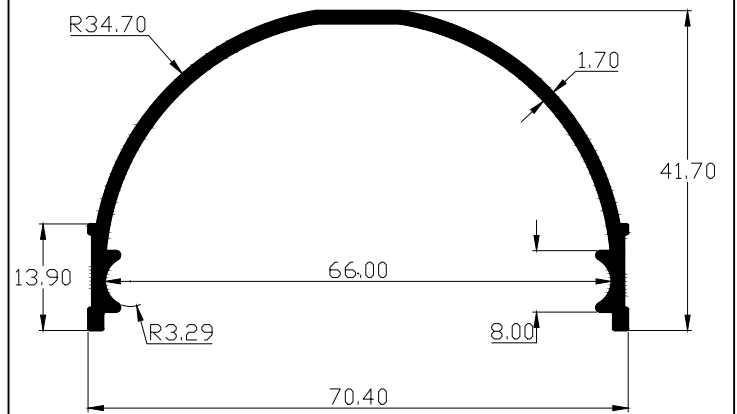
SECTION. NO	WT.Kgs/Mtr
27018	0.358



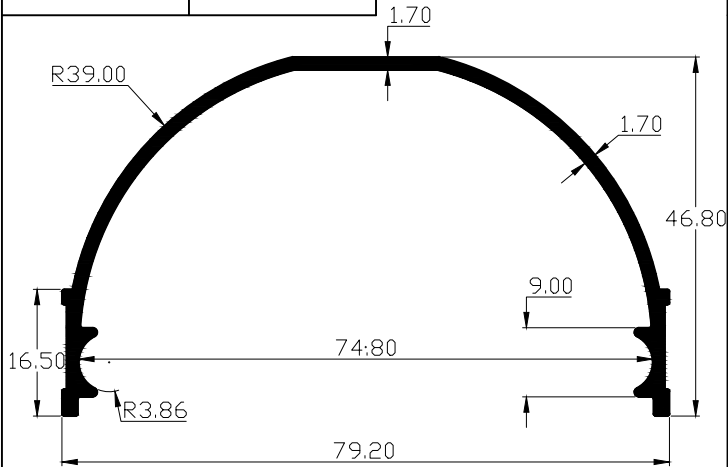
SECTION. NO	WT.Kgs/Mtr
27019	0.345



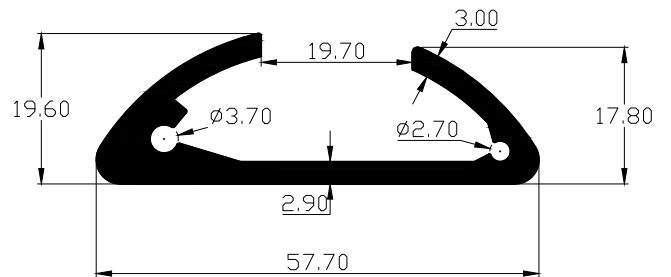
SECTION. NO	WT.Kgs/Mtr
27020	0.609



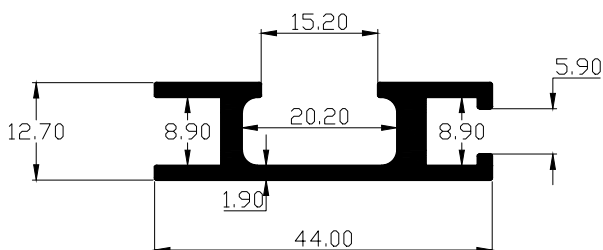
SECTION. NO	WT.Kgs/Mtr
27021	0.700



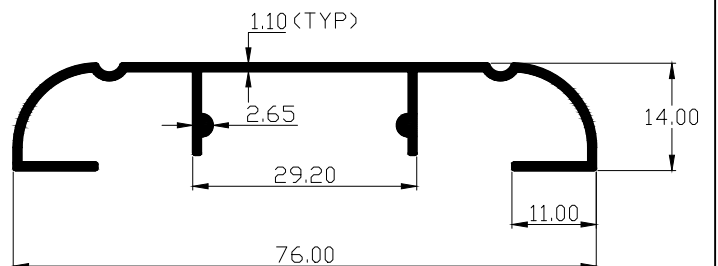
SECTION. NO	WT.Kgs/Mtr
27022	0.931



SECTION. NO	WT.Kgs/Mtr
27023	1.978

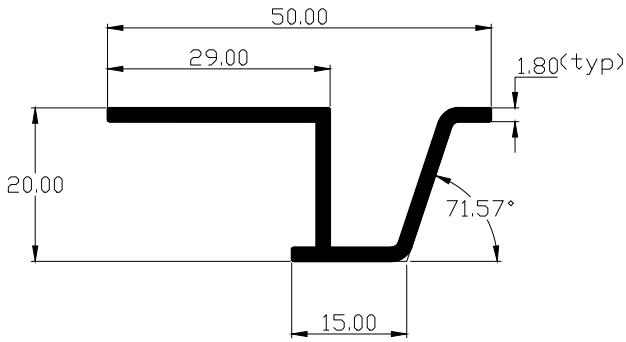


SECTION. NO	WT.Kgs/Mtr
27024	0.424

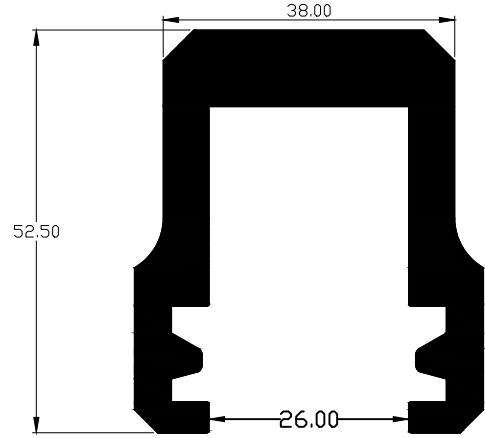


PARAGON ALUMINIUM L.L.P

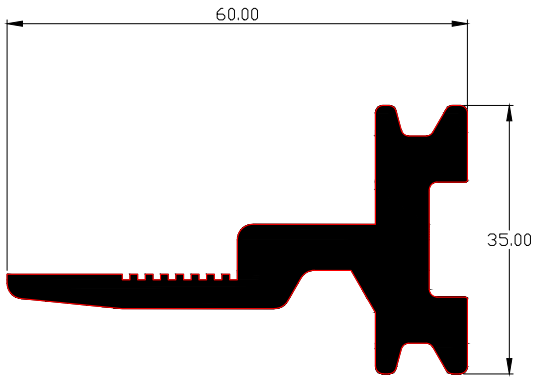
SECTION. NO	WT.Kgs/Mtr
27025	0.406



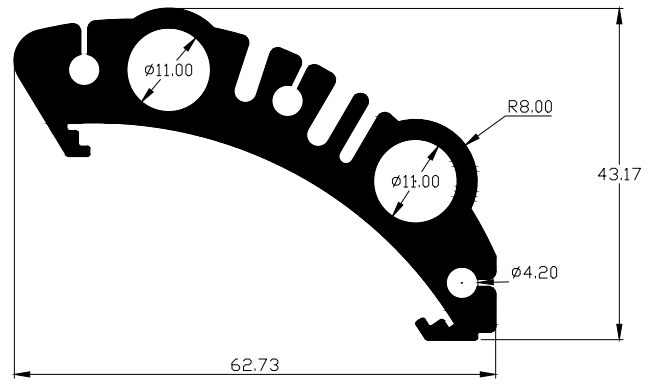
SECTION. NO	WT.Kgs/Mtr
27026	2.570



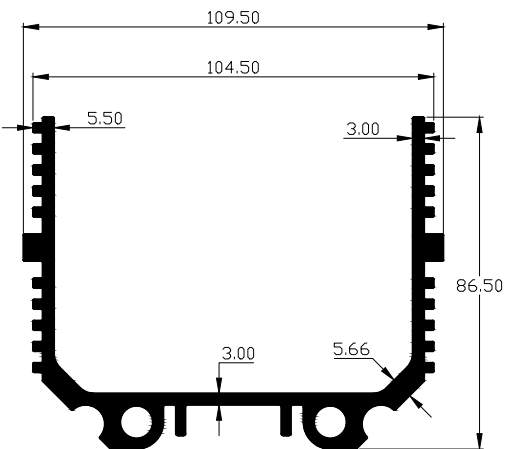
SECTION. NO	WT.Kgs/Mtr
27027	1.544



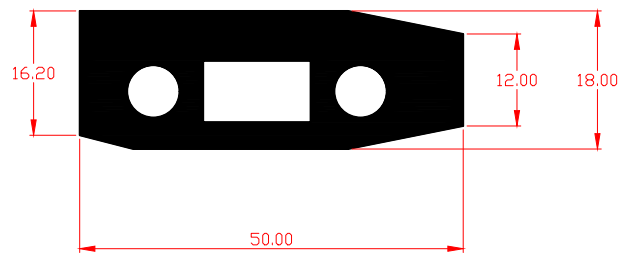
SECTION. NO	WT.Kgs/Mtr
27028	1.828



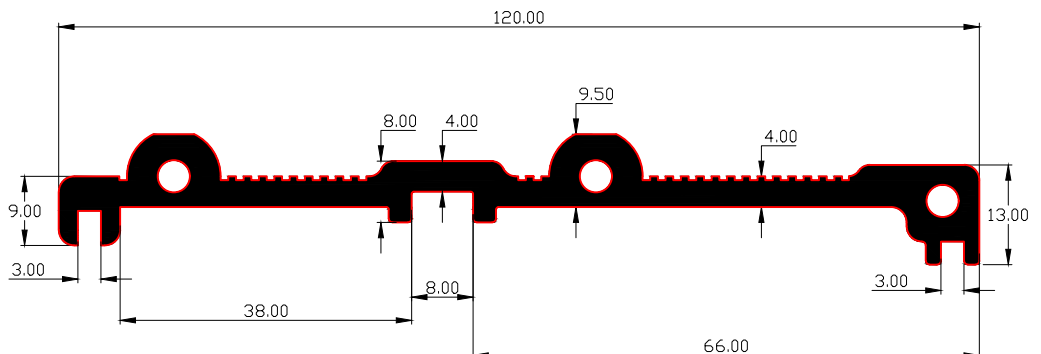
SECTION. NO	WT.Kgs/Mtr
27029	3.326



SECTION. NO	WT.Kgs/Mtr
27031	1.792

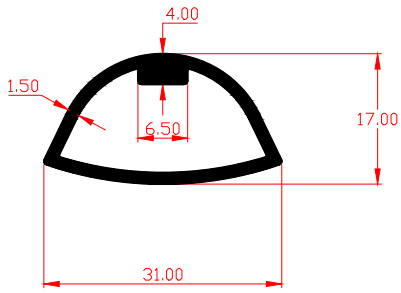


SECTION. NO	WT.Kgs/Mtr
27030	1.799

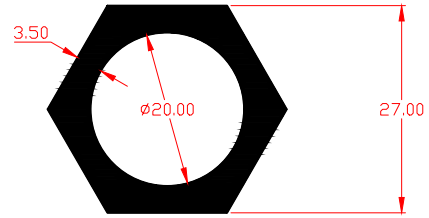


PARAGON ALUMINIUM L.L.P

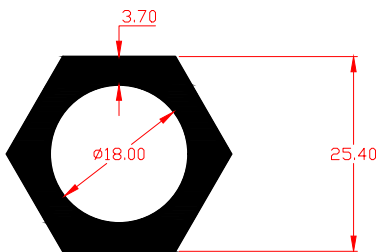
SECTION. NO	WT.Kgs/Mtr
27032	0.332



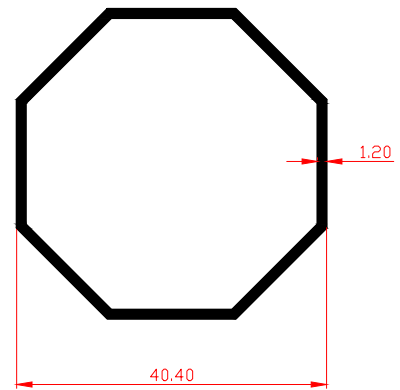
SECTION. NO	WT.Kgs/Mtr
27033	0.856



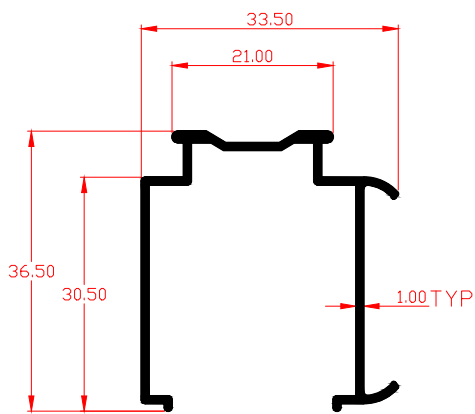
SECTION. NO	WT.Kgs/Mtr
27034	0.821



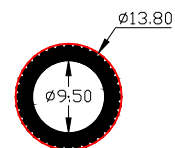
SECTION. NO	WT.Kgs/Mtr
27035	0.420



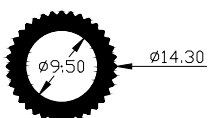
SECTION. NO	WT.Kgs/Mtr
27036	0.330



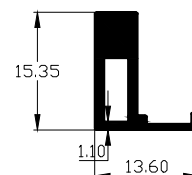
SECTION. NO	WT.Kgs/Mtr
27037	0.185



SECTION. NO	WT.Kgs/Mtr
27038	0.127

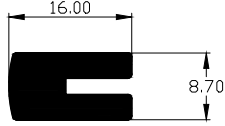


SECTION. NO	WT.Kgs/Mtr
27039	0.186

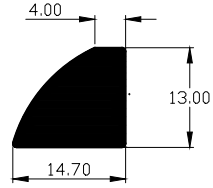


PARAGON ALUMINIUM L.L.P

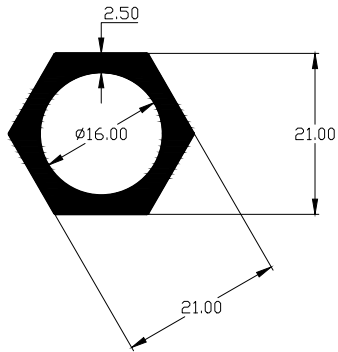
SECTION. NO	WT.Kgs/Mtr
27040	0.320



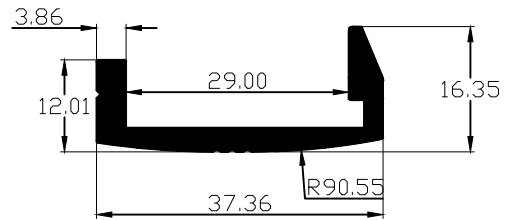
SECTION. NO	WT.Kgs/Mtr
27041	0.389



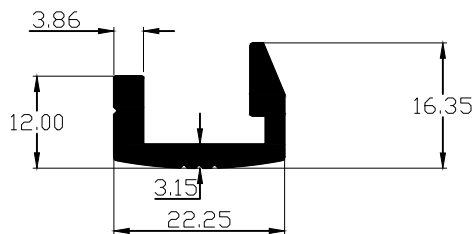
SECTION. NO	WT.Kgs/Mtr
27042	0.488



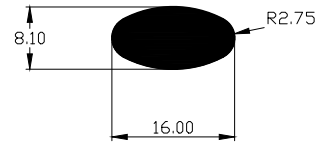
SECTION. NO	WT.Kgs/Mtr
27043	0.447



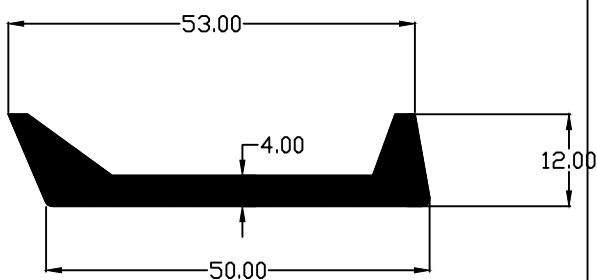
SECTION. NO	WT.Kgs/Mtr
27044	0.378



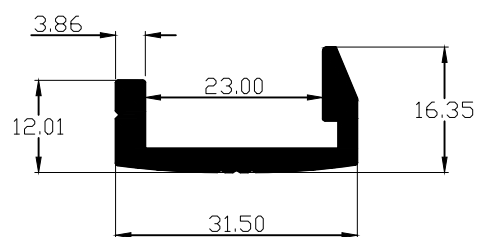
SECTION. NO	WT.Kgs/Mtr
27045	0.276



SECTION. NO	WT.Kgs/Mtr
27046	0.782

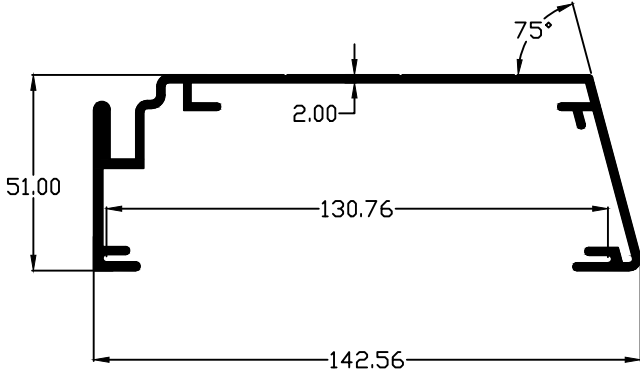


SECTION. NO	WT.Kgs/Mtr
27047	0.448

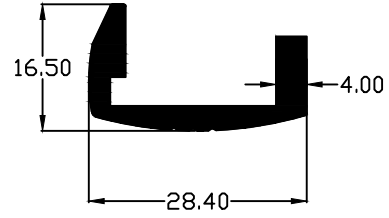


PARAGON ALUMINIUM L.L.P

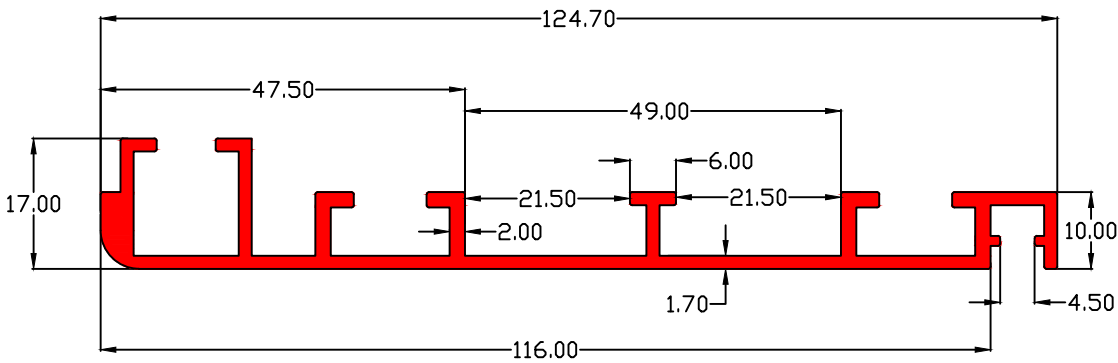
SECTION. NO	WT.Kgs/Mtr
27048	1.791



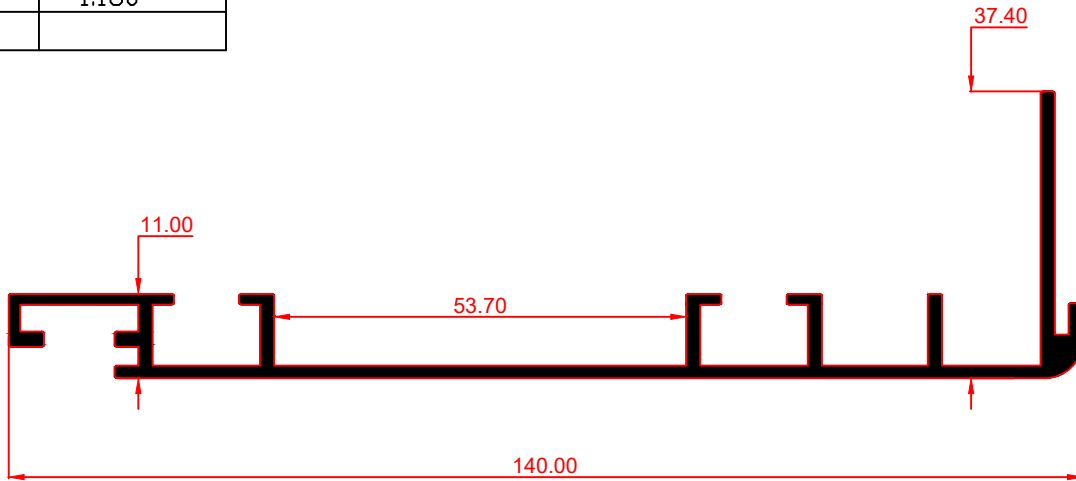
SECTION. NO	WT.Kgs/Mtr
27049	0.417



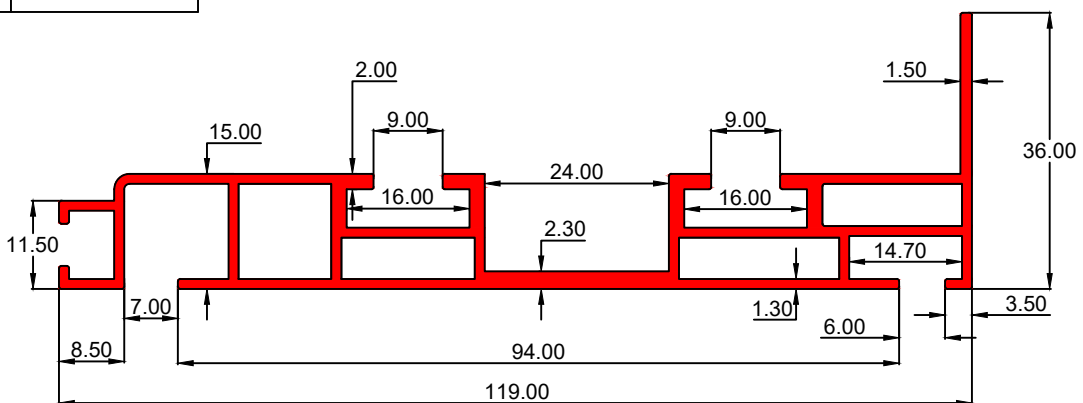
SECTION. NO	WT.Kgs/Mtr
27050	1.131



SECTION. NO	WT.Kgs/Mtr
27051	1.180

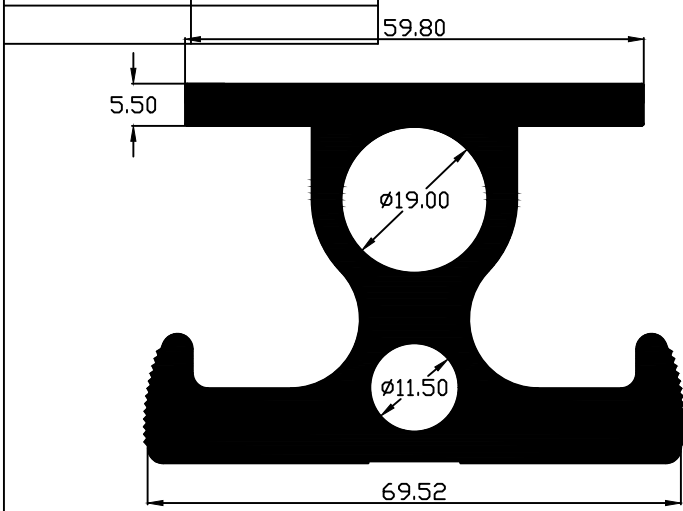


SECTION. NO	WT.Kgs/Mtr
27052	1.362

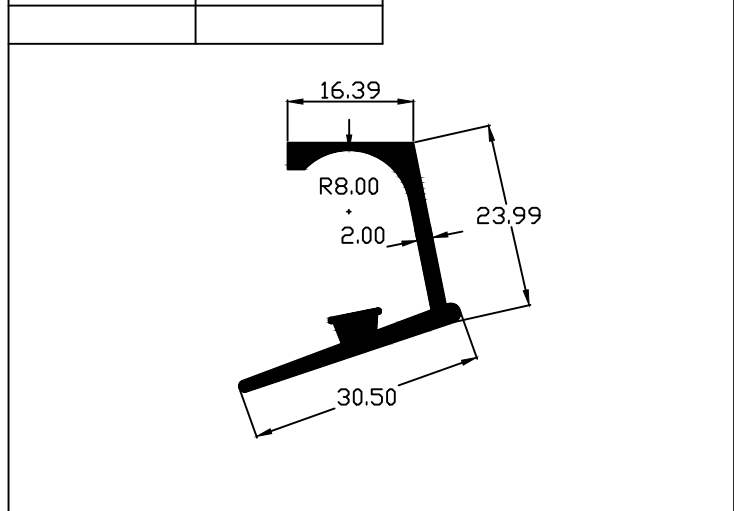


PARAGON ALUMINIUM L.L.P

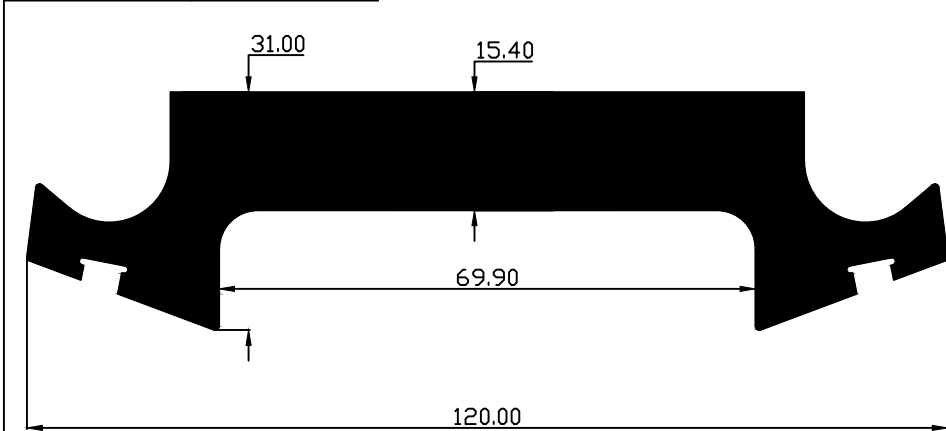
SECTION. NO	WT.Kgs/Mtr
27053	3.875



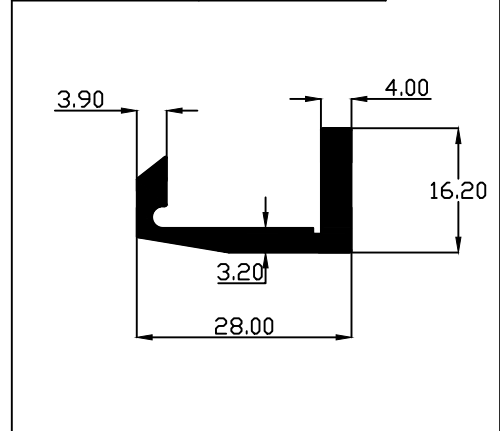
SECTION. NO	WT.Kgs/Mtr
27055	0.409



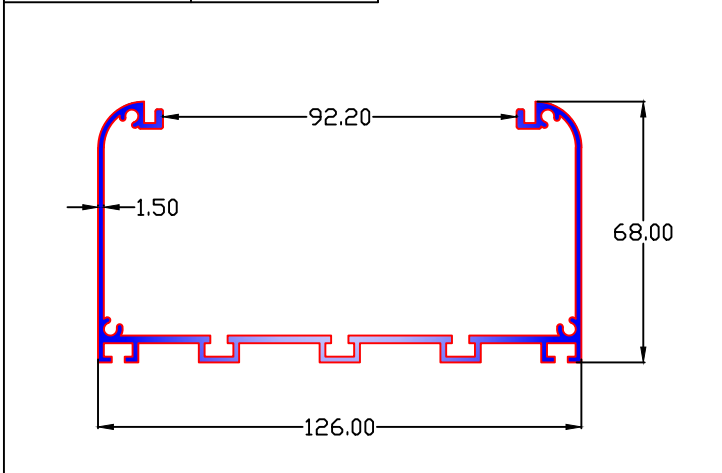
SECTION. NO	WT.Kgs/Mtr
27054	4.885



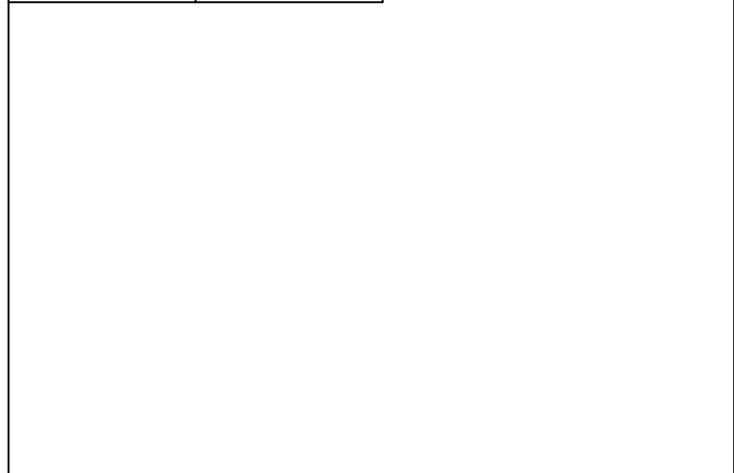
SECTION. NO	WT.Kgs/Mtr
27056	0.418



SECTION. NO	WT.Kgs/Mtr
27057	1.675



SECTION. NO	WT.Kgs/Mtr



SECTION. NO	WT.Kgs/Mtr

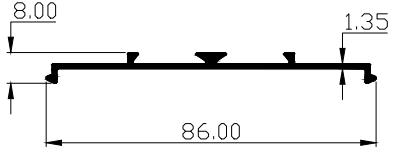


SECTION. NO	WT.Kgs/Mtr

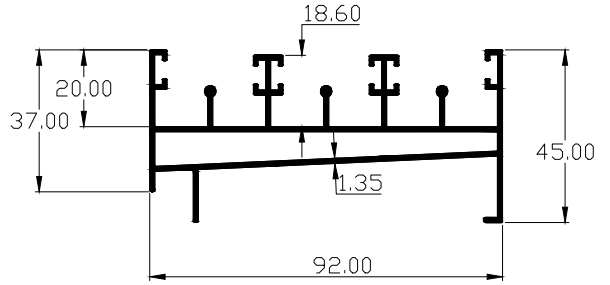


PARAGON ALUMINIUM L.L.P

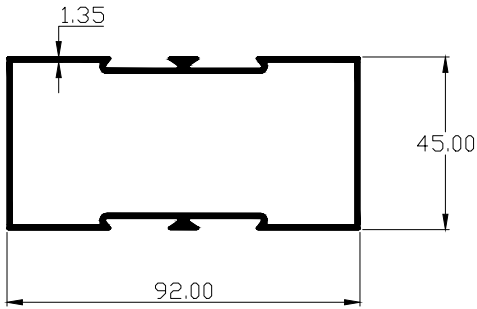
SECTION. NO	WT.Kgs/Mtr
26001	0.412
P-16	



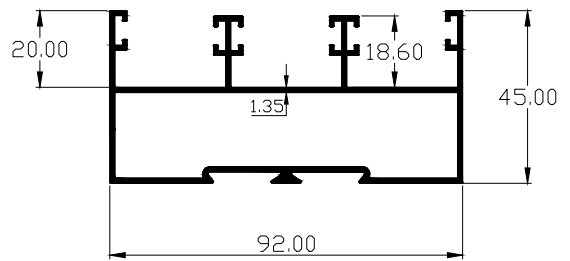
SECTION. NO	WT.Kgs/Mtr
26002	1.475
P-16	



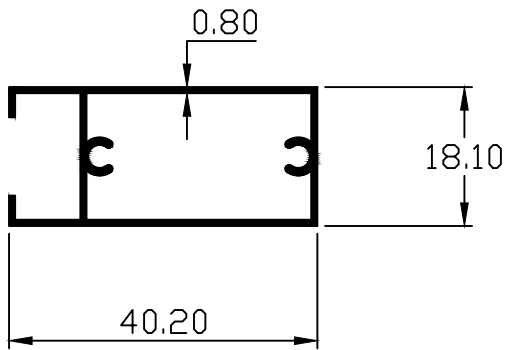
SECTION. NO	WT.Kgs/Mtr
26003	1.118
P-16	



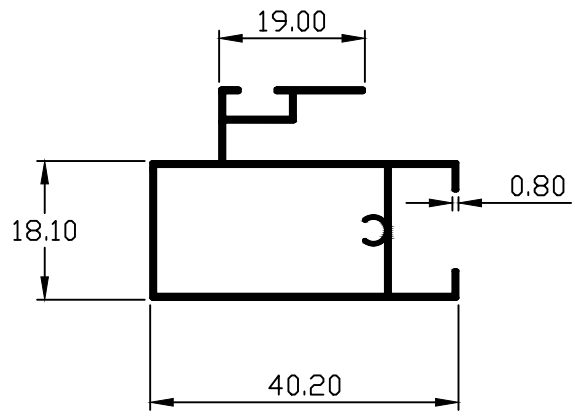
SECTION. NO	WT.Kgs/Mtr
26004	1.357
P-16	



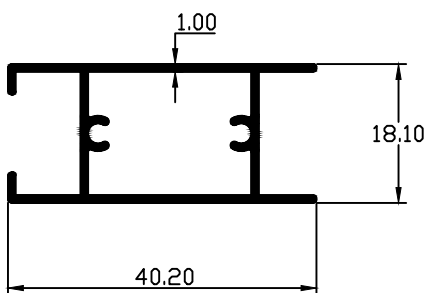
SECTION. NO	WT.Kgs/Mtr
26005	0.303
P-16	



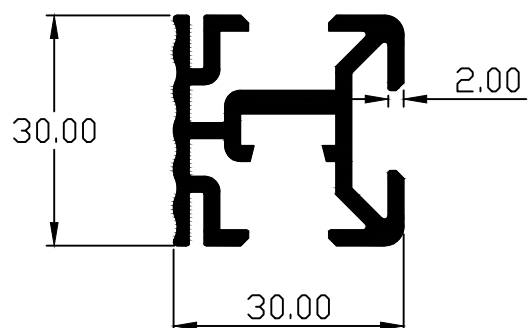
SECTION. NO	WT.Kgs/Mtr
26006	0.343
P-16	



SECTION. NO	WT.Kgs/Mtr
26007	0.350

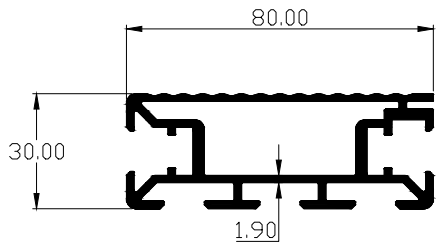


SECTION. NO	WT.Kgs/Mtr
26008	0.822

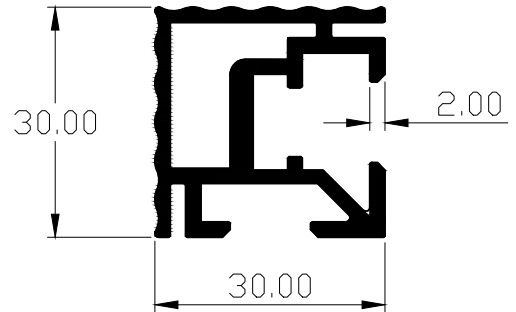


PARAGON ALUMINIUM L.L.P

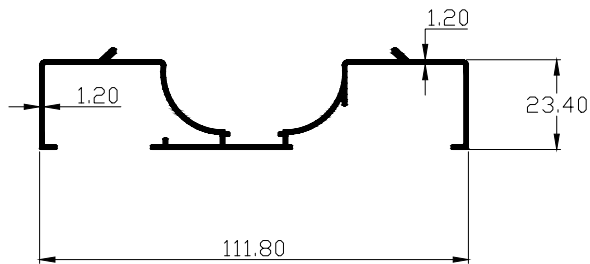
SECTION. NO	WT.Kgs/Mtr
26009	1.740



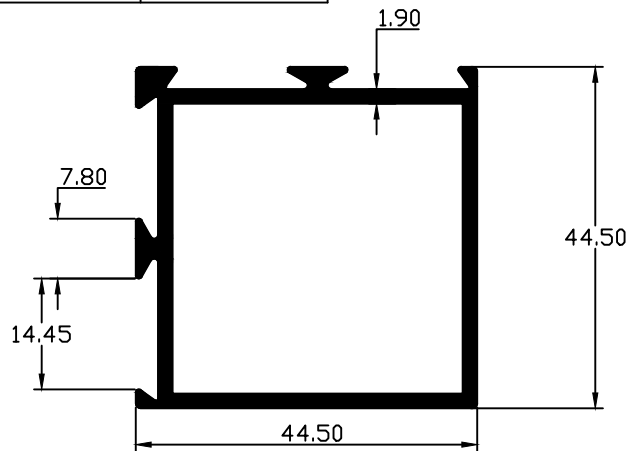
SECTION. NO	WT.Kgs/Mtr
26010	0.826



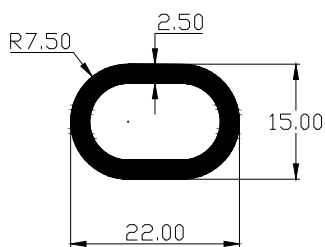
SECTION. NO	WT.Kgs/Mtr
26011	0.750



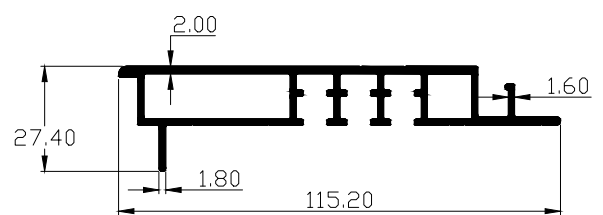
SECTION. NO	WT.Kgs/Mtr
26012	0.971



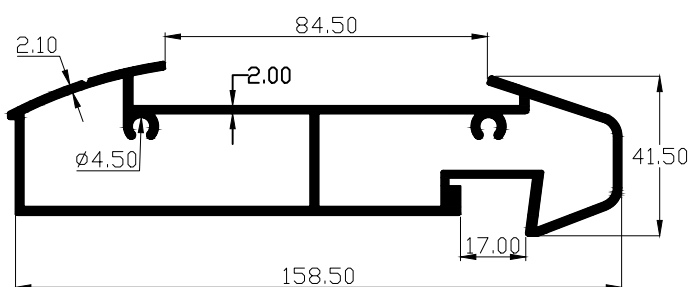
SECTION. NO	WT.Kgs/Mtr
26013	0.360



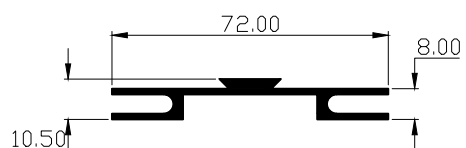
SECTION. NO	WT.Kgs/Mtr
26014	1.397



SECTION. NO	WT.Kgs/Mtr
26015	2.702

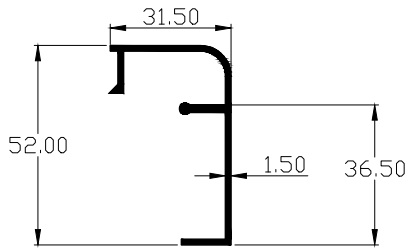


SECTION. NO	WT.Kgs/Mtr
26016	0.614

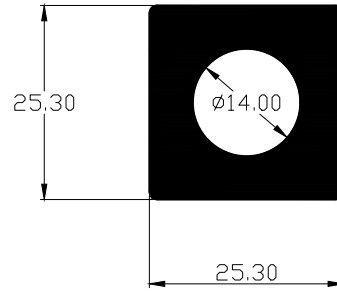


PARAGON ALUMINIUM L.L.P

SECTION. NO	WT.Kgs/Mtr
26017	0.486

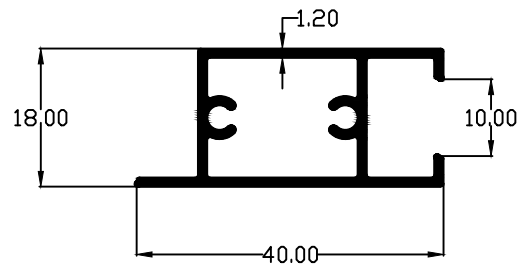


SECTION. NO	WT.Kgs/Mtr
26018	1.310



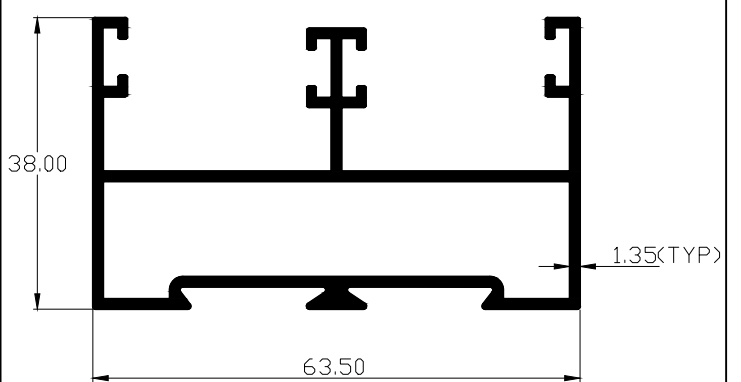
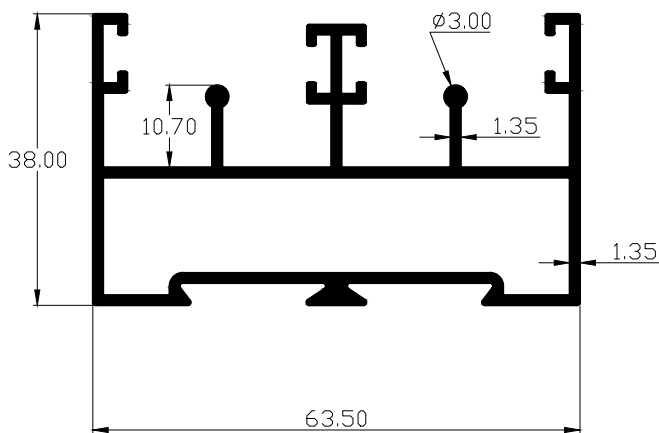
SECTION. NO	WT.Kgs/Mtr

SECTION. NO	WT.Kgs/Mtr
26020	0.405



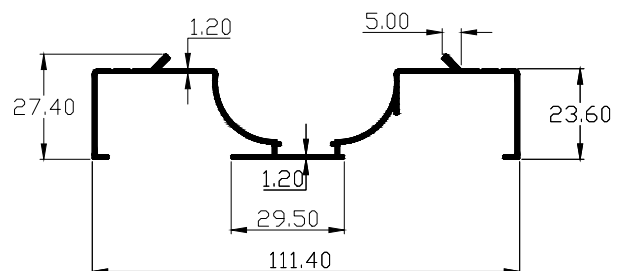
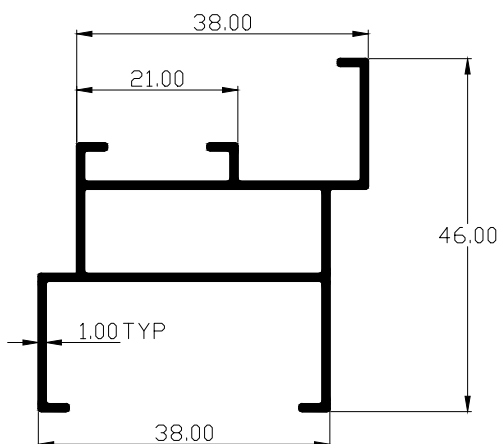
SECTION. NO	WT.Kgs/Mtr
26021	1.088

SECTION. NO	WT.Kgs/Mtr
26022	1.00



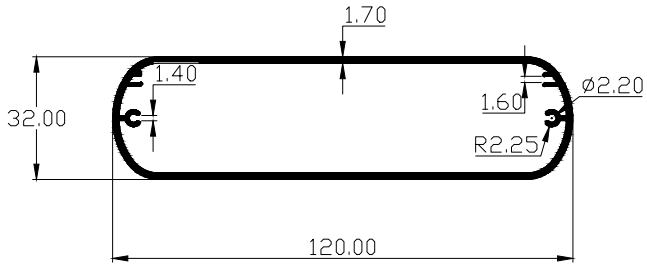
SECTION. NO	WT.Kgs/Mtr
26023	0.466

SECTION. NO	WT.Kgs/Mtr
26024	0.724

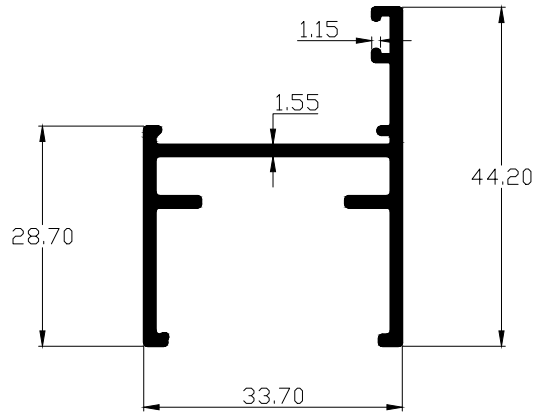


PARAGON ALUMINIUM L.L.P

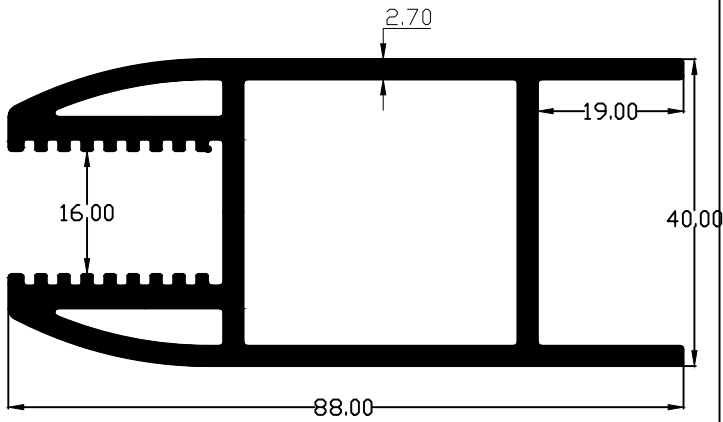
SECTION. NO	WT.Kgs/Mtr
26025	1.355



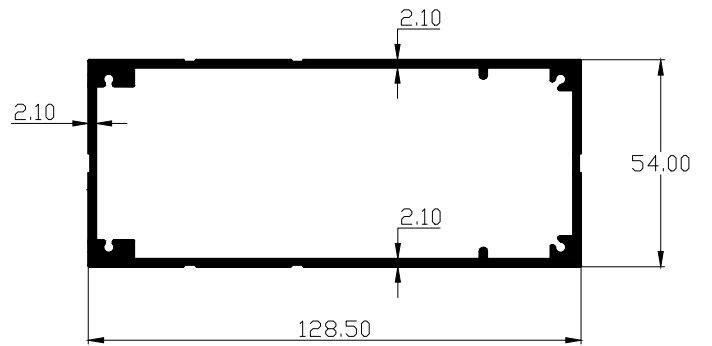
SECTION. NO	WT.Kgs/Mtr
26026	0.519
P-16	



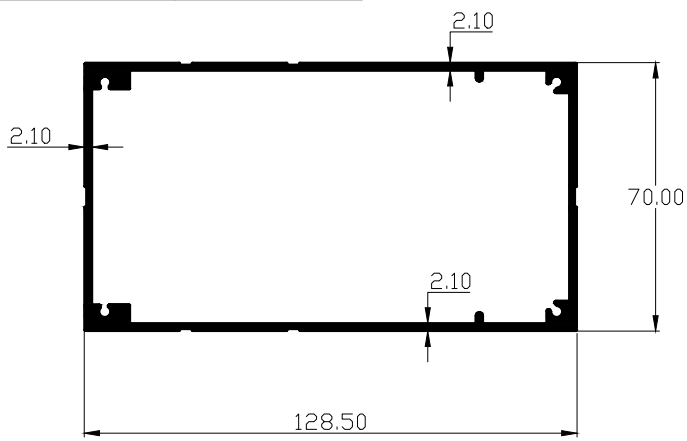
SECTION. NO	WT.Kgs/Mtr
26027	2.312
P-16	



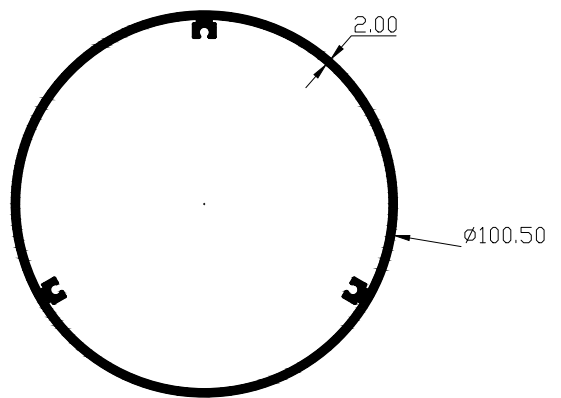
SECTION. NO	WT.Kgs/Mtr
26028	2.369



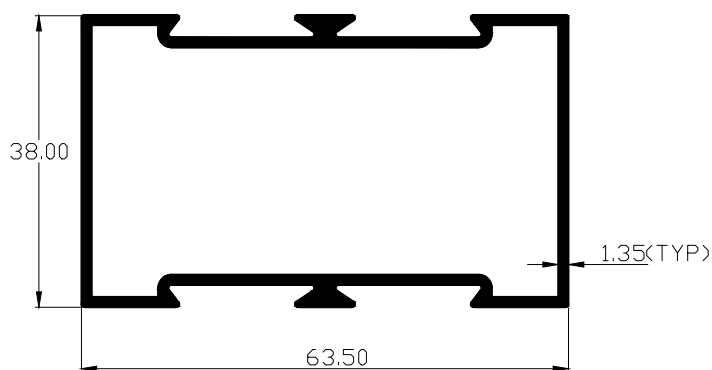
SECTION. NO	WT.Kgs/Mtr
26029	2.550



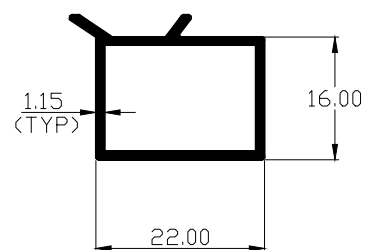
SECTION. NO	WT.Kgs/Mtr
26030	1.841



SECTION. NO	WT.Kgs/Mtr
26031	0.874

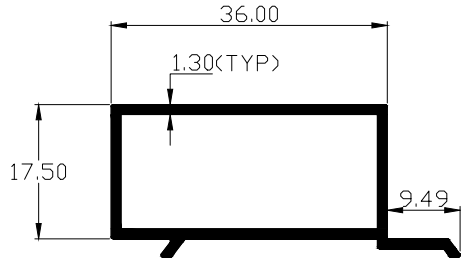


SECTION. NO	WT.Kgs/Mtr
26032	0.250

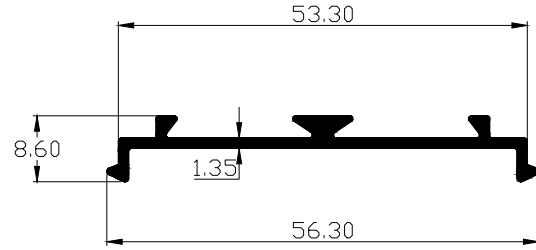


PARAGON ALUMINIUM L.L.P

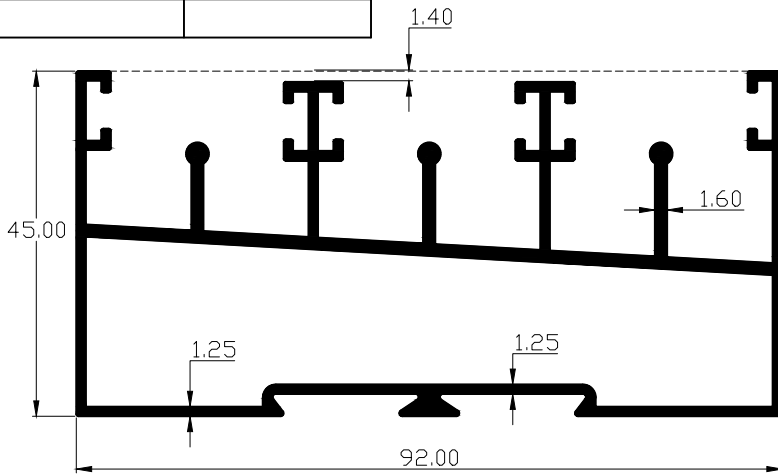
SECTION. NO	WT.Kgs/Mtr
26033	0.406



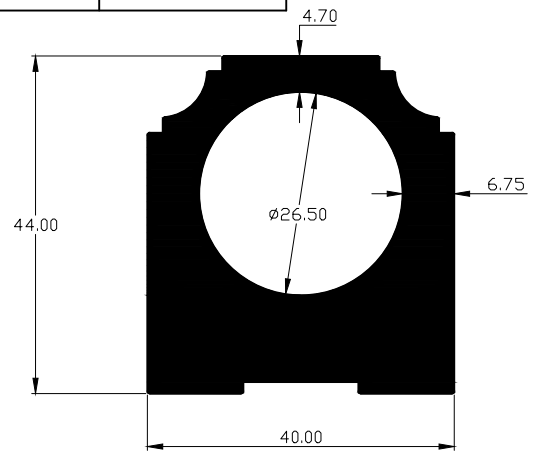
SECTION. NO	WT.Kgs/Mtr
26034	0.308



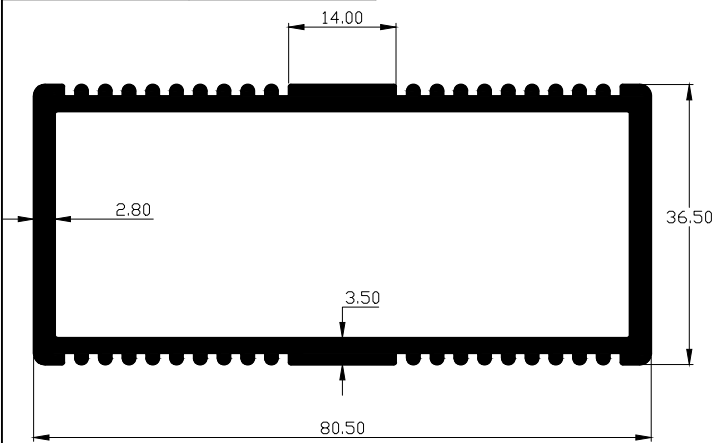
SECTION. NO	WT.Kgs/Mtr
26035	1.589



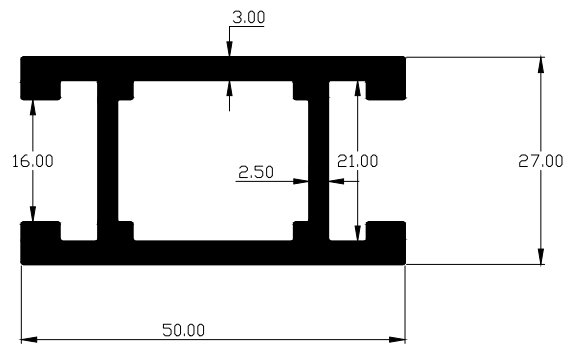
SECTION. NO	WT.Kgs/Mtr
26036	2.864



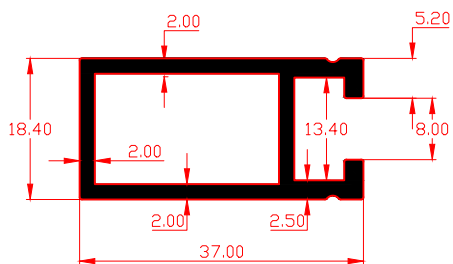
SECTION. NO	WT.Kgs/Mtr
26037	1.705



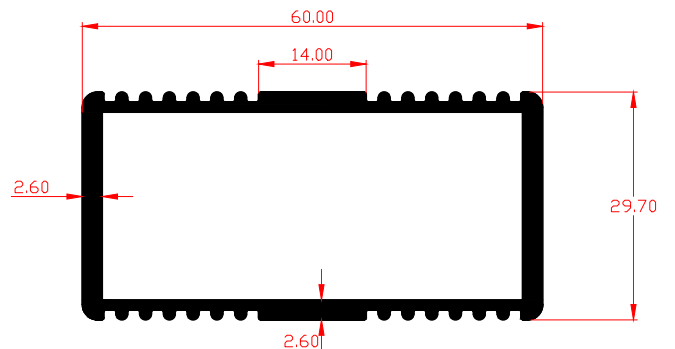
SECTION. NO	WT.Kgs/Mtr
26038	1.282



SECTION. NO	WT.Kgs/Mtr
26039	0.610

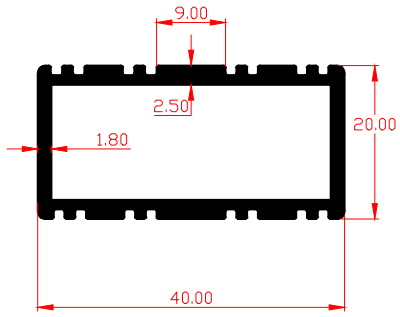


SECTION. NO	WT.Kgs/Mtr
26040	1.00

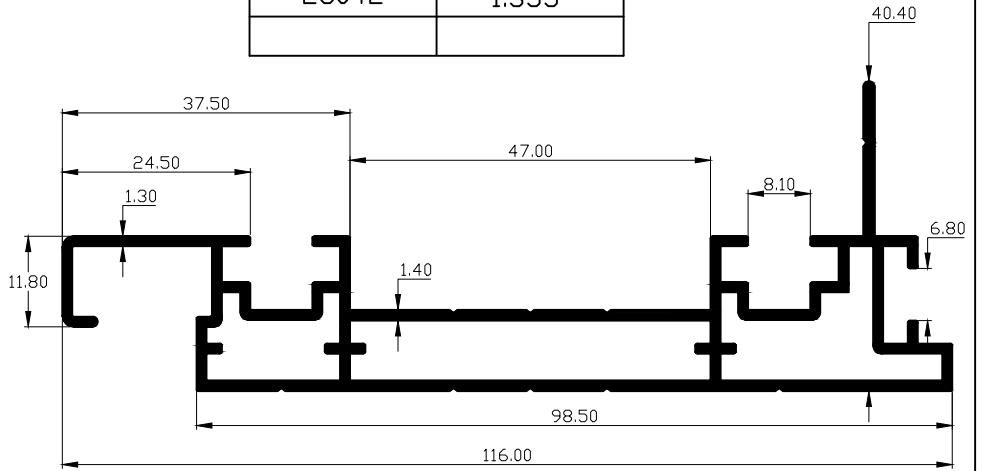


PARAGON ALUMINIUM L.L.P

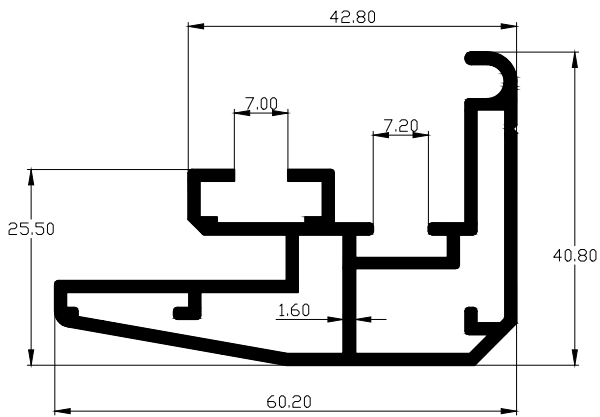
SECTION. NO	WT.Kgs/Mtr
26041	0.606



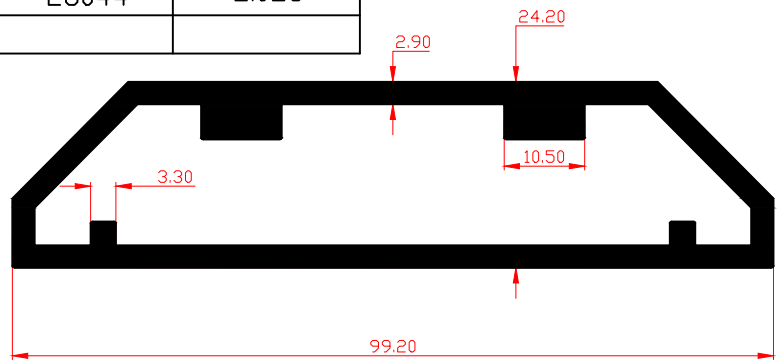
SECTION. NO	WT.Kgs/Mtr
26042	1.355



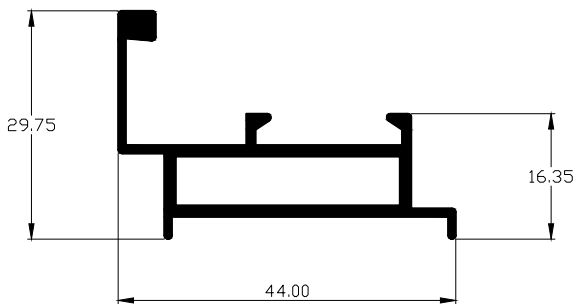
SECTION. NO	WT.Kgs/Mtr
26043	1.052



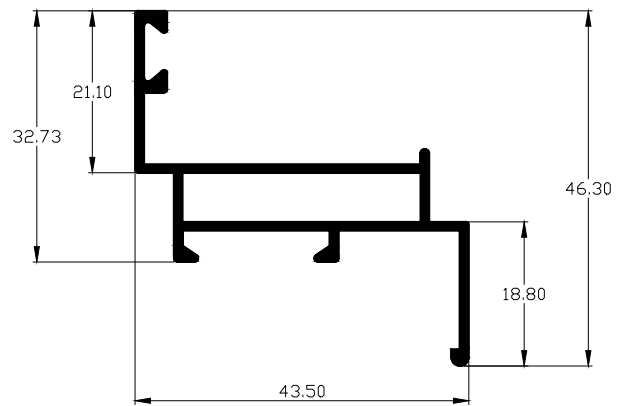
SECTION. NO	WT.Kgs/Mtr
26044	2.026



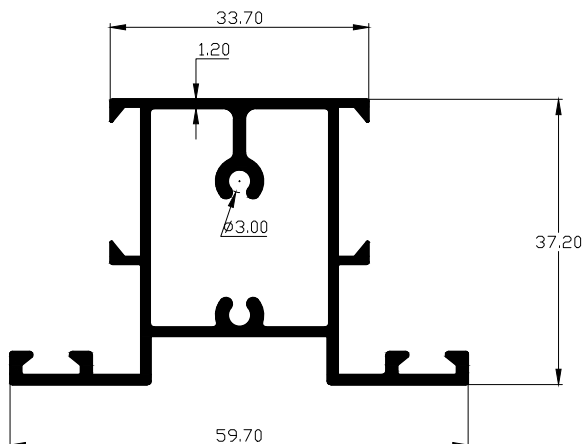
SECTION. NO	WT.Kgs/Mtr
26045	0.490



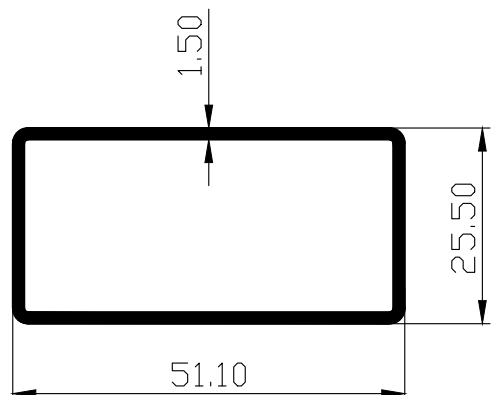
SECTION. NO	WT.Kgs/Mtr
26046	0.486



SECTION. NO	WT.Kgs/Mtr
26047	0.762
P-16	

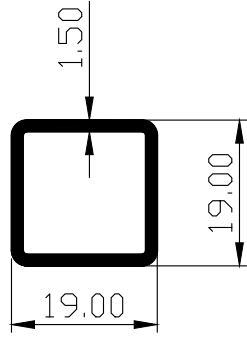


SECTION. NO	WT.Kgs/Mtr
26048	0.519

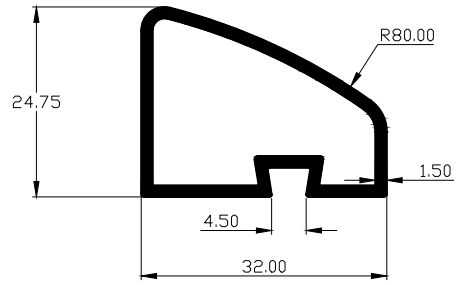


PARAGON ALUMINIUM L.L.P

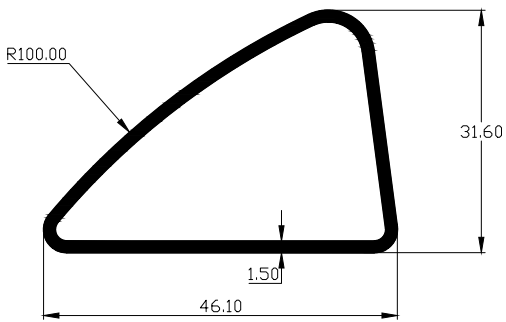
SECTION. NO	WT.Kgs/Mtr
26049	0.274



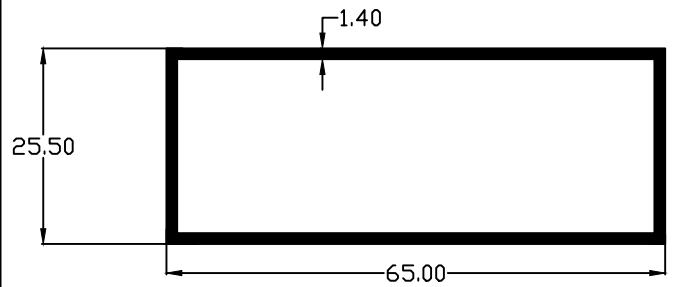
SECTION. NO	WT.Kgs/Mtr
26050	0.505



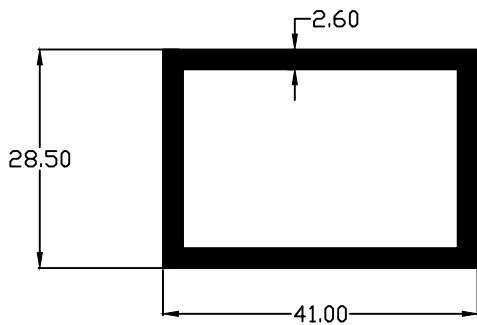
SECTION. NO	WT.Kgs/Mtr
26051	0.505



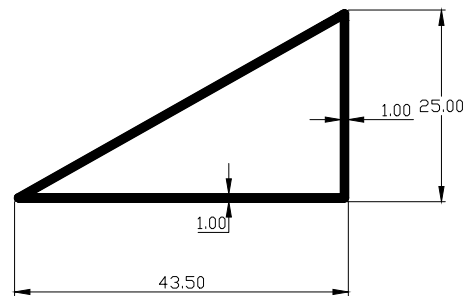
SECTION. NO	WT.Kgs/Mtr
26052	0.662



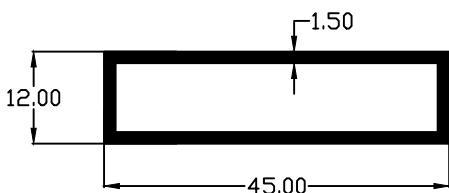
SECTION. NO	WT.Kgs/Mtr
26053	0.902



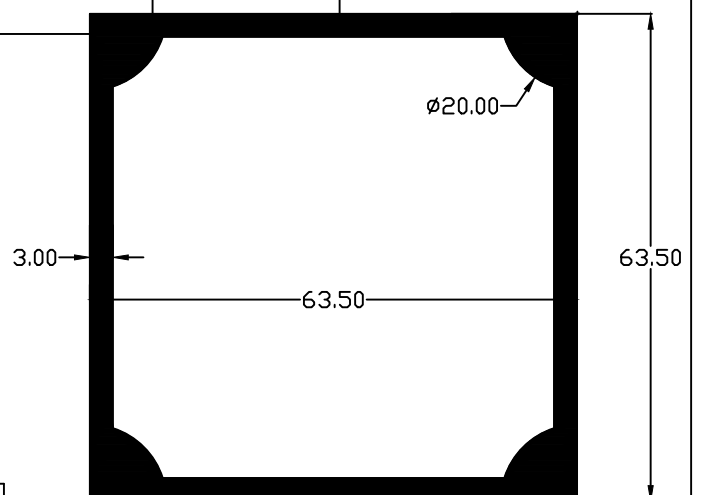
SECTION. NO	WT.Kgs/Mtr
26054	0.309



SECTION. NO	WT.Kgs/Mtr
26055	0.437

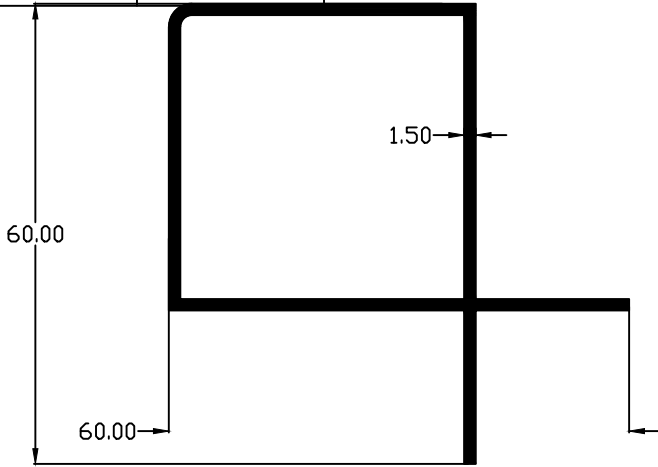


SECTION. NO	WT.Kgs/Mtr
26056	2.261

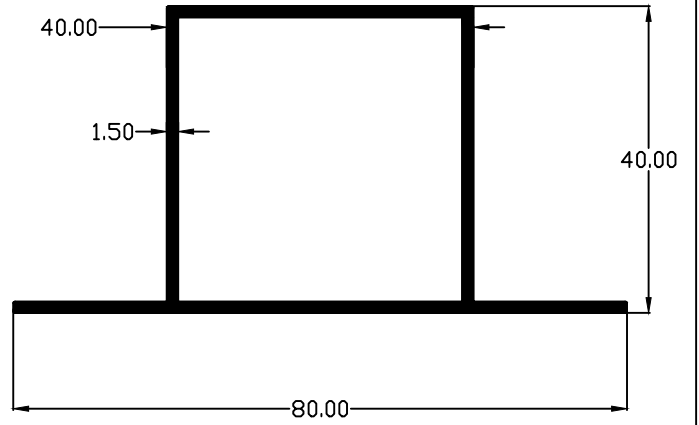


PARAGON ALUMINIUM L.L.P

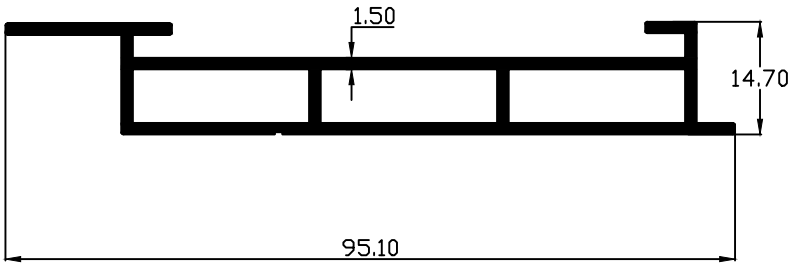
SECTION. NO	WT.Kgs/Mtr
26057	0.781



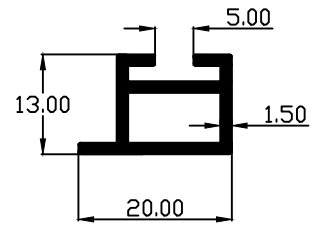
SECTION. NO	WT.Kgs/Mtr
26058	0.785



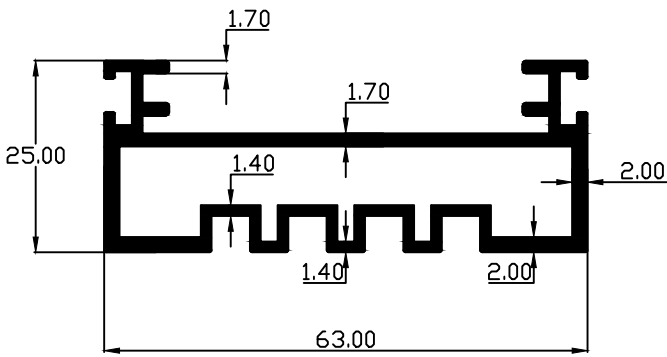
SECTION. NO	WT.Kgs/Mtr
26059	0.880



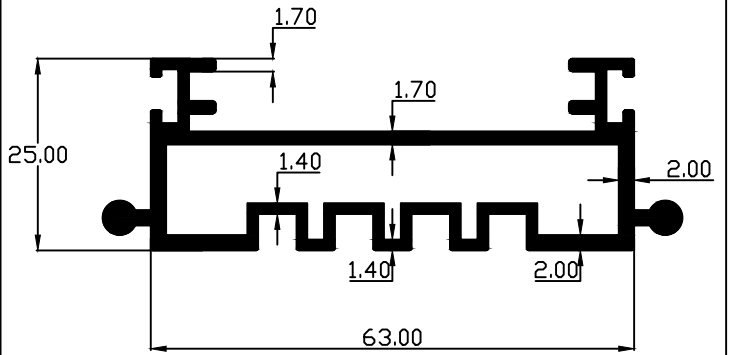
SECTION. NO	WT.Kgs/Mtr
26060	0.250



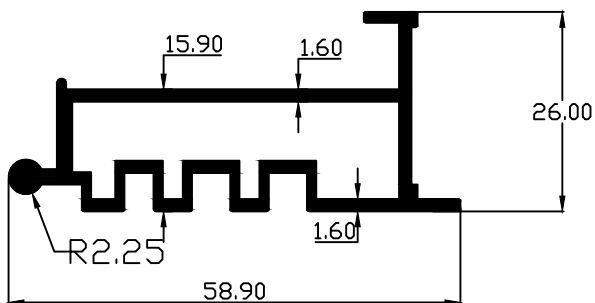
SECTION. NO	WT.Kgs/Mtr
26061	1.042



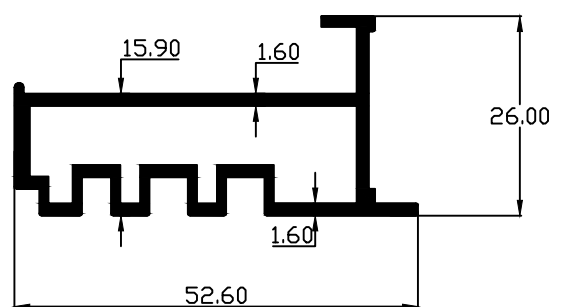
SECTION. NO	WT.Kgs/Mtr
26062	1.148



SECTION. NO	WT.Kgs/Mtr
26063	0.765

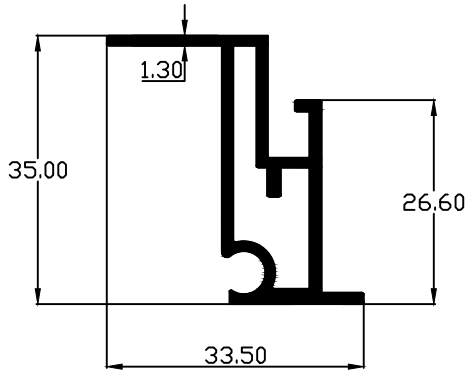


SECTION. NO	WT.Kgs/Mtr
26064	0.712

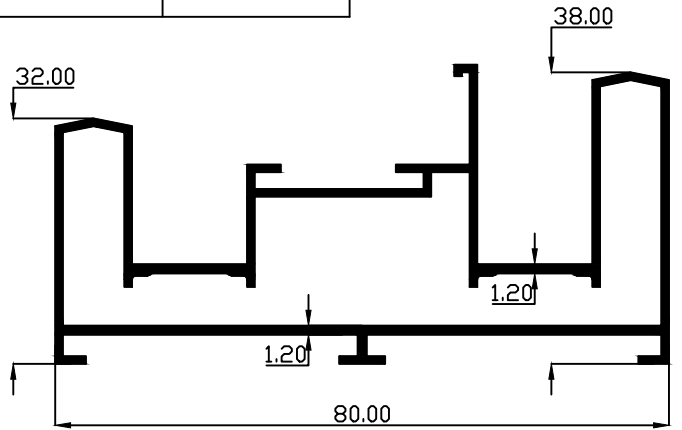


PARAGON ALUMINIUM L.L.P

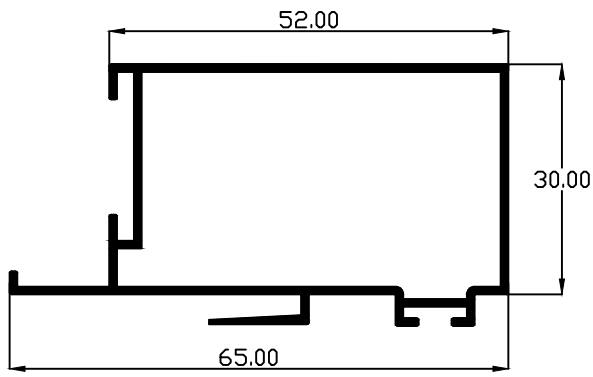
SECTION. NO	WT.Kgs/Mtr
26065	0.514



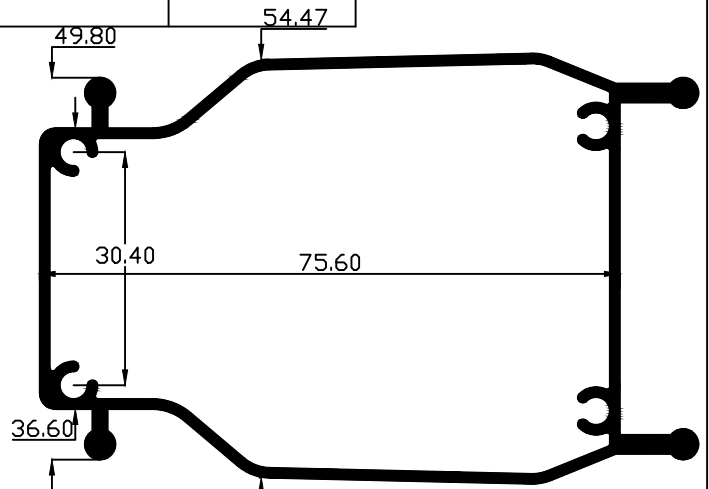
SECTION. NO	WT.Kgs/Mtr
26066	0.988



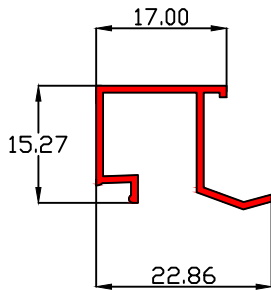
SECTION. NO	WT.Kgs/Mtr
26067	0.600



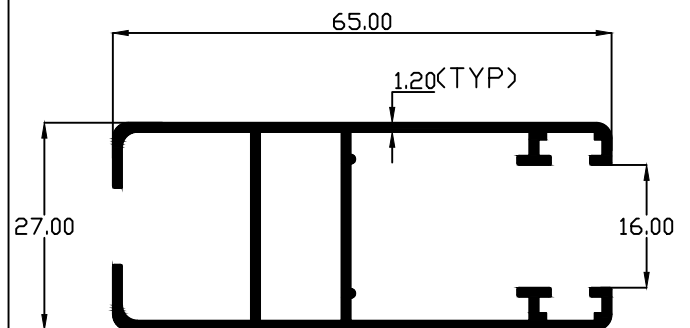
SECTION. NO	WT.Kgs/Mtr
26068	1.250



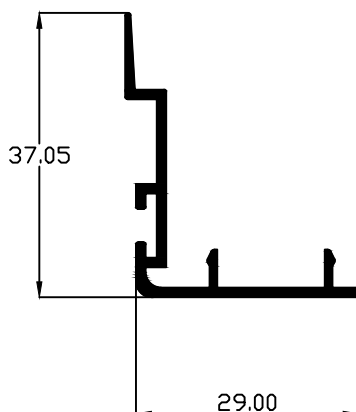
SECTION. NO	WT.Kgs/Mtr
26069	0.144



SECTION. NO	WT.Kgs/Mtr
26070	0.723



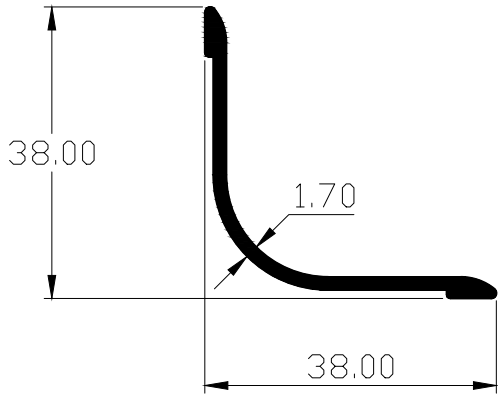
SECTION. NO	WT.Kgs/Mtr
26071	0.282



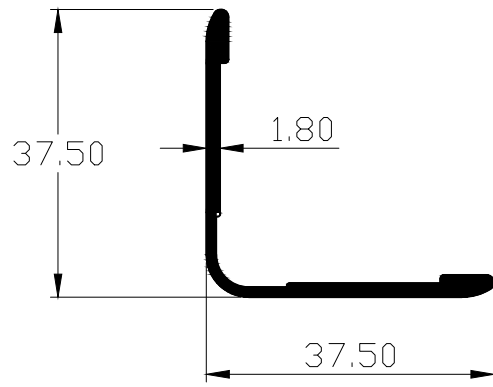
SECTION. NO	WT.Kgs/Mtr

PARAGON ALUMINIUM L.L.P

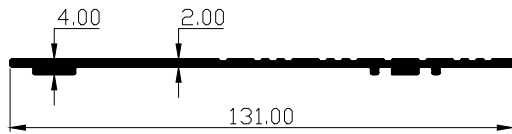
SECTION. NO	WT.Kgs/Mtr
25001	0.326



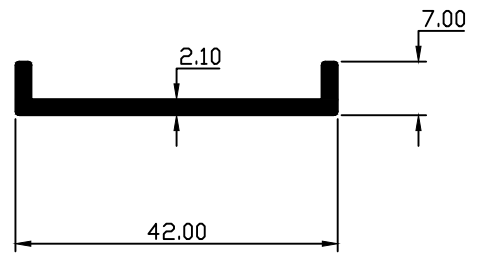
SECTION. NO	WT.Kgs/Mtr
25002	0.354



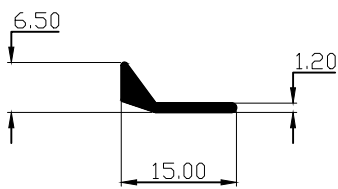
SECTION. NO	WT.Kgs/Mtr
25003	0.791



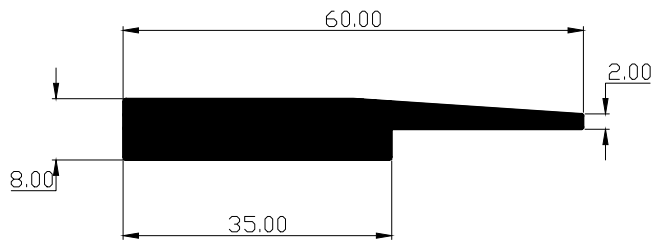
SECTION. NO	WT.Kgs/Mtr
25004	0.292



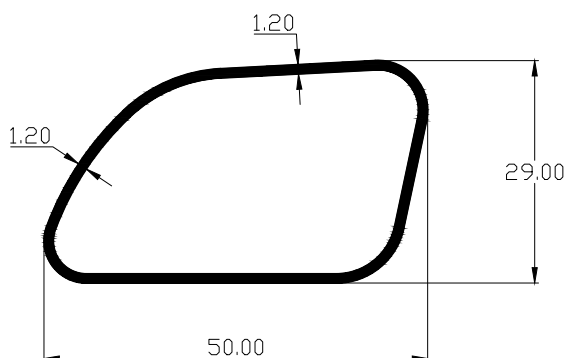
SECTION. NO	WT.Kgs/Mtr
25005	0.075



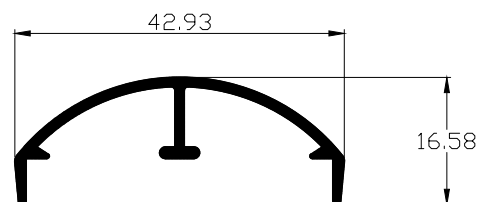
SECTION. NO	WT.Kgs/Mtr
25006	0.944
P-16	



SECTION. NO	WT.Kgs/Mtr
25007	0.422

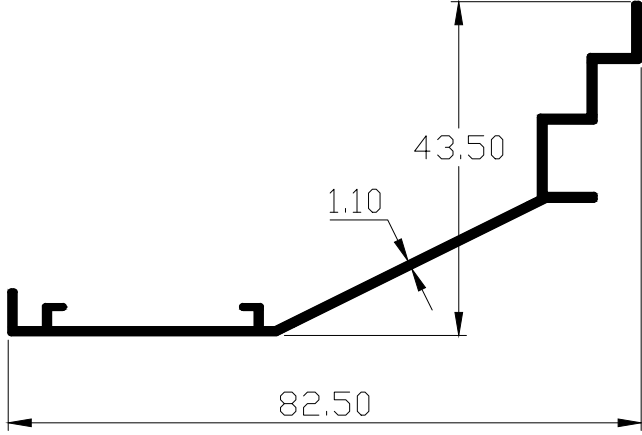


SECTION. NO	WT.Kgs/Mtr
25008	0.253

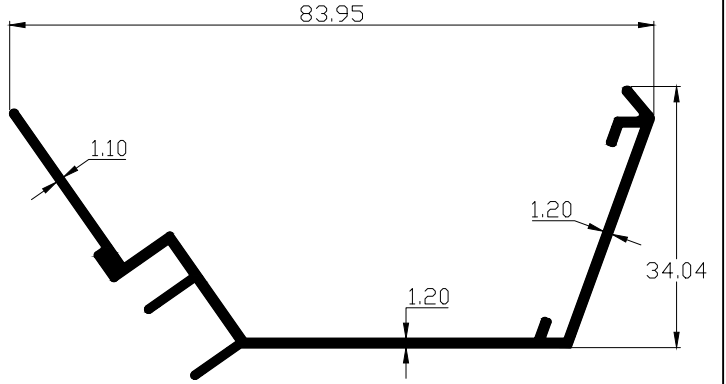


PARAGON ALUMINIUM L.L.P

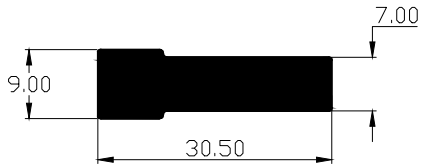
SECTION. NO	WT.Kgs/Mtr
25009	0.402



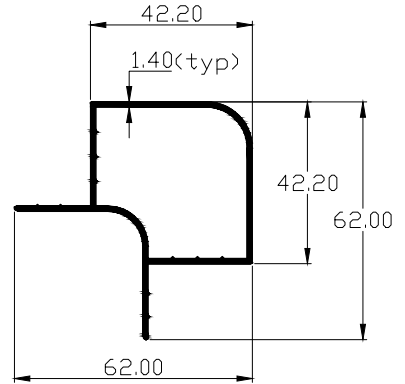
SECTION. NO	WT.Kgs/Mtr
25010	0.495



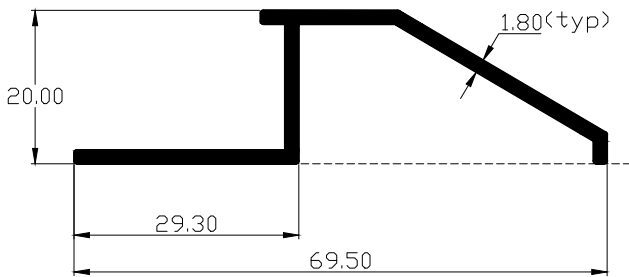
SECTION. NO	WT.Kgs/Mtr
25011	0.621



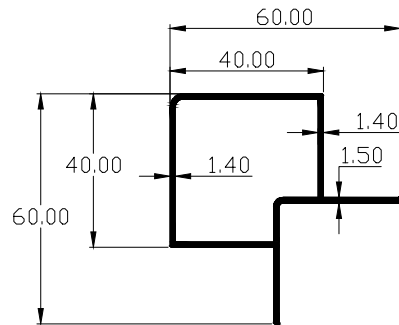
SECTION. NO	WT.Kgs/Mtr
25012	0.736



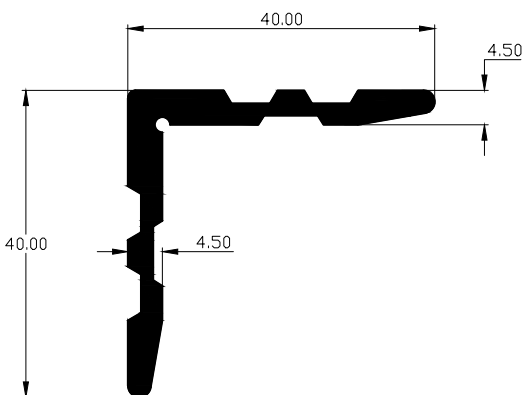
SECTION. NO	WT.Kgs/Mtr
25013	0.474



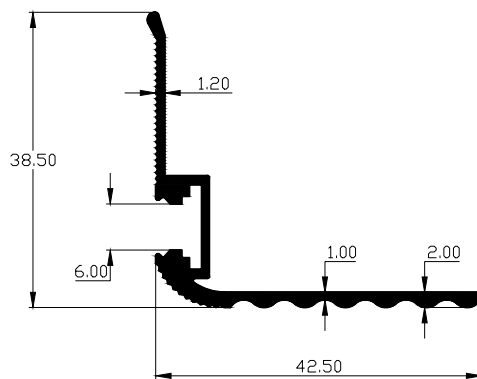
SECTION. NO	WT.Kgs/Mtr
25014	0.743



SECTION. NO	WT.Kgs/Mtr
25015	0.698
P-16	

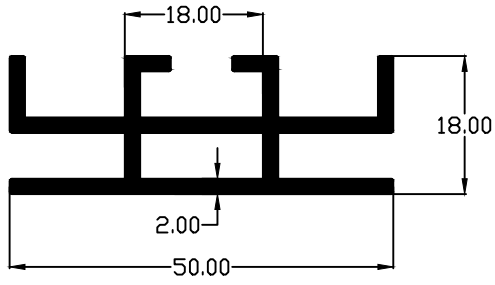


SECTION. NO	WT.Kgs/Mtr
25016	0.359

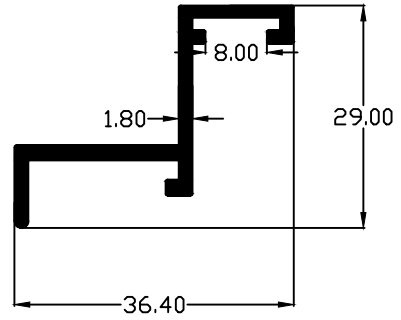


PARAGON ALUMINIUM L.L.P

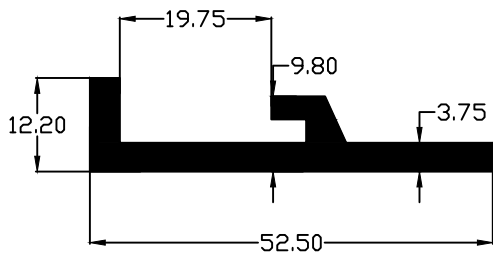
SECTION. NO	WT.Kgs/Mtr
25017	0.819



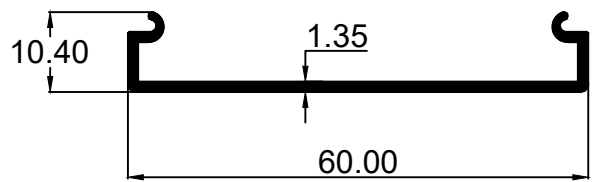
SECTION. NO	WT.Kgs/Mtr
25018	0.377



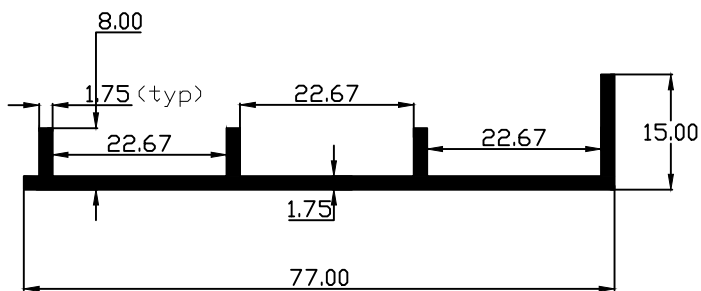
SECTION. NO	WT.Kgs/Mtr
25019	0.719



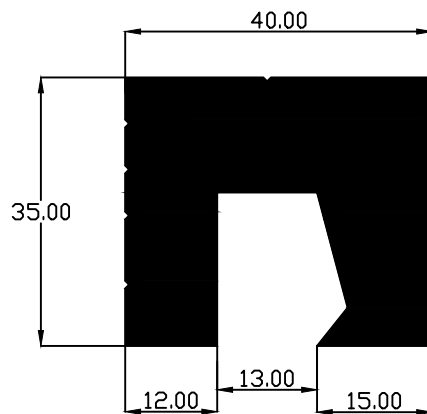
SECTION. NO	WT.Kgs/Mtr
25020	0.300



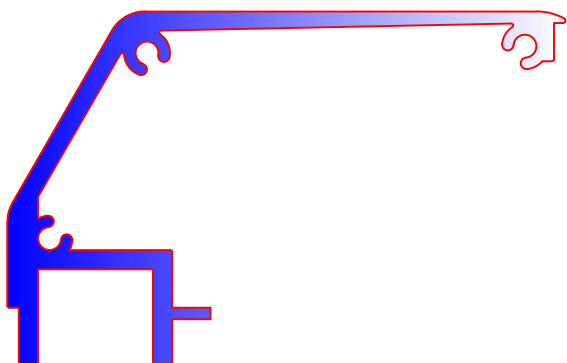
SECTION. NO	WT.Kgs/Mtr
25021	0.515



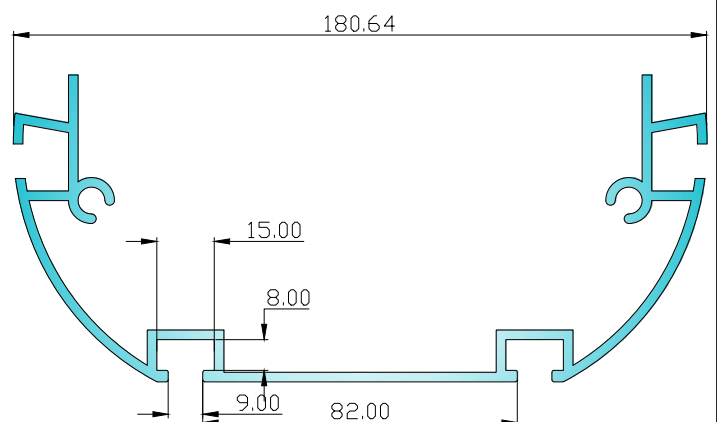
SECTION. NO	WT.Kgs/Mtr
25022	3.00
P-16	



SECTION. NO	WT.Kgs/Mtr
25023	4.142

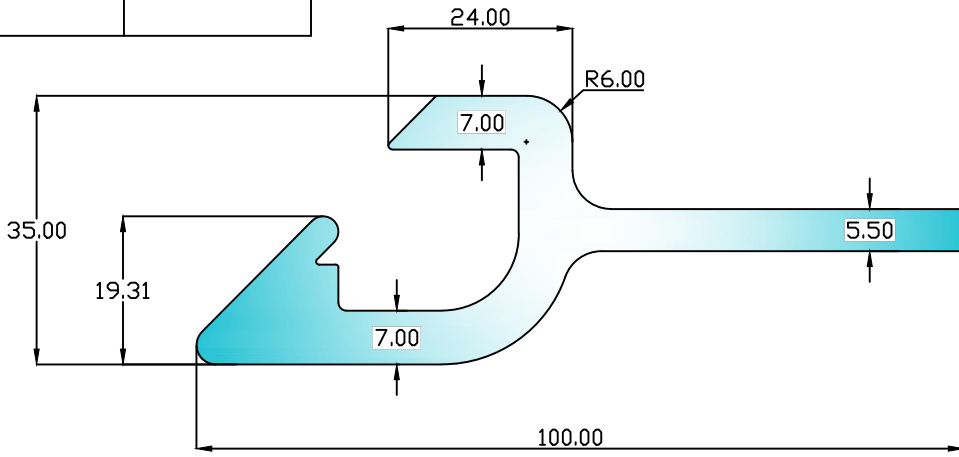


SECTION. NO	WT.Kgs/Mtr
25024	3.341



PARAGON ALUMINIUM L.L.P

SECTION. NO	WT.Kgs/Mtr
25025	2.631



SECTION. NO	WT.Kgs/Mtr

SECTION. NO	WT.Kgs/Mtr

SECTION. NO	WT.Kgs/Mtr

SECTION. NO	WT.Kgs/Mtr

SECTION. NO	WT.Kgs/Mtr

SECTION. NO	WT.Kgs/Mtr

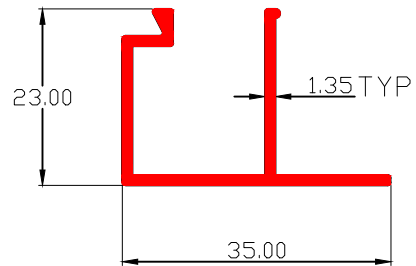
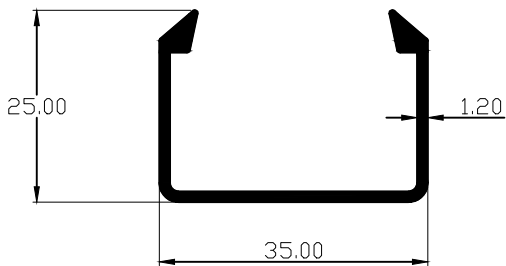
PARAGON ALUMINIUM L.L.P

SECTION. NO	WT.Kgs/Mtr

SECTION. NO	WT.Kgs/Mtr

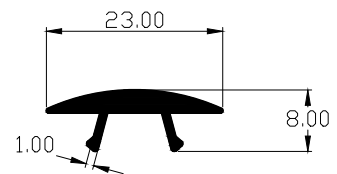
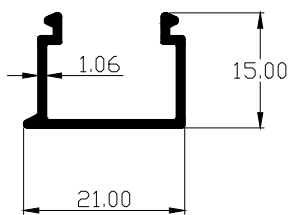
SECTION. NO	WT.Kgs/Mtr
24003	0.314

SECTION. NO	WT.Kgs/Mtr
24004	0.311
P-16	



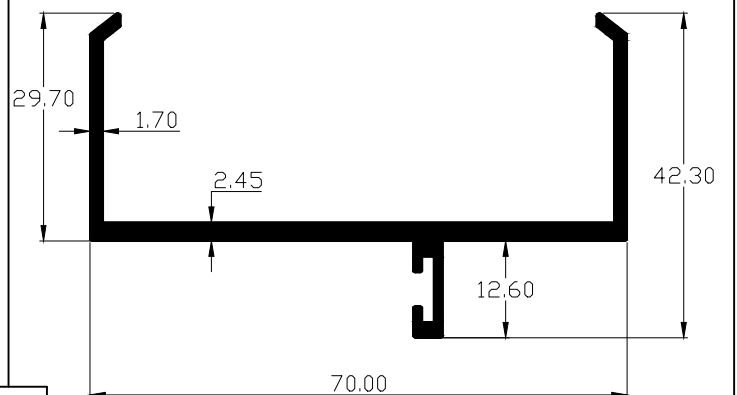
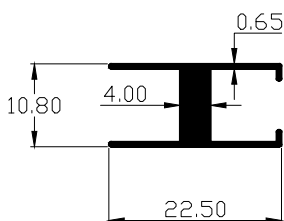
SECTION. NO	WT.Kgs/Mtr
24005	0.158

SECTION. NO	WT.Kgs/Mtr
24006	0.165
P-16	



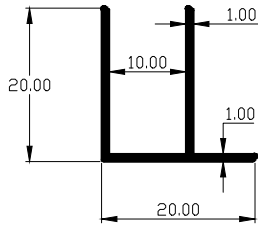
SECTION. NO	WT.Kgs/Mtr
24007	0.186

SECTION. NO	WT.Kgs/Mtr
24009	0.804
P-16	

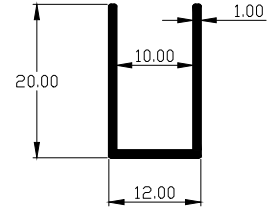


PARAGON ALUMINIUM L.L.P

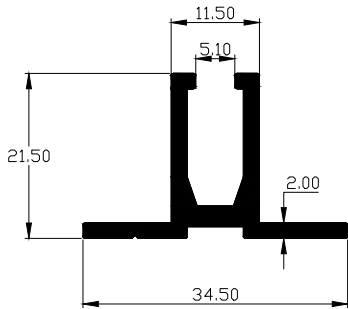
SECTION. NO	WT.Kgs/Mtr
24010	0.156



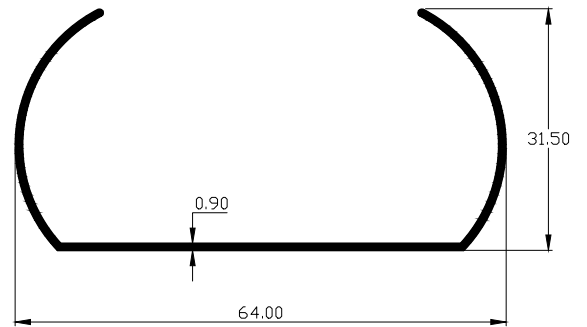
SECTION. NO	WT.Kgs/Mtr
24011	0.134



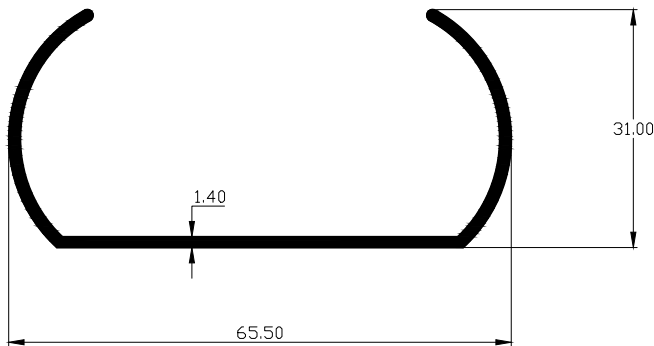
SECTION. NO	WT.Kgs/Mtr
24012	0.446



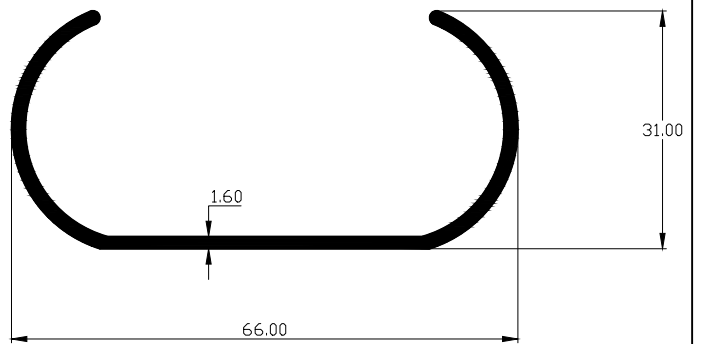
SECTION. NO	WT.Kgs/Mtr
24013	0.303
P-16	



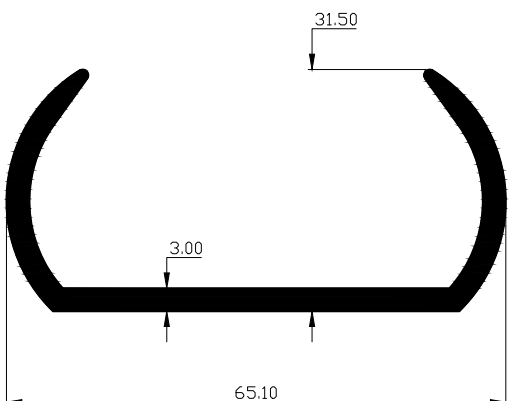
SECTION. NO	WT.Kgs/Mtr
24014	0.483
P-16	



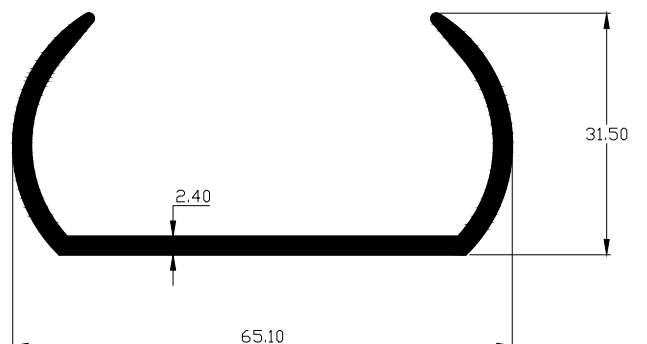
SECTION. NO	WT.Kgs/Mtr
24015	0.560
P-16	



SECTION. NO	WT.Kgs/Mtr
24016	0.942
P-16	

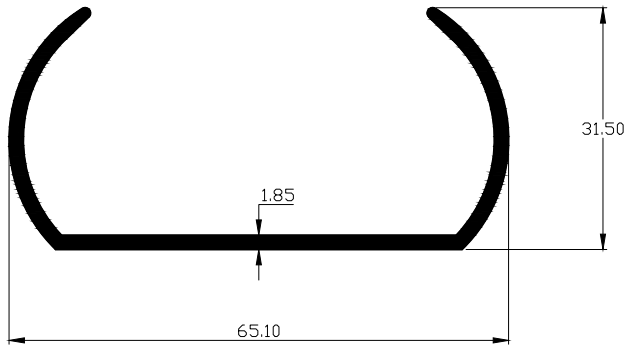


SECTION. NO	WT.Kgs/Mtr
24017	0.768
P-16	

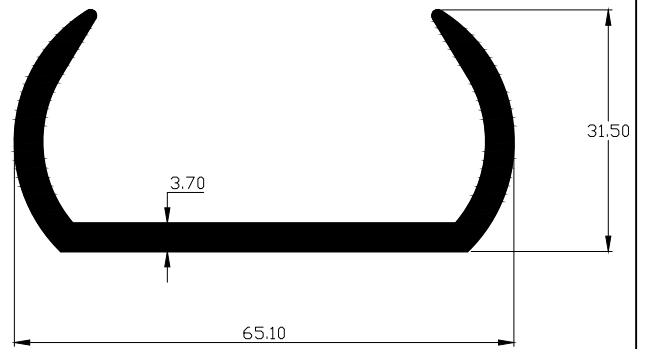


PARAGON ALUMINIUM L.L.P

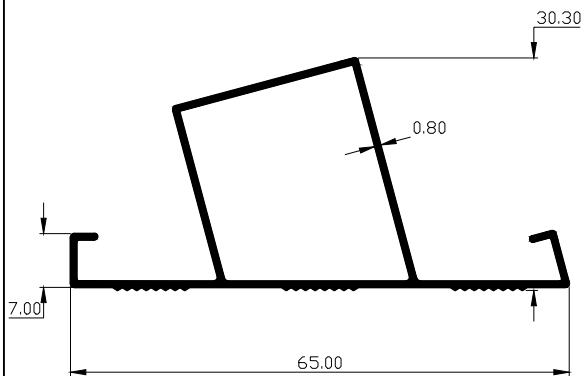
SECTION. NO	WT.Kgs/Mtr
24018	0.604
P-16	



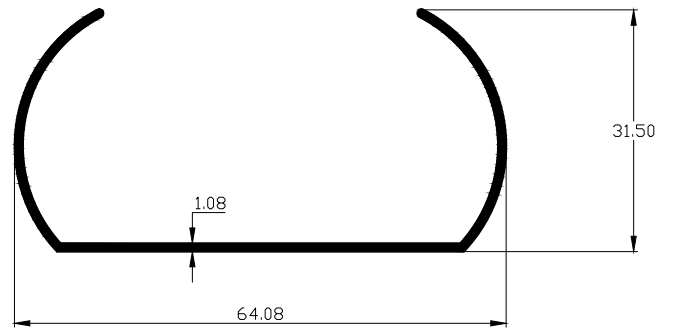
SECTION. NO	WT.Kgs/Mtr
24019	1.127
P-16	



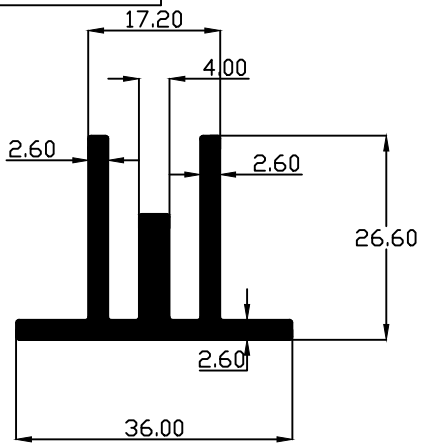
SECTION. NO	WT.Kgs/Mtr
24020	0.362
P-16	



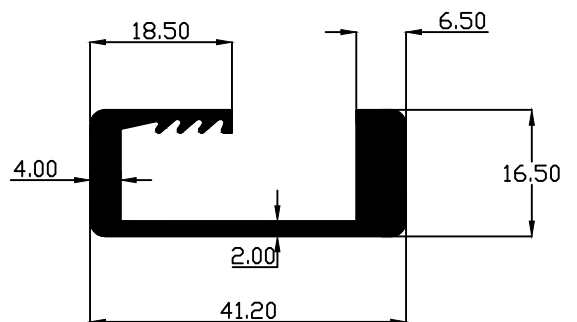
SECTION. NO	WT.Kgs/Mtr
24021	0.364
P-16	



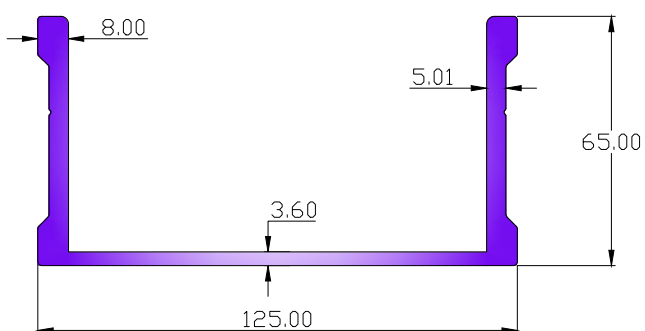
SECTION. NO	WT.Kgs/Mtr
24022	0.738



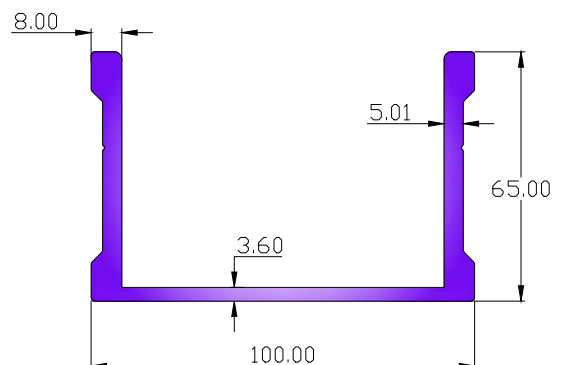
SECTION. NO	WT.Kgs/Mtr
24023	0.750



SECTION. NO	WT.Kgs/Mtr
24024	3.180

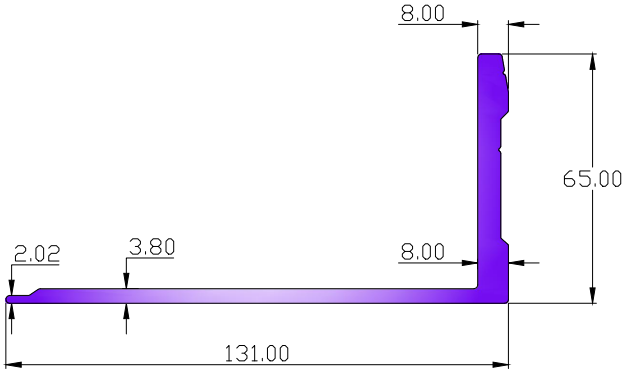


SECTION. NO	WT.Kgs/Mtr
24025	2.937

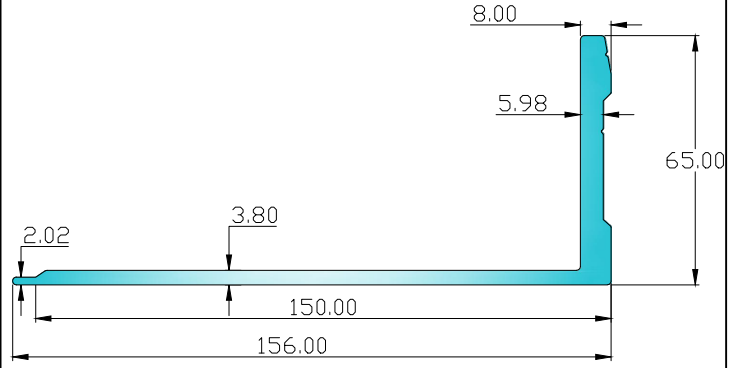


PARAGON ALUMINIUM L.L.P

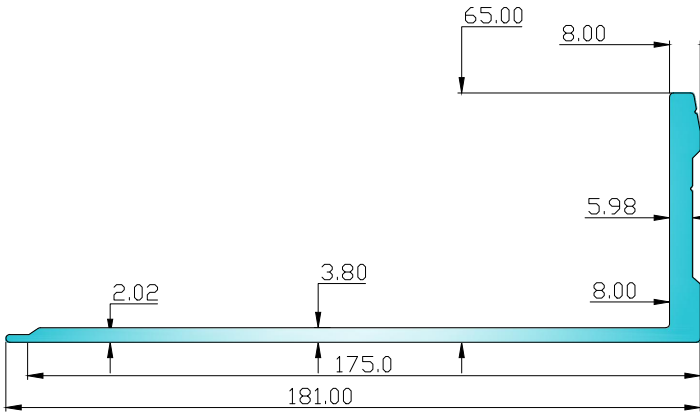
SECTION. NO	WT.Kgs/Mtr
24026	2.423



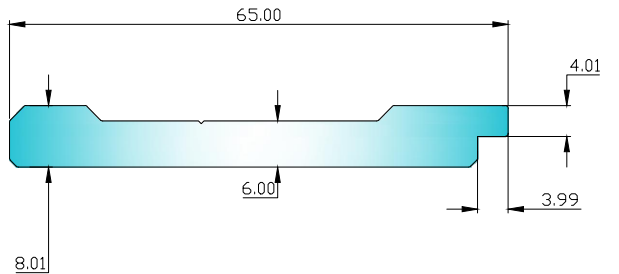
SECTION. NO	WT.Kgs/Mtr
24027	2.679



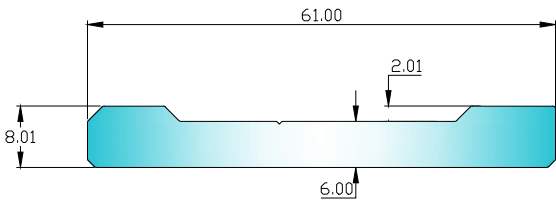
SECTION. NO	WT.Kgs/Mtr
24028	2.935



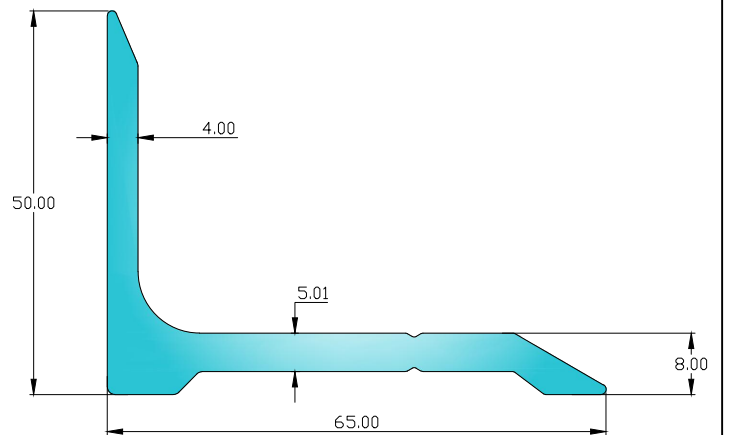
SECTION. NO	WT.Kgs/Mtr
24029	1.147



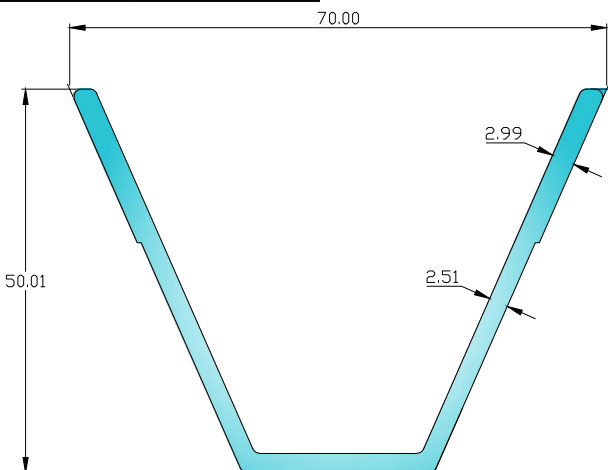
SECTION. NO	WT.Kgs/Mtr
24030	1.103



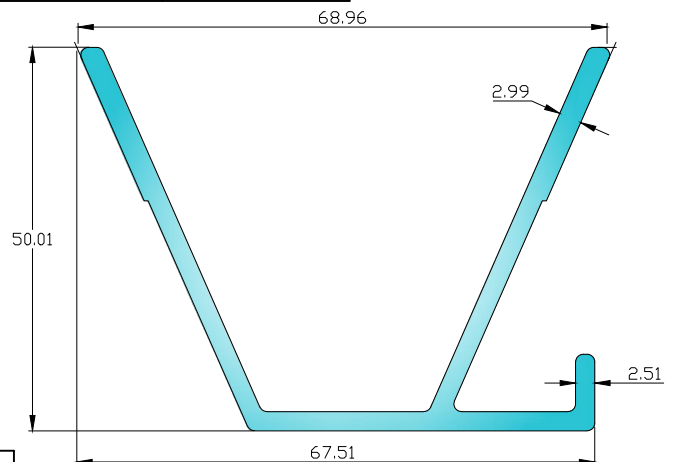
SECTION. NO	WT.Kgs/Mtr
24031	1.390



SECTION. NO	WT.Kgs/Mtr
24032	0.931



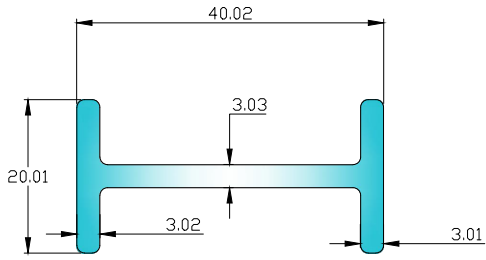
SECTION. NO	WT.Kgs/Mtr
24033	1.114



PARAGON ALUMINIUM L.L.P

SECTION. NO	WT.Kgs/Mtr
24034	0.595

SECTION. NO	WT.Kgs/Mtr



SECTION. NO	WT.Kgs/Mtr

SECTION. NO	WT.Kgs/Mtr

SECTION. NO	WT.Kgs/Mtr

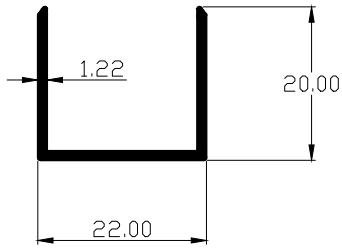
SECTION. NO	WT.Kgs/Mtr

SECTION. NO	WT.Kgs/Mtr

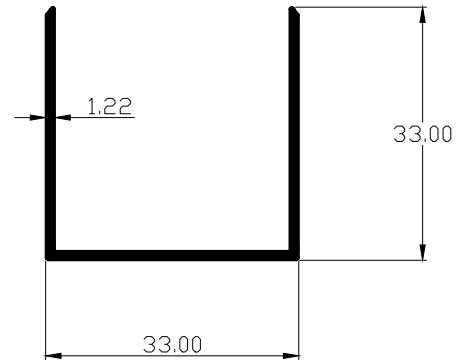
SECTION. NO	WT.Kgs/Mtr

PARAGON ALUMINIUM L.L.P

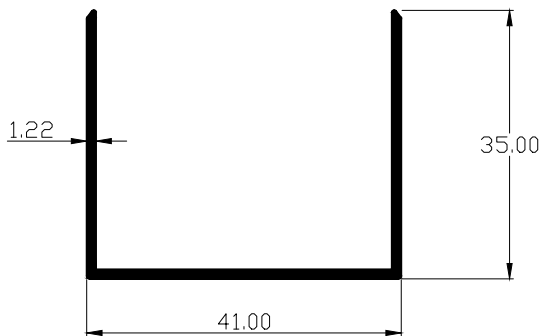
SECTION. NO	WT.Kgs/Mtr
23001	0.193



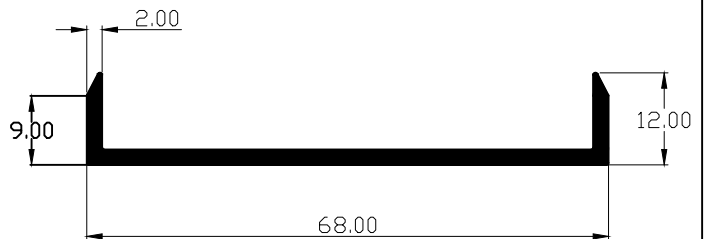
SECTION. NO	WT.Kgs/Mtr
23002	0.315



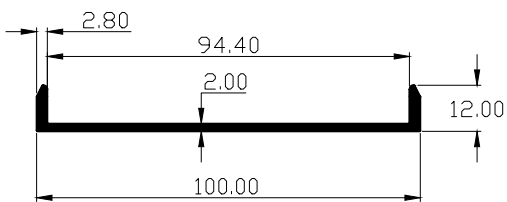
SECTION. NO	WT.Kgs/Mtr
23003	0.355



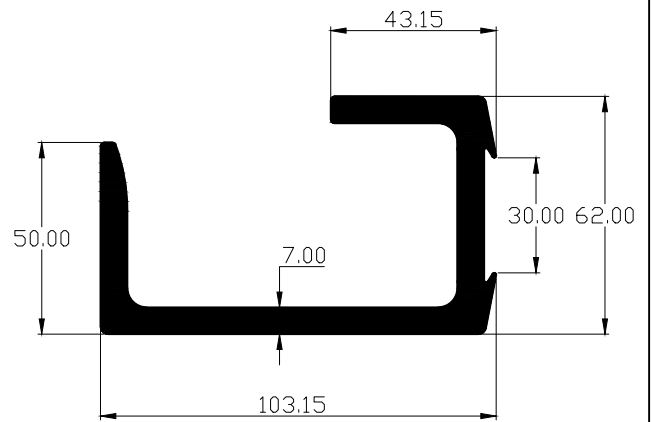
SECTION. NO	WT.Kgs/Mtr
23004	0.464
P-16	



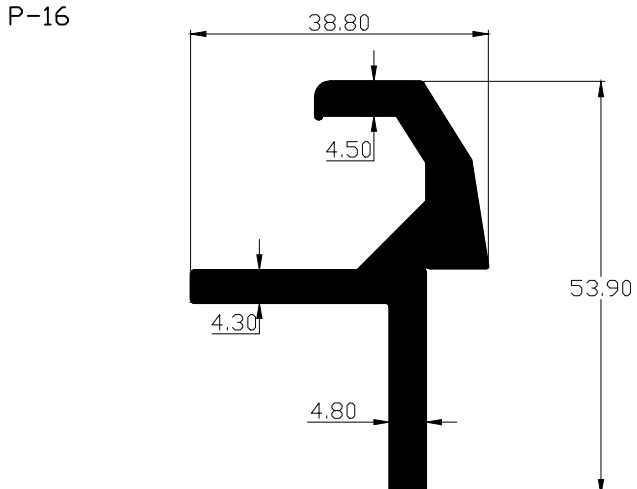
SECTION. NO	WT.Kgs/Mtr
23005	0.677
P-16	



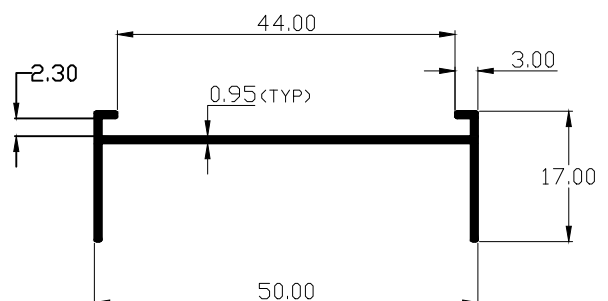
SECTION. NO	WT.Kgs/Mtr
23006	4.475
P-16	



SECTION. NO	WT.Kgs/Mtr
23007	1.339
P-16	

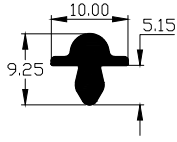


SECTION. NO	WT.Kgs/Mtr
23008	0.220

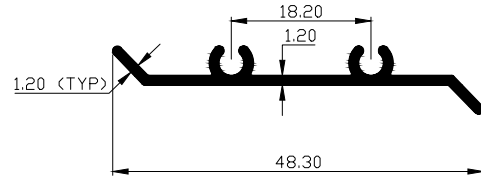


PARAGON ALUMINIUM L.L.P

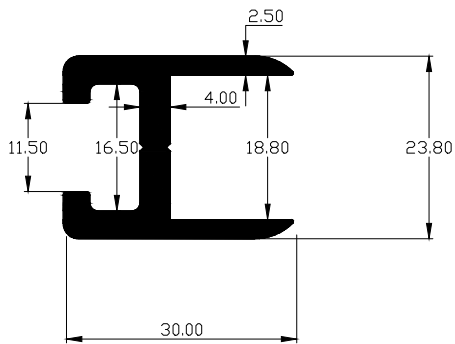
SECTION. NO	WT.Kgs/Mtr
23009	0.102
P-16	



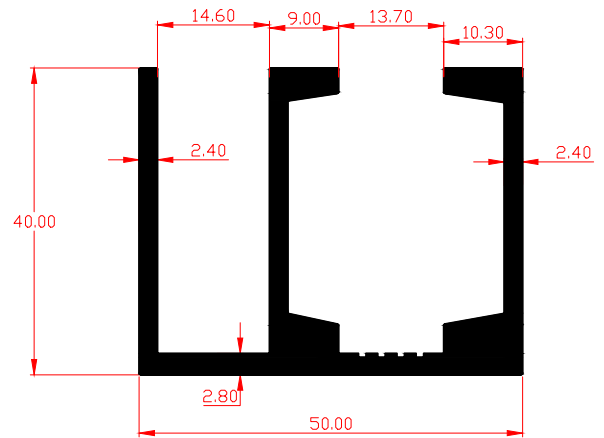
SECTION. NO	WT.Kgs/Mtr
23010	0.220



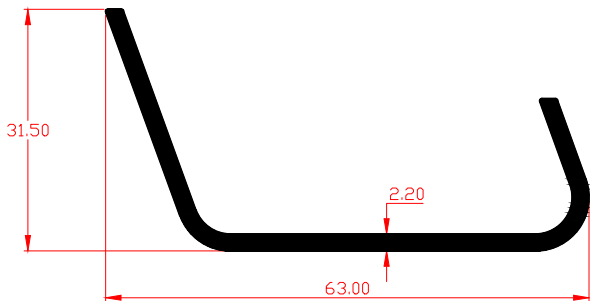
SECTION. NO	WT.Kgs/Mtr
23011	0.695



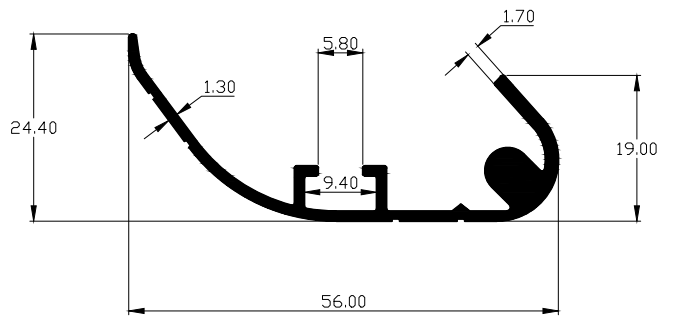
SECTION. NO	WT.Kgs/Mtr
23012	1.422
P-16	



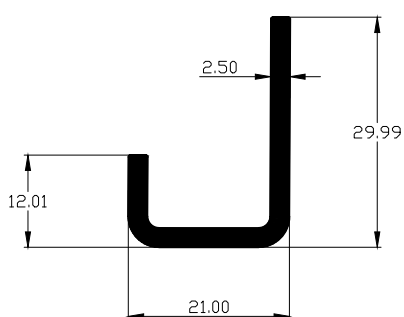
SECTION. NO	WT.Kgs/Mtr
23013	0.582



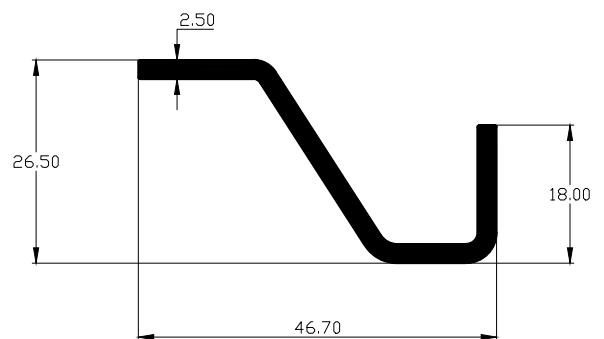
SECTION. NO	WT.Kgs/Mtr
23014	0.471



SECTION. NO	WT.Kgs/Mtr
23015	0.375

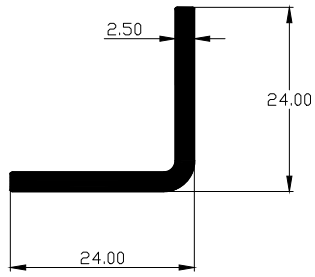


SECTION. NO	WT.Kgs/Mtr
23016	0.496

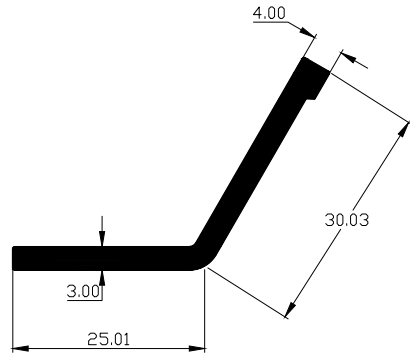


PARAGON ALUMINIUM L.L.P

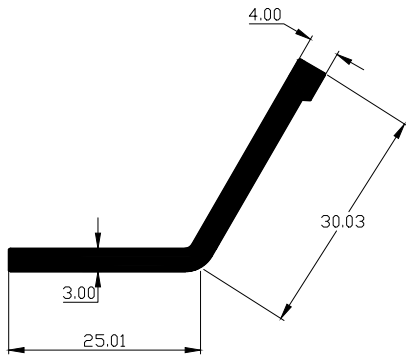
SECTION. NO	WT.Kgs/Mtr
23017	0.299



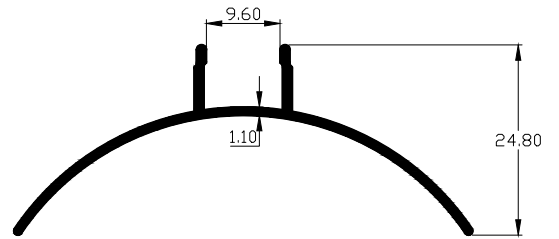
SECTION. NO	WT.Kgs/Mtr
23018	0.445



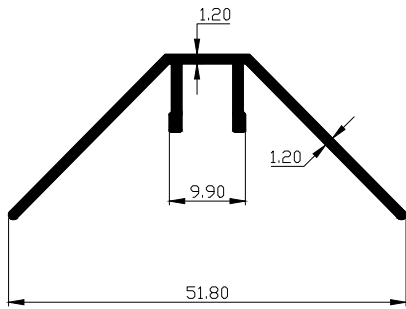
SECTION. NO	WT.Kgs/Mtr
23018	0.445



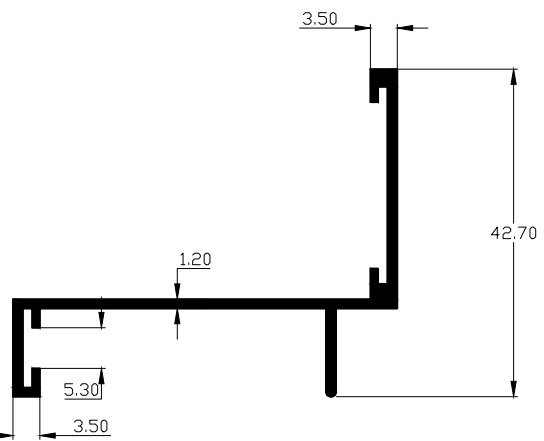
SECTION. NO	WT.Kgs/Mtr
23019	0.266



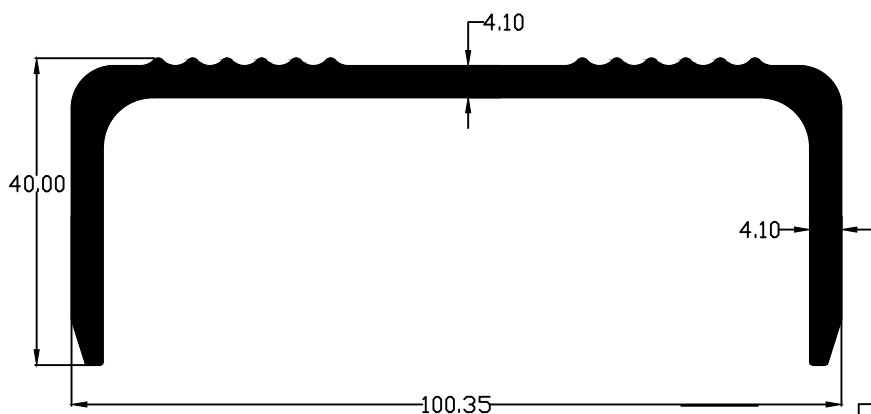
SECTION. NO	WT.Kgs/Mtr
23020	0.288



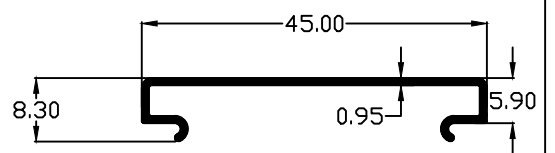
SECTION. NO	WT.Kgs/Mtr
23021	0.404



SECTION. NO	WT.Kgs/Mtr
23022	1.874
P-16	

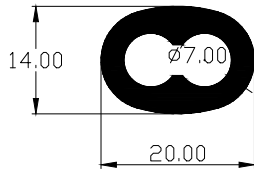


SECTION. NO	WT.Kgs/Mtr
23023	0.178

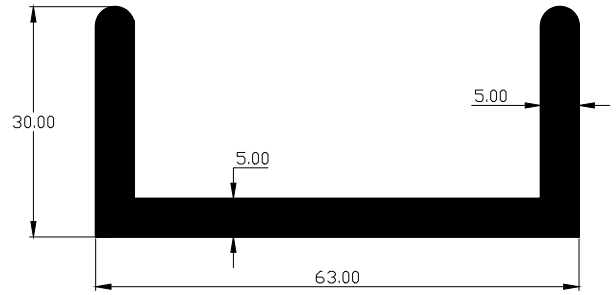


PARAGON ALUMINIUM L.L.P

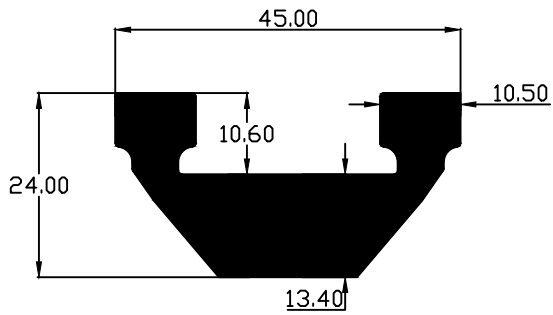
SECTION. NO	WT.Kgs/Mtr
23024	0.407



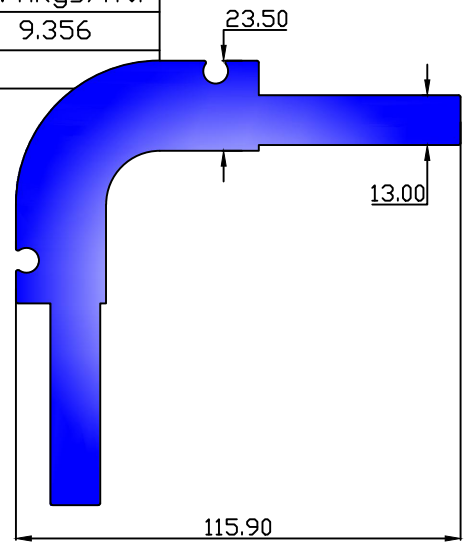
SECTION. NO	WT.Kgs/Mtr
23025	1.511



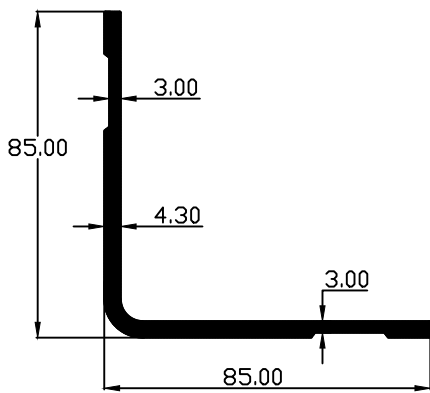
SECTION. NO	WT.Kgs/Mtr
23026	1.580
P-16	



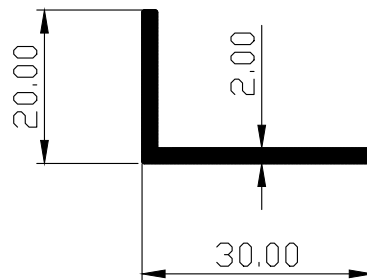
SECTION. NO	WT.Kgs/Mtr
23027	9.356
P-16	



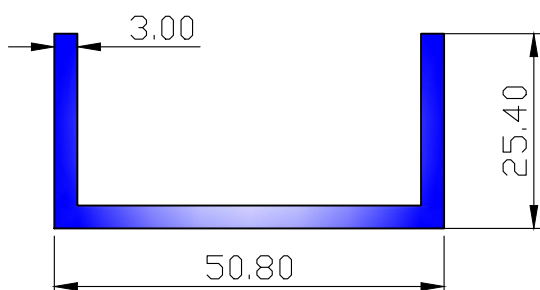
SECTION. NO	WT.Kgs/Mtr
23028	1.800



SECTION. NO	WT.Kgs/Mtr
23029	0.258



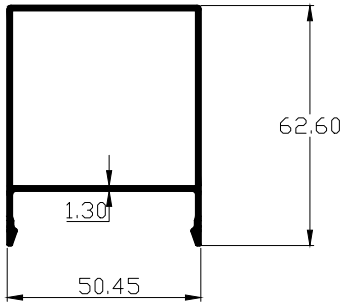
SECTION. NO	WT.Kgs/Mtr
23030	0.774



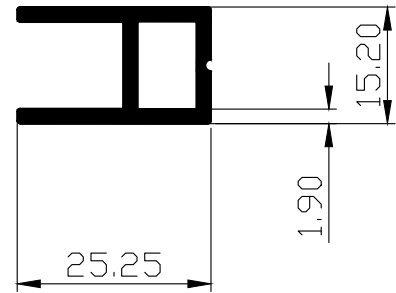
SECTION. NO	WT.Kgs/Mtr

PARAGON ALUMINIUM L.L.P

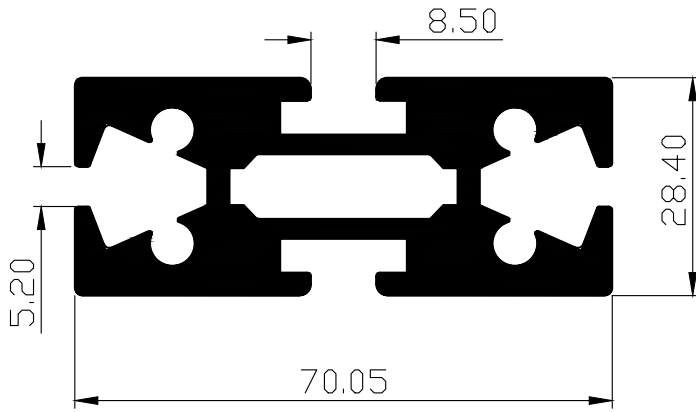
SECTION. NO	WT.Kgs/Mtr
07001	0.795



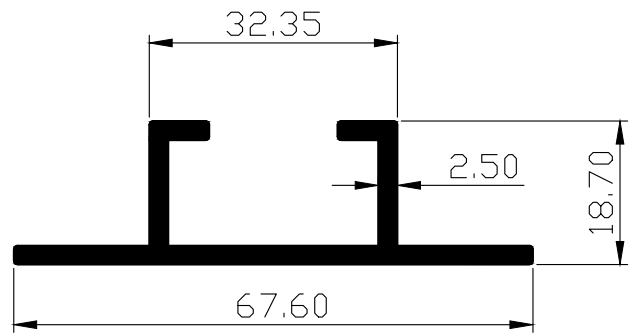
SECTION. NO	WT.Kgs/Mtr
07002	0.377



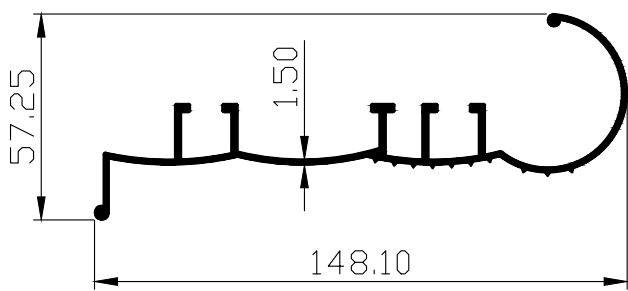
SECTION. NO	WT.Kgs/Mtr
07003	2.986
P-16	



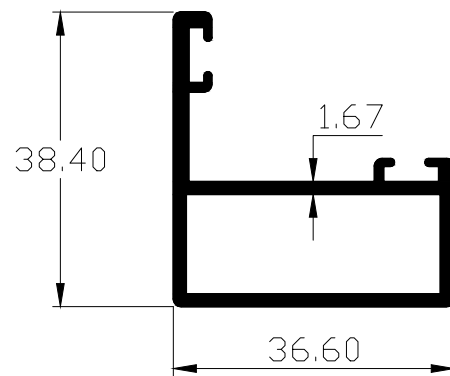
SECTION. NO	WT.Kgs/Mtr
07004	0.737



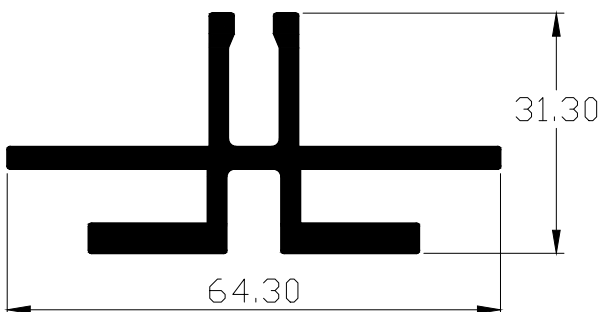
SECTION. NO	WT.Kgs/Mtr
7005	1.358
P-16	



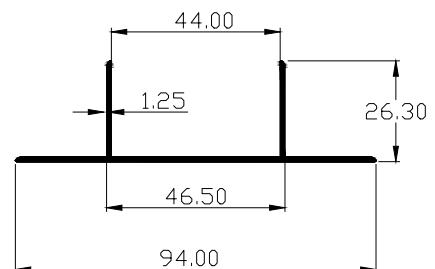
SECTION. NO	WT.Kgs/Mtr
07006	0.630



SECTION. NO	WT.Kgs/Mtr
7008	1.220
P-16	

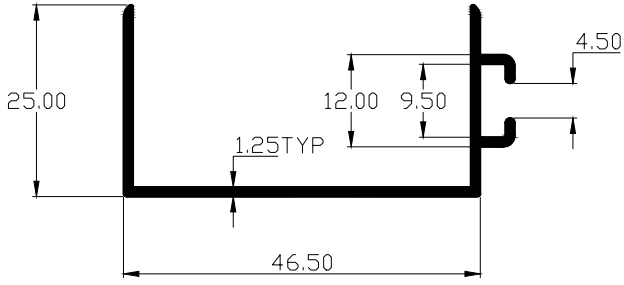


SECTION. NO	WT.Kgs/Mtr
7009	0.481

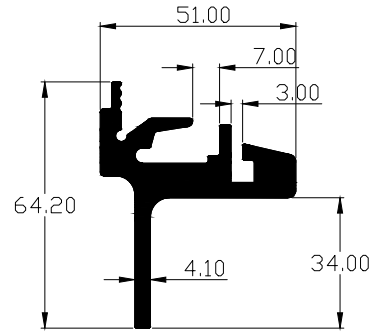


PARAGON ALUMINIUM L.L.P

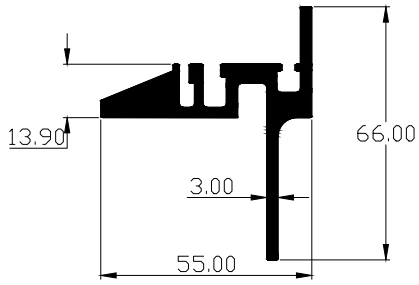
SECTION. NO	WT.Kgs/Mtr
7010	0.358



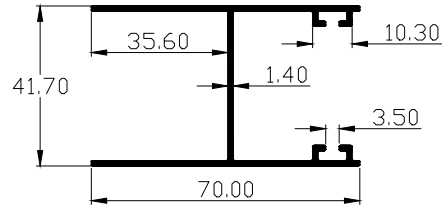
SECTION. NO	WT.Kgs/Mtr
7011	2.117
P-16	



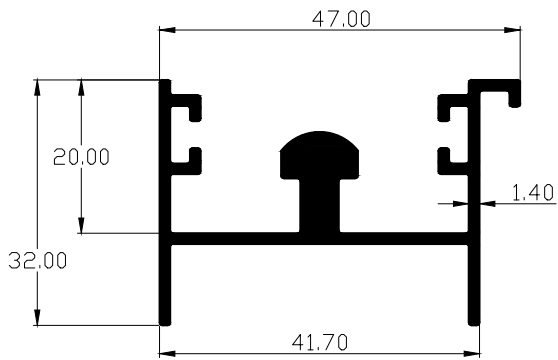
SECTION. NO	WT.Kgs/Mtr
7012	1.666
P-16	



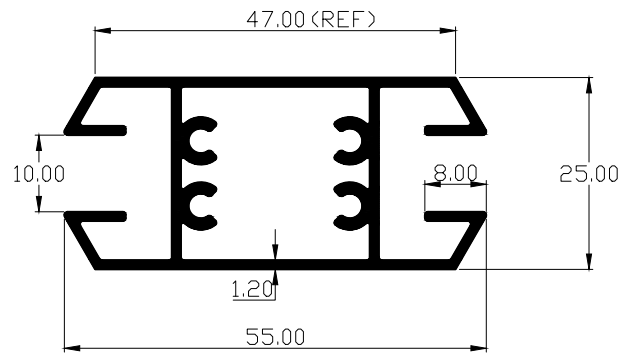
SECTION. NO	WT.Kgs/Mtr
7013	0.765
P-16	



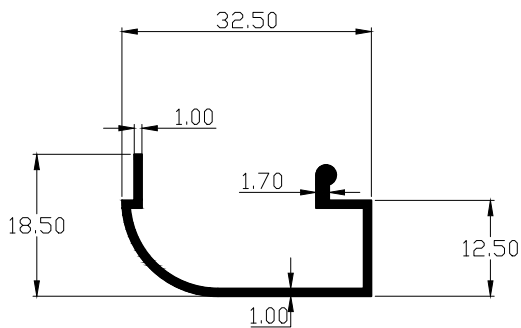
SECTION. NO	WT.Kgs/Mtr
7014	0.746



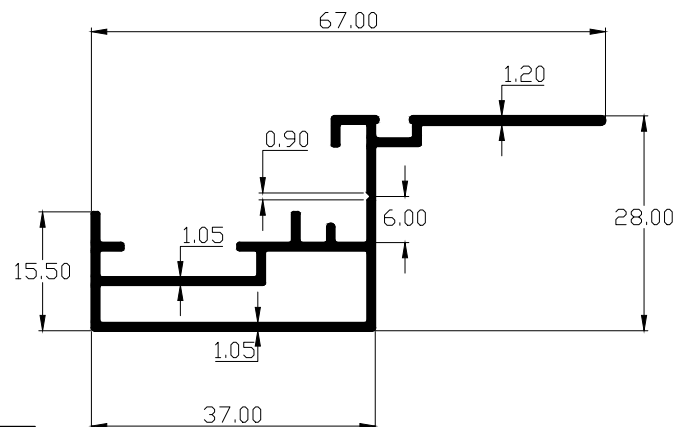
SECTION. NO	WT.Kgs/Mtr
7015	0.803
P-16	



SECTION. NO	WT.Kgs/Mtr
7016	0.197

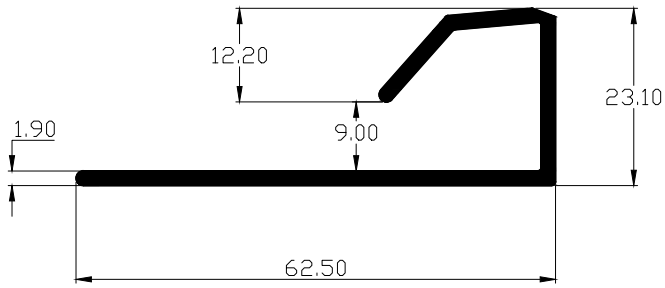


SECTION. NO	WT.Kgs/Mtr
7017	0.493

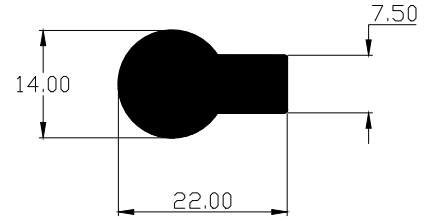


PARAGON ALUMINIUM L.L.P

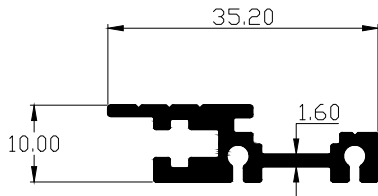
SECTION. NO	WT.Kgs/Mtr
7018	0.559



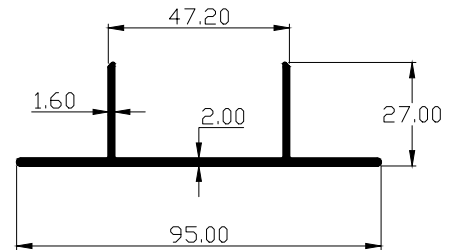
SECTION. NO	WT.Kgs/Mtr
7019	0.584



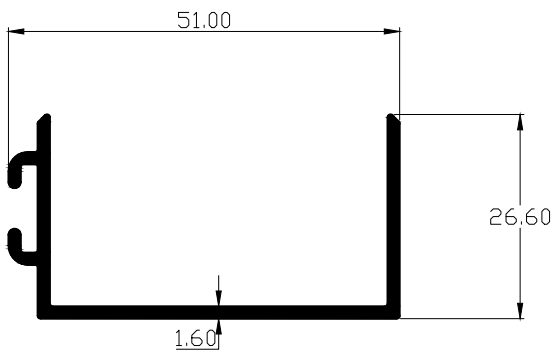
SECTION. NO	WT.Kgs/Mtr
7020	0.353
P-16	



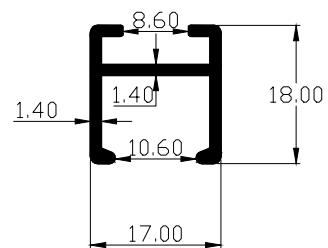
SECTION. NO	WT.Kgs/Mtr
7021	0.724
P-16	



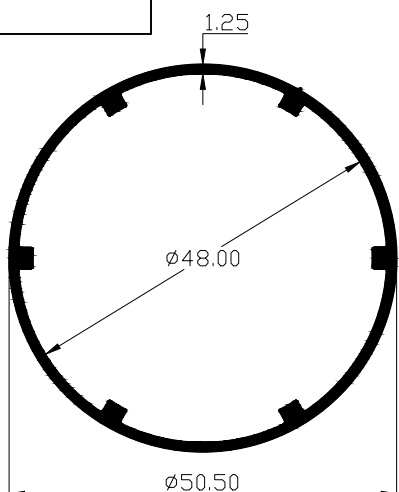
SECTION. NO	WT.Kgs/Mtr
7022	0.468



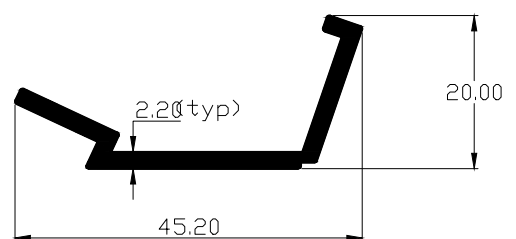
SECTION. NO	WT.Kgs/Mtr
7023	0.223



SECTION. NO	WT.Kgs/Mtr
7024	0.608

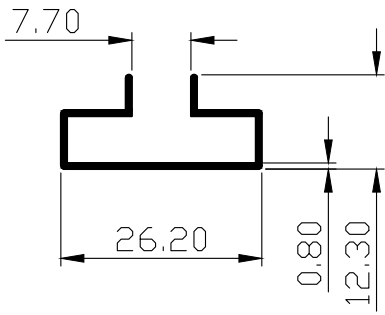


SECTION. NO	WT.Kgs/Mtr
7025	0.382

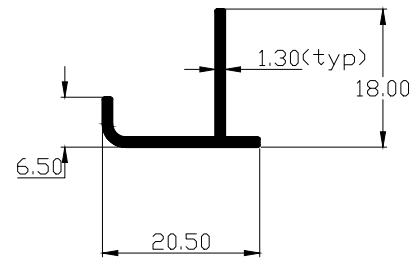


PARAGON ALUMINIUM L.L.P

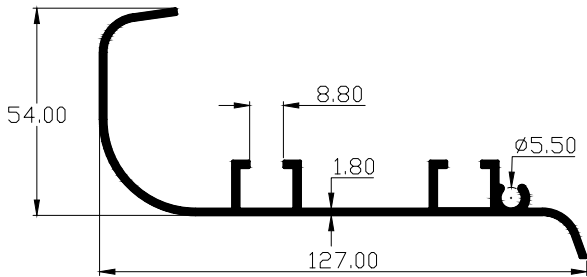
SECTION. NO	WT.Kgs/Mtr
7026	0.142



SECTION. NO	WT.Kgs/Mtr
7027	0.144



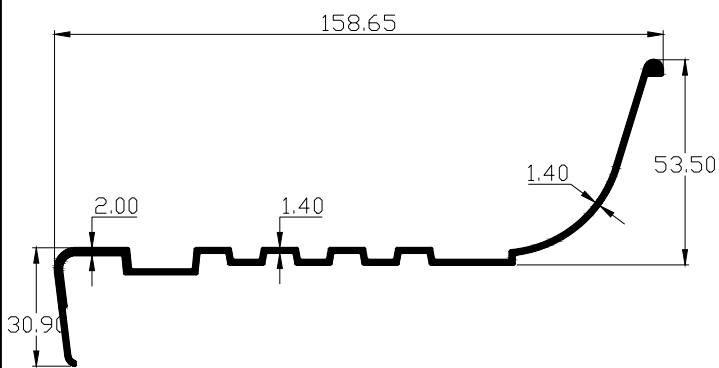
SECTION. NO	WT.Kgs/Mtr
7028	1.291
P-16	



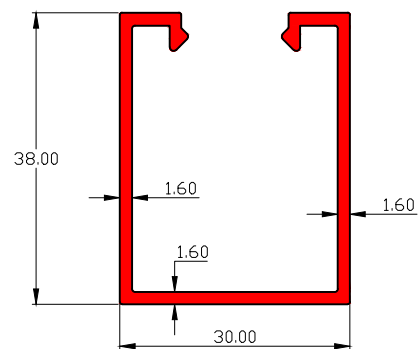
SECTION. NO	WT.Kgs/Mtr
7029	0.300
P-16	



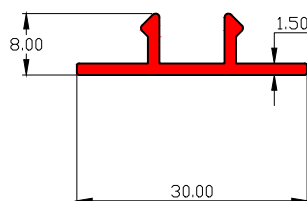
SECTION. NO	WT.Kgs/Mtr
7030	1.013
P-16	



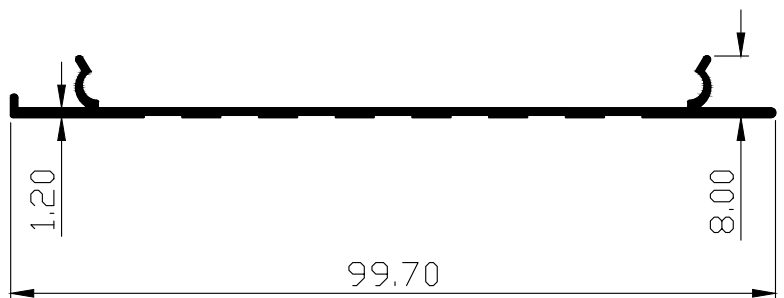
SECTION. NO	WT.Kgs/Mtr
7031	0.533



SECTION. NO	WT.Kgs/Mtr
7032	0.178

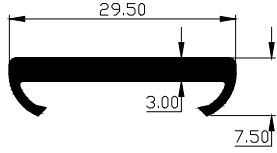


SECTION. NO	WT.Kgs/Mtr
7007	0.339

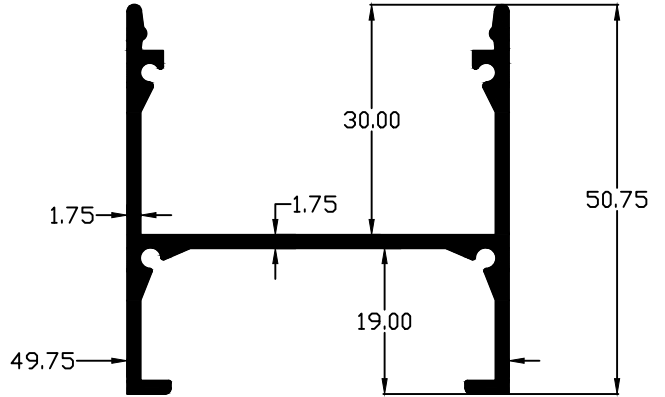


PARAGON ALUMINIUM L.L.P

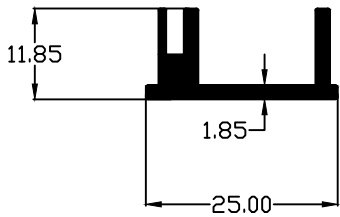
SECTION. NO	WT.Kgs/Mtr
7033	0.186
P-16	



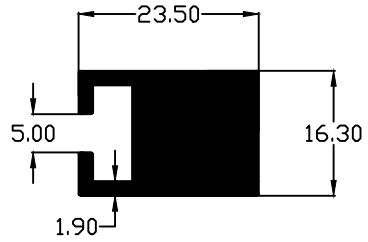
SECTION. NO	WT.Kgs/Mtr
7034	0.831



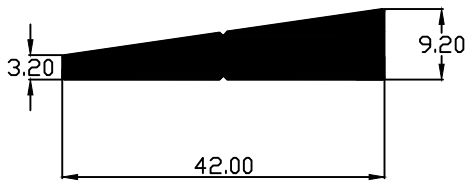
SECTION. NO	WT.Kgs/Mtr
7035	0.276



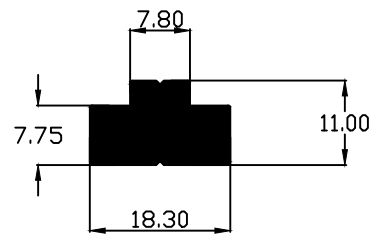
SECTION. NO	WT.Kgs/Mtr
7036	0.836



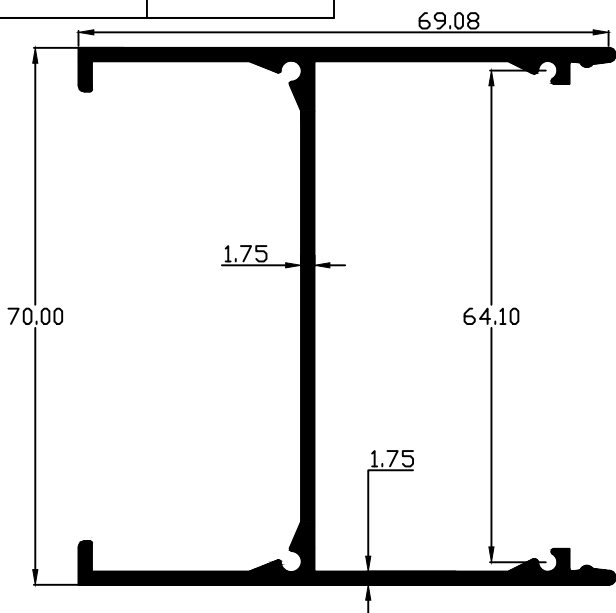
SECTION. NO	WT.Kgs/Mtr
7037	0.703



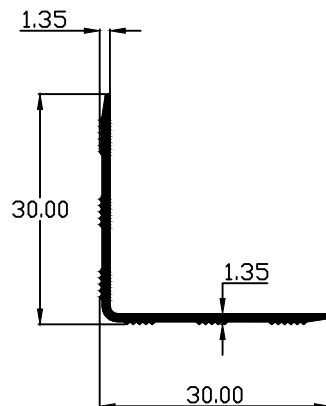
SECTION. NO	WT.Kgs/Mtr
7038	0.451



SECTION. NO	WT.Kgs/Mtr
7039	1.109

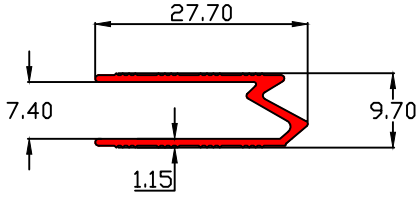


SECTION. NO	WT.Kgs/Mtr
7040	0.164

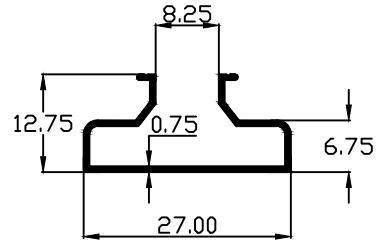


PARAGON ALUMINIUM L.L.P

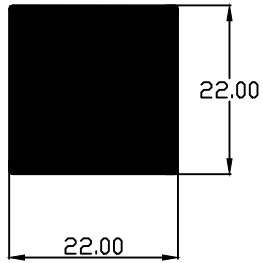
SECTION. NO	WT.Kgs/Mtr
7041	0.168



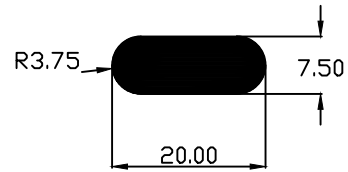
SECTION. NO	WT.Kgs/Mtr
7042	0.136



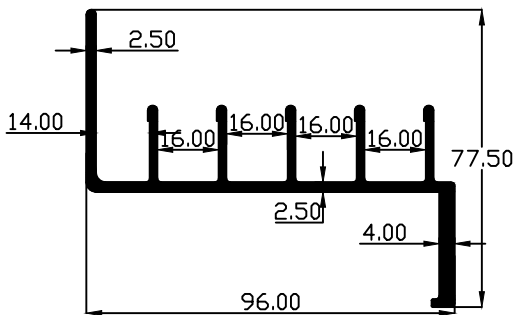
SECTION. NO	WT.Kgs/Mtr
7043	1.306
P-16	



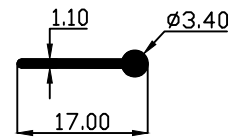
SECTION. NO	WT.Kgs/Mtr
7044	0.372



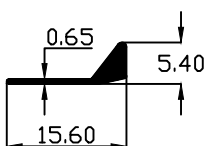
SECTION. NO	WT.Kgs/Mtr
7045	1.847
P-16	



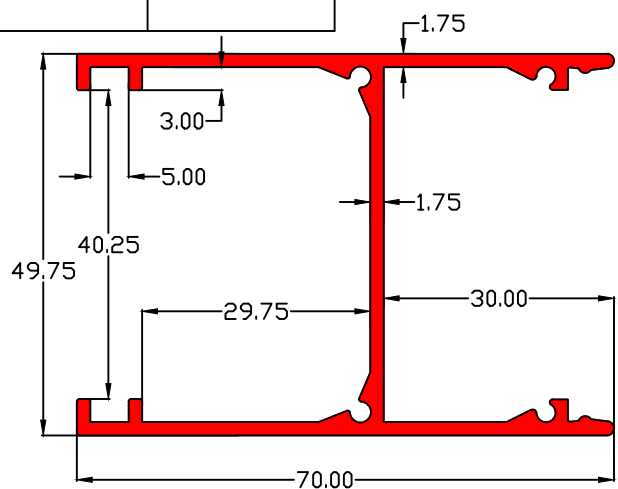
SECTION. NO	WT.Kgs/Mtr
7046	0.0646



SECTION. NO	WT.Kgs/Mtr
7047	0.06



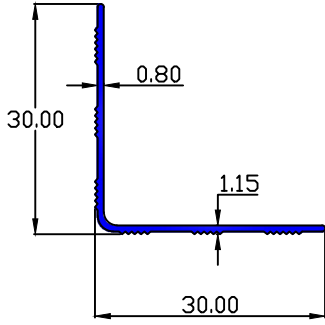
SECTION. NO	WT.Kgs/Mtr
7048	1.050



PARAGON ALUMINIUM L.L.P

SECTION. NO	WT.Kgs/Mtr
7049	0.137

SECTION. NO	WT.Kgs/Mtr



SECTION. NO	WT.Kgs/Mtr

SECTION. NO	WT.Kgs/Mtr

SECTION. NO	WT.Kgs/Mtr

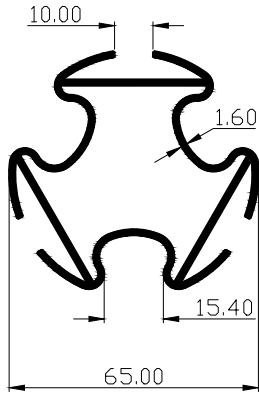
SECTION. NO	WT.Kgs/Mtr

SECTION. NO	WT.Kgs/Mtr

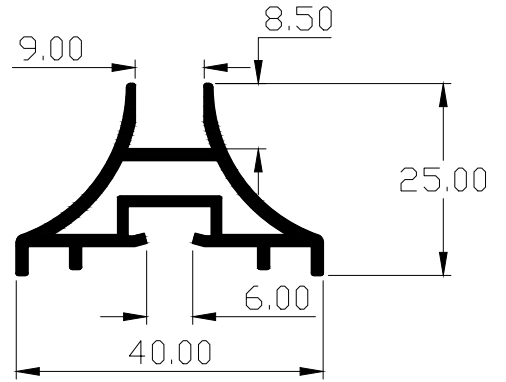
SECTION. NO	WT.Kgs/Mtr

PARAGON ALUMINIUM L.L.P

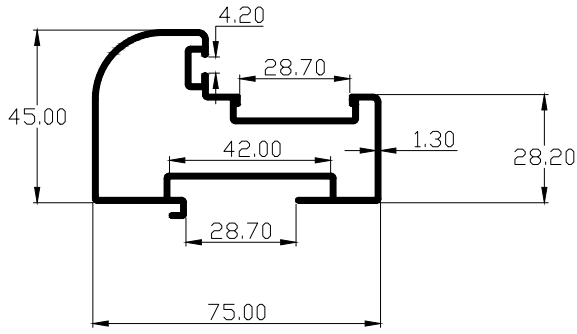
SECTION. NO	WT.Kgs/Mtr
30001	1,497



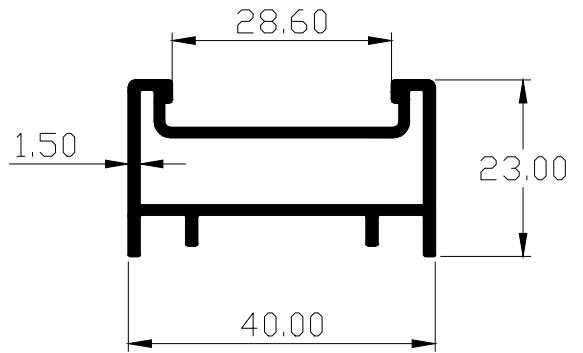
SECTION. NO	WT.Kgs/Mtr
30002	0,511



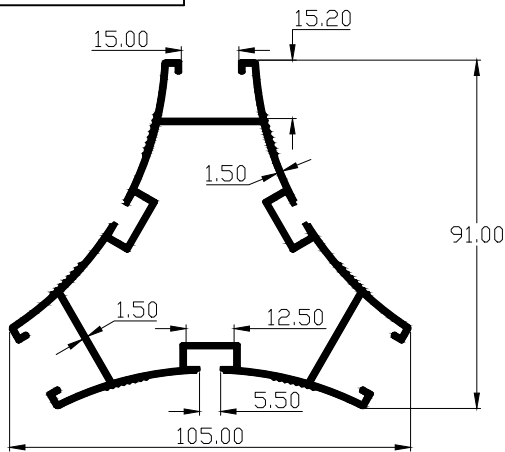
SECTION. NO	WT.Kgs/Mtr
30003	1,004



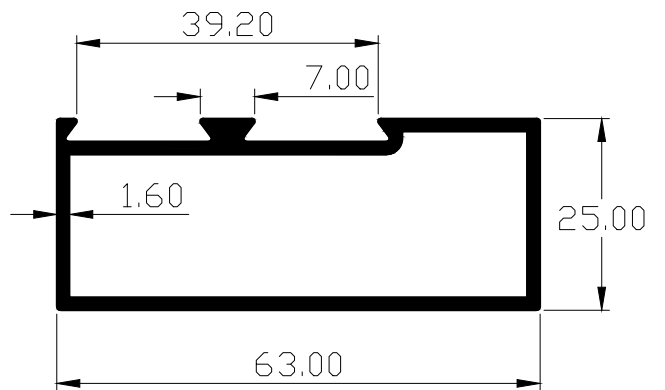
SECTION. NO	WT.Kgs/Mtr
30004	0,532



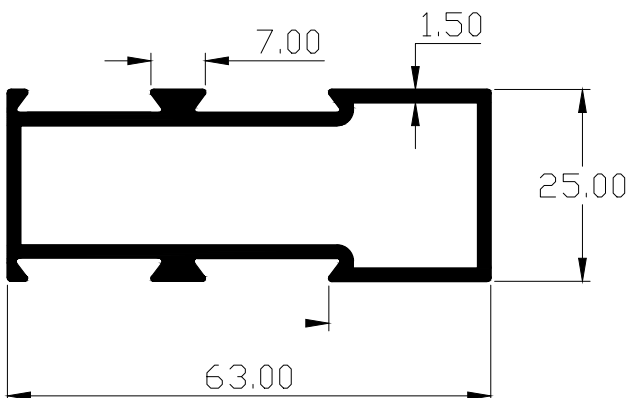
SECTION. NO	WT.Kgs/Mtr
30005	1,742



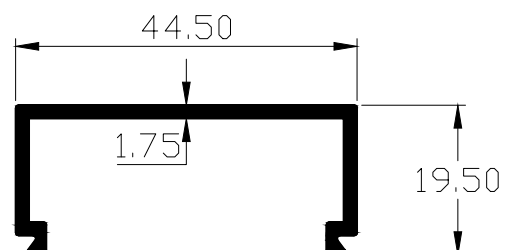
SECTION. NO	WT.Kgs/Mtr
30006	0,796



SECTION. NO	WT.Kgs/Mtr
30007	0,818

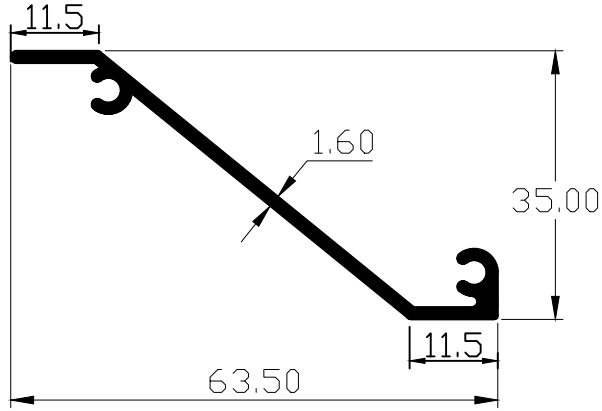


SECTION. NO	WT.Kgs/Mtr
30008	0,401

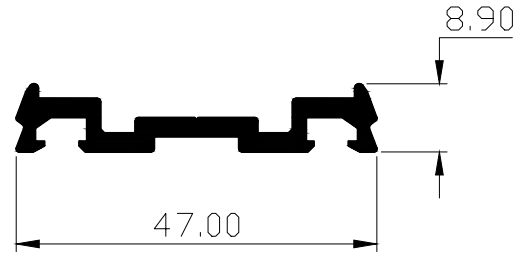


PARAGON ALUMINIUM L.L.P

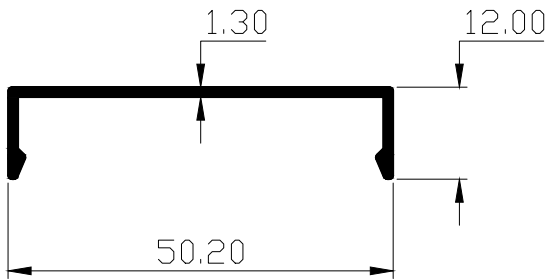
SECTION. NO	WT.Kgs/Mtr
30009	0.420



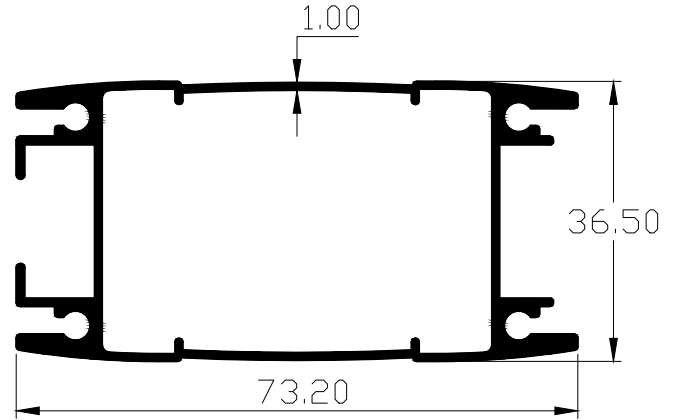
SECTION. NO	WT.Kgs/Mtr
30010	0.465



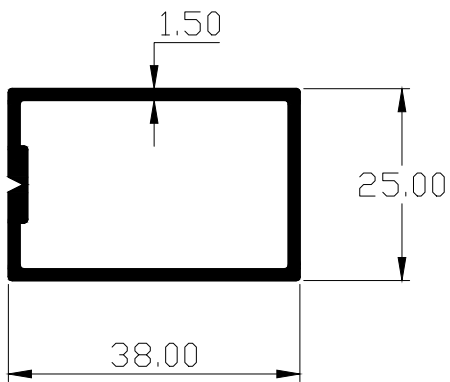
SECTION. NO	WT.Kgs/Mtr
30011	0.260



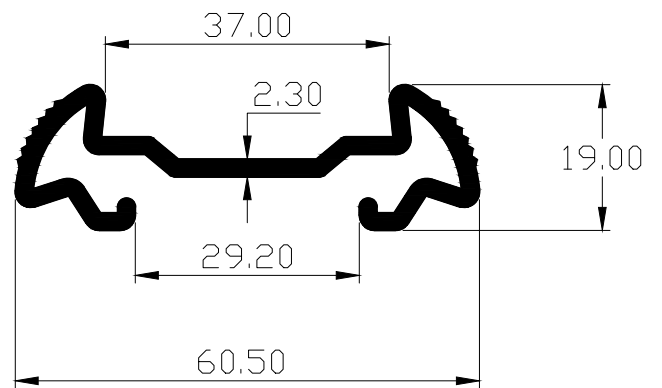
SECTION. NO	WT.Kgs/Mtr
30012	0.971



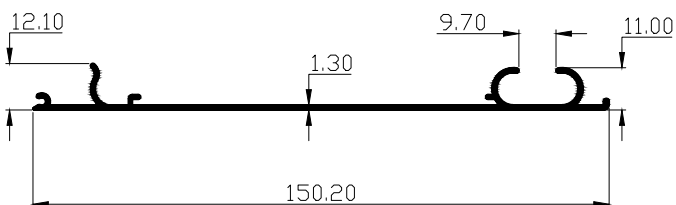
SECTION. NO	WT.Kgs/Mtr
30013	0.507



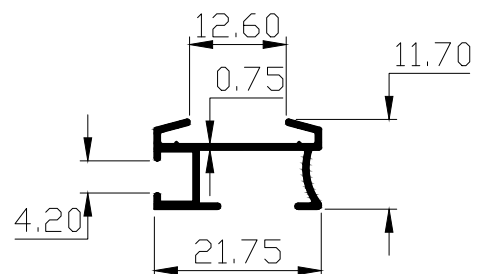
SECTION. NO	WT.Kgs/Mtr
30014	0.799



SECTION. NO	WT.Kgs/Mtr
30015	0.705

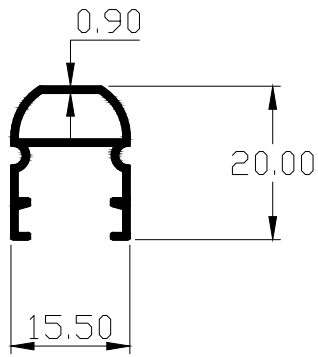


SECTION. NO	WT.Kgs/Mtr
30016	0.128

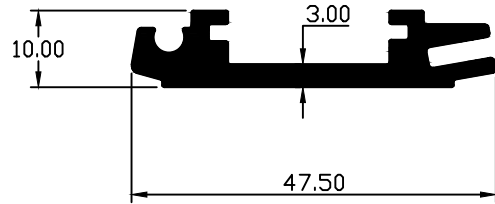


PARAGON ALUMINIUM L.L.P

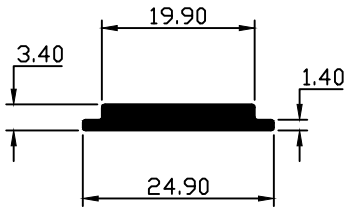
SECTION. NO	WT.Kgs/Mtr
30017	0.176



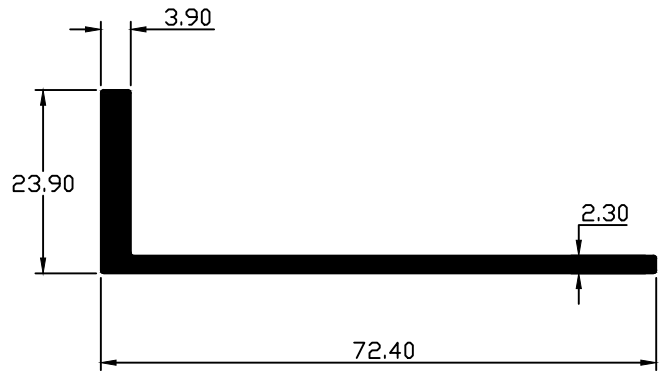
SECTION. NO	WT.Kgs/Mtr
30018	0.620



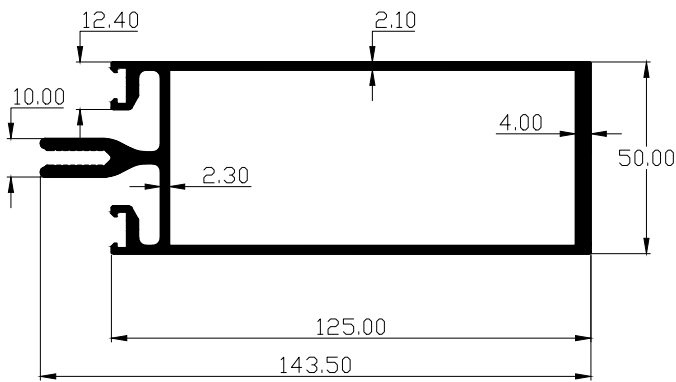
SECTION. NO	WT.Kgs/Mtr
30019	0.201



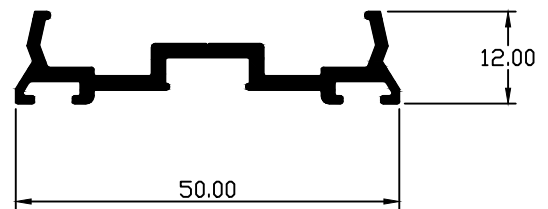
SECTION. NO	WT.Kgs/Mtr
30020	0.676



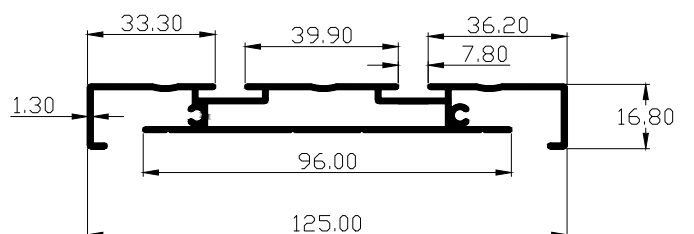
SECTION. NO	WT.Kgs/Mtr
30021	2.852



SECTION. NO	WT.Kgs/Mtr
30022	0.395

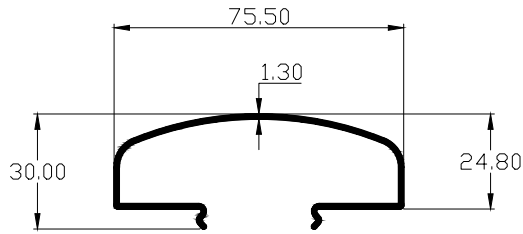


SECTION. NO	WT.Kgs/Mtr
30024	1.143

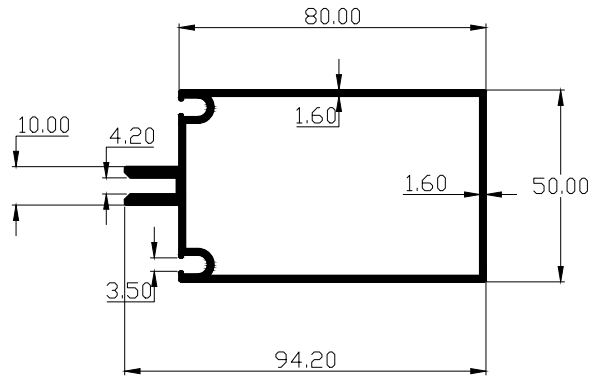


PARAGON ALUMINIUM L.L.P

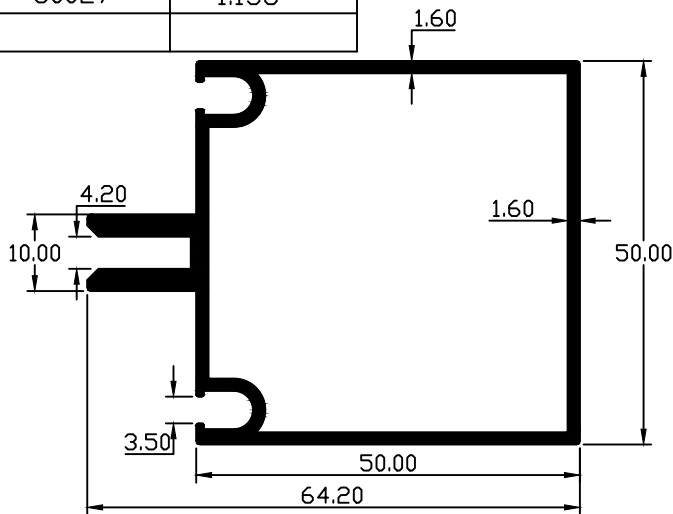
SECTION. NO	WT.Kgs/Mtr
30025	0.579



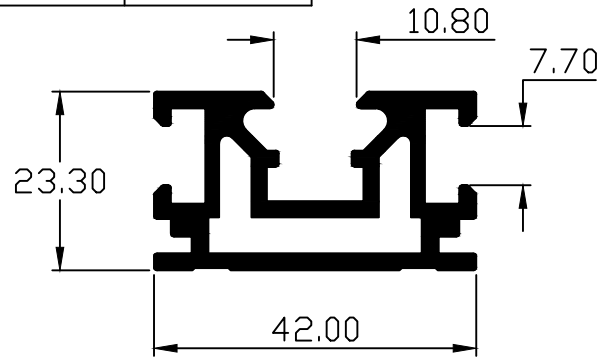
SECTION. NO	WT.Kgs/Mtr
30026	1.396



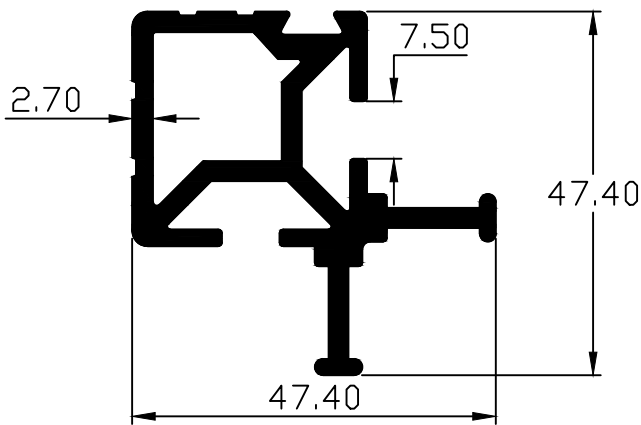
SECTION. NO	WT.Kgs/Mtr
30027	1.136



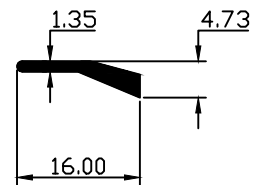
SECTION. NO	WT.Kgs/Mtr
30028	1.054



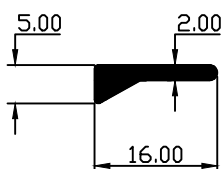
SECTION. NO	WT.Kgs/Mtr
30029	1.318



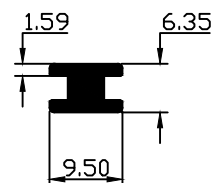
SECTION. NO	WT.Kgs/Mtr
30030	0.079



SECTION. NO	WT.Kgs/Mtr
30031	0.111

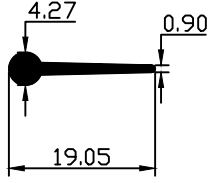


SECTION. NO	WT.Kgs/Mtr
30032	0.121

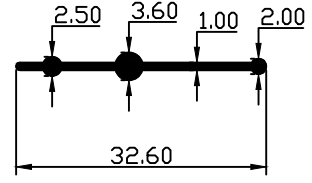


PARAGON ALUMINIUM L.L.P

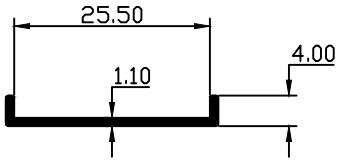
SECTION. NO	WT.Kgs/Mtr
30033	0.087



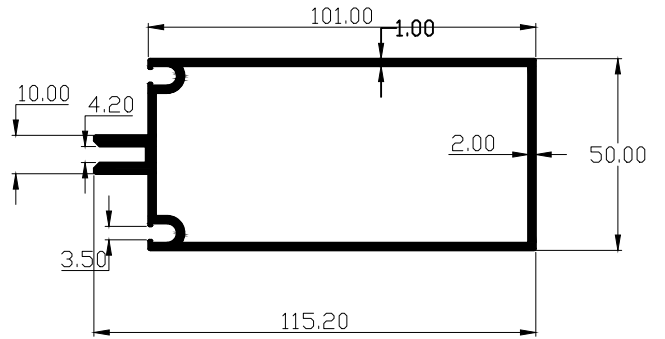
SECTION. NO	WT.Kgs/Mtr
30034	0.115



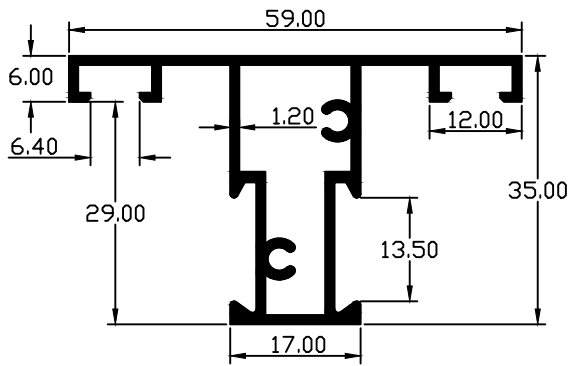
SECTION. NO	WT.Kgs/Mtr
30035	0.098



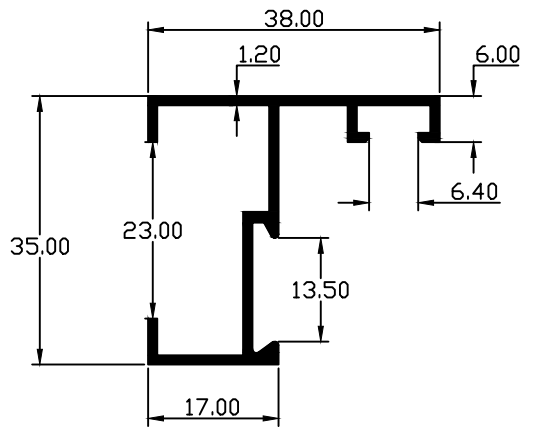
SECTION. NO	WT.Kgs/Mtr
30036	1.886



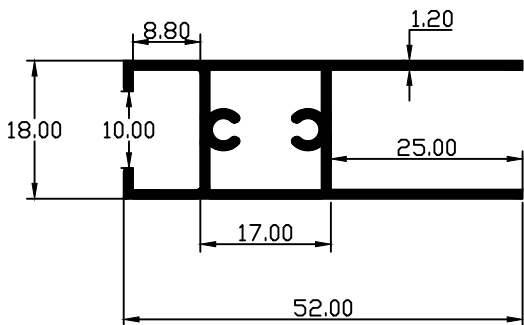
SECTION. NO	WT.Kgs/Mtr
30037	0.654



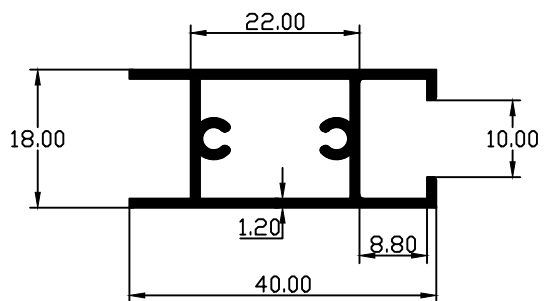
SECTION. NO	WT.Kgs/Mtr
30038	0.385



SECTION. NO	WT.Kgs/Mtr
30039	0.512

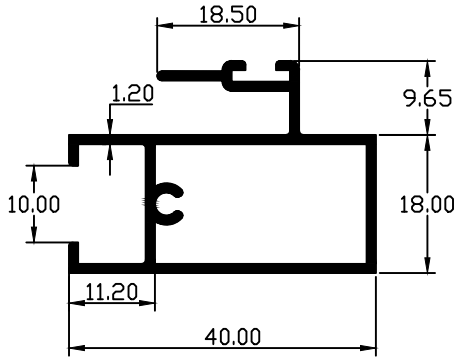


SECTION. NO	WT.Kgs/Mtr
30040	0.434

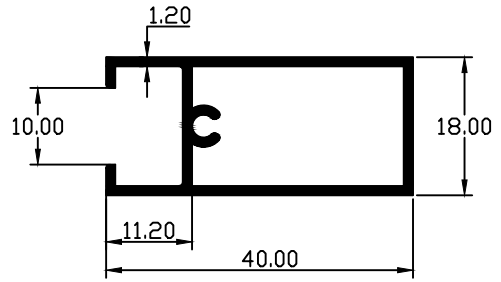


PARAGON ALUMINIUM L.L.P

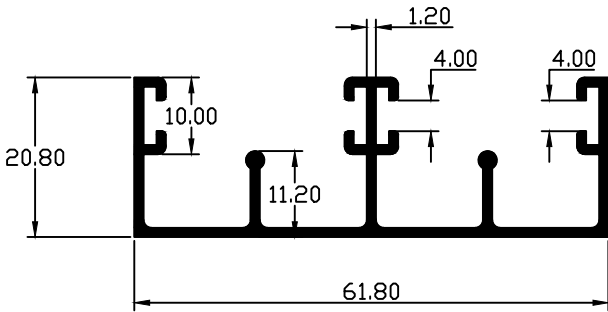
SECTION. NO	WT.Kgs/Mtr
30041	0.508



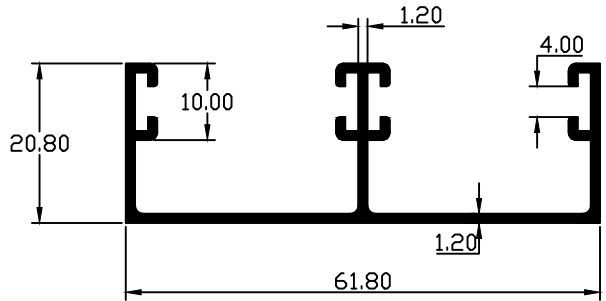
SECTION. NO	WT.Kgs/Mtr
30042	0.403



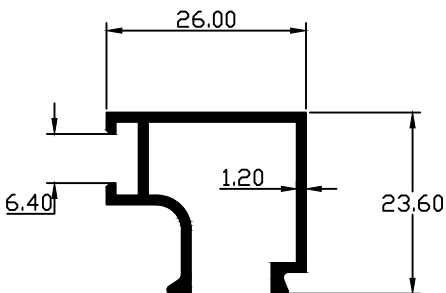
SECTION. NO	WT.Kgs/Mtr
30043	0.585



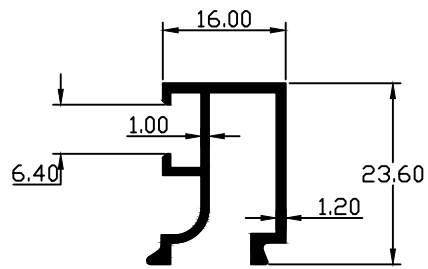
SECTION. NO	WT.Kgs/Mtr
30044	0.509



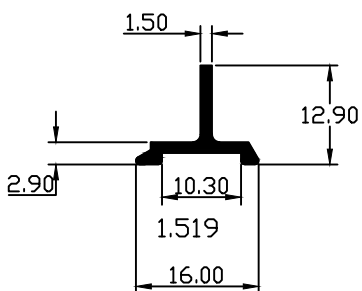
SECTION. NO	WT.Kgs/Mtr
30045	0.287



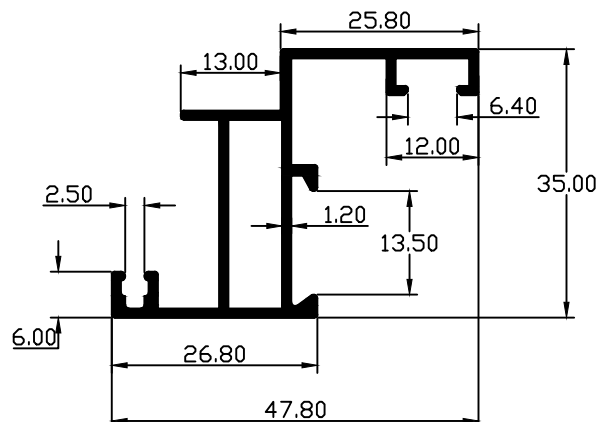
SECTION. NO	WT.Kgs/Mtr
30046	0.240



SECTION. NO	WT.Kgs/Mtr
30047	0.112

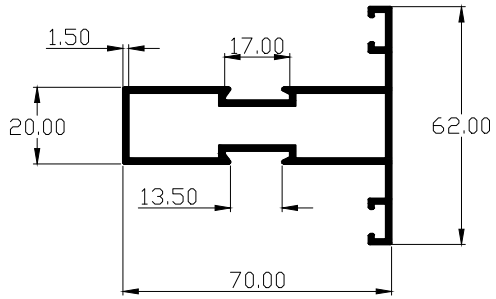


SECTION. NO	WT.Kgs/Mtr
30048	0.510

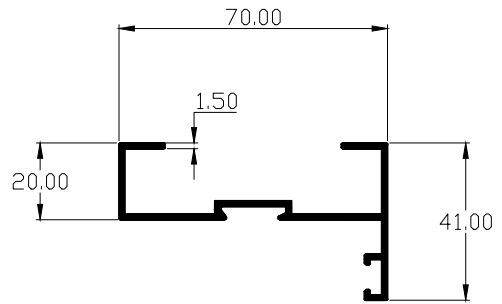


PARAGON ALUMINIUM L.L.P

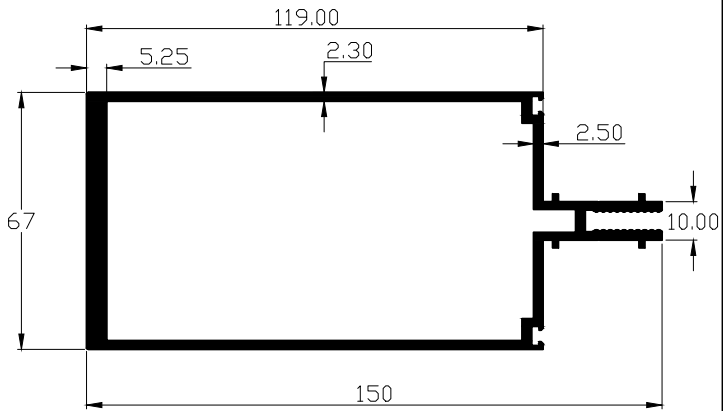
SECTION. NO	WT.Kgs/Mtr
30049	1.044



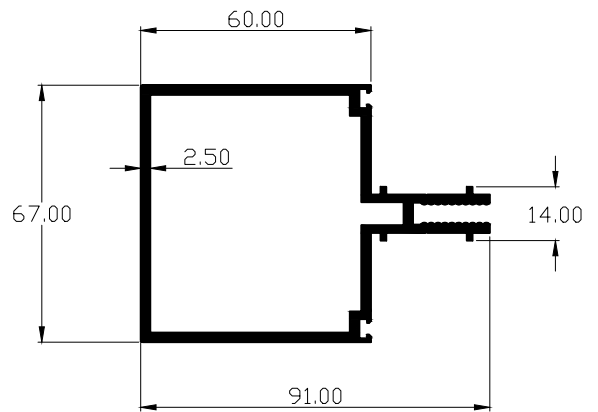
SECTION. NO	WT.Kgs/Mtr
30050	0.687



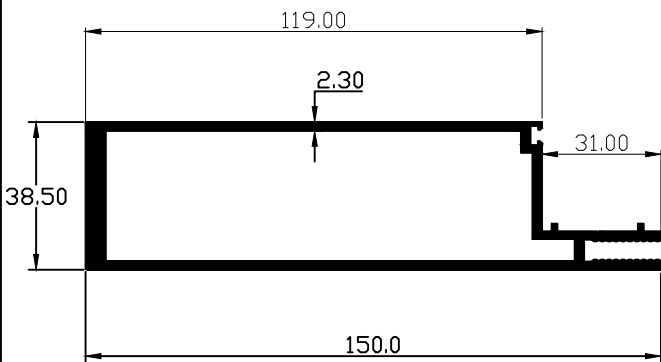
SECTION. NO	WT.Kgs/Mtr
30051	3.221



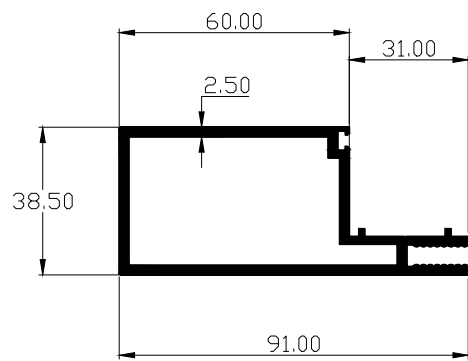
SECTION. NO	WT.Kgs/Mtr
30052	2.0816



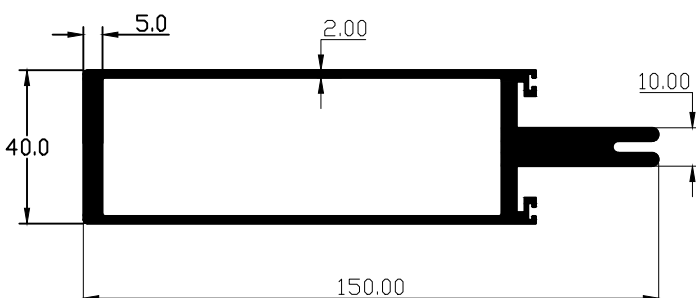
SECTION. NO	WT.Kgs/Mtr
30053	2.607



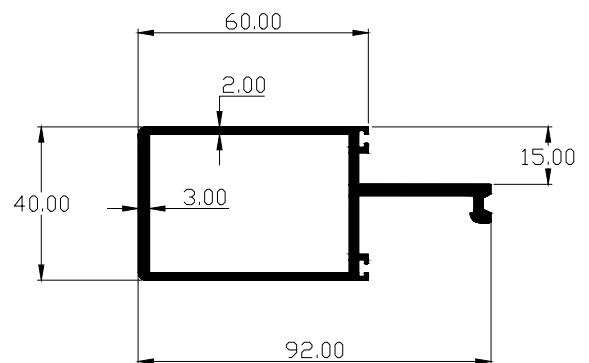
SECTION. NO	WT.Kgs/Mtr
30054	1.686



SECTION. NO	WT.Kgs/Mtr
30055	3.098

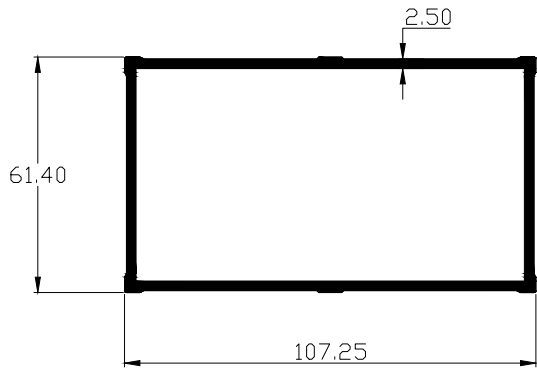


SECTION. NO	WT.Kgs/Mtr
30056	1.541

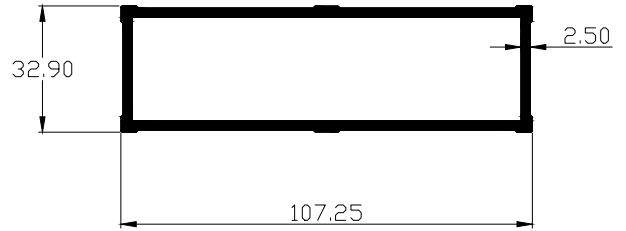


PARAGON ALUMINIUM L.L.P

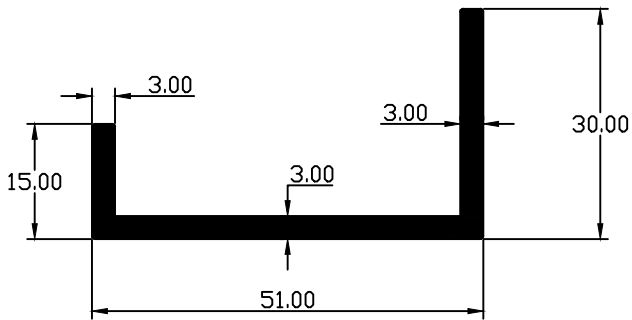
SECTION. NO	WT.Kgs/Mtr
30057	2.244



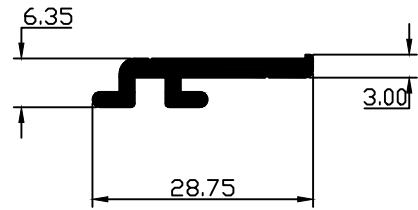
SECTION. NO	WT.Kgs/Mtr
30058	1.803



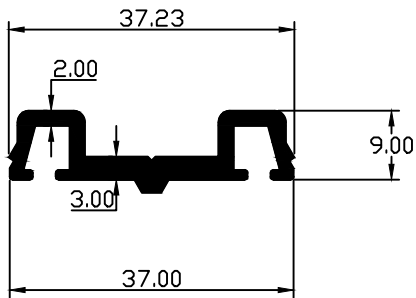
SECTION. NO	WT.Kgs/Mtr
30059	0.728



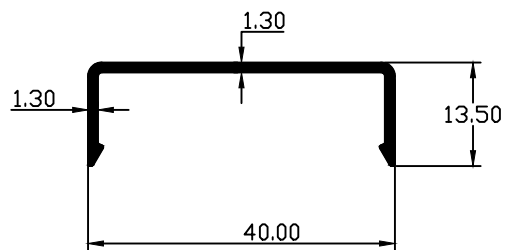
SECTION. NO	WT.Kgs/Mtr
30060	0.245



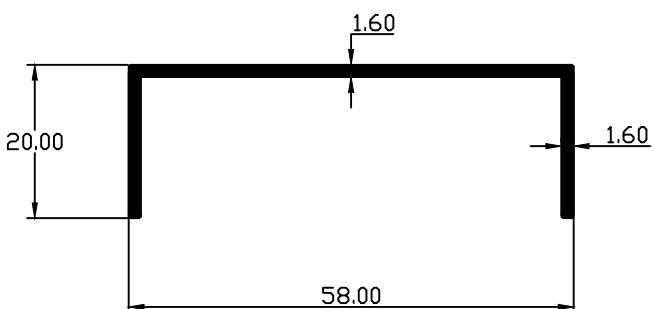
SECTION. NO	WT.Kgs/Mtr
30061	0.425



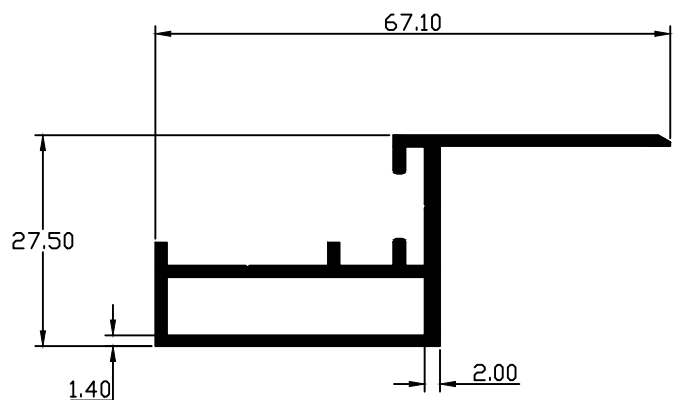
SECTION. NO	WT.Kgs/Mtr
30062	0.223



SECTION. NO	WT.Kgs/Mtr
30063	0.408

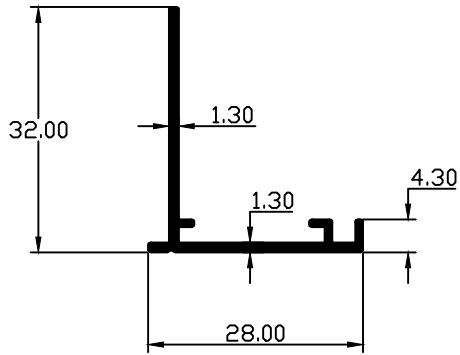


SECTION. NO	WT.Kgs/Mtr
30064	0.635

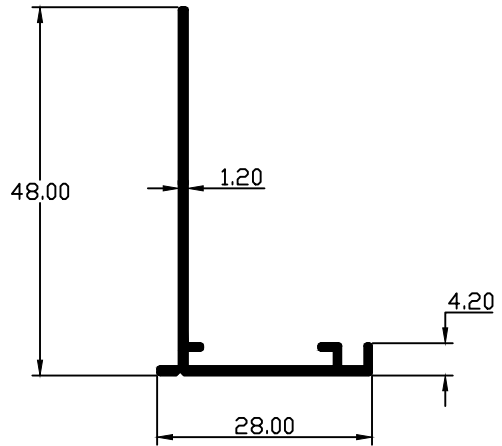


PARAGON ALUMINIUM L.L.P

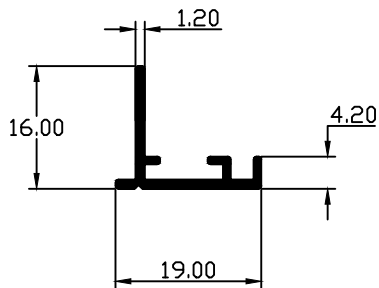
SECTION. NO	WT.Kgs/Mtr
30065	0.231



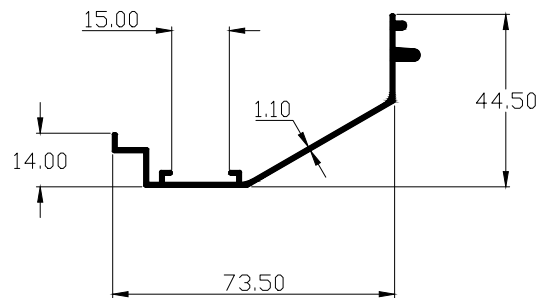
SECTION. NO	WT.Kgs/Mtr
30066	0.267



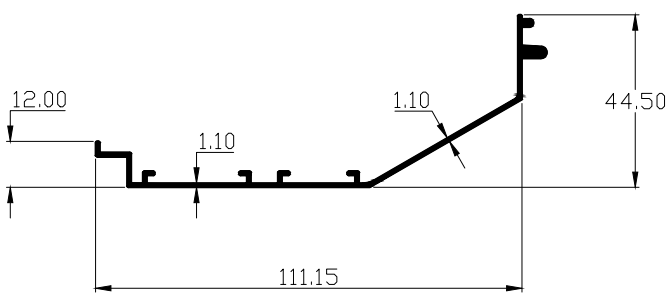
SECTION. NO	WT.Kgs/Mtr
30067	0.134



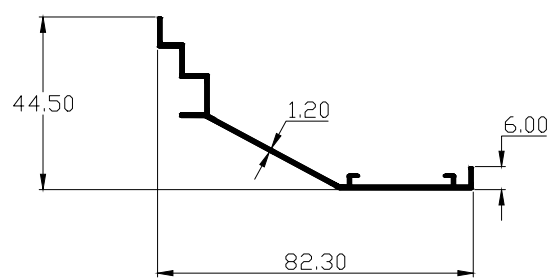
SECTION. NO	WT.Kgs/Mtr
30068	0.440



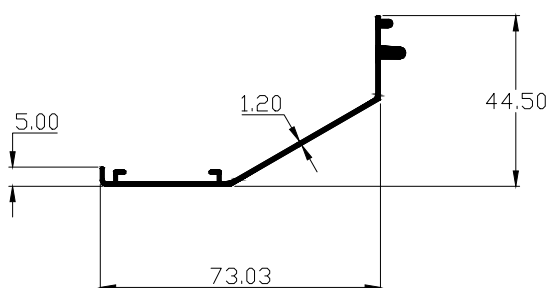
SECTION. NO	WT.Kgs/Mtr
30069	0.574



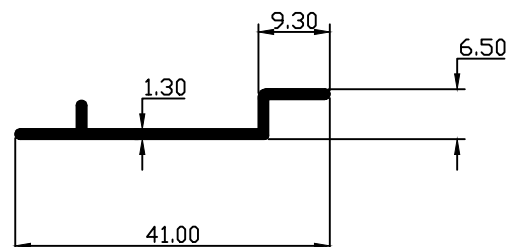
SECTION. NO	WT.Kgs/Mtr
30070	0.422



SECTION. NO	WT.Kgs/Mtr
30071	0.432

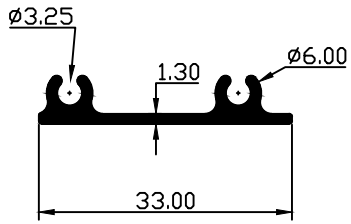


SECTION. NO	WT.Kgs/Mtr
30072	0.172

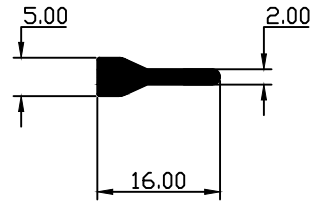


PARAGON ALUMINIUM L.L.P

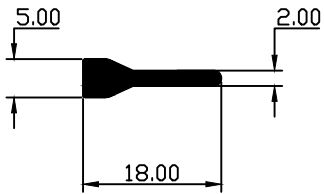
SECTION. NO	WT.Kgs/Mtr
30073	0.216



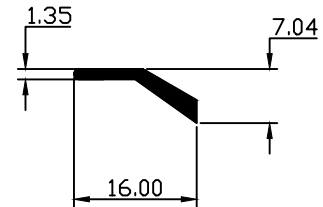
SECTION. NO	WT.Kgs/Mtr
30074	0.124



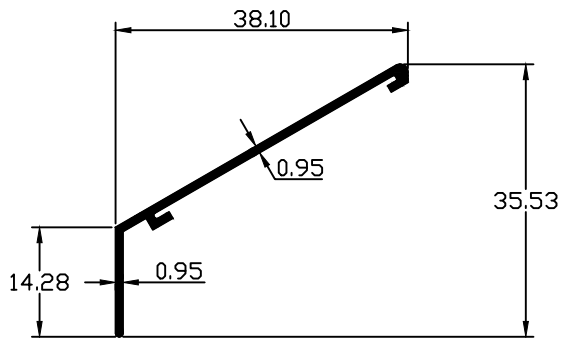
SECTION. NO	WT.Kgs/Mtr
30075	0.135



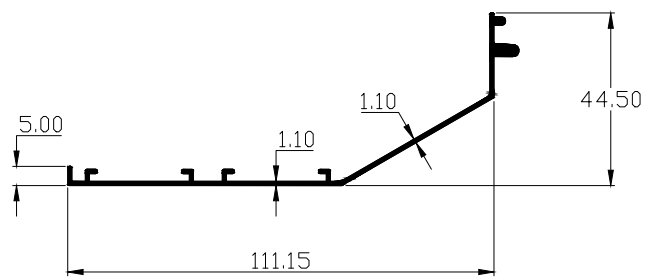
SECTION. NO	WT.Kgs/Mtr
30076	0.081



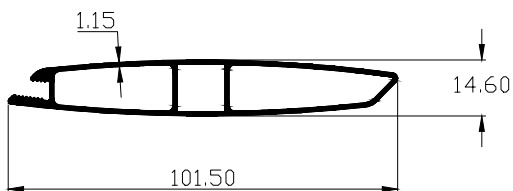
SECTION. NO	WT.Kgs/Mtr
30077	0.166



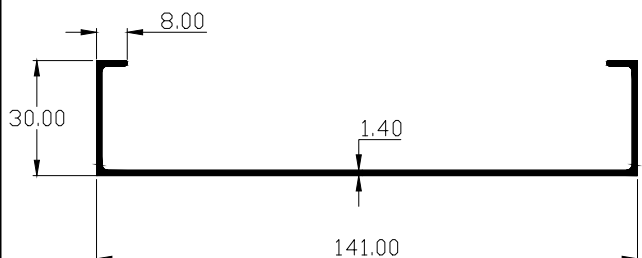
SECTION. NO	WT.Kgs/Mtr
30078	0.553



SECTION. NO	WT.Kgs/Mtr
30079	0.783

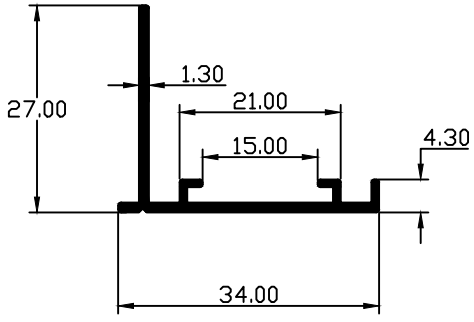


SECTION. NO	WT.Kgs/Mtr
30080	0.803

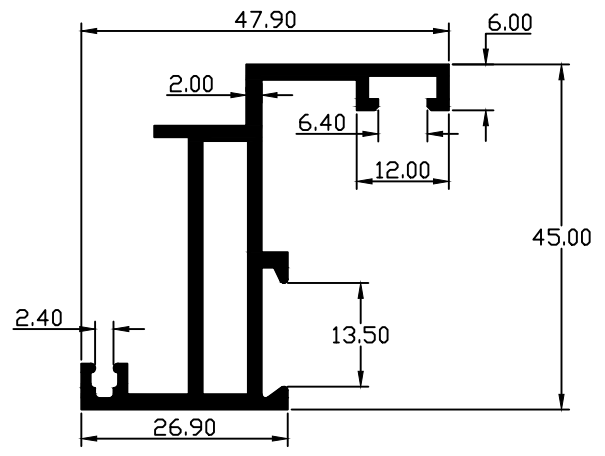


PARAGON ALUMINIUM L.L.P

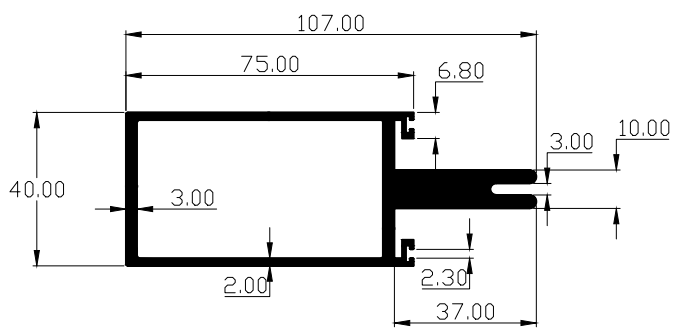
SECTION. NO	WT.Kgs/Mtr
30081	0.242



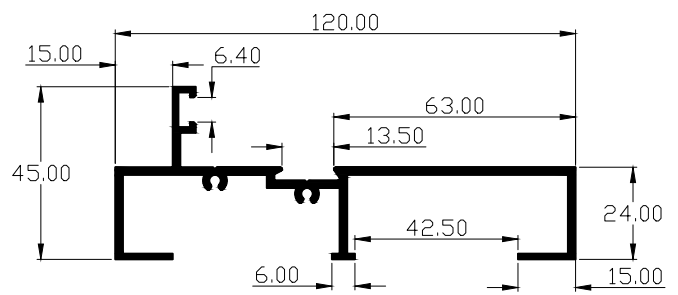
SECTION. NO	WT.Kgs/Mtr
30082	0.797



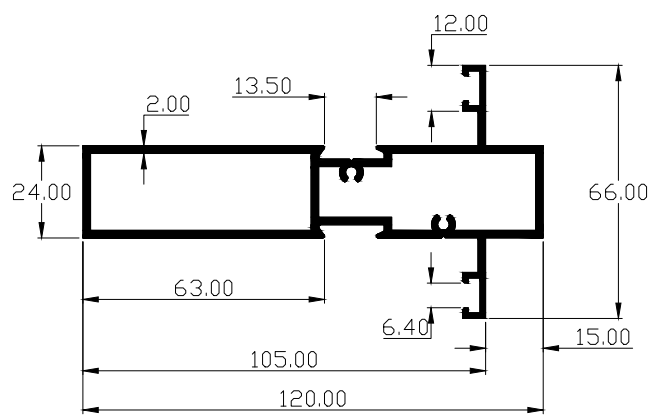
SECTION. NO	WT.Kgs/Mtr
30083	2.342



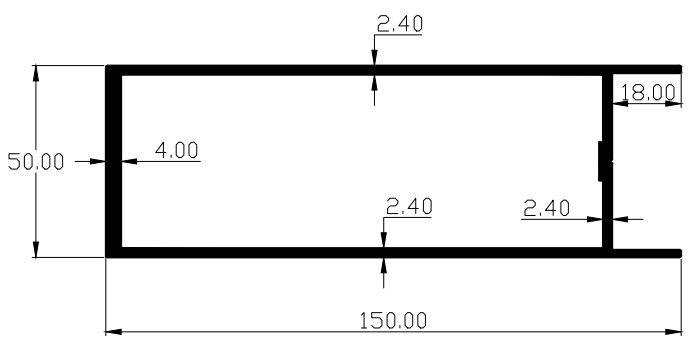
SECTION. NO	WT.Kgs/Mtr
30084	1.369



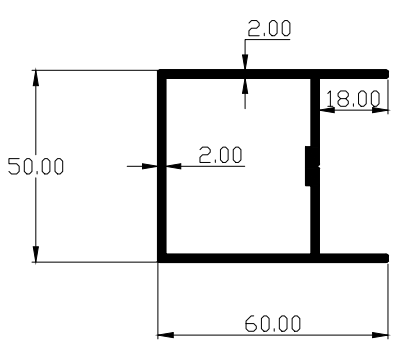
SECTION. NO	WT.Kgs/Mtr
30085	2.039



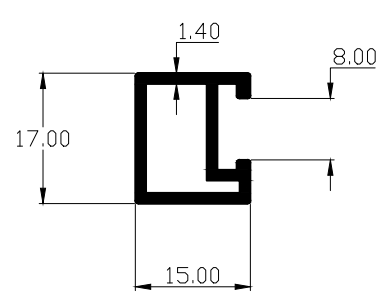
SECTION. NO	WT.Kgs/Mtr
30086	2.712



SECTION. NO	WT.Kgs/Mtr
30087	1.181

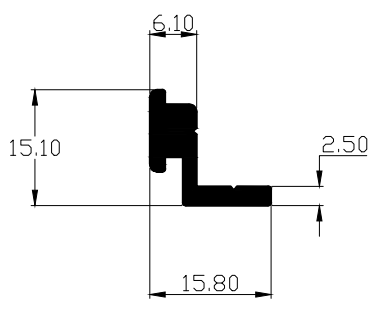


SECTION. NO	WT.Kgs/Mtr
30088	0.251

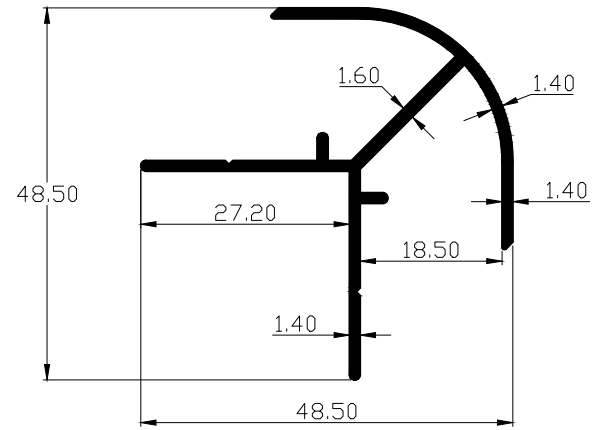


PARAGON ALUMINIUM L.L.P

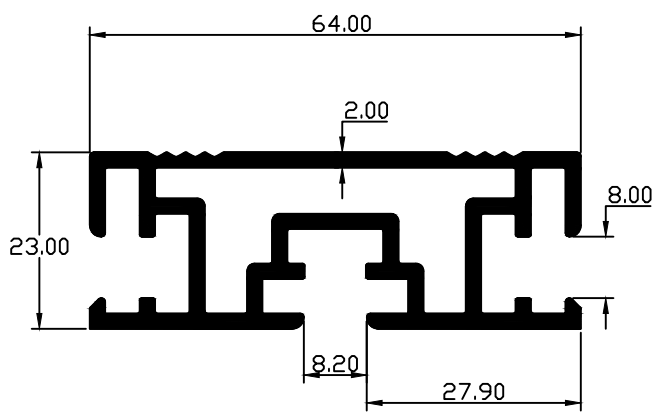
SECTION. NO	WT.Kgs/Mtr
30089	0.226



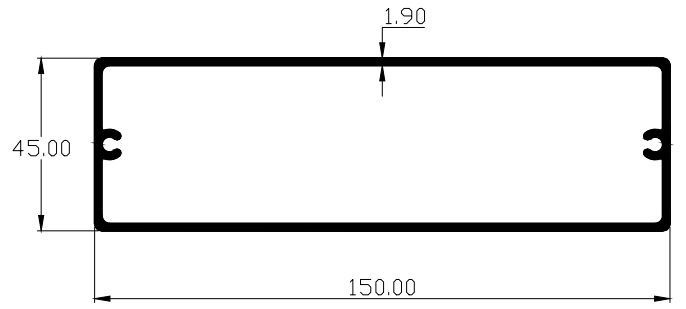
SECTION. NO	WT.Kgs/Mtr
30090	0.511



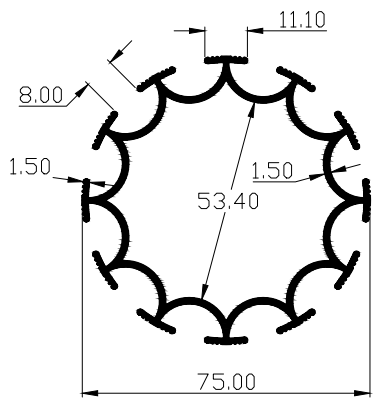
SECTION. NO	WT.Kgs/Mtr
30091	1.332



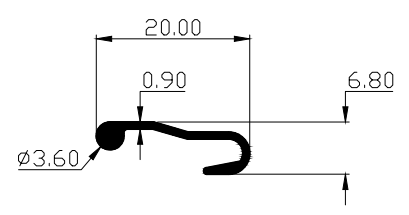
SECTION. NO	WT.Kgs/Mtr
30092	2.043



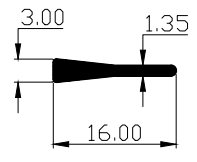
SECTION. NO	WT.Kgs/Mtr
30093	1.560



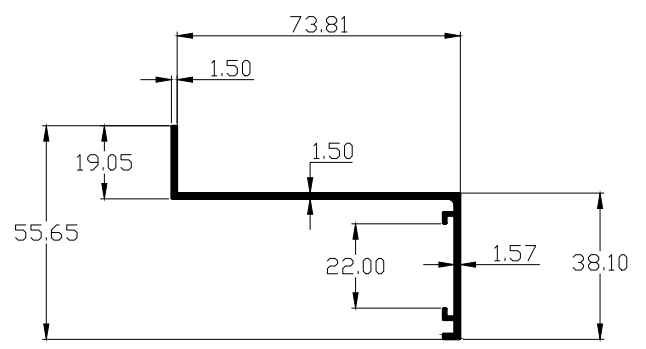
SECTION. NO	WT.Kgs/Mtr
30094	0.091



SECTION. NO	WT.Kgs/Mtr
30095	0.076

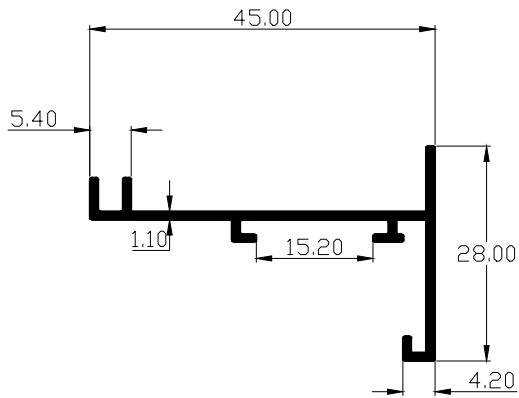


SECTION. NO	WT.Kgs/Mtr
30096	0.573

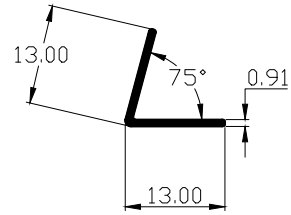


PARAGON ALUMINIUM L.L.P

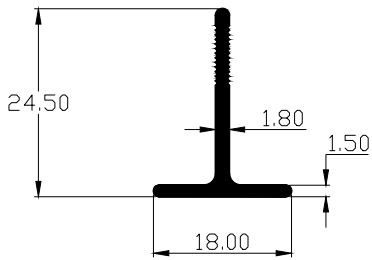
SECTION. NO	WT.Kgs/Mtr
30097	0.292



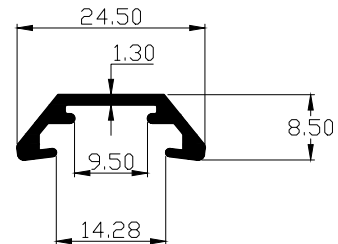
SECTION. NO	WT.Kgs/Mtr
30098	0.061



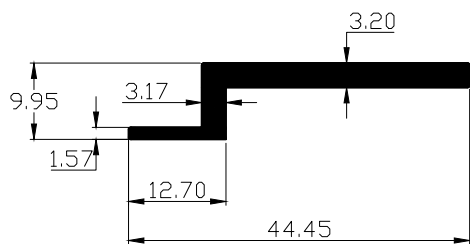
SECTION. NO	WT.Kgs/Mtr
30099	0.178



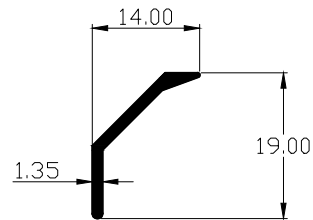
SECTION. NO	WT.Kgs/Mtr
30100	0.166



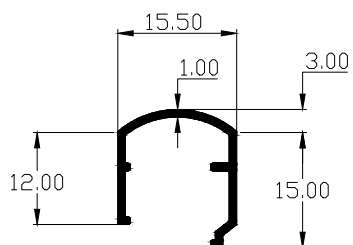
SECTION. NO	WT.Kgs/Mtr
30101	0.399



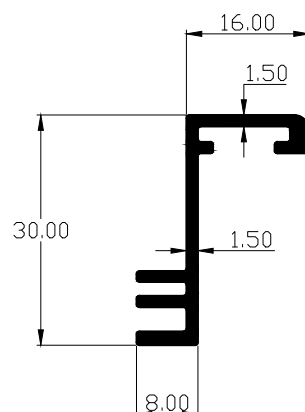
SECTION. NO	WT.Kgs/Mtr
30102	0.094



SECTION. NO	WT.Kgs/Mtr
30103	0.127

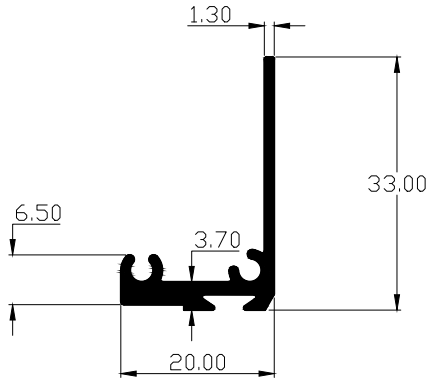


SECTION. NO	WT.Kgs/Mtr
30104	0.299

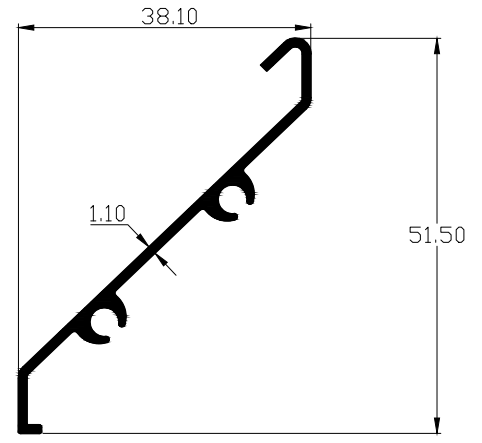


PARAGON ALUMINIUM L.L.P

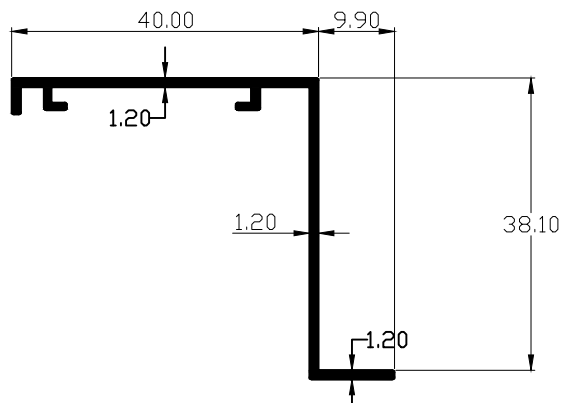
SECTION. NO	WT.Kgs/Mtr
30105	0.297



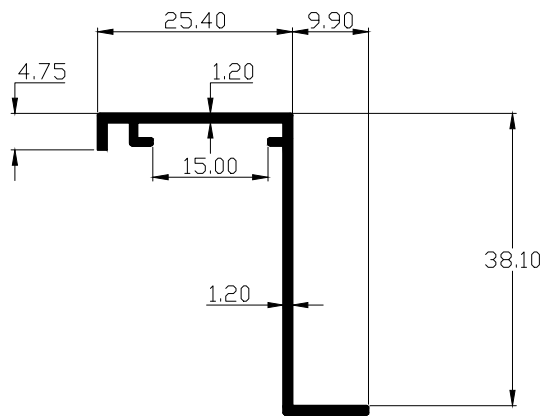
SECTION. NO	WT.Kgs/Mtr
30106	0.292



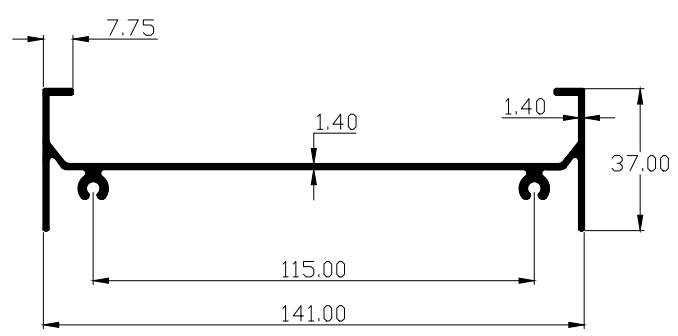
SECTION. NO	WT.Kgs/Mtr
30107	0.324



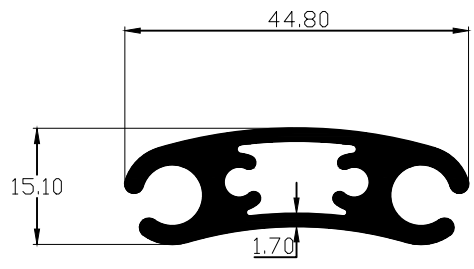
SECTION. NO	WT.Kgs/Mtr
30108	0.268



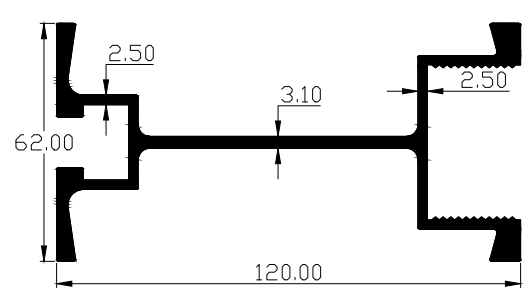
SECTION. NO	WT.Kgs/Mtr
30109	1.068



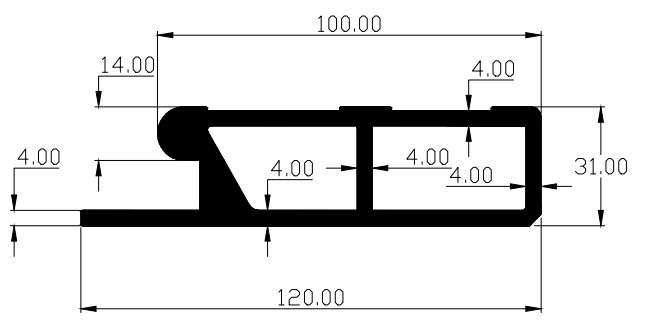
SECTION. NO	WT.Kgs/Mtr
30110	0.785



SECTION. NO	WT.Kgs/Mtr
30112	2.559

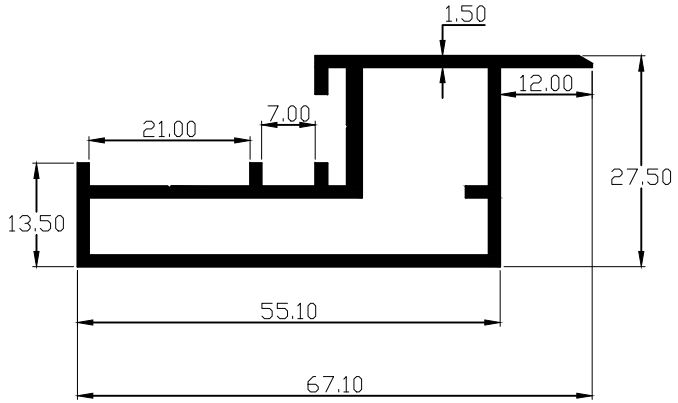


SECTION. NO	WT.Kgs/Mtr
30111	3.601

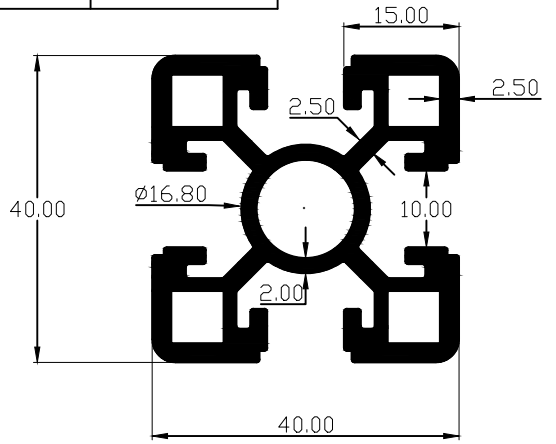


PARAGON ALUMINIUM L.L.P

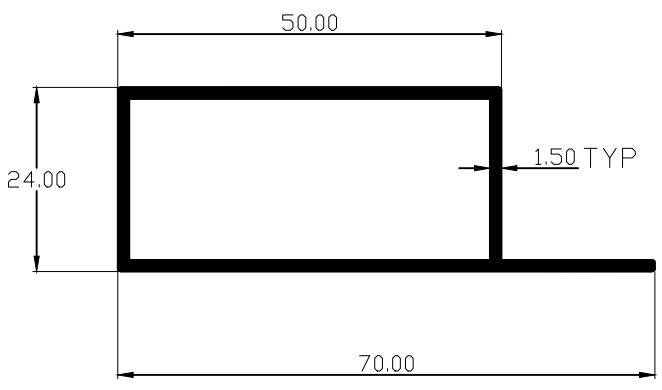
SECTION. NO	WT.Kgs/Mtr
30114	0.793



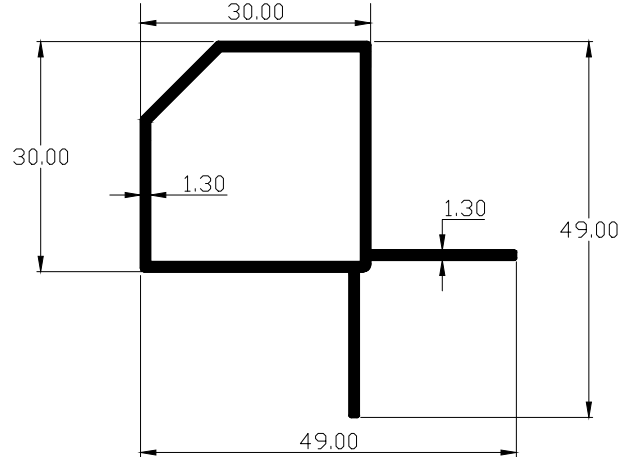
SECTION. NO	WT.Kgs/Mtr
30115	1.643



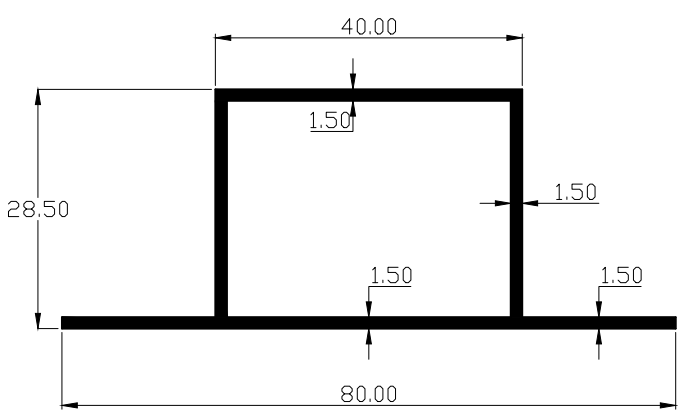
SECTION. NO	WT.Kgs/Mtr
30116	0.655



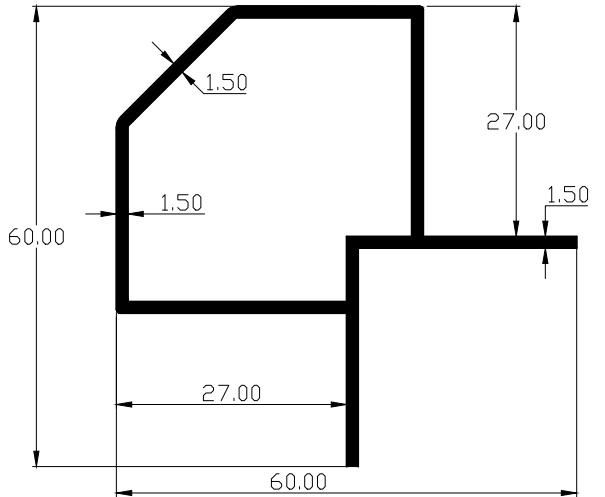
SECTION. NO	WT.Kgs/Mtr
30117	0.516



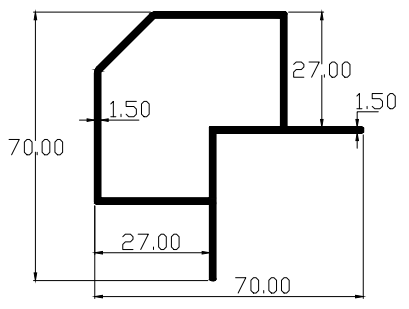
SECTION. NO	WT.Kgs/Mtr
30118	0.691



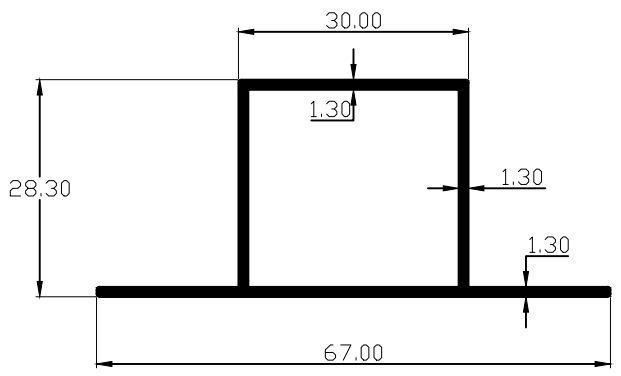
SECTION. NO	WT.Kgs/Mtr
30119	0.749



SECTION. NO	WT.Kgs/Mtr
30120	0.911

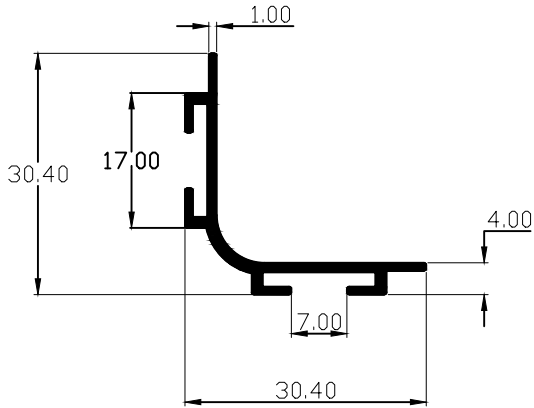


SECTION. NO	WT.Kgs/Mtr
30121	0.520

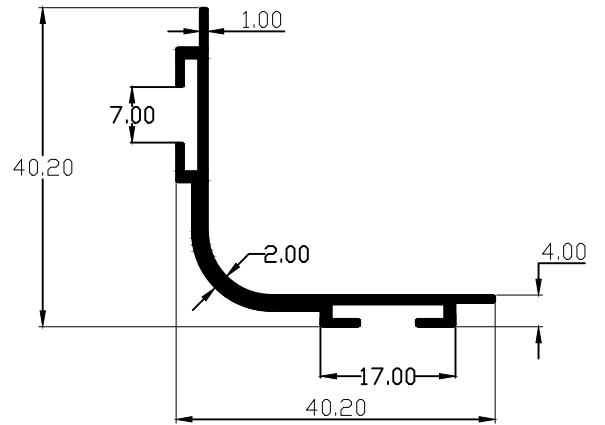


PARAGON ALUMINIUM L.L.P

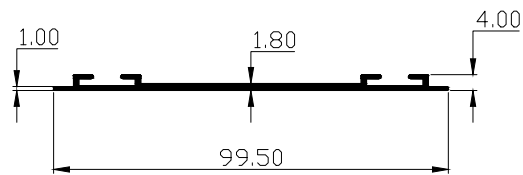
SECTION. NO	WT.Kgs/Mtr
30122	0.248



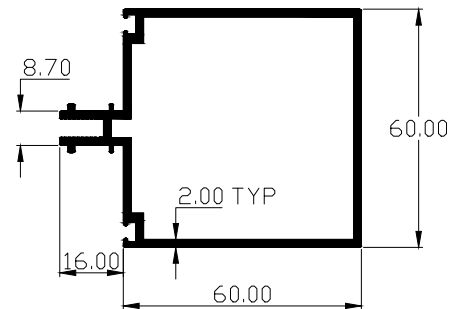
SECTION. NO	WT.Kgs/Mtr
30123	0.360



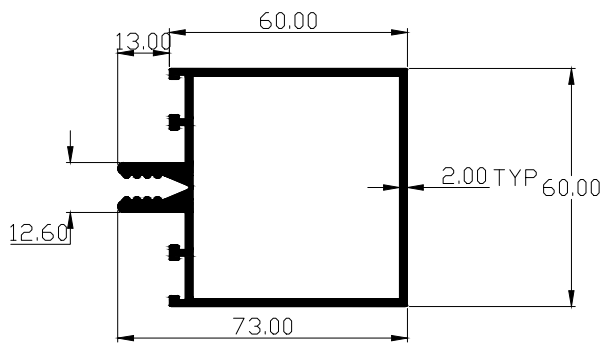
SECTION. NO	WT.Kgs/Mtr
30124	0.485



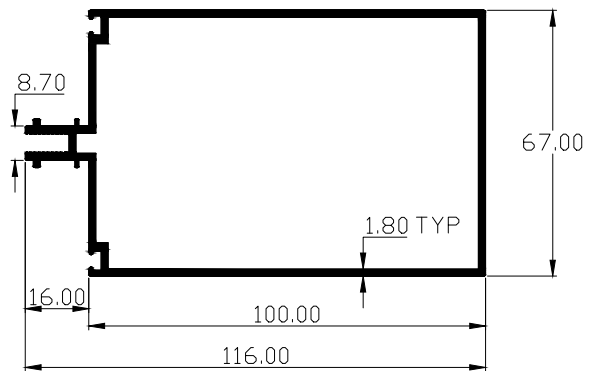
SECTION. NO	WT.Kgs/Mtr
30125	1.490



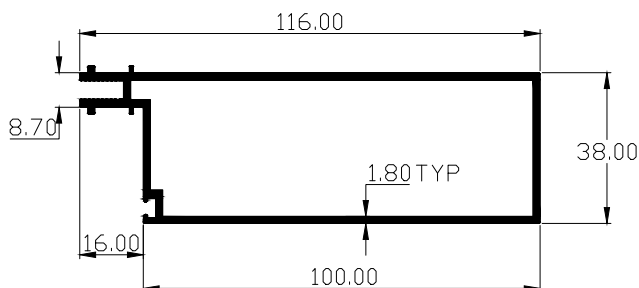
SECTION. NO	WT.Kgs/Mtr
30126	1.669



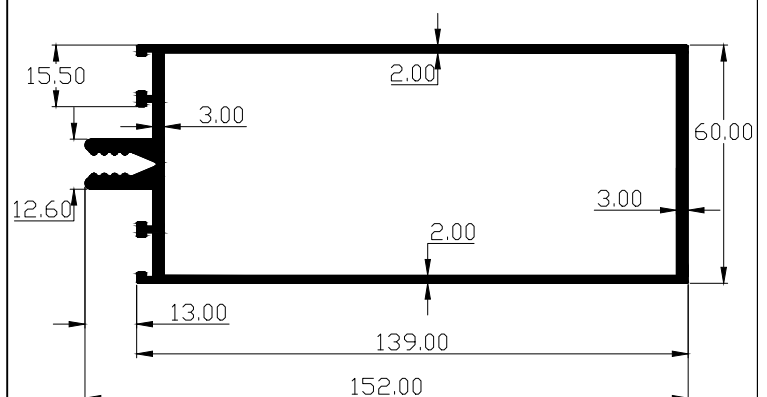
SECTION. NO	WT.Kgs/Mtr
30127	1.820



SECTION. NO	WT.Kgs/Mtr
30128	

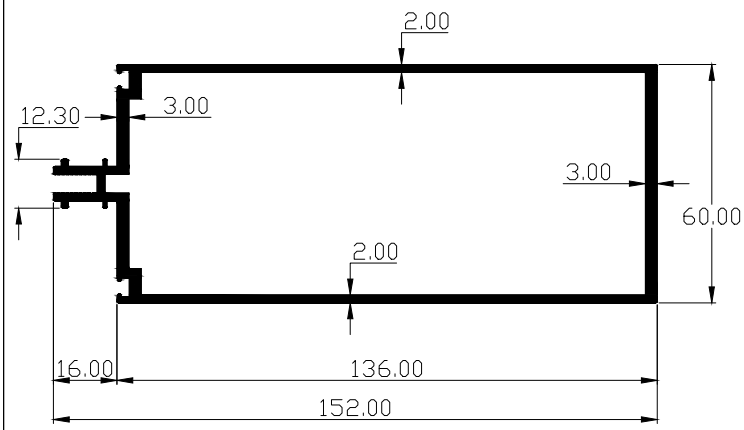


SECTION. NO	WT.Kgs/Mtr
30129	2.825

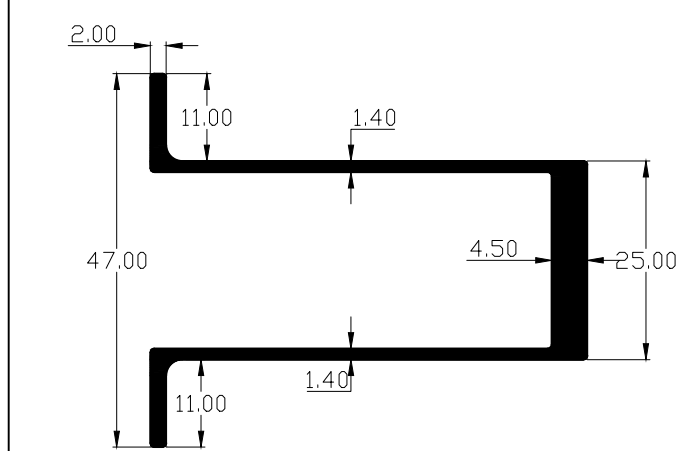


PARAGON ALUMINIUM L.L.P

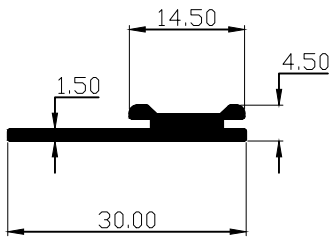
SECTION. NO	WT.Kgs/Mtr
30130	2.600



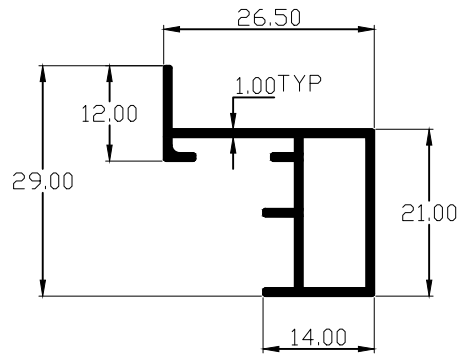
SECTION. NO	WT.Kgs/Mtr
30131	0.801



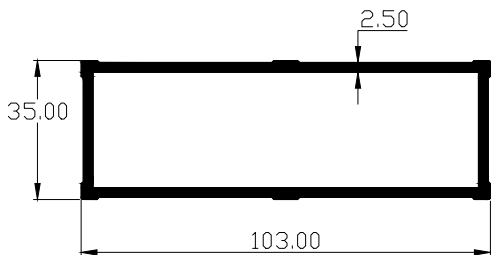
SECTION. NO	WT.Kgs/Mtr
30132	0.191



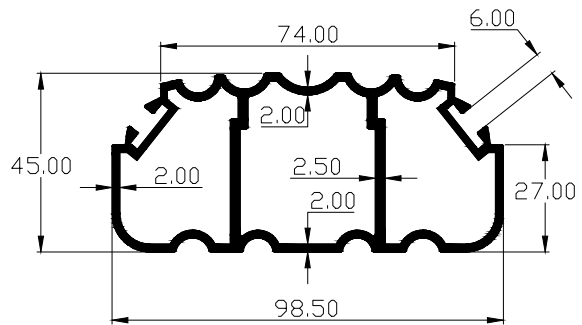
SECTION. NO	WT.Kgs/Mtr
30133	0.268



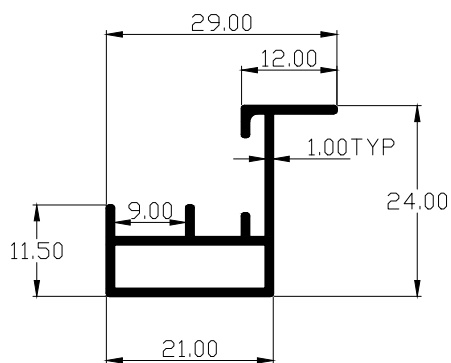
SECTION. NO	WT.Kgs/Mtr
30134	1.828



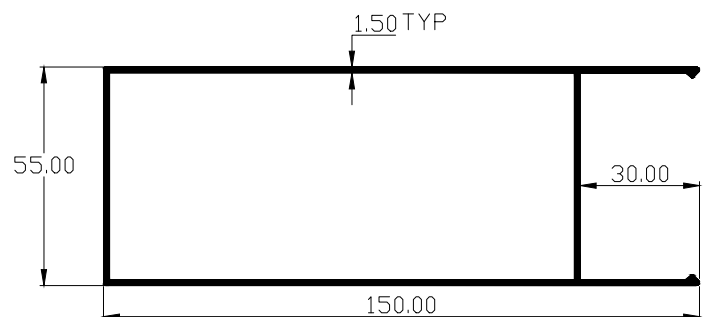
SECTION. NO	WT.Kgs/Mtr
30135	2.179



SECTION. NO	WT.Kgs/Mtr
30136	0.254



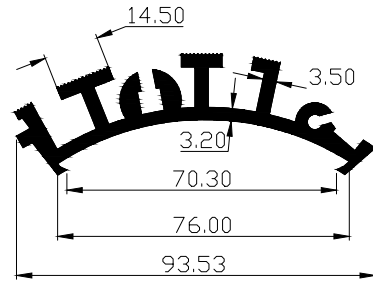
SECTION. NO	WT.Kgs/Mtr
30137	1.646



PARAGON ALUMINIUM L.L.P

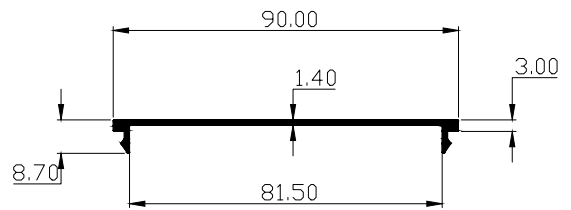
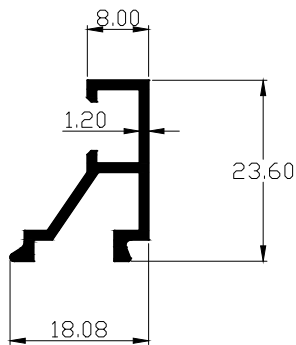
SECTION. NO	WT.Kgs/Mtr

SECTION. NO	WT.Kgs/Mtr
30147	1.976



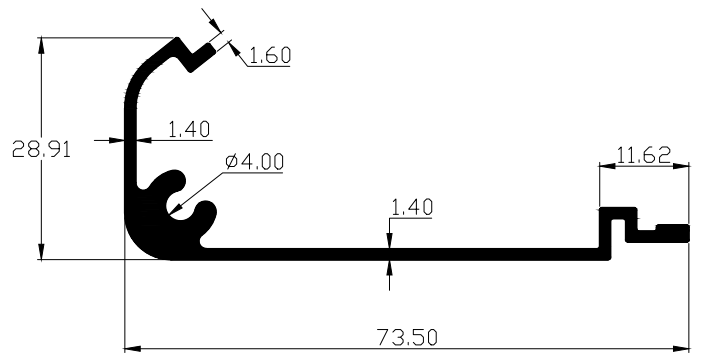
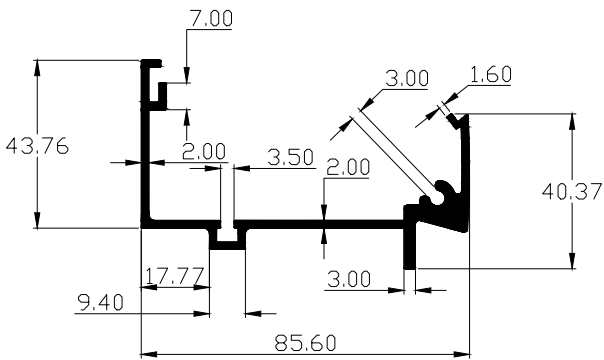
SECTION. NO	WT.Kgs/Mtr
30148	0.204

SECTION. NO	WT.Kgs/Mtr
30149	0.422



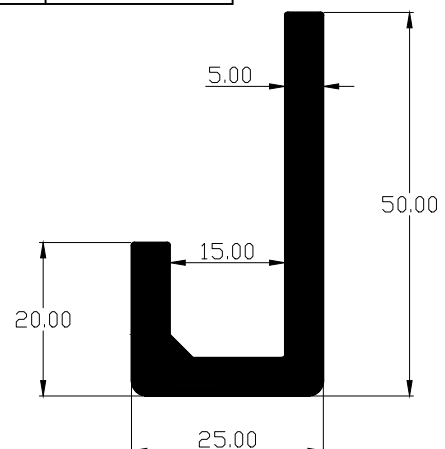
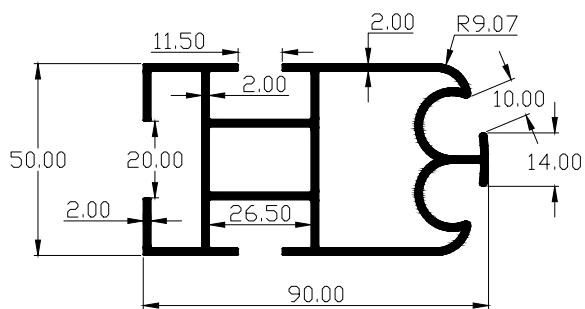
SECTION. NO	WT.Kgs/Mtr
30150	1.300

SECTION. NO	WT.Kgs/Mtr
30151	0.612



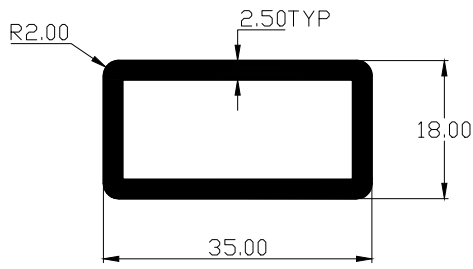
SECTION. NO	WT.Kgs/Mtr
30152	2.186

SECTION. NO	WT.Kgs/Mtr
30153	1.154

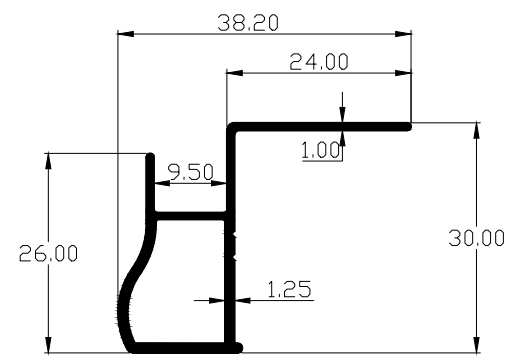


PARAGON ALUMINIUM L.L.P

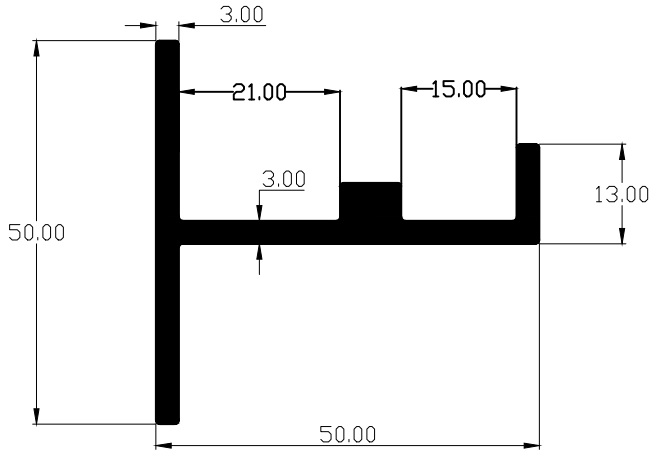
SECTION. NO	WT.Kgs/Mtr
30154	0.638



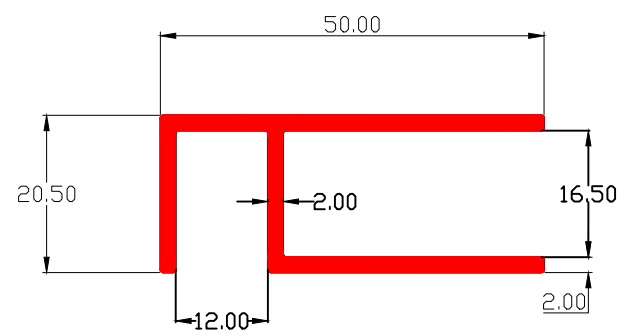
SECTION. NO	WT.Kgs/Mtr
30155	0.303



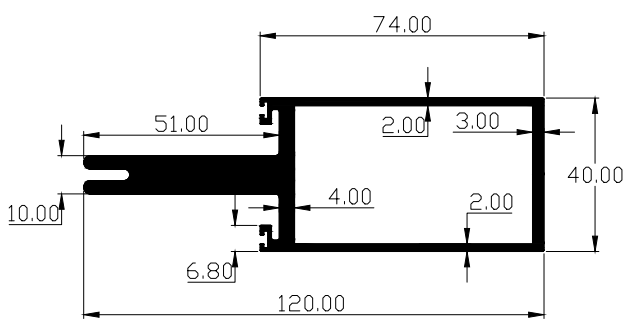
SECTION. NO	WT.Kgs/Mtr
30156	0.973



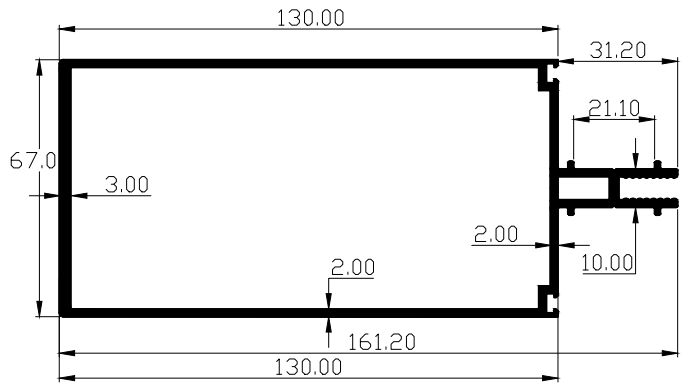
SECTION. NO	WT.Kgs/Mtr
30157	0.653



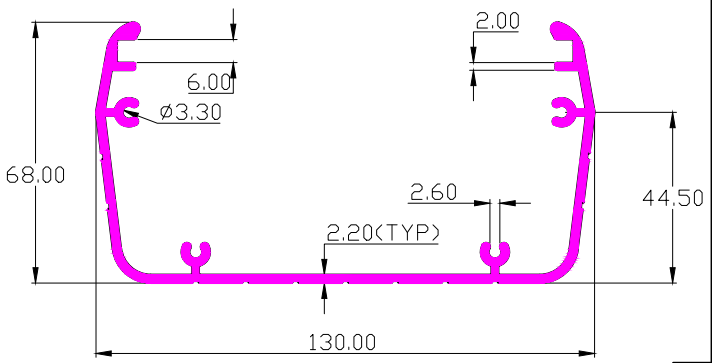
SECTION. NO	WT.Kgs/Mtr
30158	2.807



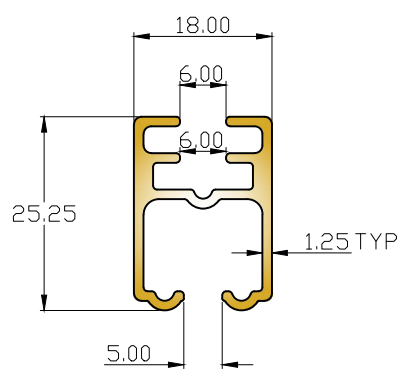
SECTION. NO	WT.Kgs/Mtr
30159	2.697



SECTION. NO	WT.Kgs/Mtr
30160	1.931

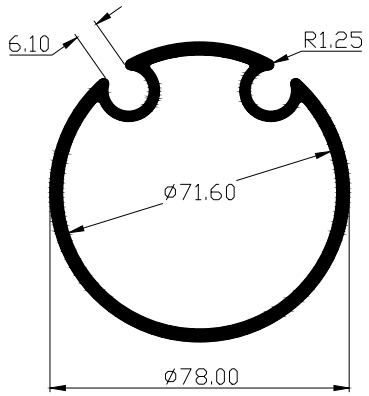


SECTION. NO	WT.Kgs/Mtr
30161	0.358

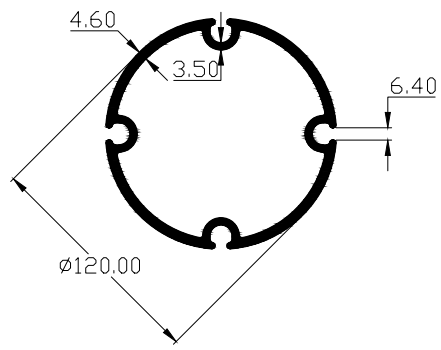


PARAGON ALUMINIUM L.L.P

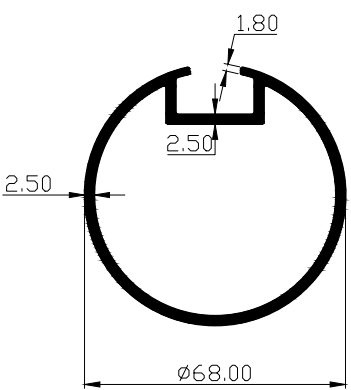
SECTION. NO	WT.Kgs/Mtr
30162	2.282



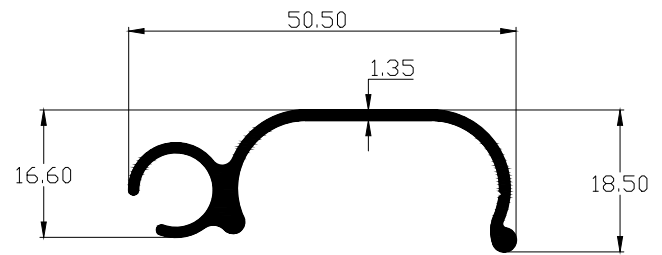
SECTION. NO	WT.Kgs/Mtr
30163	5.125



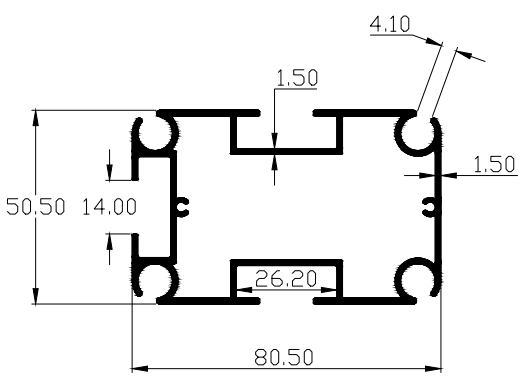
SECTION. NO	WT.Kgs/Mtr
30164	1.568



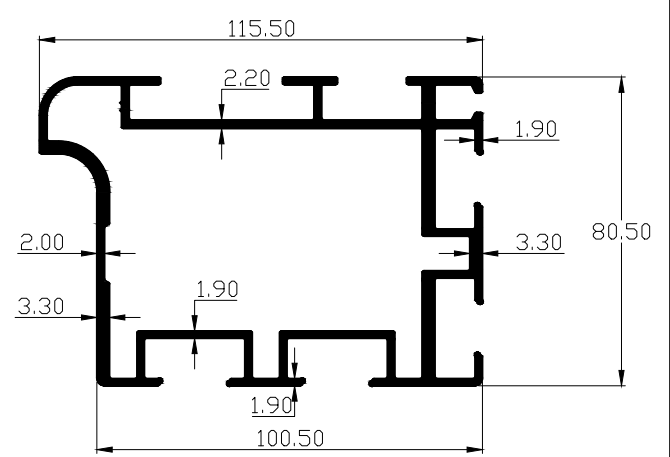
SECTION. NO	WT.Kgs/Mtr
30165	0.360



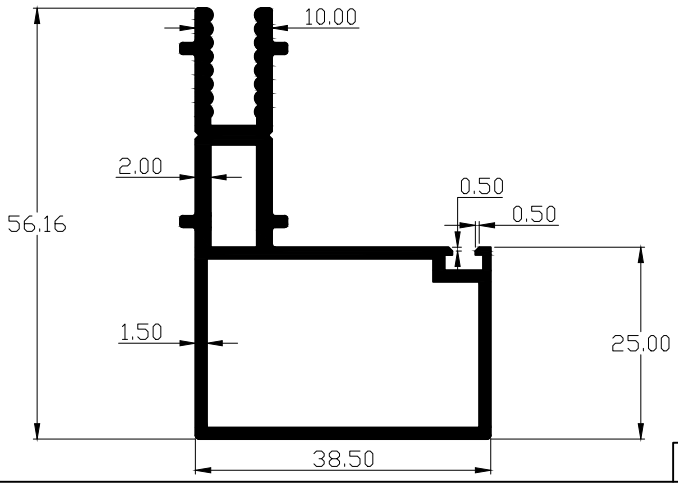
SECTION. NO	WT.Kgs/Mtr
30166	1.640



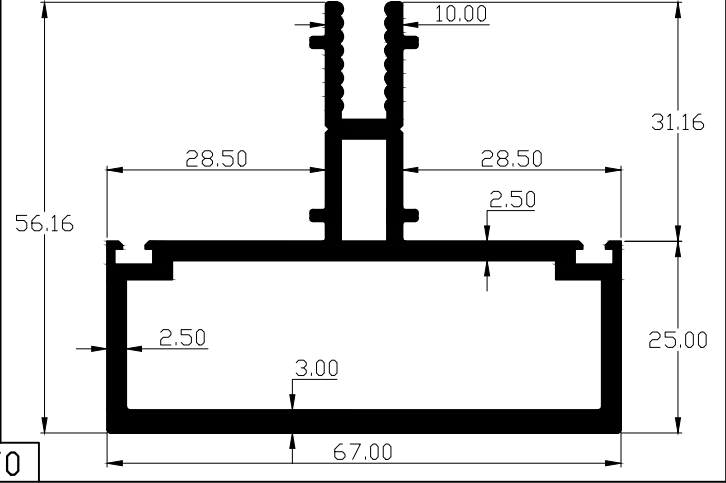
SECTION. NO	WT.Kgs/Mtr
30167	3.453



SECTION. NO	WT.Kgs/Mtr
30168	0.918

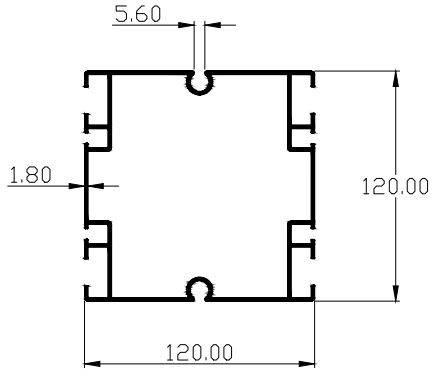


SECTION. NO	WT.Kgs/Mtr
30169	1.683

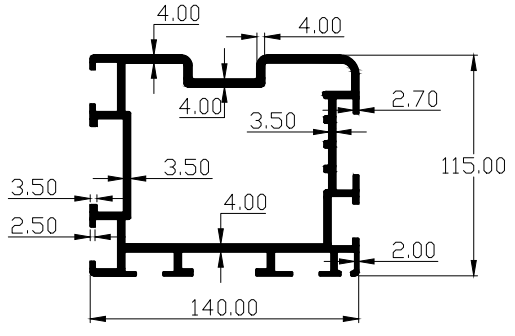


PARAGON ALUMINIUM L.L.P

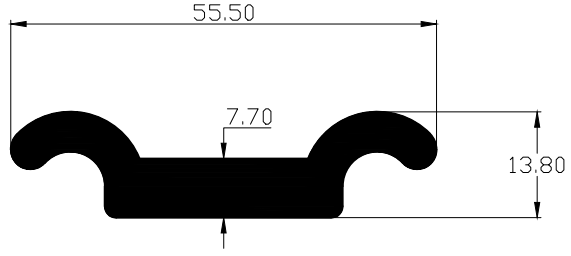
SECTION. NO	WT.Kgs/Mtr
30170	3.292



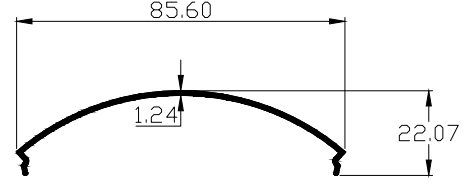
SECTION. NO	WT.Kgs/Mtr
30171	6.750



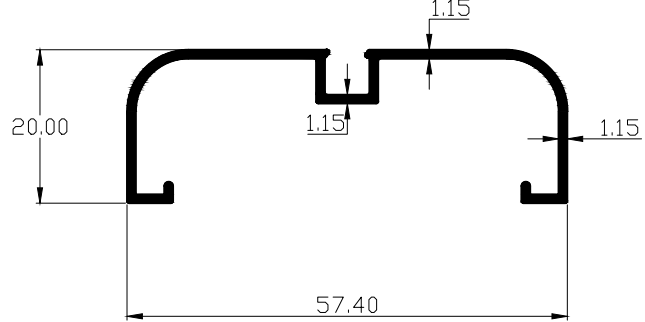
SECTION. NO	WT.Kgs/Mtr
30172	1.079



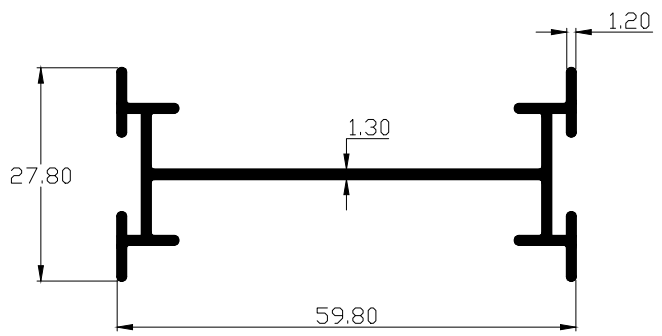
SECTION. NO	WT.Kgs/Mtr
30173	0.352



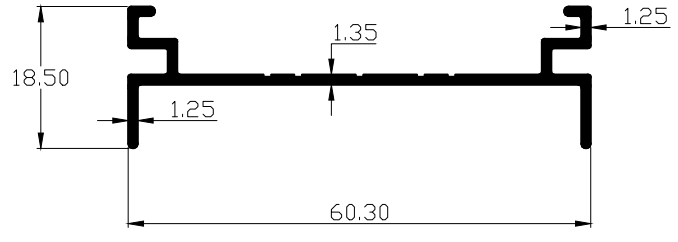
SECTION. NO	WT.Kgs/Mtr
30174	0.352



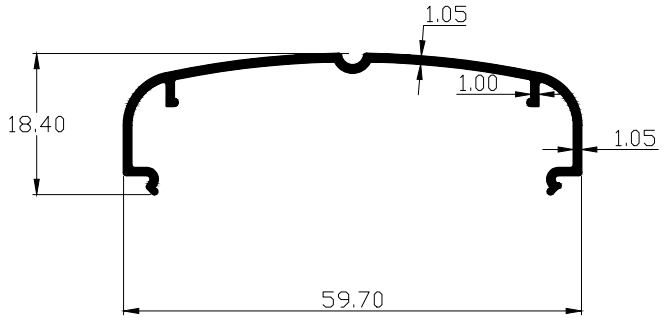
SECTION. NO	WT.Kgs/Mtr
30175	0.483



SECTION. NO	WT.Kgs/Mtr
30176	0.380

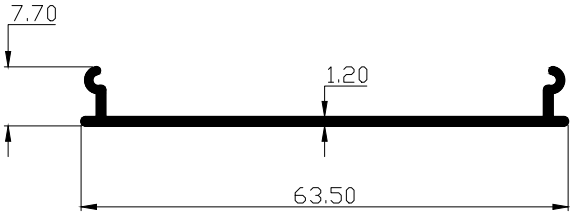


SECTION. NO	WT.Kgs/Mtr
30177	0.280

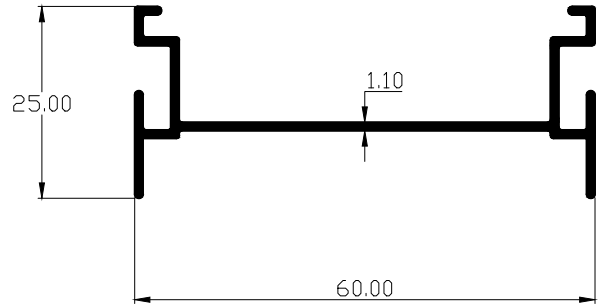


PARAGON ALUMINIUM L.L.P

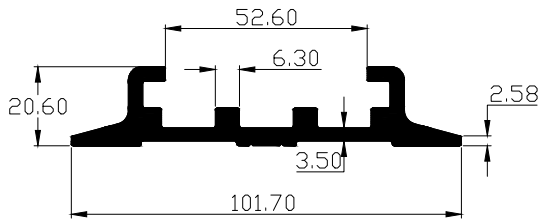
SECTION. NO	WT.Kgs/Mtr
30178	0.251



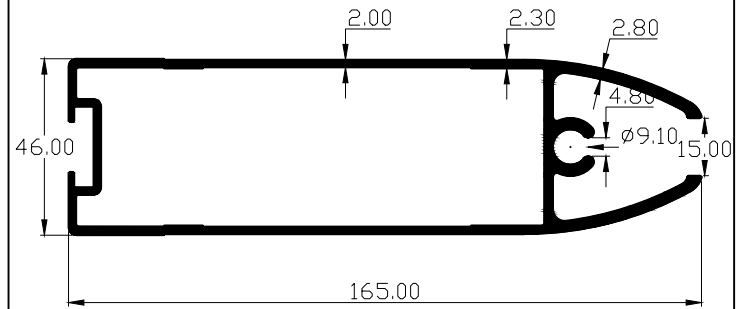
SECTION. NO	WT.Kgs/Mtr
30179	0.391



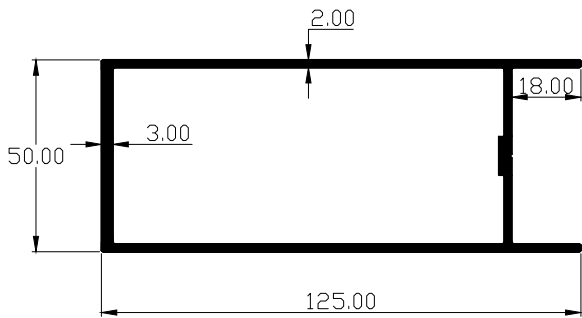
SECTION. NO	WT.Kgs/Mtr
30180	1.857



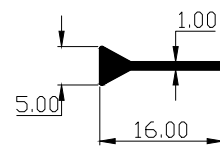
SECTION. NO	WT.Kgs/Mtr
30181	2.850



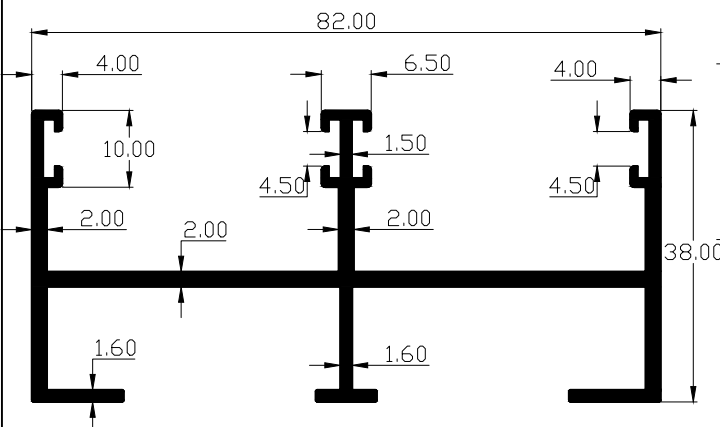
SECTION. NO	WT.Kgs/Mtr
30182	2.008



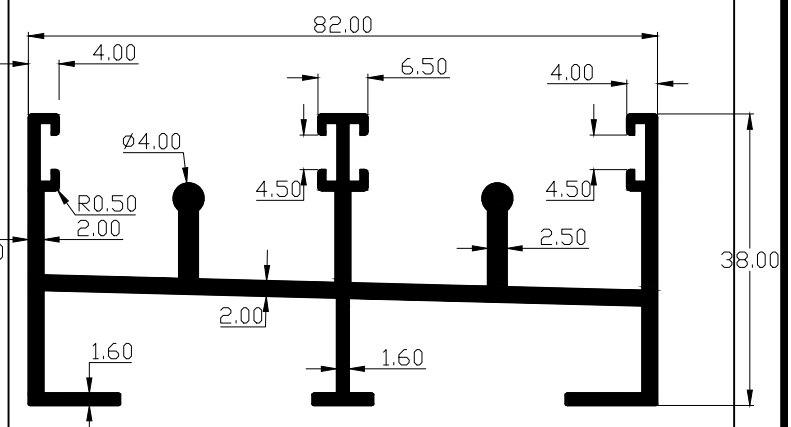
SECTION. NO	WT.Kgs/Mtr
30183	0.066



SECTION. NO	WT.Kgs/Mtr
30184	1.177

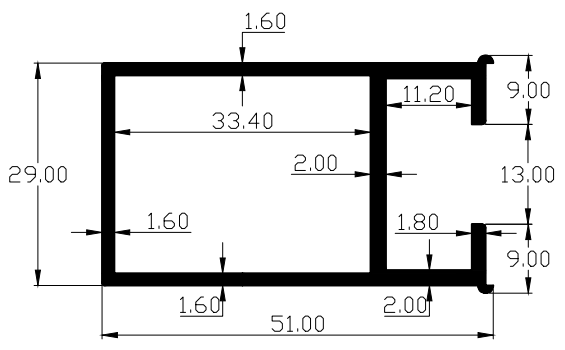


SECTION. NO	WT.Kgs/Mtr
30185	1.370

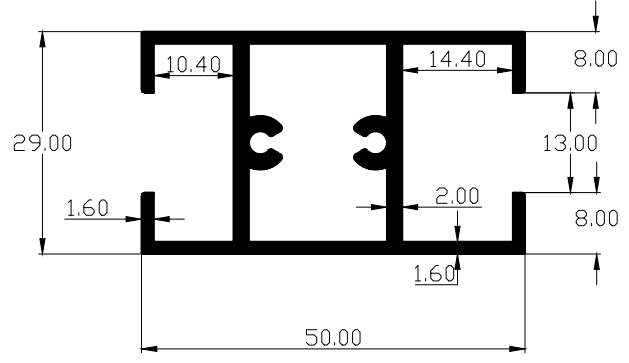


PARAGON ALUMINIUM L.L.P

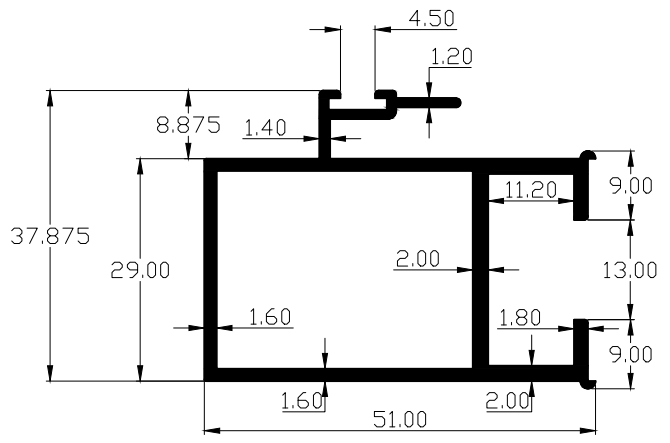
SECTION. NO	WT.Kgs/Mtr
30186	0.776



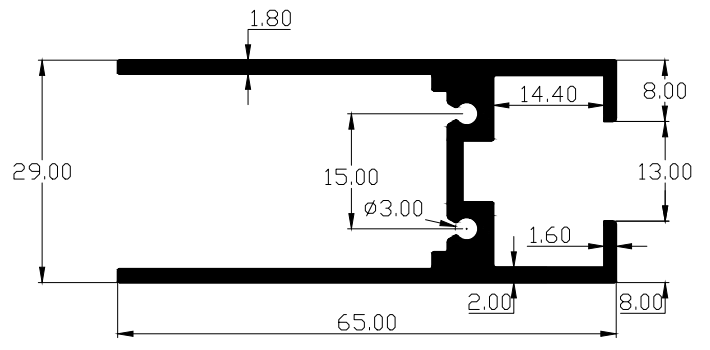
SECTION. NO	WT.Kgs/Mtr
30187	0.911



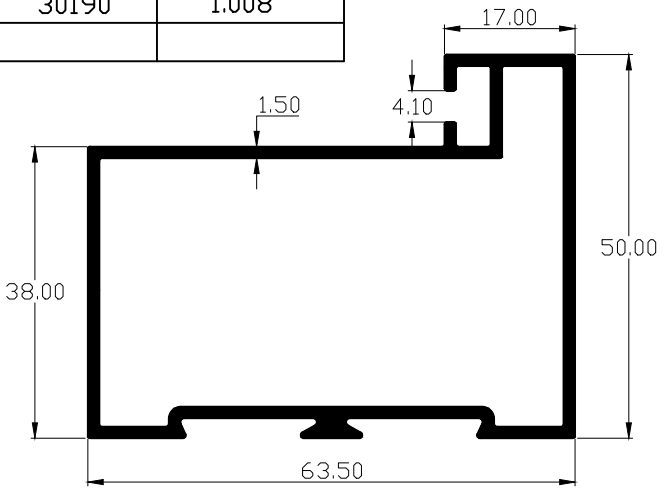
SECTION. NO	WT.Kgs/Mtr
30188	0.878



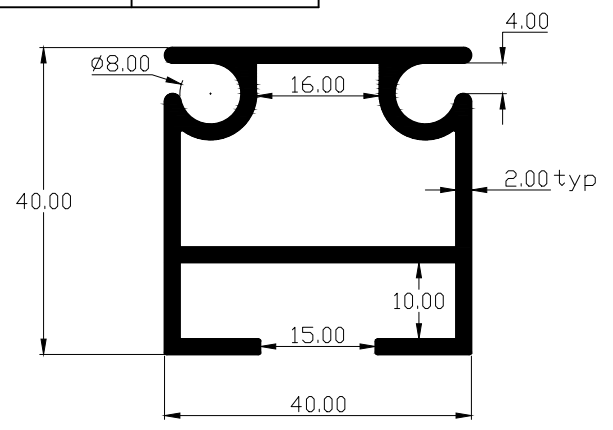
SECTION. NO	WT.Kgs/Mtr
30189	0.999



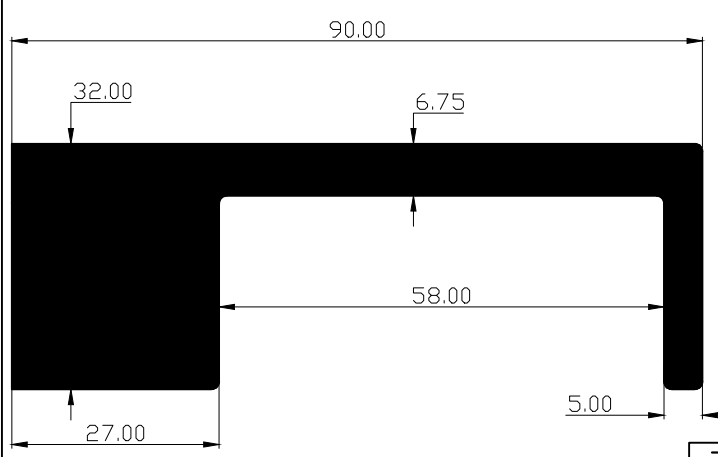
SECTION. NO	WT.Kgs/Mtr
30190	1.008



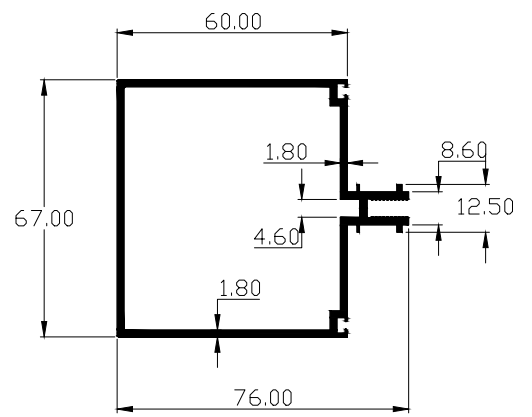
SECTION. NO	WT.Kgs/Mtr
30191	1.084



SECTION. NO	WT.Kgs/Mtr
30192	3.819

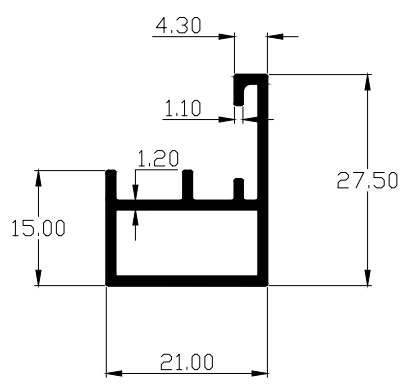


SECTION. NO	WT.Kgs/Mtr
30193	1.416

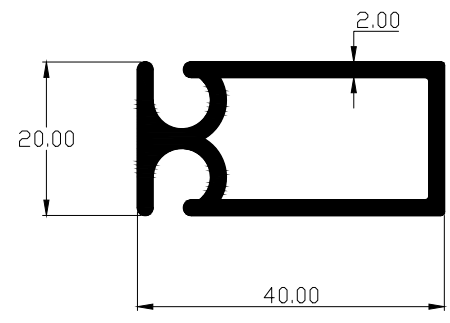


PARAGON ALUMINIUM L.L.P

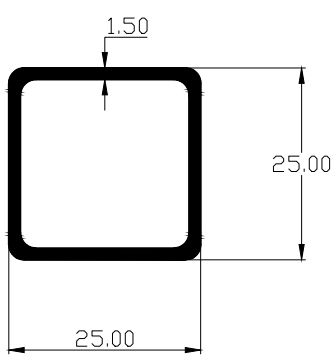
SECTION. NO	WT.Kgs/Mtr
30194	0.298



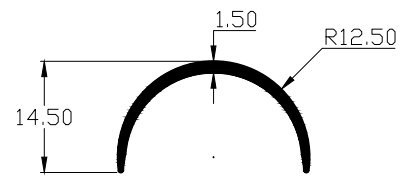
SECTION. NO	WT.Kgs/Mtr
30195	0.706



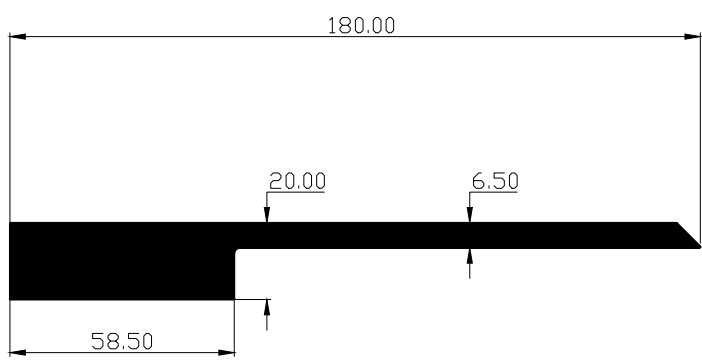
SECTION. NO	WT.Kgs/Mtr
30196	0.380



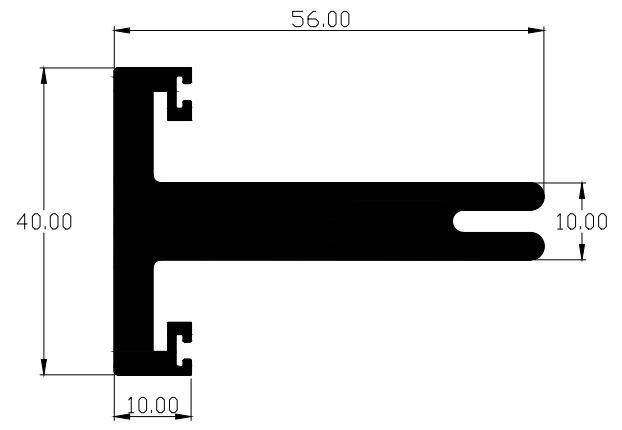
SECTION. NO	WT.Kgs/Mtr
30197	0.139



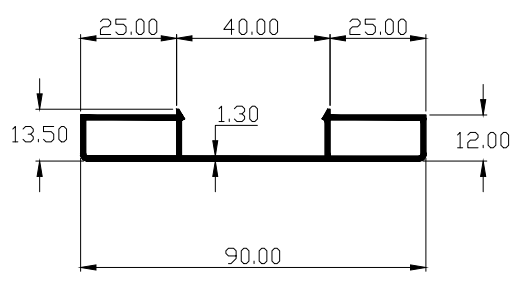
SECTION. NO	WT.Kgs/Mtr
30198	5.240



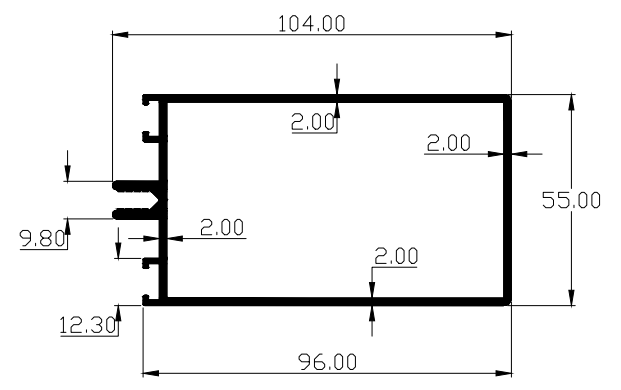
SECTION. NO	WT.Kgs/Mtr
30199	1.923



SECTION. NO	WT.Kgs/Mtr
30200	0.640

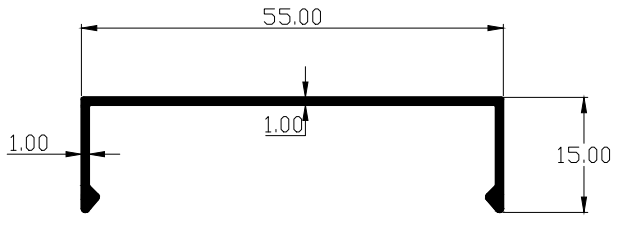


SECTION. NO	WT.Kgs/Mtr
30201	1.797

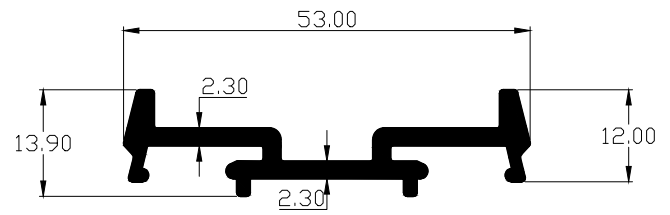


PARAGON ALUMINIUM L.L.P

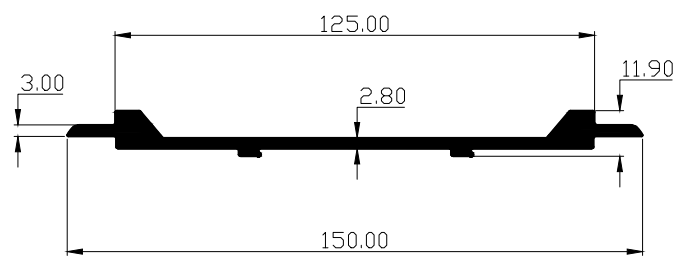
SECTION. NO	WT.Kgs/Mtr
30202	0.236



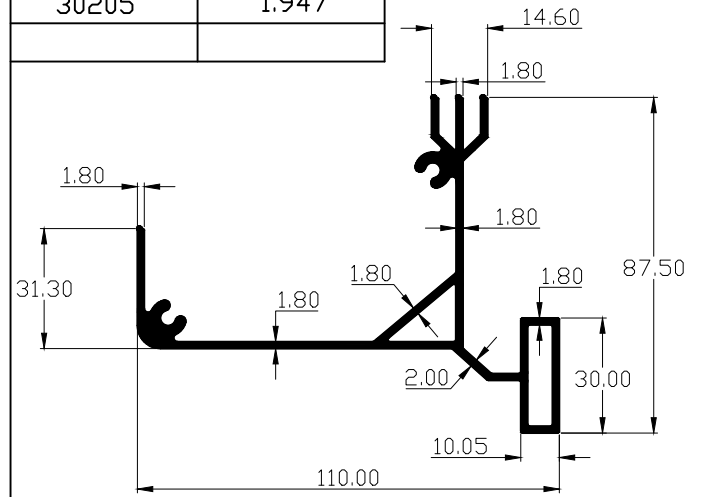
SECTION. NO	WT.Kgs/Mtr
30203	0.582



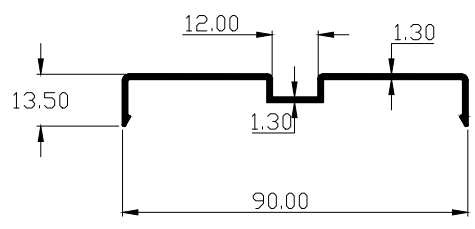
SECTION. NO	WT.Kgs/Mtr
30204	1.547



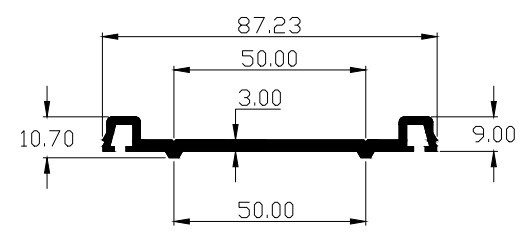
SECTION. NO	WT.Kgs/Mtr
30205	1.947



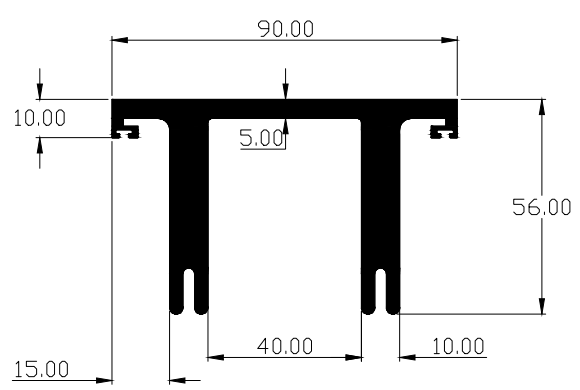
SECTION. NO	WT.Kgs/Mtr
30206	0.440



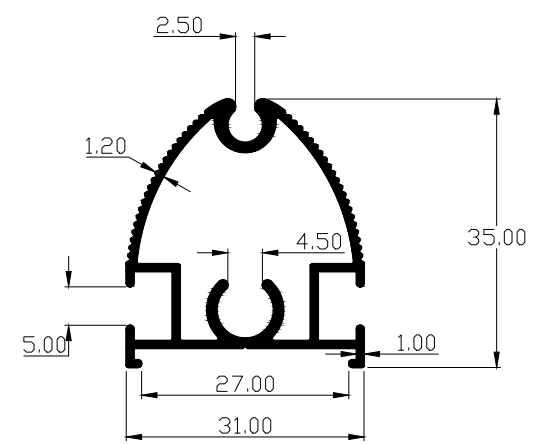
SECTION. NO	WT.Kgs/Mtr
30207	0.835



SECTION. NO	WT.Kgs/Mtr
30208	3.884

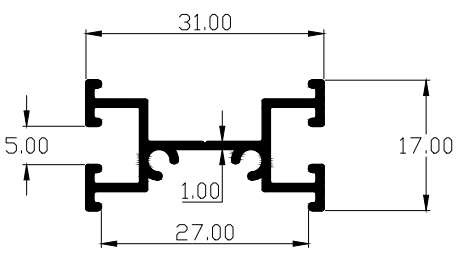


SECTION. NO	WT.Kgs/Mtr
30209	0.487

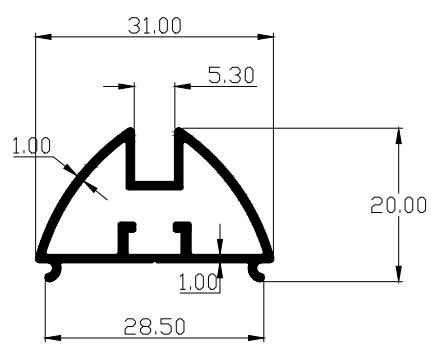


PARAGON ALUMINIUM L.L.P

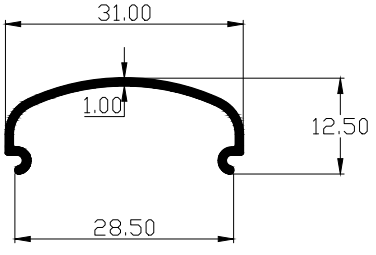
SECTION. NO	WT.Kgs/Mtr
30210	0.280



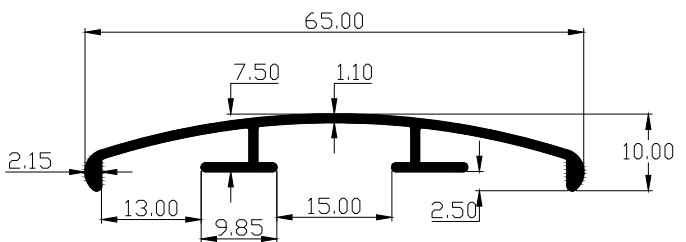
SECTION. NO	WT.Kgs/Mtr
30211	0.317



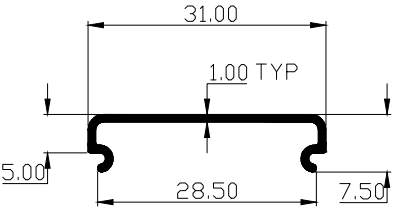
SECTION. NO	WT.Kgs/Mtr
30212	0.136



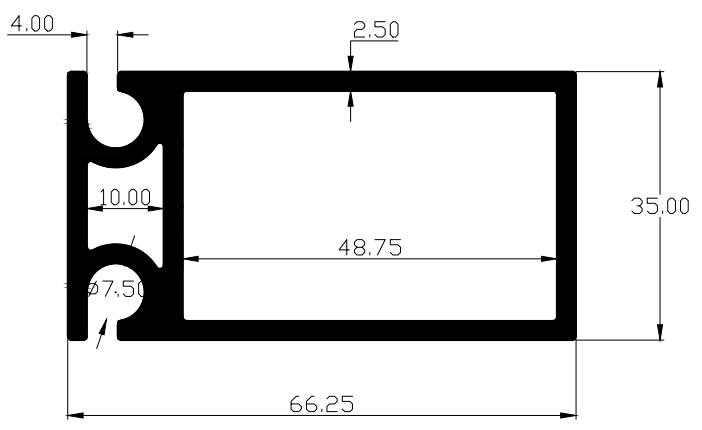
SECTION. NO	WT.Kgs/Mtr
30213	0.315



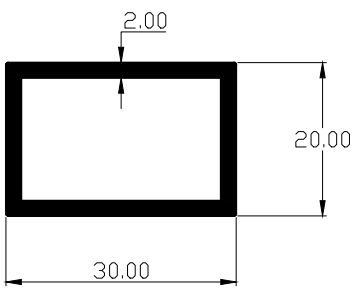
SECTION. NO	WT.Kgs/Mtr
30214	0.134



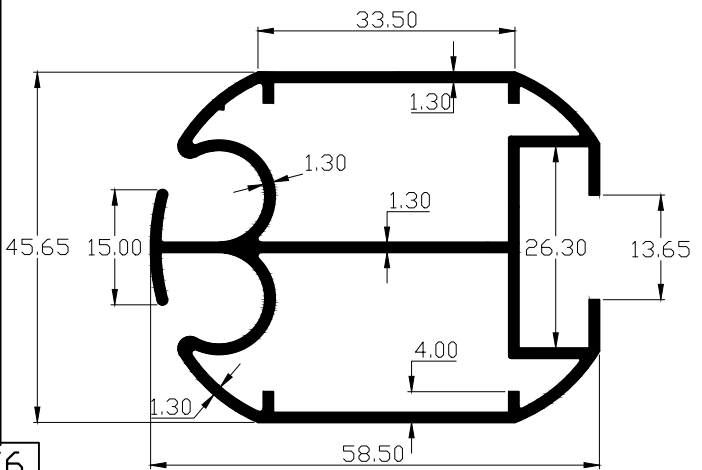
SECTION. NO	WT.Kgs/Mtr
30215	1.684



SECTION. NO	WT.Kgs/Mtr
30216	0.496

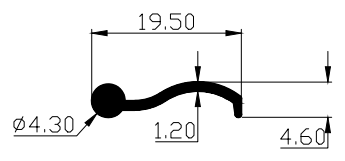


SECTION. NO	WT.Kgs/Mtr
30217	1.055

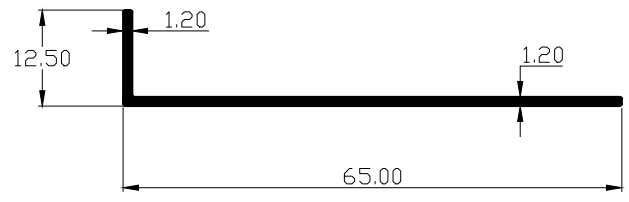


PARAGON ALUMINIUM L.L.P

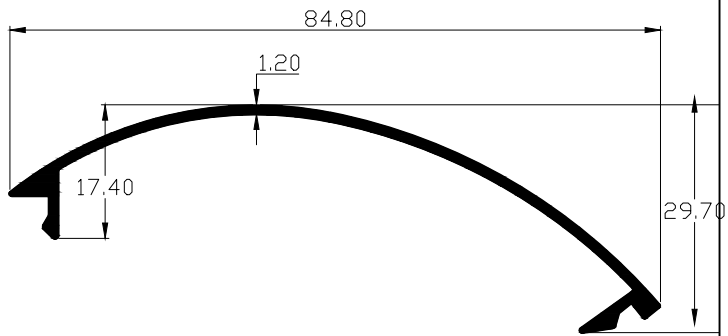
SECTION. NO	WT.Kgs/Mtr
30218	0.095



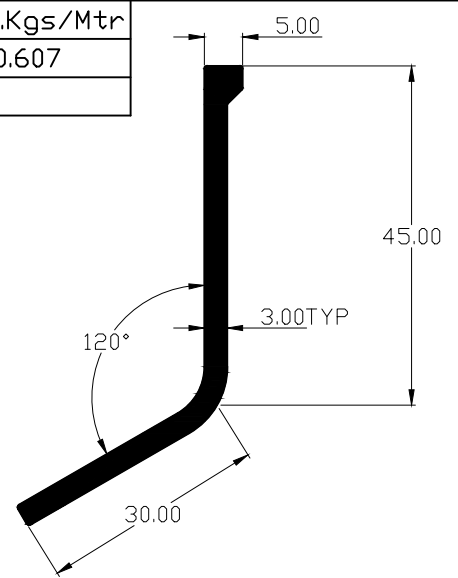
SECTION. NO	WT.Kgs/Mtr
30219	0.247



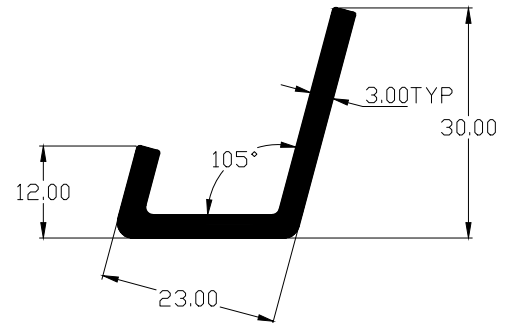
SECTION. NO	WT.Kgs/Mtr
30220	0.400



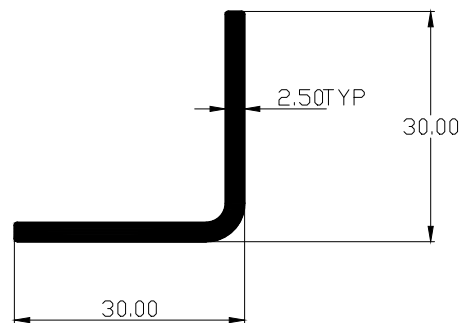
SECTION. NO	WT.Kgs/Mtr
30221	0.607



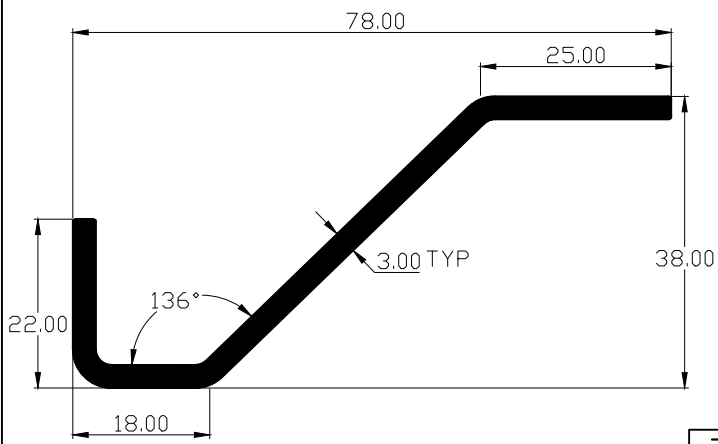
SECTION. NO	WT.Kgs/Mtr
30222	0.485



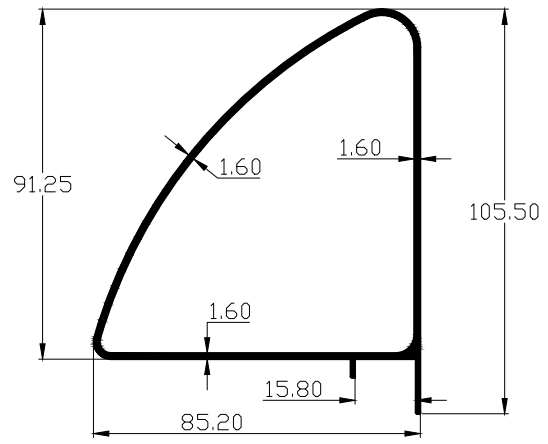
SECTION. NO	WT.Kgs/Mtr
30223	0.376



SECTION. NO	WT.Kgs/Mtr
30224	0.885

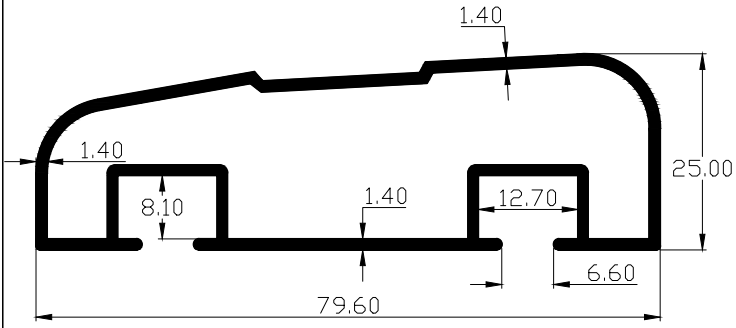


SECTION. NO	WT.Kgs/Mtr
30225	1.350

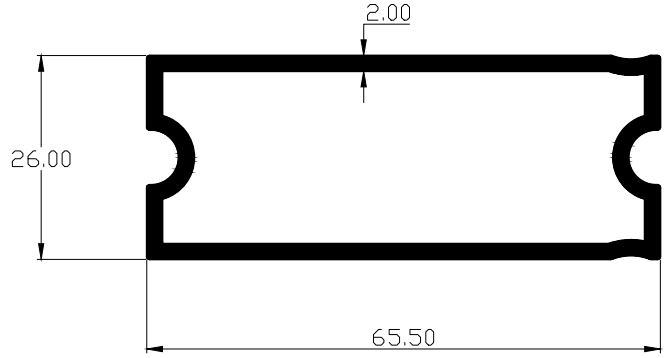


PARAGON ALUMINIUM L.L.P

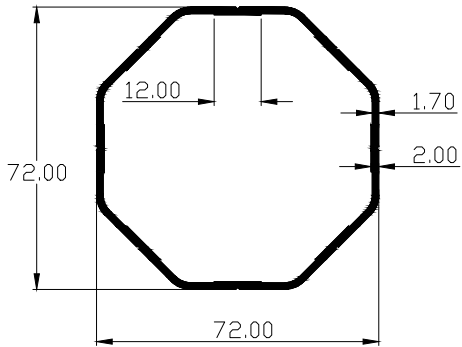
SECTION. NO	WT.Kgs/Mtr
30226	0.890



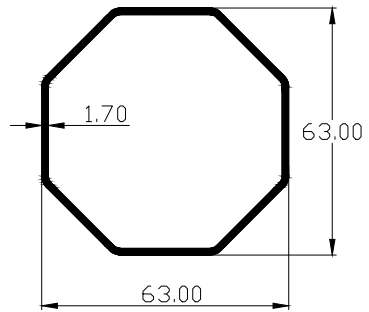
SECTION. NO	WT.Kgs/Mtr
30227	0.991



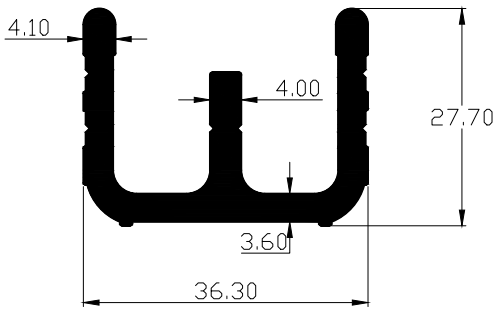
SECTION. NO	WT.Kgs/Mtr
30228	1.131



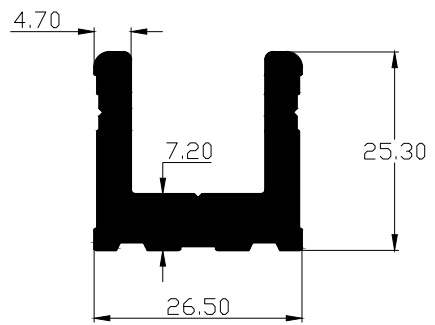
SECTION. NO	WT.Kgs/Mtr
30229	0.927



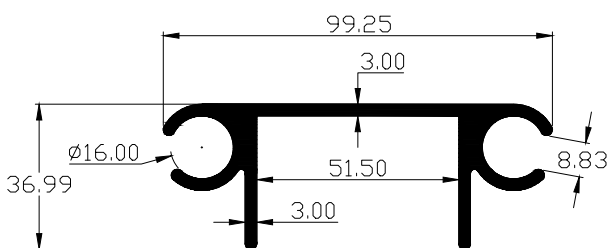
SECTION. NO	WT.Kgs/Mtr
30230	0.961



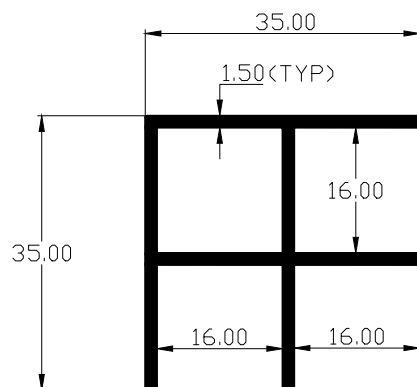
SECTION. NO	WT.Kgs/Mtr
30231	0.897



SECTION. NO	WT.Kgs/Mtr
30232	1.969

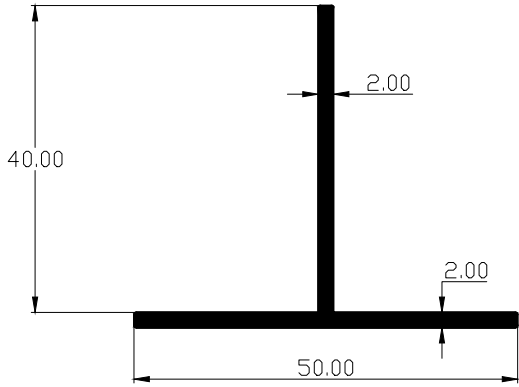


SECTION. NO	WT.Kgs/Mtr
30233	0.542

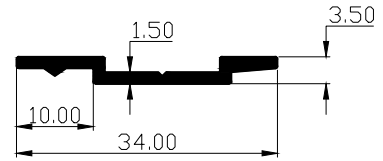


PARAGON ALUMINIUM L.L.P

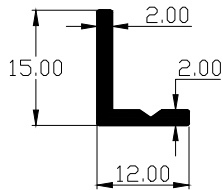
SECTION. NO	WT.Kgs/Mtr
30234	0.485



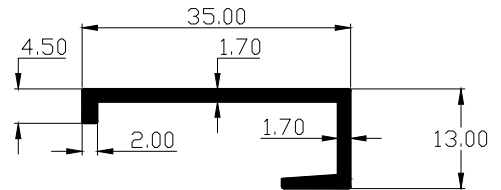
SECTION. NO	WT.Kgs/Mtr
30235	0.160



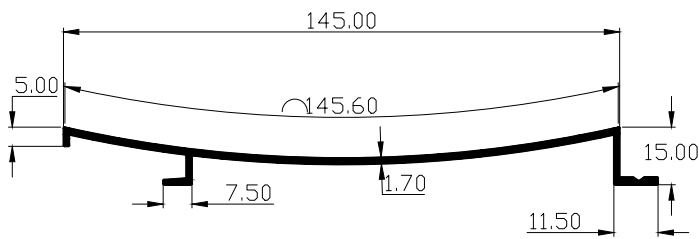
SECTION. NO	WT.Kgs/Mtr
30236	0.130



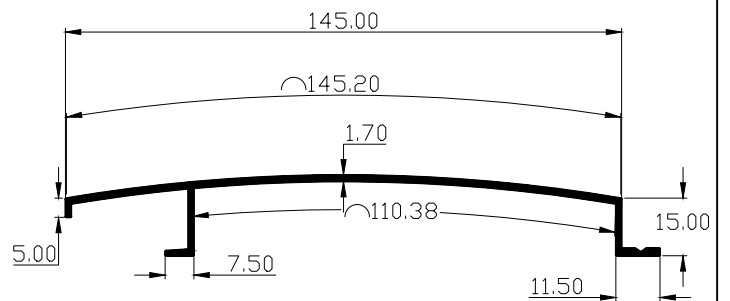
SECTION. NO	WT.Kgs/Mtr
30237	0.257



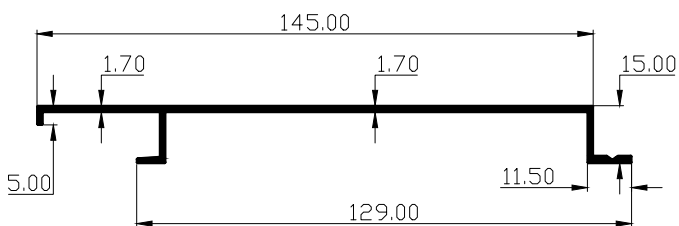
SECTION. NO	WT.Kgs/Mtr
30238	0.842



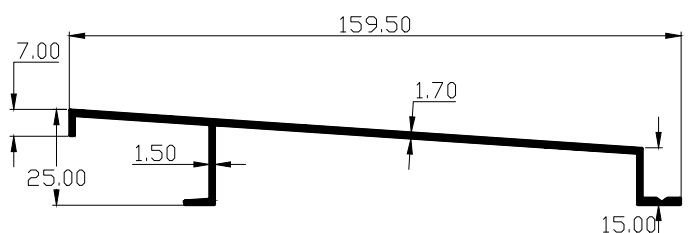
SECTION. NO	WT.Kgs/Mtr
30239	0.881



SECTION. NO	WT.Kgs/Mtr
30240	0.860

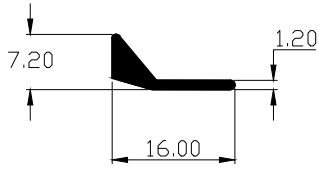


SECTION. NO	WT.Kgs/Mtr
30241	0.923

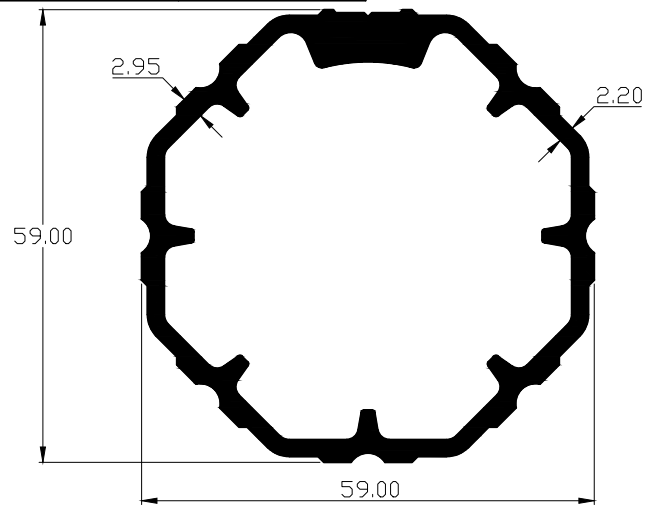


PARAGON ALUMINIUM L.L.P

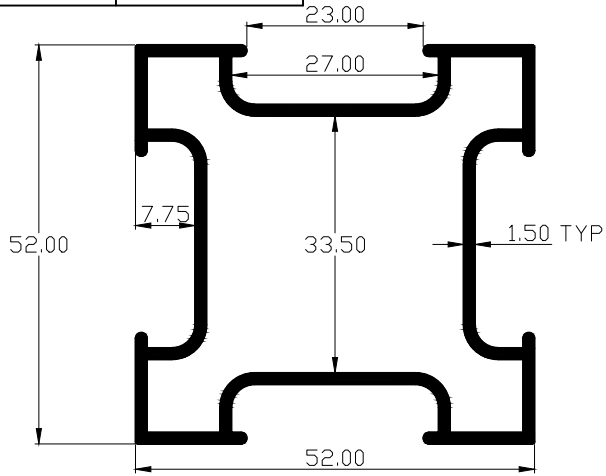
SECTION. NO	WT.Kgs/Mtr
30242	0.093



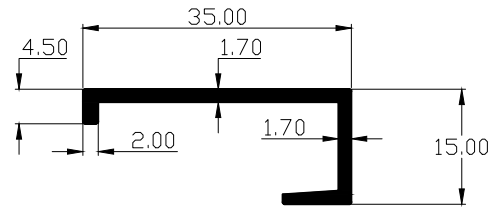
SECTION. NO	WT.Kgs/Mtr
30243	1.556



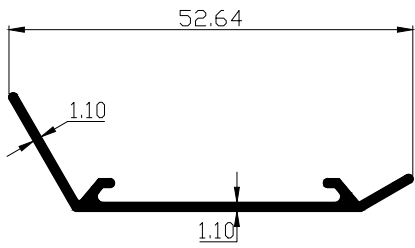
SECTION. NO	WT.Kgs/Mtr
30244	1.076



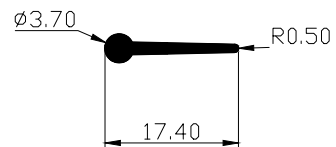
SECTION. NO	WT.Kgs/Mtr
30245	0.266



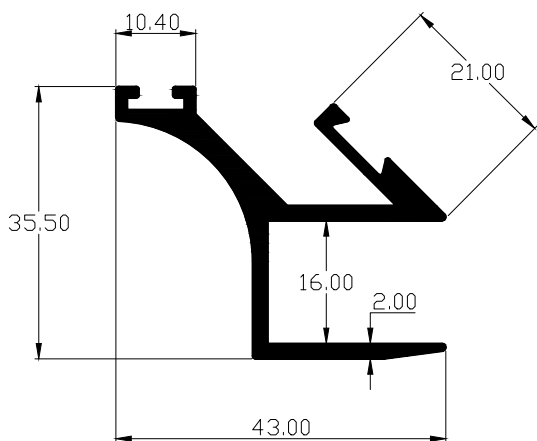
SECTION. NO	WT.Kgs/Mtr
30246	0.216



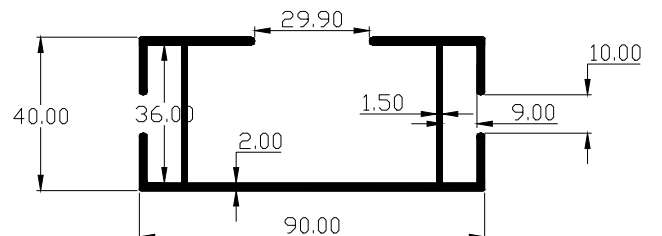
SECTION. NO	WT.Kgs/Mtr
30247	0.076



SECTION. NO	WT.Kgs/Mtr
30248	0.706

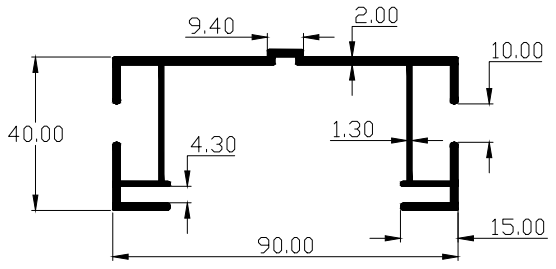


SECTION. NO	WT.Kgs/Mtr
30249	1.376

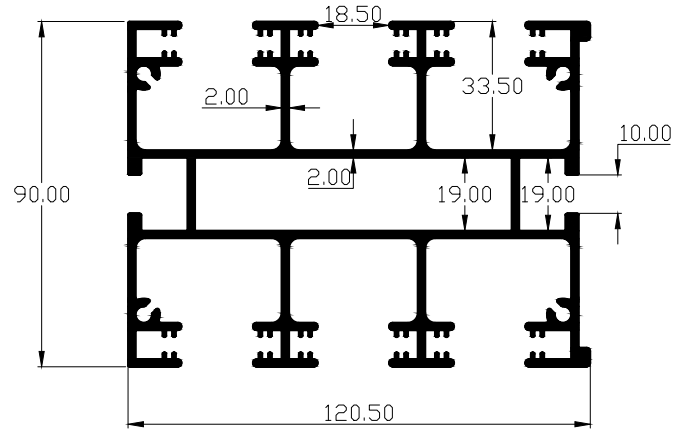


PARAGON ALUMINIUM L.L.P

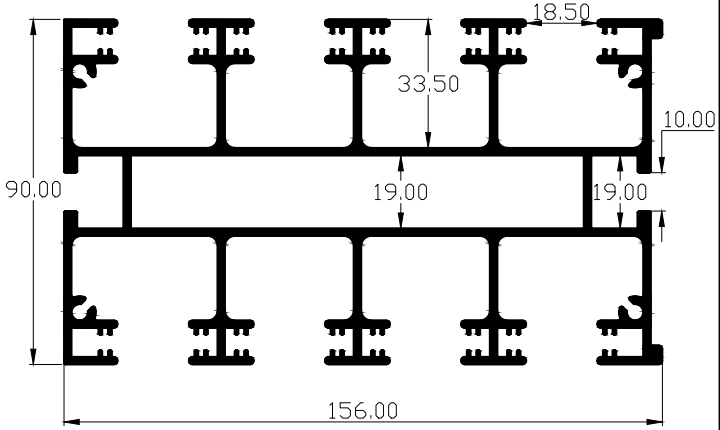
SECTION. NO	WT.Kgs/Mtr
30250	1.246



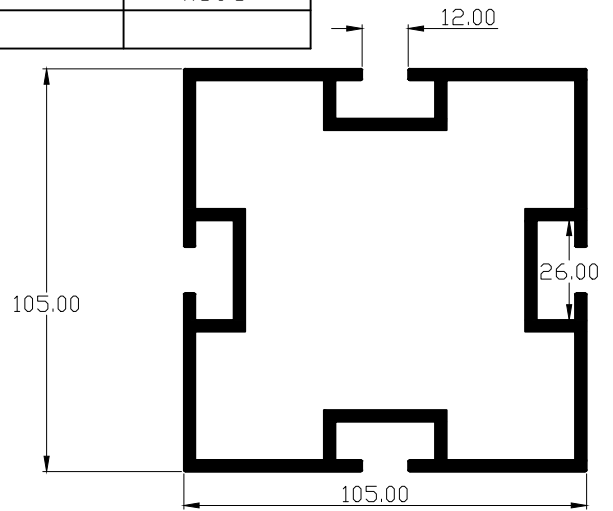
SECTION. NO	WT.Kgs/Mtr
30251	4.770



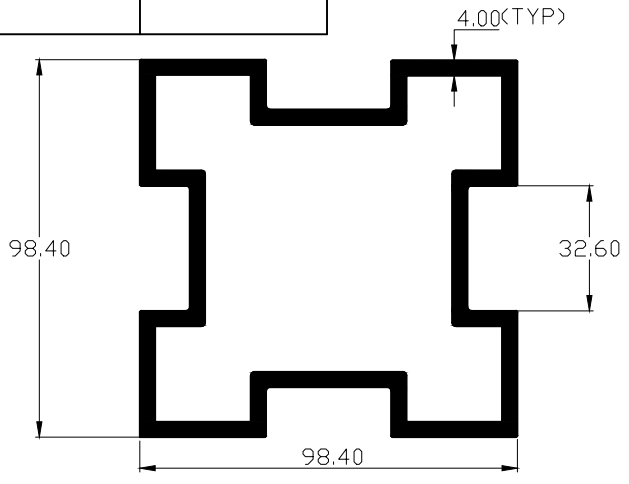
SECTION. NO	WT.Kgs/Mtr
30252	5.932



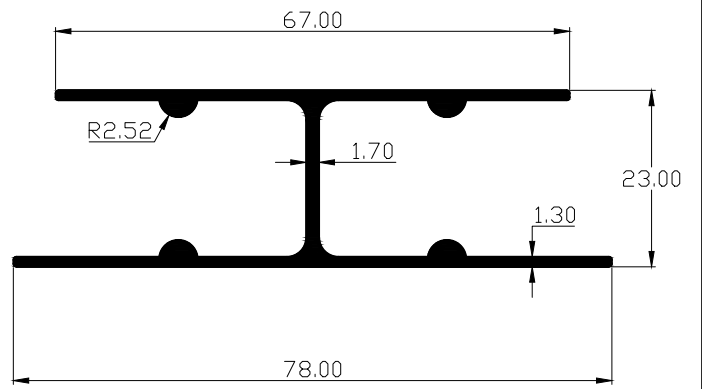
SECTION. NO	WT.Kgs/Mtr
30253	4.598



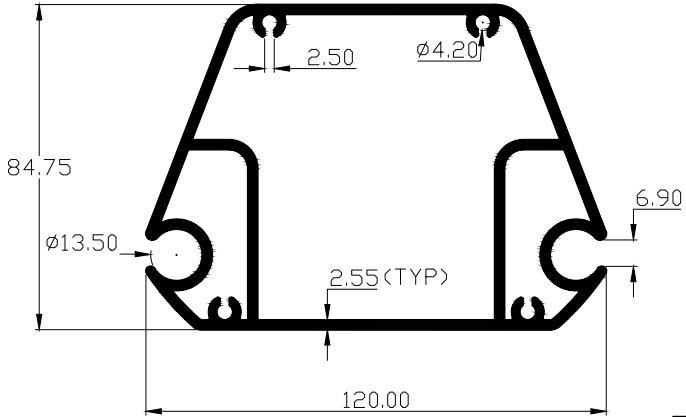
SECTION. NO	WT.Kgs/Mtr
30254	5.195



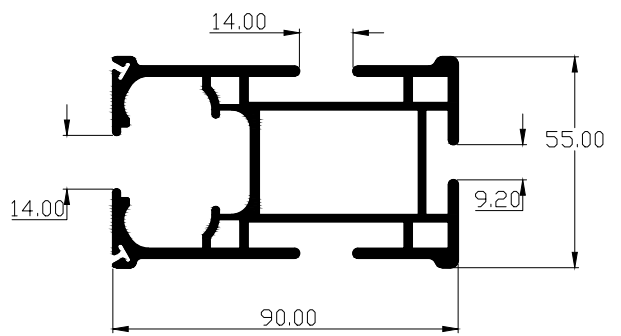
SECTION. NO	WT.Kgs/Mtr
30255	0.706



SECTION. NO	WT.Kgs/Mtr
30256	3.821

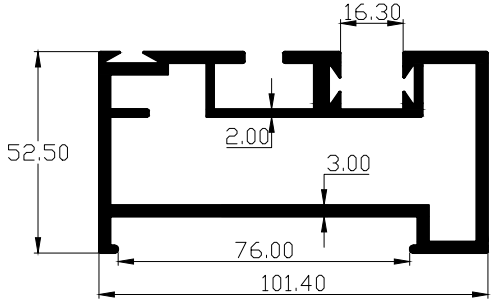


SECTION. NO	WT.Kgs/Mtr
30257	2.789

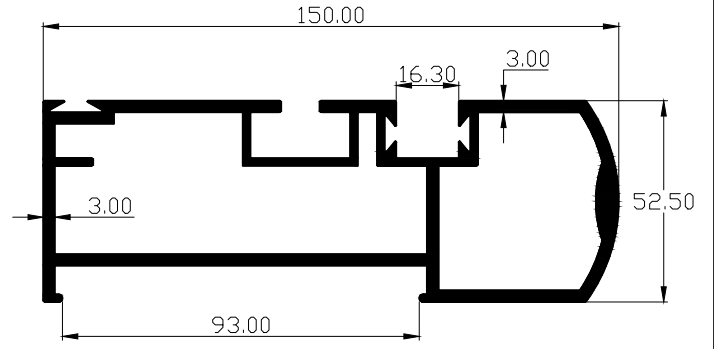


PARAGON ALUMINIUM L.L.P

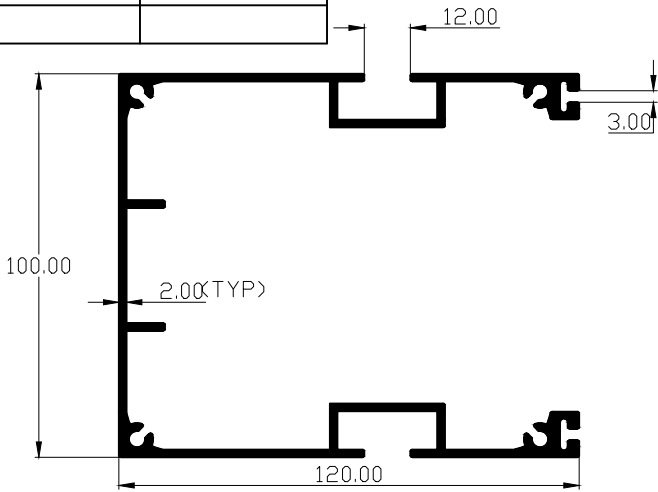
SECTION. NO	WT.Kgs/Mtr
30258	3.018



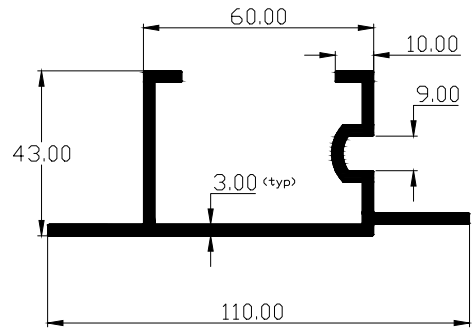
SECTION. NO	WT.Kgs/Mtr
30259	4.003



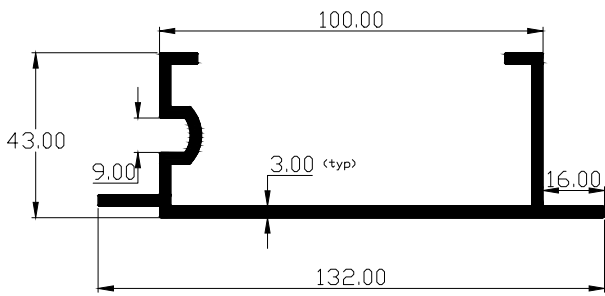
SECTION. NO	WT.Kgs/Mtr
30260	2.874



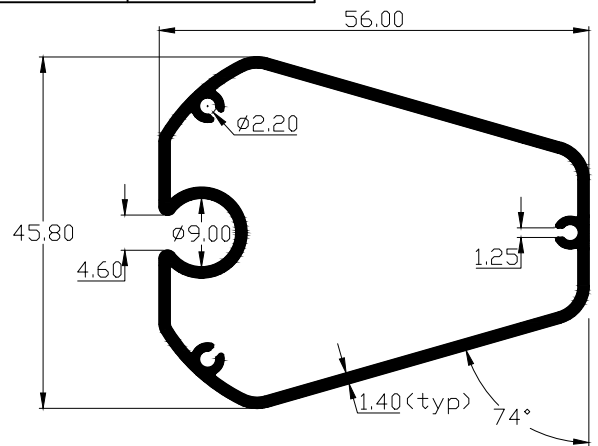
SECTION. NO	WT.Kgs/Mtr
30261	1.753



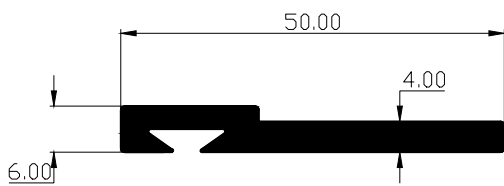
SECTION. NO	WT.Kgs/Mtr
30262	1.932



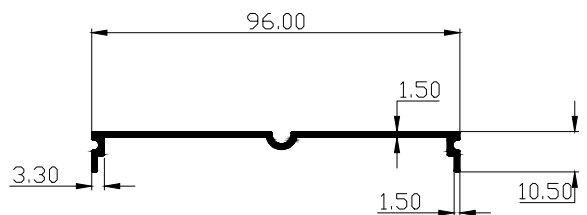
SECTION. NO	WT.Kgs/Mtr
30263	0.745



SECTION. NO	WT.Kgs/Mtr
30264	0.580

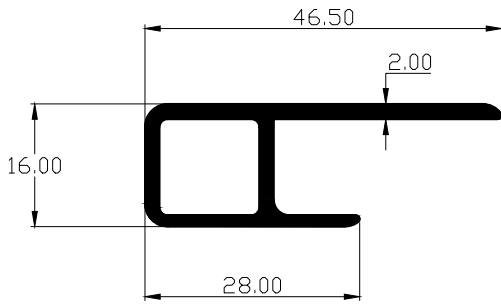


SECTION. NO	WT.Kgs/Mtr
30265	0.501

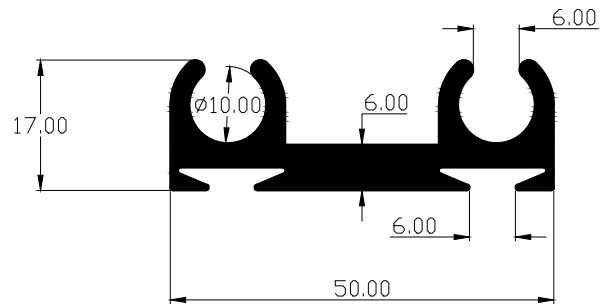


PARAGON ALUMINIUM L.L.P

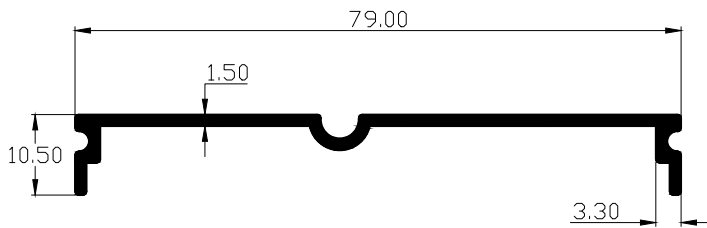
SECTION. NO	WT.Kgs/Mtr
30266	0.482



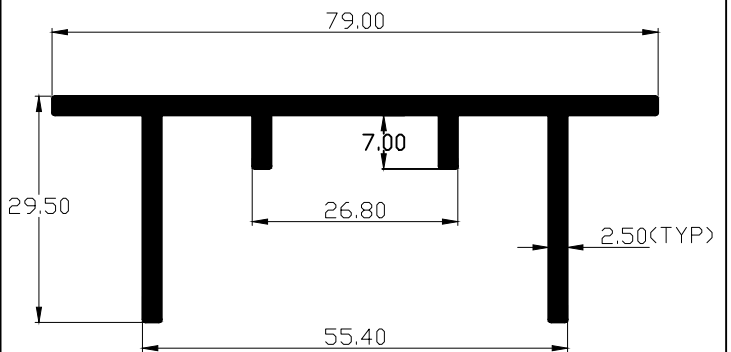
SECTION. NO	WT.Kgs/Mtr
30267	1.019



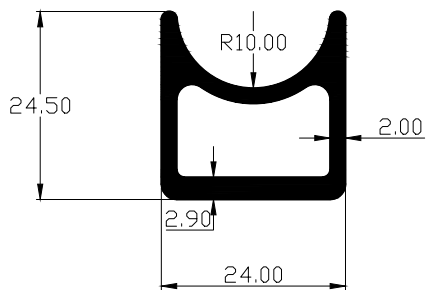
SECTION. NO	WT.Kgs/Mtr
30268	0.431



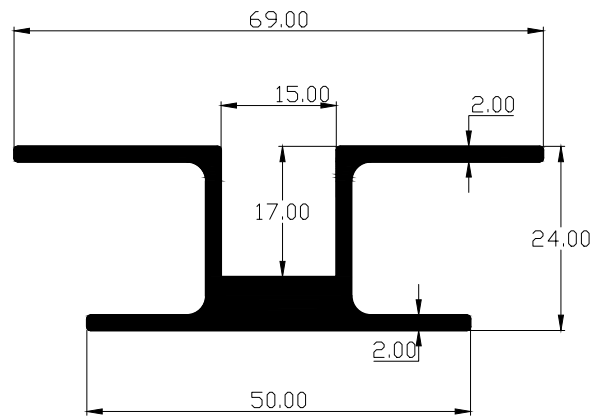
SECTION. NO	WT.Kgs/Mtr
30269	0.991



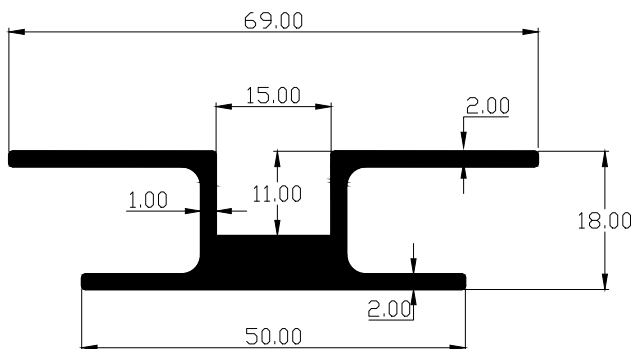
SECTION. NO	WT.Kgs/Mtr
30270	0.576



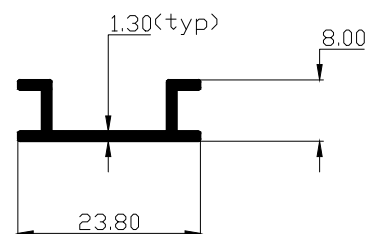
SECTION. NO	WT.Kgs/Mtr
30271	0.993



SECTION. NO	WT.Kgs/Mtr
30272	0.928

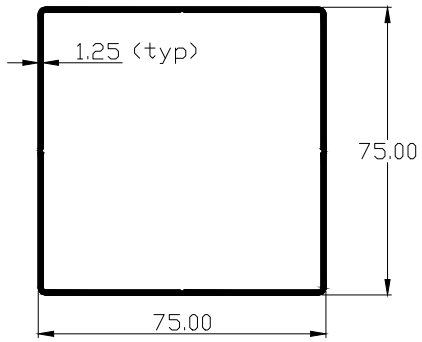


SECTION. NO	WT.Kgs/Mtr
30273	1.101

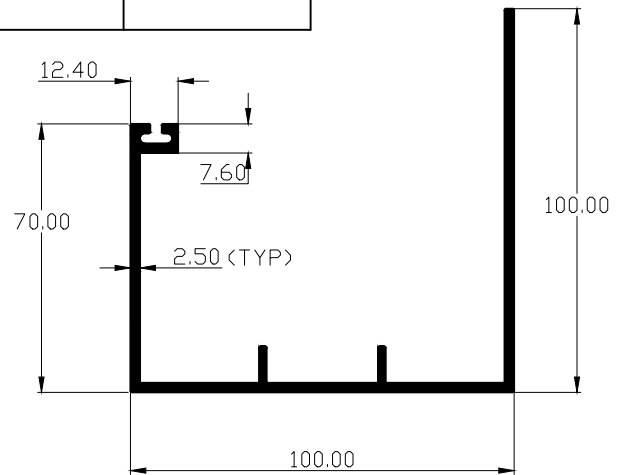


PARAGON ALUMINIUM L.L.P

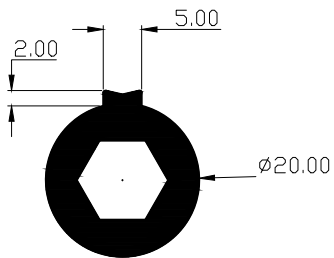
SECTION. NO	WT.Kgs/Mtr
30274	0.984



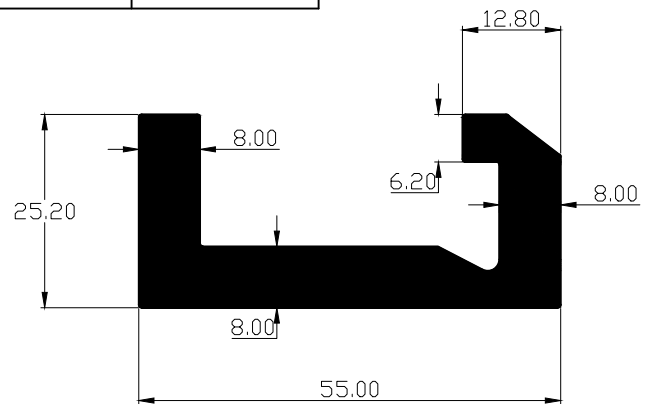
SECTION. NO	WT.Kgs/Mtr
30275	2.018



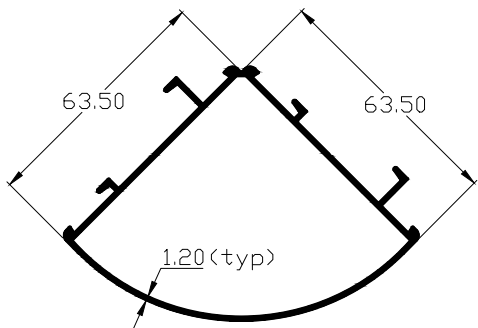
SECTION. NO	WT.Kgs/Mtr
30276	0.621



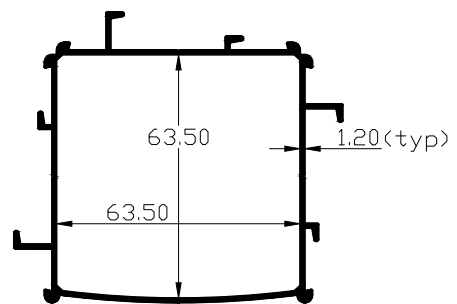
SECTION. NO	WT.Kgs/Mtr
30277	1.919



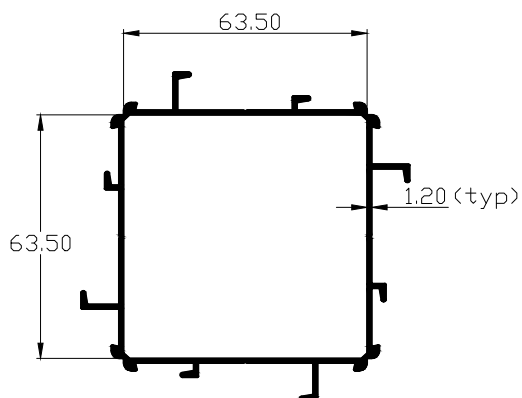
SECTION. NO	WT.Kgs/Mtr
30278	0.943



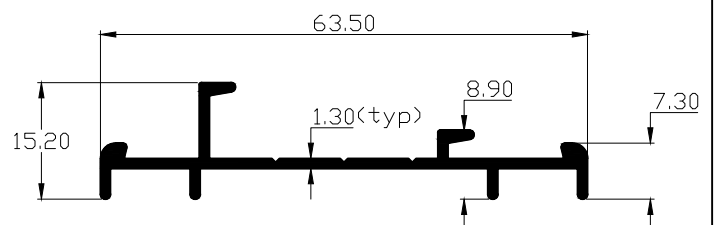
SECTION. NO	WT.Kgs/Mtr
30279	1.148



SECTION. NO	WT.Kgs/Mtr
30280	1.237

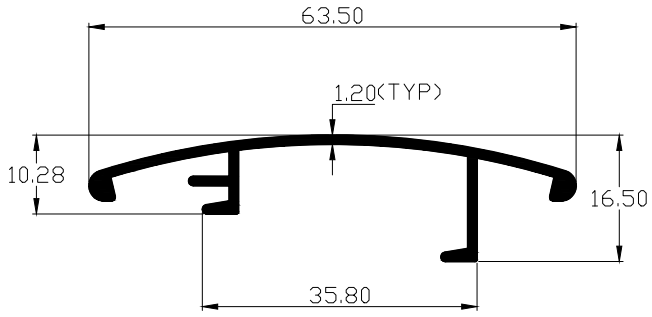


SECTION. NO	WT.Kgs/Mtr
30281	0.379

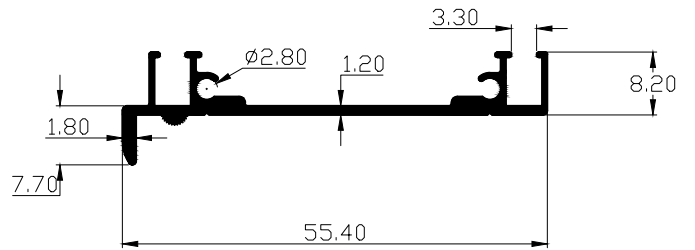


PARAGON ALUMINIUM L.L.P

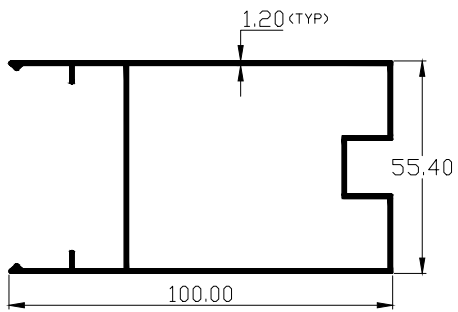
SECTION. NO	WT.Kgs/Mtr
30282	0.362



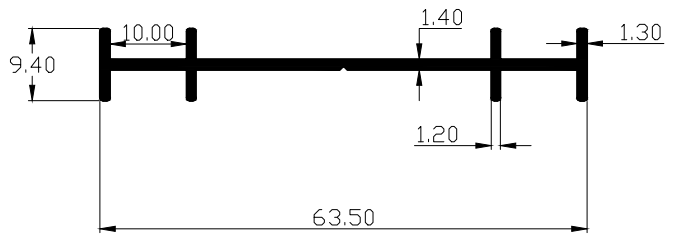
SECTION. NO	WT.Kgs/Mtr
30283	0.326



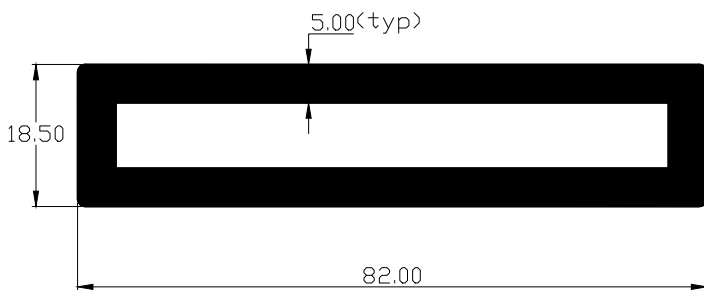
SECTION. NO	WT.Kgs/Mtr
30284	1.110



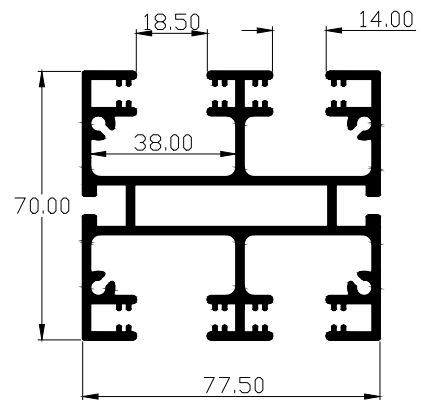
SECTION. NO	WT.Kgs/Mtr
30285	0.345



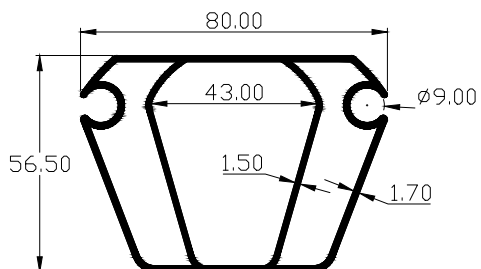
SECTION. NO	WT.Kgs/Mtr
30286	2.441



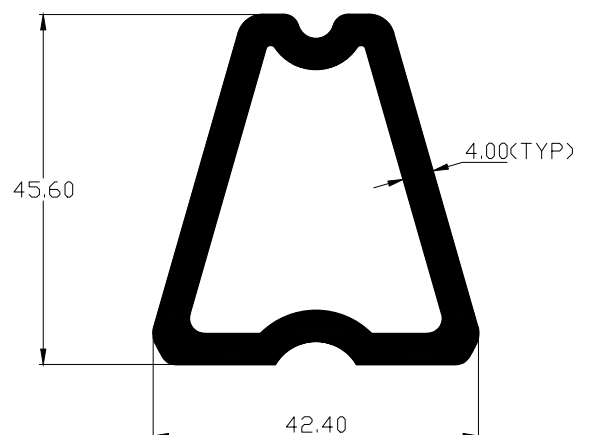
SECTION. NO	WT.Kgs/Mtr
30287	3.142



SECTION. NO	WT.Kgs/Mtr
30288	1.687

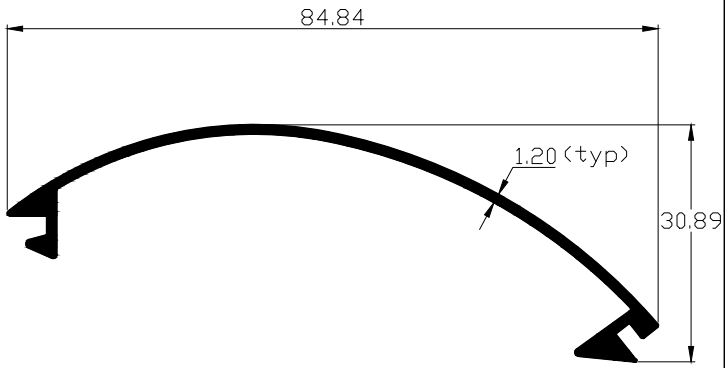


SECTION. NO	WT.Kgs/Mtr
30289	1.552

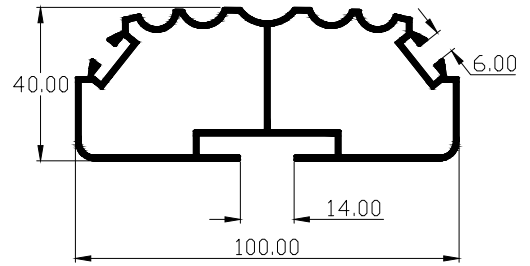


PARAGON ALUMINIUM L.L.P

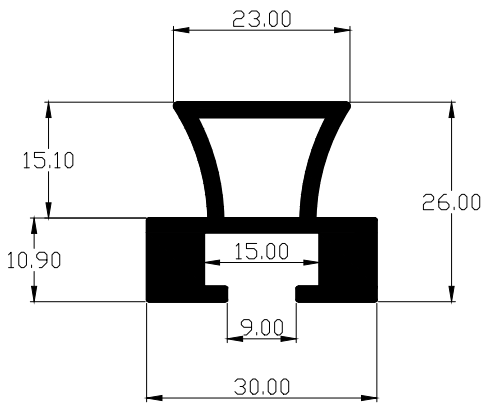
SECTION. NO	WT.Kgs/Mtr
30290	0.438



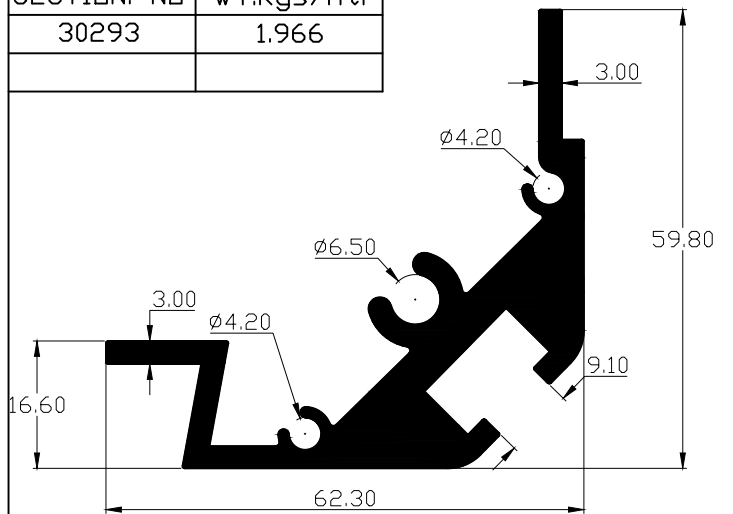
SECTION. NO	WT.Kgs/Mtr
30291	1.489



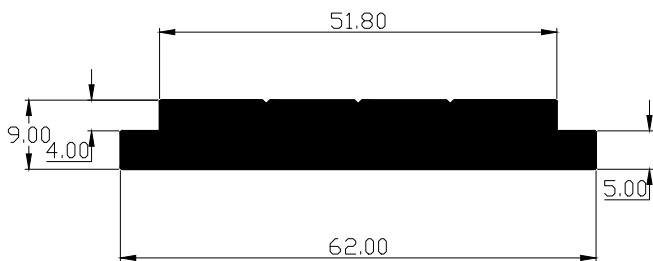
SECTION. NO	WT.Kgs/Mtr
30292	0.819



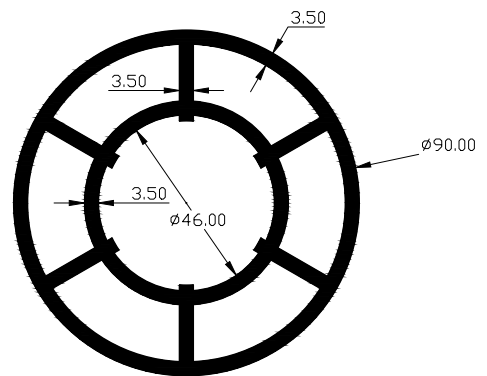
SECTION. NO	WT.Kgs/Mtr
30293	1.966



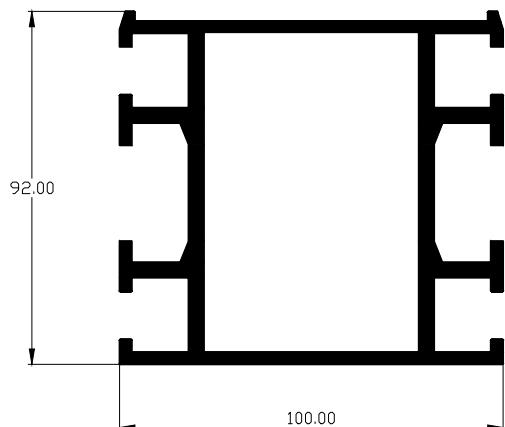
SECTION. NO	WT.Kgs/Mtr
30294	1.394



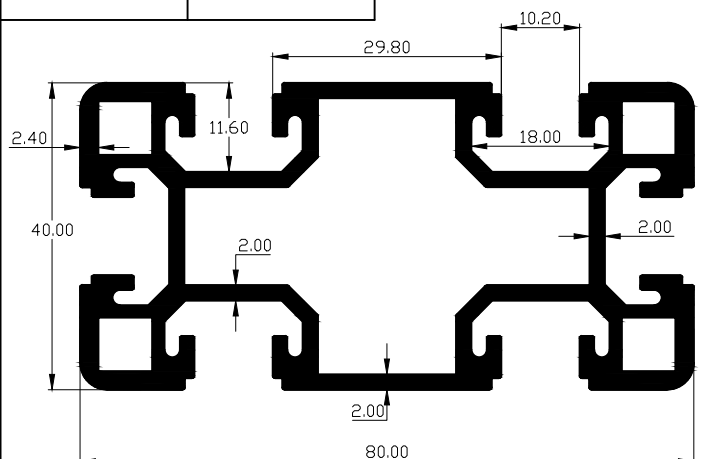
SECTION. NO	WT.Kgs/Mtr
30295	4.972



SECTION. NO	WT.Kgs/Mtr
30296	4.788

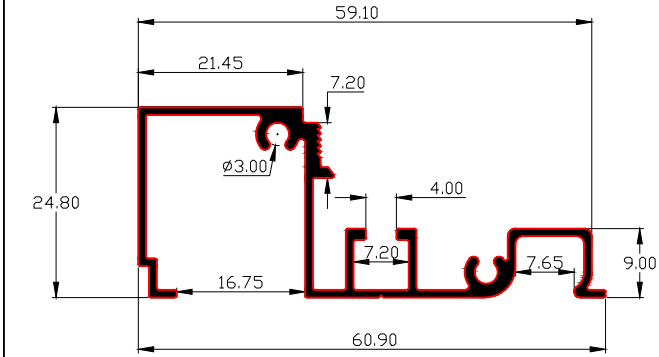


SECTION. NO	WT.Kgs/Mtr
30297	2.450

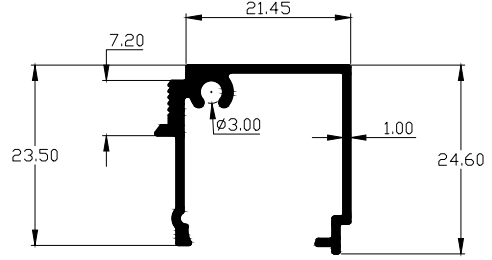


PARAGON ALUMINIUM L.L.P

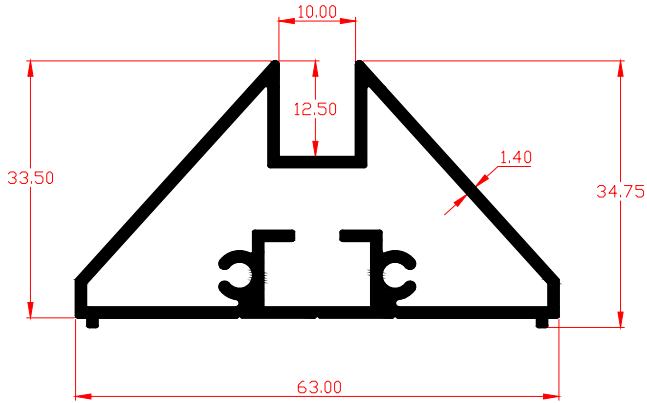
SECTION. NO	WT.Kgs/Mtr
30298	0.499



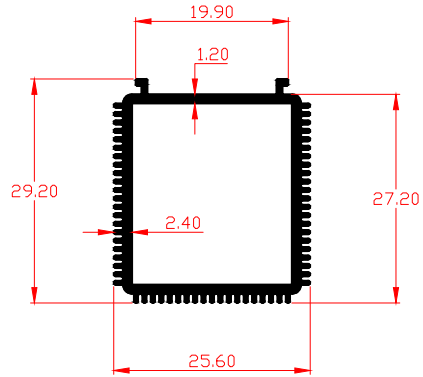
SECTION. NO	WT.Kgs/Mtr
30299	0.264



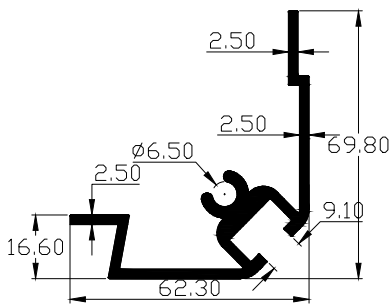
SECTION. NO	WT.Kgs/Mtr
30300	0.866



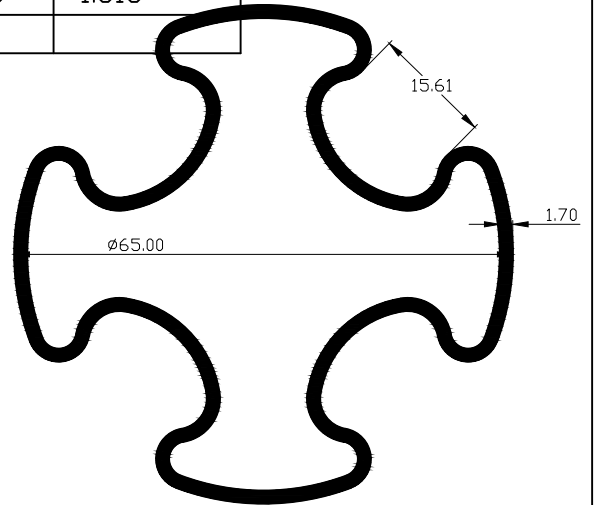
SECTION. NO	WT.Kgs/Mtr
30301	0.424



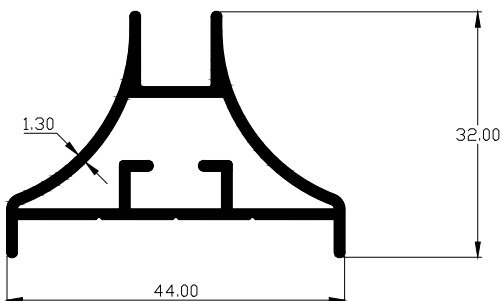
SECTION. NO	WT.Kgs/Mtr
30302	1.398



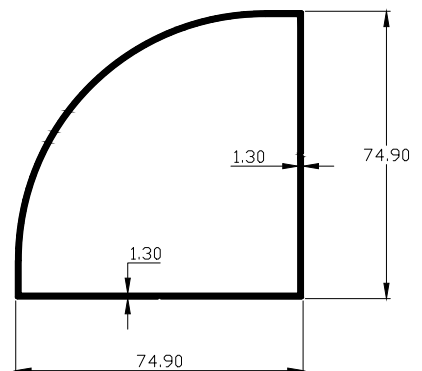
SECTION. NO	WT.Kgs/Mtr
30303	1.313



SECTION. NO	WT.Kgs/Mtr
30304	0.535

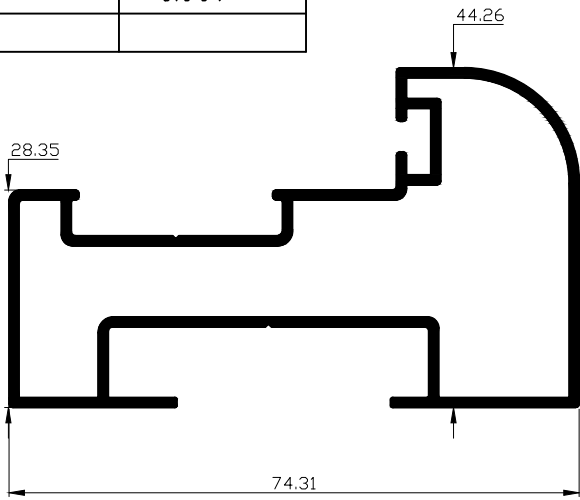


SECTION. NO	WT.Kgs/Mtr
30305	0.936

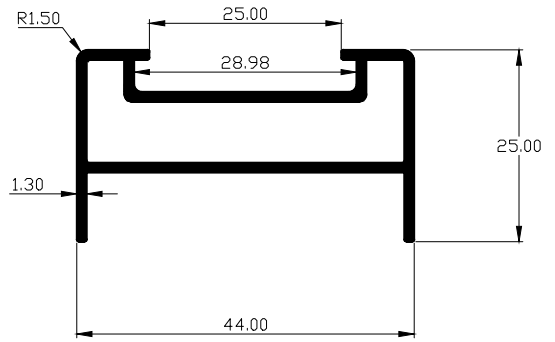


PARAGON ALUMINIUM L.L.P

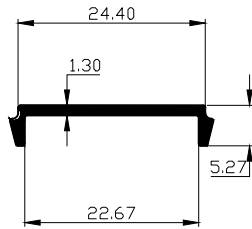
SECTION. NO	WT.Kgs/Mtr
30306	0.997



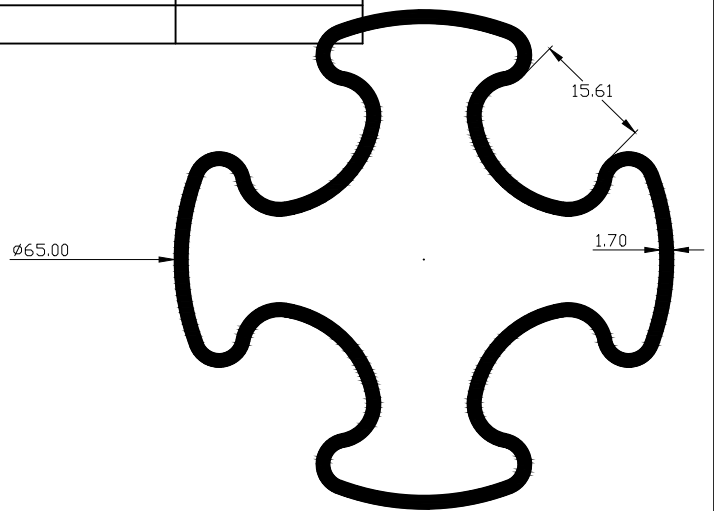
SECTION. NO	WT.Kgs/Mtr
30307	0.518



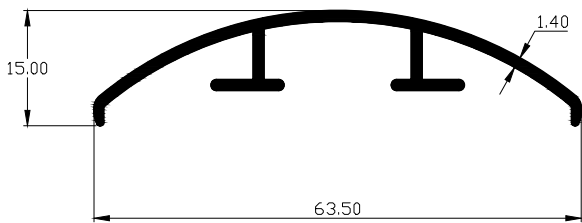
SECTION. NO	WT.Kgs/Mtr
30308	0.117



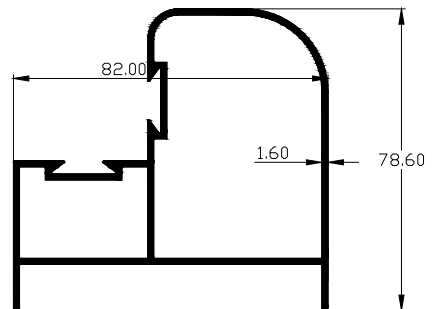
SECTION. NO	WT.Kgs/Mtr
30309	1.313



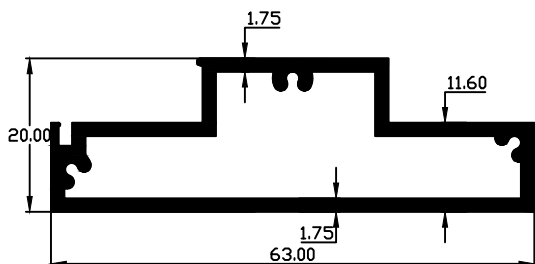
SECTION. NO	WT.Kgs/Mtr
30310	0.378



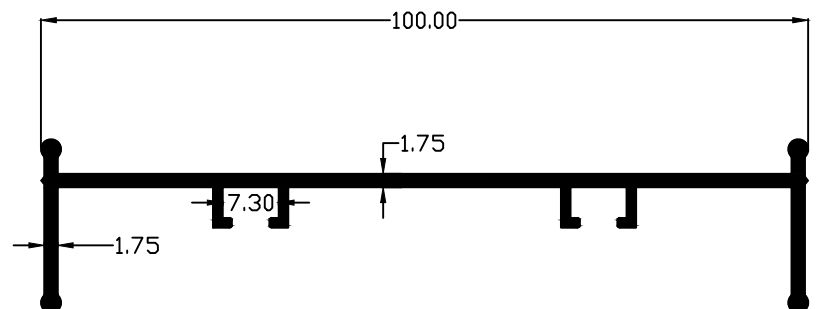
SECTION. NO	WT.Kgs/Mtr
30311	1.530



SECTION. NO	WT.Kgs/Mtr
30312	3.238

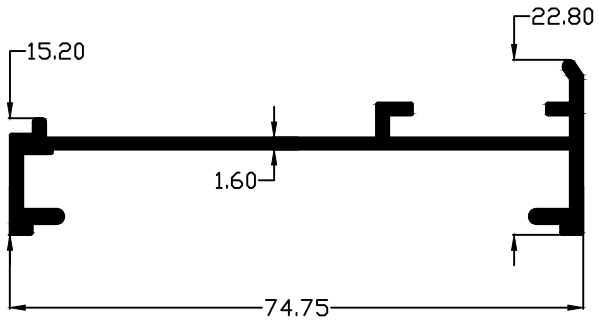


SECTION. NO	WT.Kgs/Mtr
30313	0.762

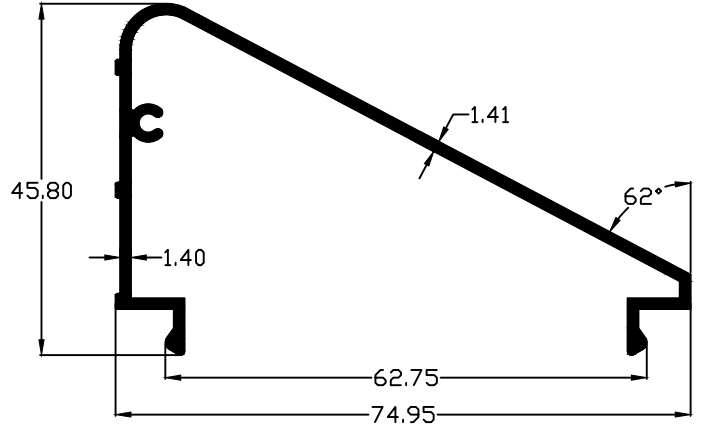


PARAGON ALUMINIUM L.L.P

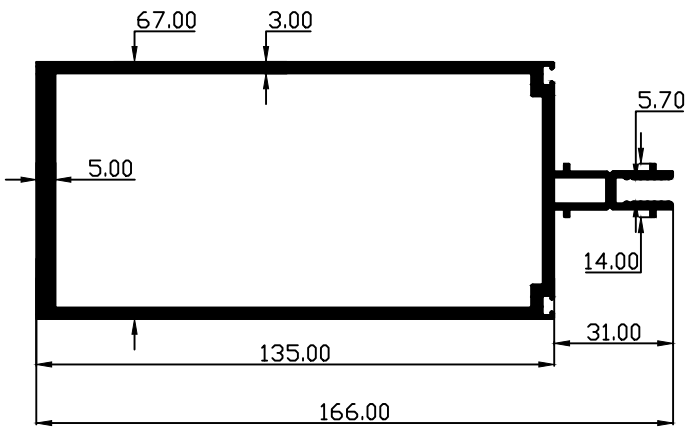
SECTION. NO	WT.Kgs/Mtr
30314	0.611



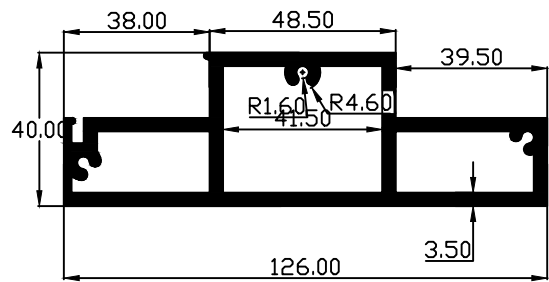
SECTION. NO	WT.Kgs/Mtr
30315	0.613



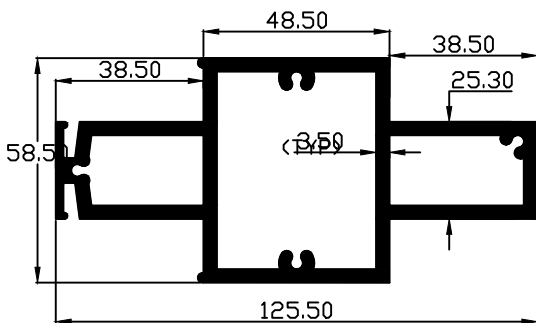
SECTION. NO	WT.Kgs/Mtr
30316	3.904



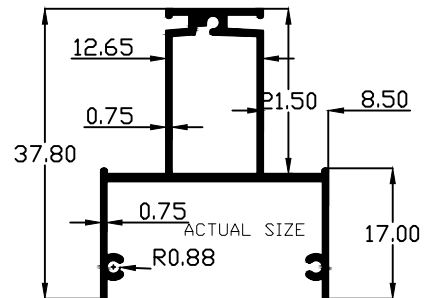
SECTION. NO	WT.Kgs/Mtr
30317	3.499



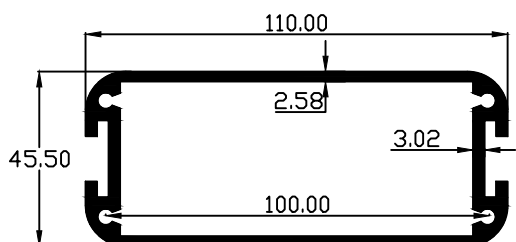
SECTION. NO	WT.Kgs/Mtr
30318	3.952



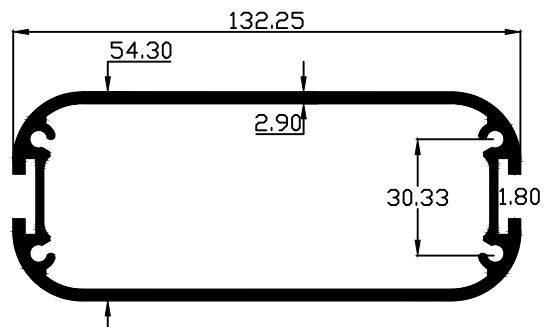
SECTION. NO	WT.Kgs/Mtr
30319	1.220



SECTION. NO	WT.Kgs/Mtr
30320	2.60

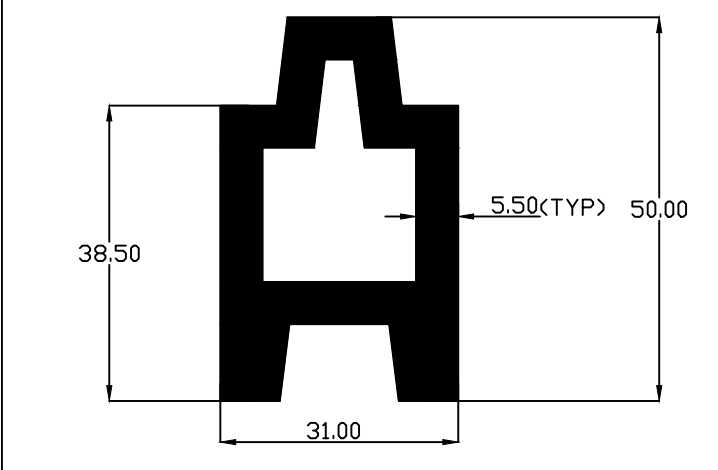


SECTION. NO	WT.Kgs/Mtr
30321	3.00

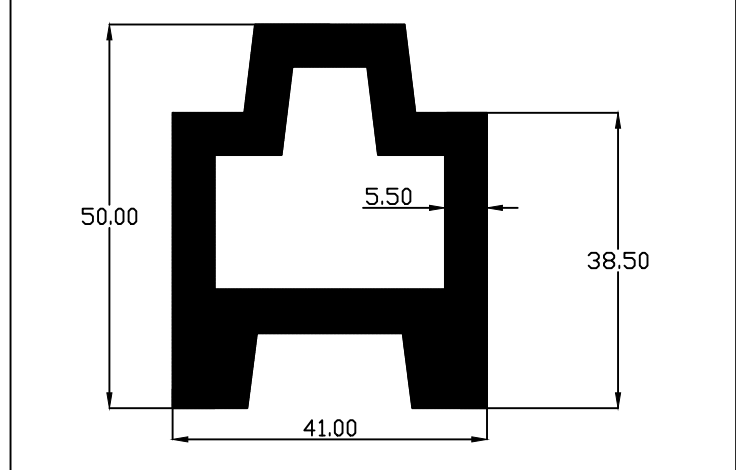


PARAGON ALUMINIUM L.L.P

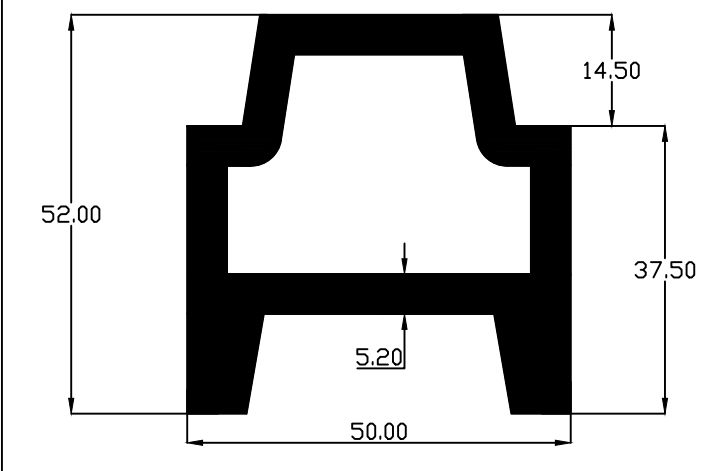
SECTION. NO	WT.Kgs/Mtr
30322	2.25



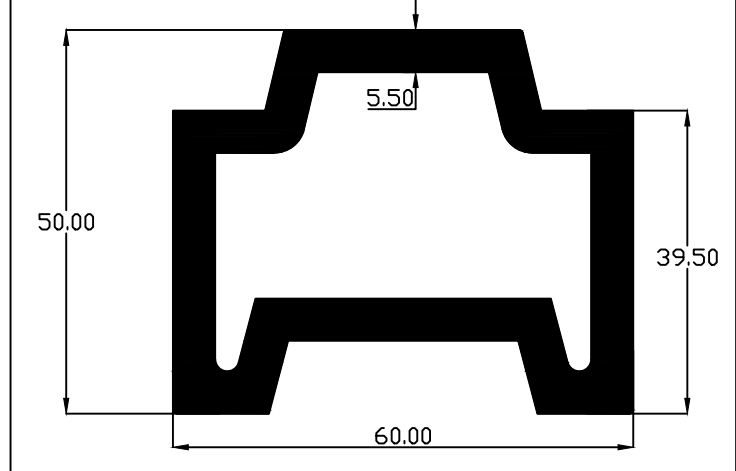
SECTION. NO	WT.Kgs/Mtr
30323	2.65



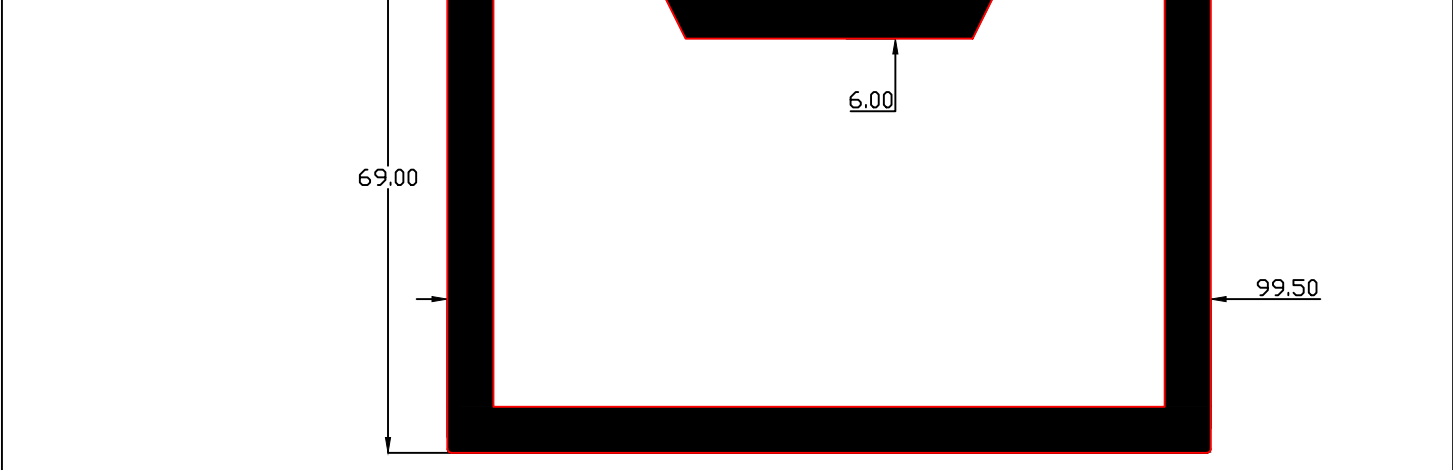
SECTION. NO	WT.Kgs/Mtr
30324	2.80



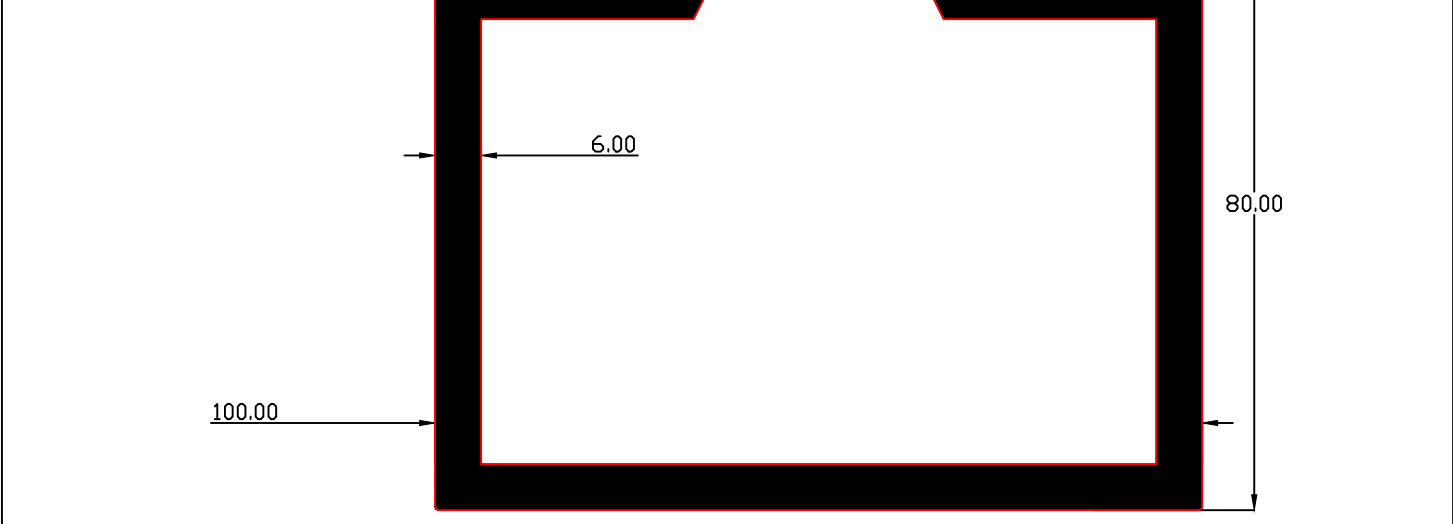
SECTION. NO	WT.Kgs/Mtr
30325	3.20



SECTION. NO	WT.Kgs/Mtr
30326	5.250

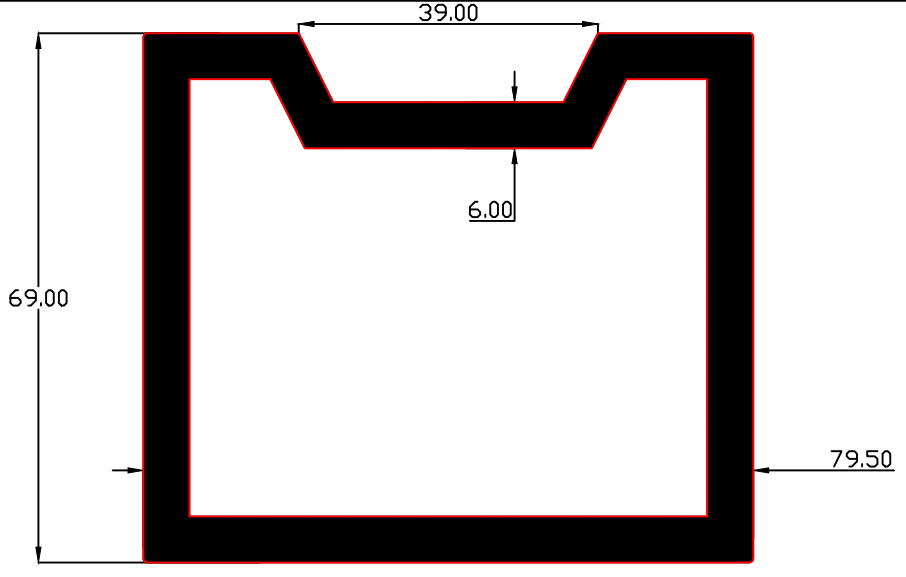


SECTION. NO	WT.Kgs/Mtr
30327	5.318

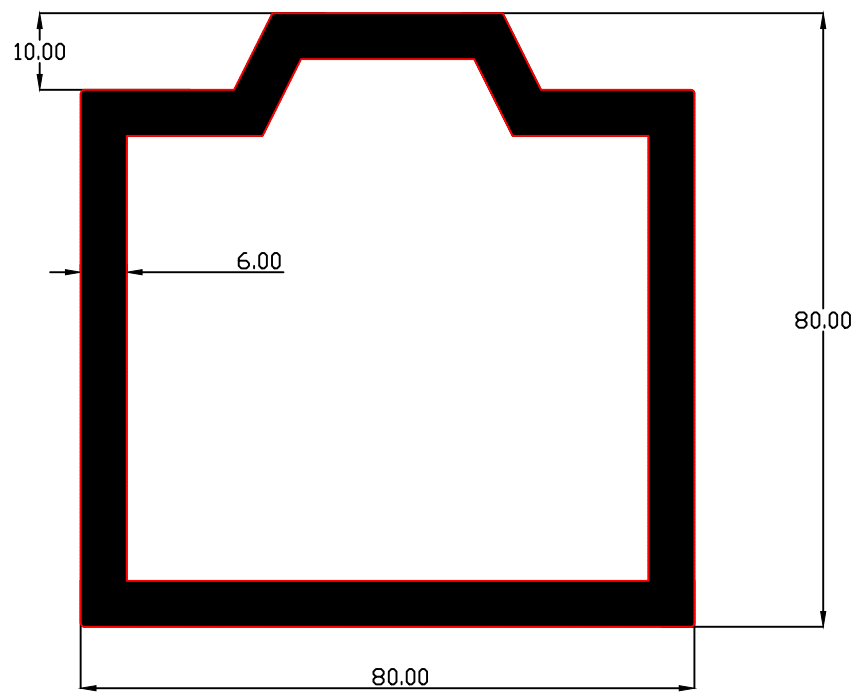


PARAGON ALUMINIUM L.L.P

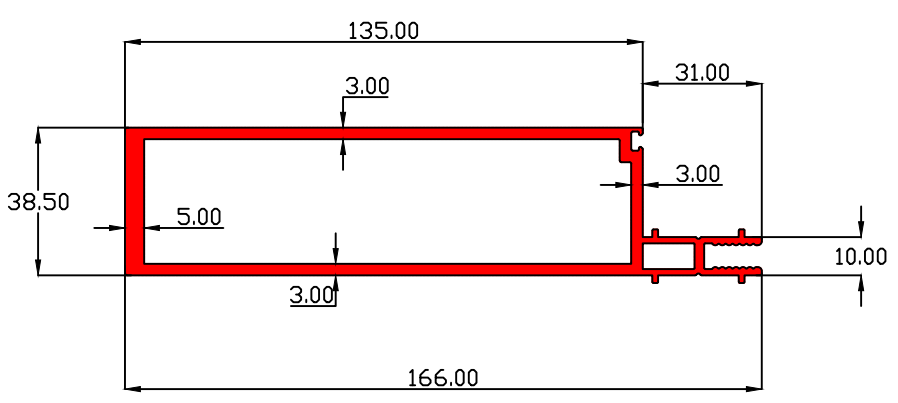
SECTION. NO	WT.Kgs/Mtr
30328	4.602



SECTION. NO	WT.Kgs/Mtr
30329	4.670

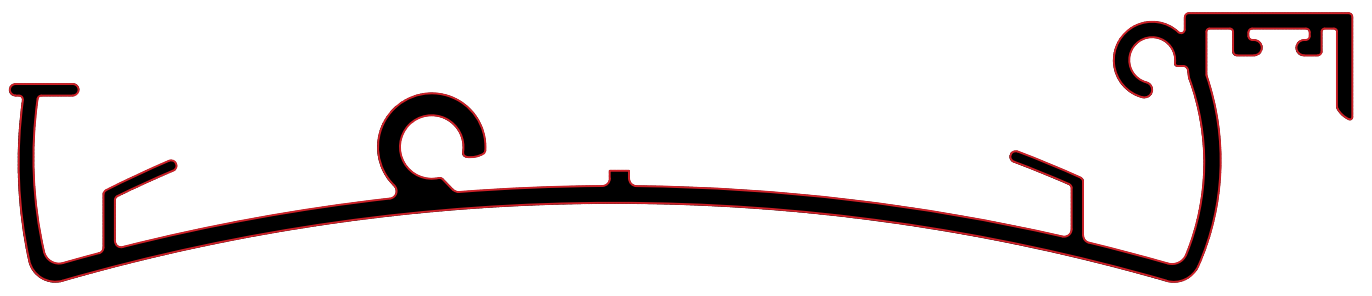


SECTION. NO	WT.Kgs/Mtr
30330	3.300

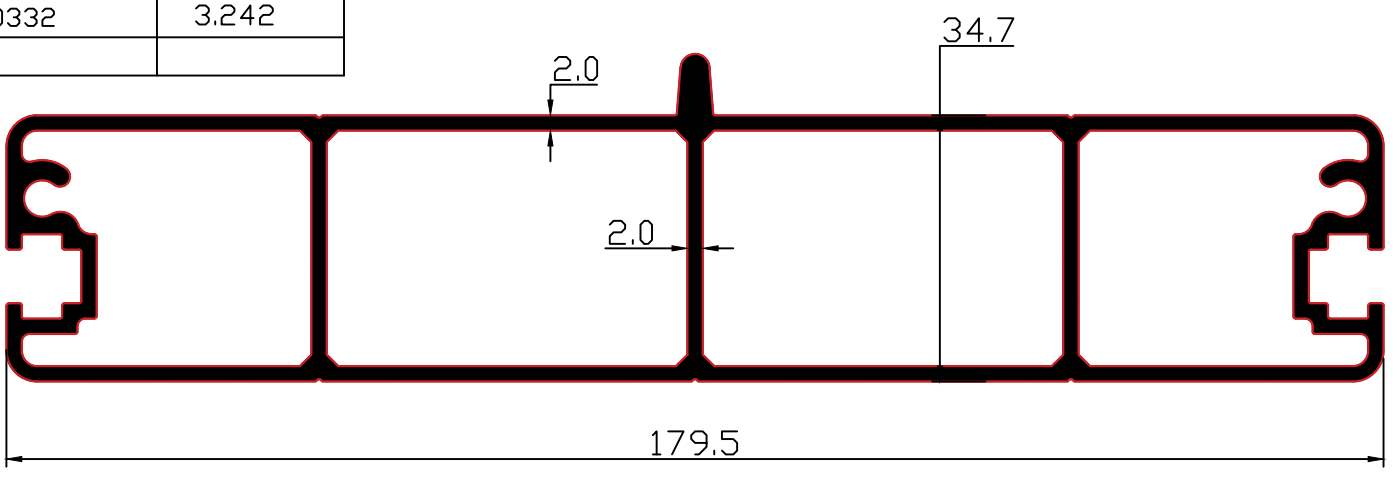


PARAGON ALUMINIUM L.L.P

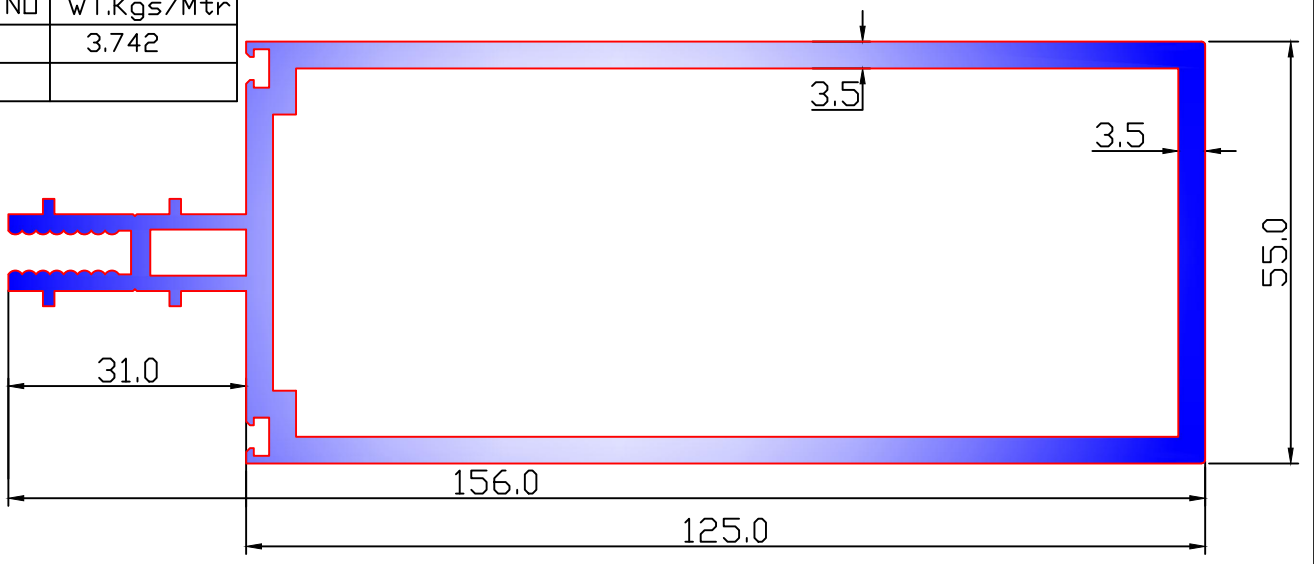
SECTION. NO	WT.Kgs/Mtr
30331	1.952



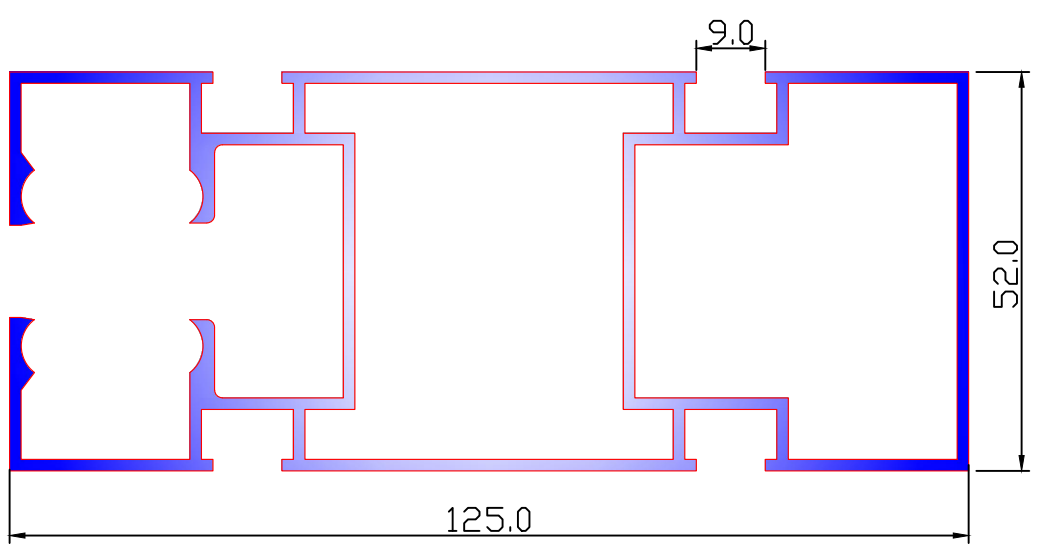
SECTION. NO	WT.Kgs/Mtr
30332	3.242



SECTION. NO	WT.Kgs/Mtr
30333	3.742

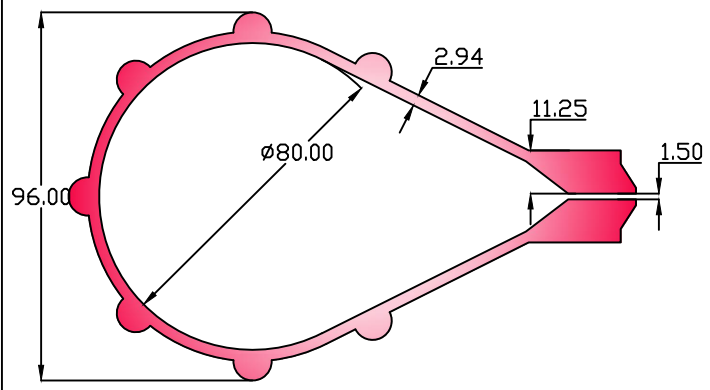


SECTION. NO	WT.Kgs/Mtr
30334	2.205

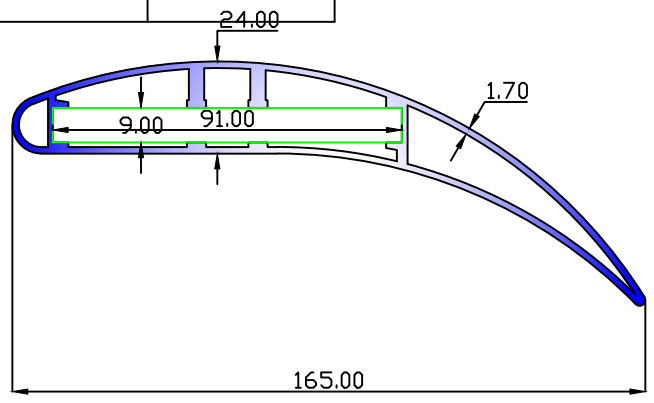


PARAGON ALUMINIUM L.L.P

SECTION. NO	WT.Kgs/Mtr
30335	4.409

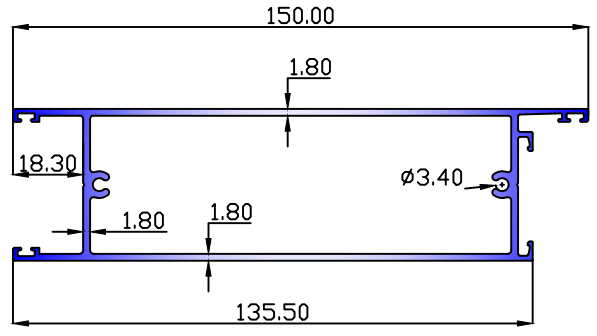


SECTION. NO	WT.Kgs/Mtr
30336	2.200



SECTION. NO	WT.Kgs/Mtr

SECTION. NO	WT.Kgs/Mtr
30338	1.895



SECTION. NO	WT.Kgs/Mtr

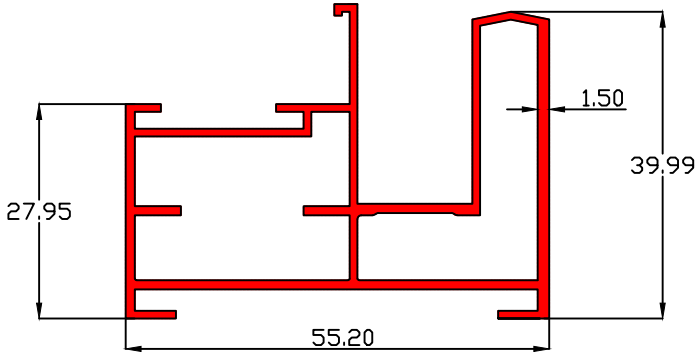
SECTION. NO	WT.Kgs/Mtr

SECTION. NO	WT.Kgs/Mtr

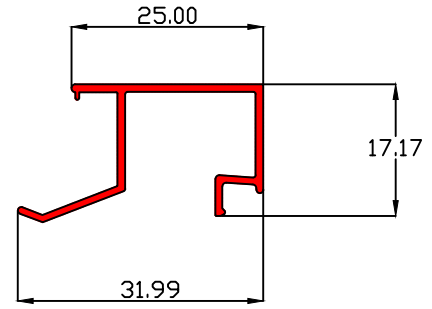
SECTION. NO	WT.Kgs/Mtr

PARAGON ALUMINIUM L.L.P

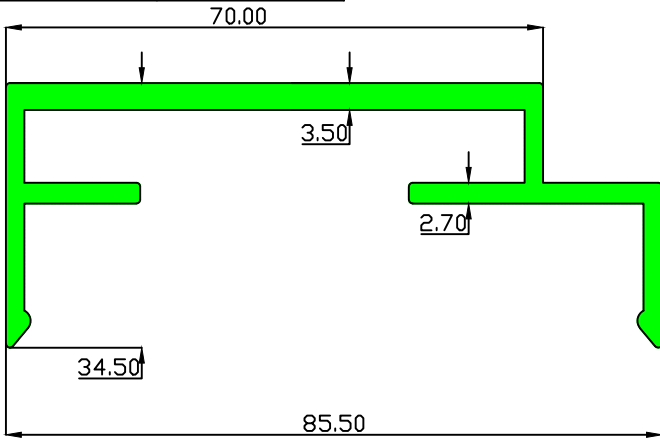
SECTION. NO	WT.Kgs/Mtr
31002	0.835



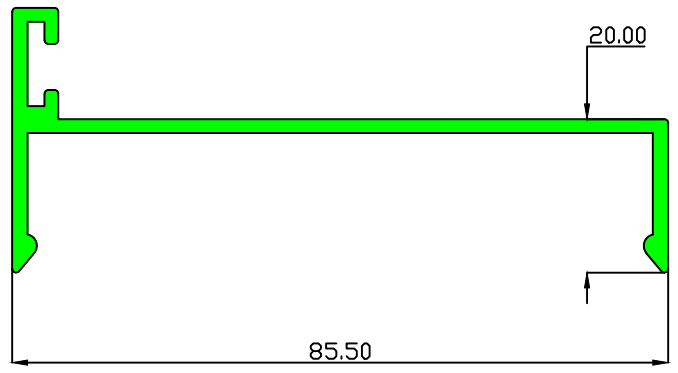
SECTION. NO	WT.Kgs/Mtr
31001	0.197



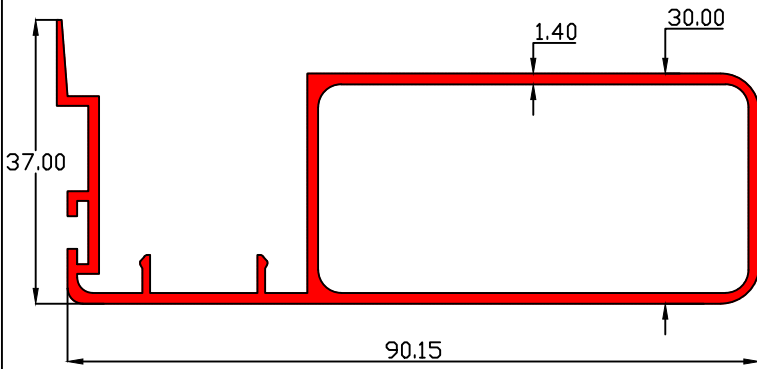
SECTION. NO	WT.Kgs/Mtr
31004	1.450



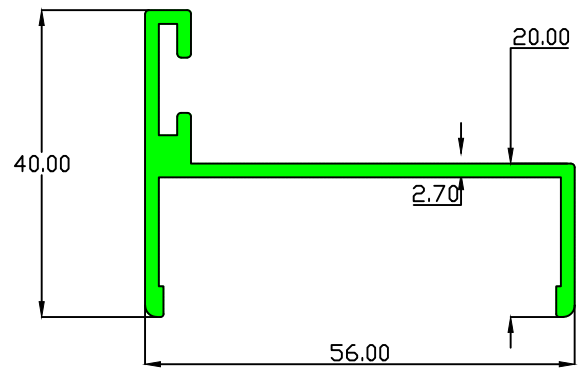
SECTION. NO	WT.Kgs/Mtr
31003	0.800



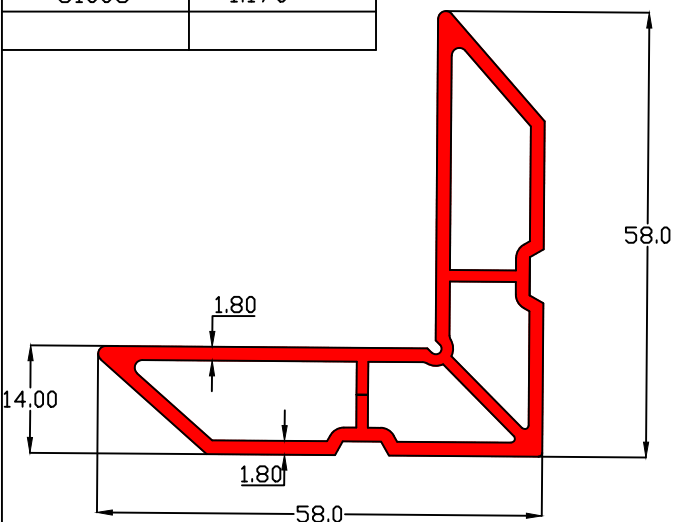
SECTION. NO	WT.Kgs/Mtr
31006	0.956



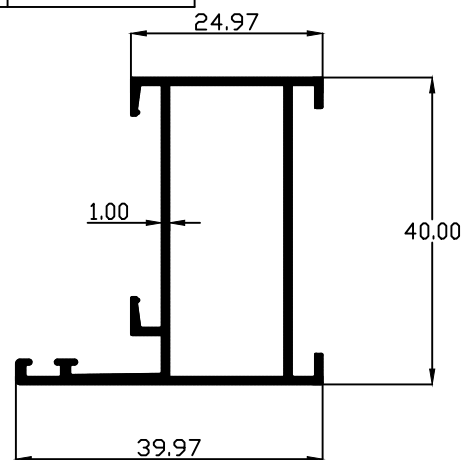
SECTION. NO	WT.Kgs/Mtr
31005	0.700



SECTION. NO	WT.Kgs/Mtr
31008	1.170

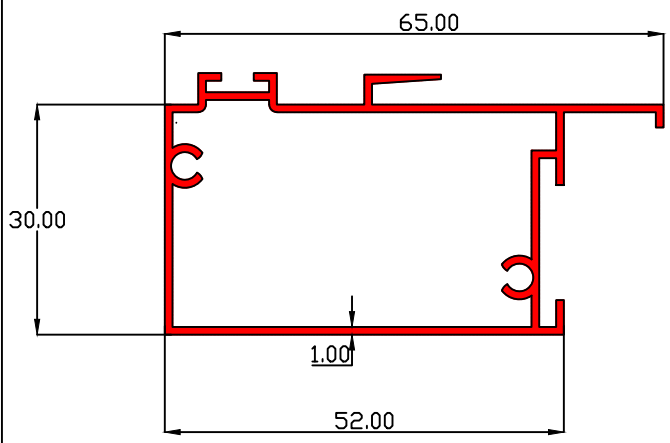


SECTION. NO	WT.Kgs/Mtr
31007	0.460

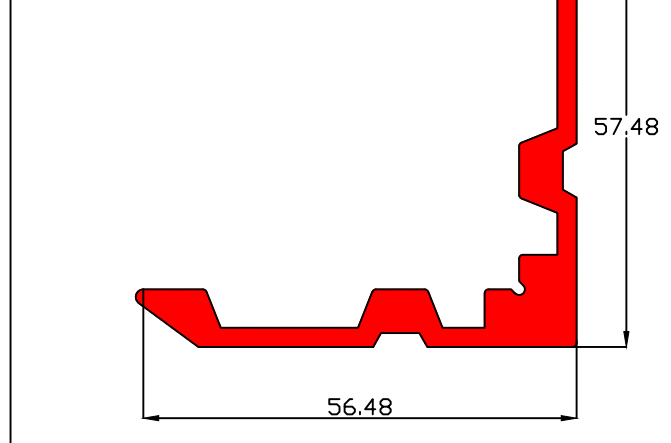


PARAGON ALUMINIUM L.L.P

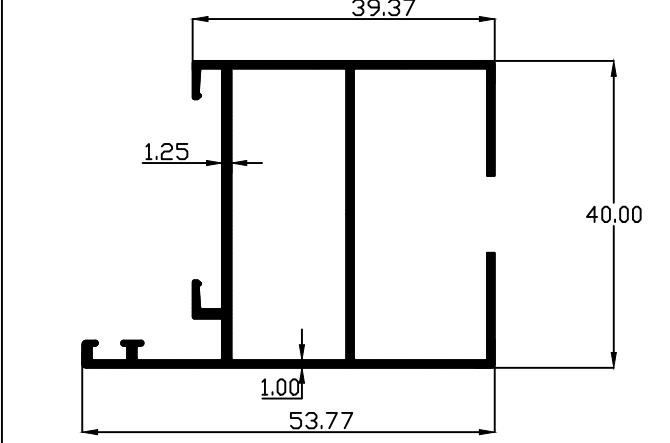
SECTION. NO	WT.Kgs/Mtr
31010	0.609



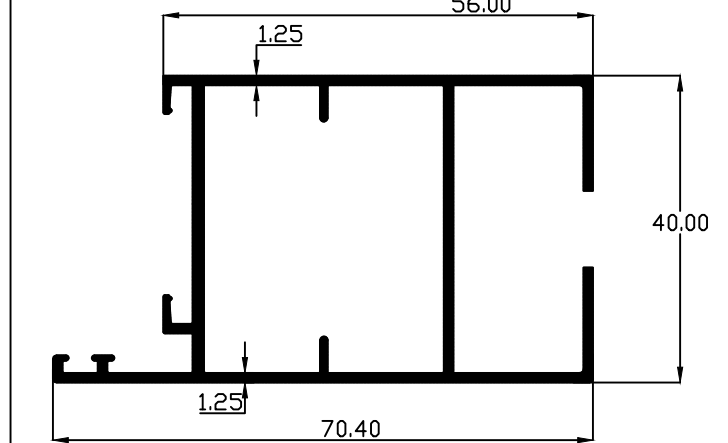
SECTION. NO	WT.Kgs/Mtr
31009	1.267



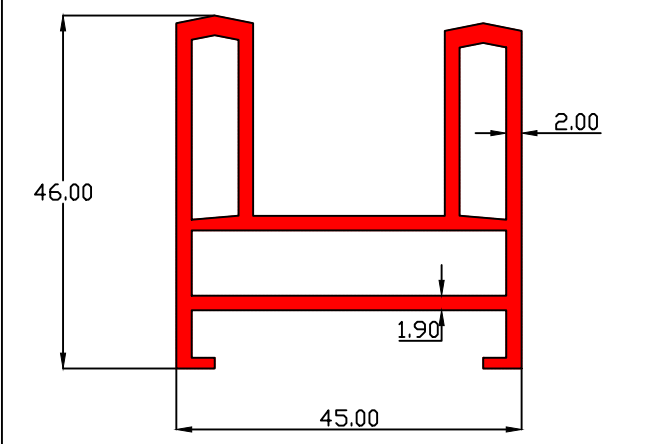
SECTION. NO	WT.Kgs/Mtr
31012	0.610



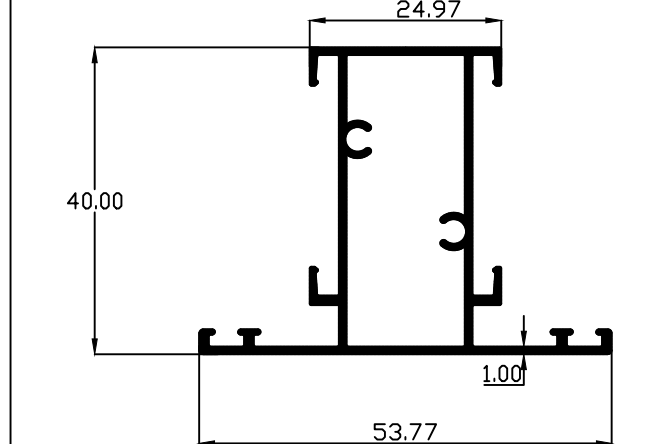
SECTION. NO	WT.Kgs/Mtr
31011	0.873



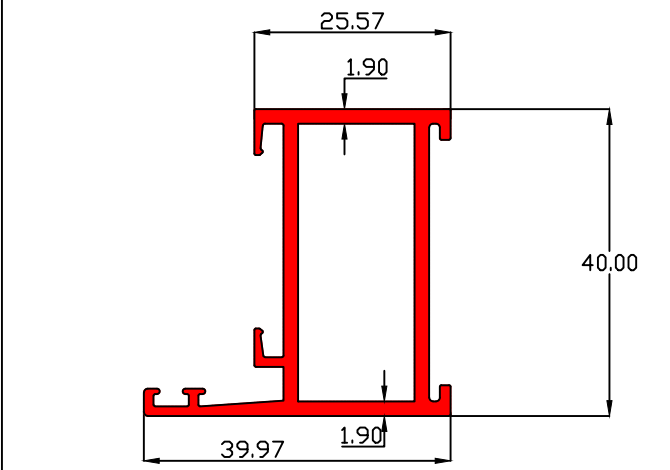
SECTION. NO	WT.Kgs/Mtr
31014	1.300



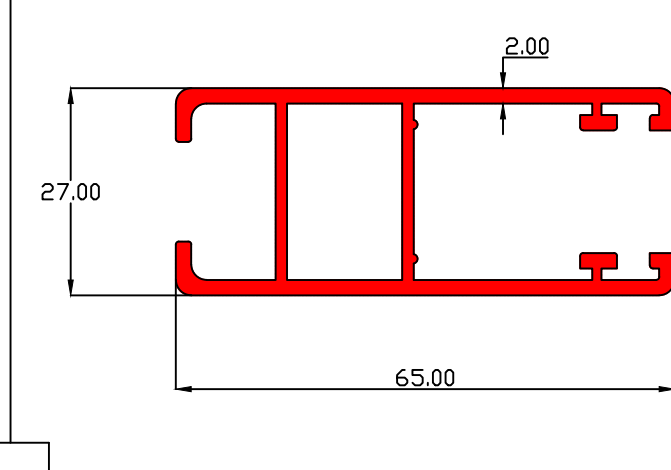
SECTION. NO	WT.Kgs/Mtr
31013	0.550



SECTION. NO	WT.Kgs/Mtr
31016	0.790

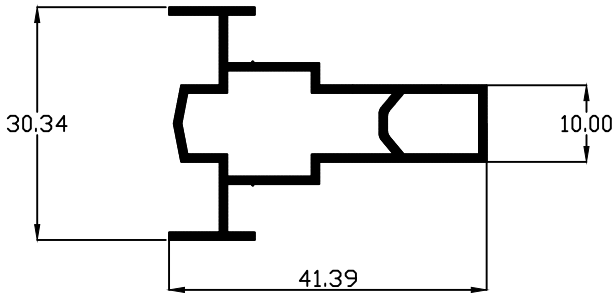


SECTION. NO	WT.Kgs/Mtr
31015	1.051

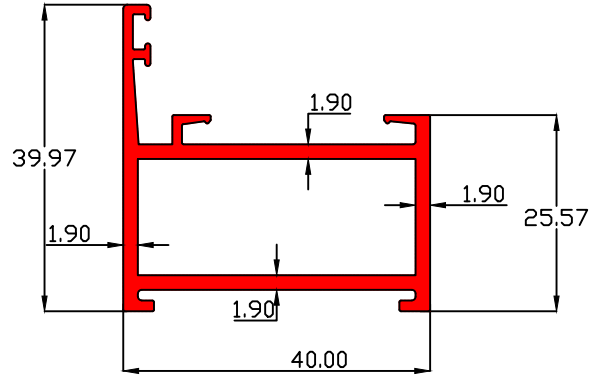


PARAGON ALUMINIUM L.L.P

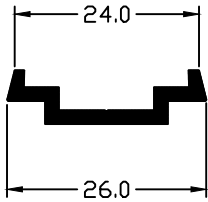
SECTION. NO	WT.Kgs/Mtr
31017	0.427



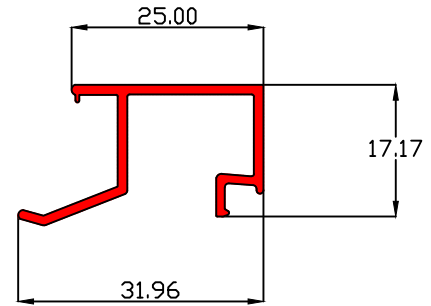
SECTION. NO	WT.Kgs/Mtr
31016	0.790



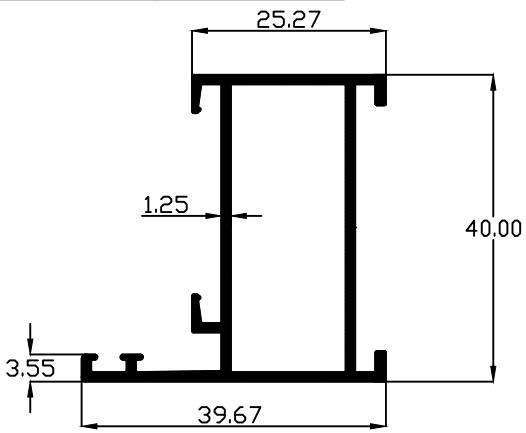
SECTION. NO	WT.Kgs/Mtr
31019	0.170



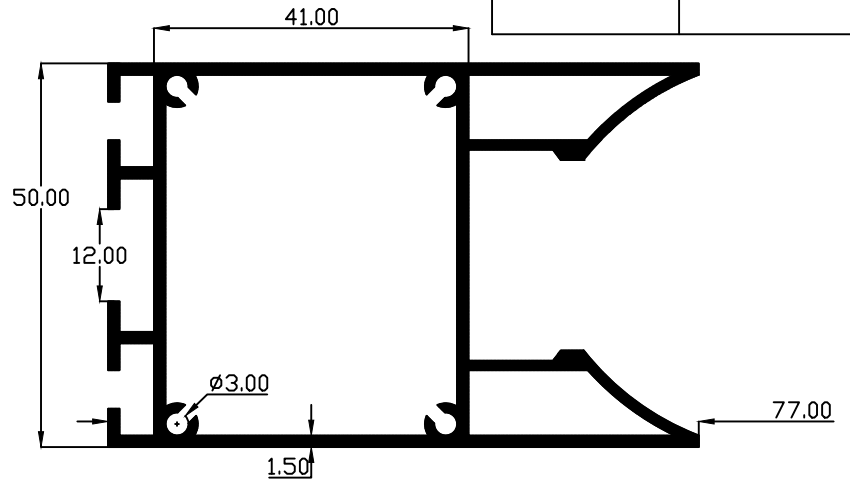
SECTION. NO	WT.Kgs/Mtr
31018	0.247



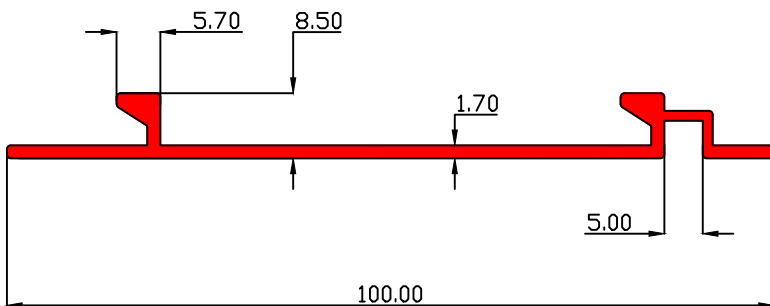
SECTION. NO	WT.Kgs/Mtr
31021	0.547



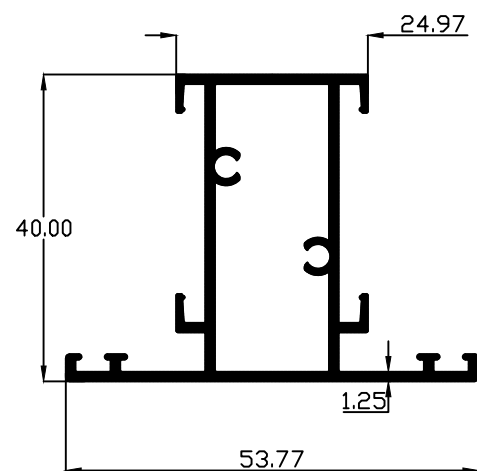
SECTION. NO	WT.Kgs/Mtr
31020	1.437



SECTION. NO	WT.Kgs/Mtr
31023	0.594

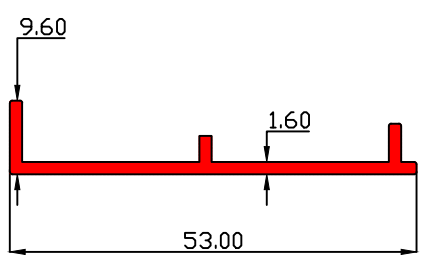


SECTION. NO	WT.Kgs/Mtr
31022	0.652

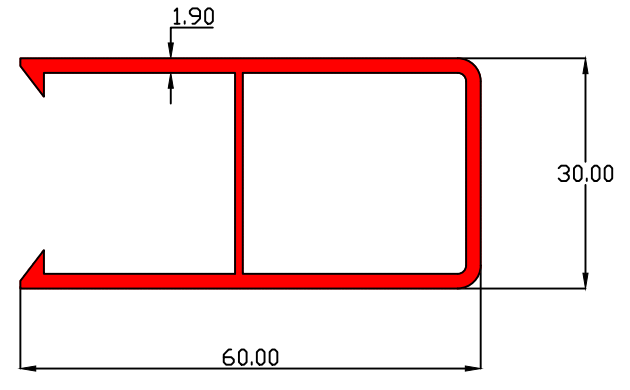


PARAGON ALUMINIUM L.L.P

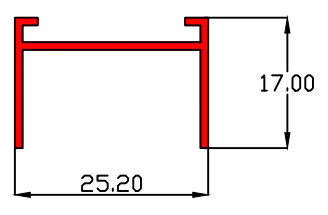
SECTION. NO	WT.Kgs/Mtr
31025	0.310



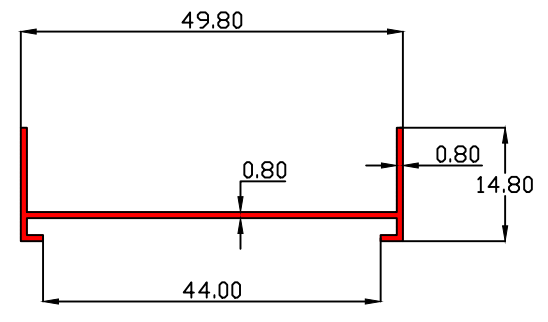
SECTION. NO	WT.Kgs/Mtr
31024	0.829



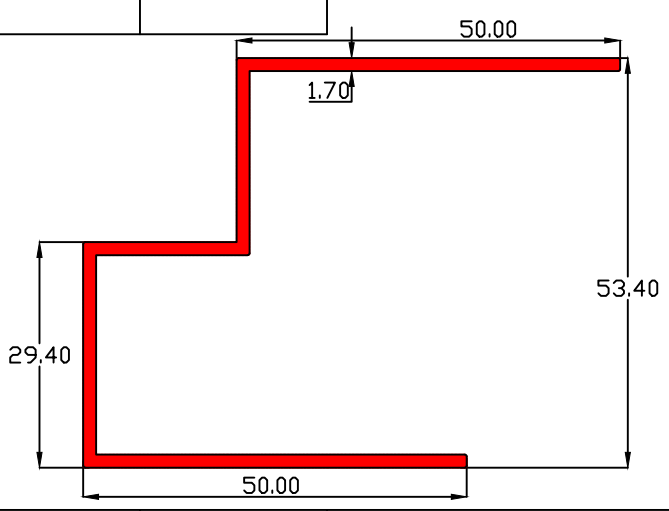
SECTION. NO	WT.Kgs/Mtr
31027	0.165



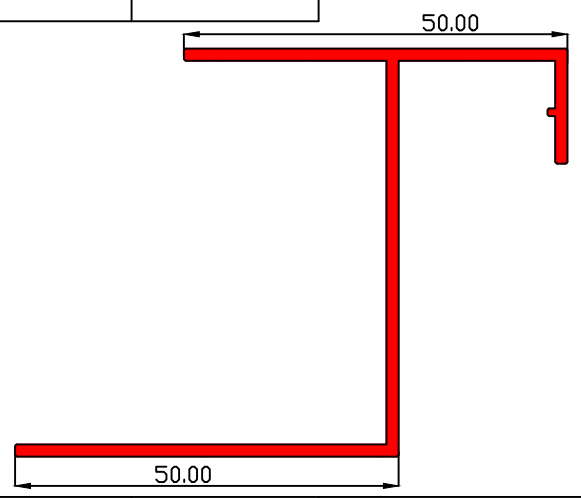
SECTION. NO	WT.Kgs/Mtr
31026	0.177



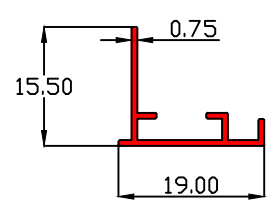
SECTION. NO	WT.Kgs/Mtr
31029	0.800



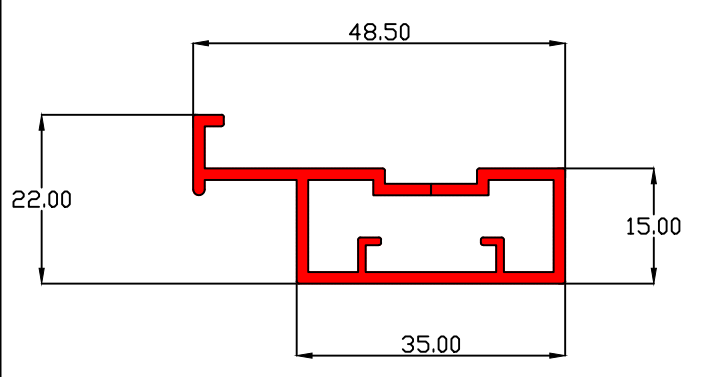
SECTION. NO	WT.Kgs/Mtr
31028	0.750



SECTION. NO	WT.Kgs/Mtr
31031	0.100

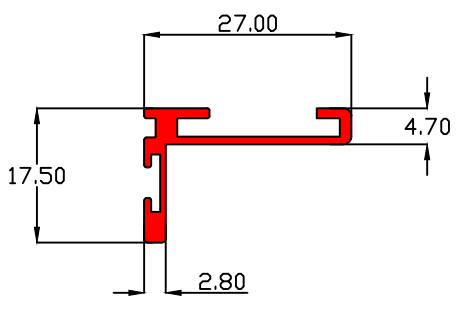


SECTION. NO	WT.Kgs/Mtr
31030	0.540

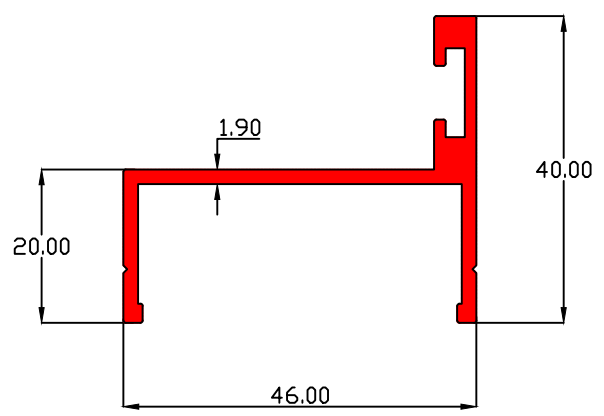


PARAGON ALUMINIUM L.L.P

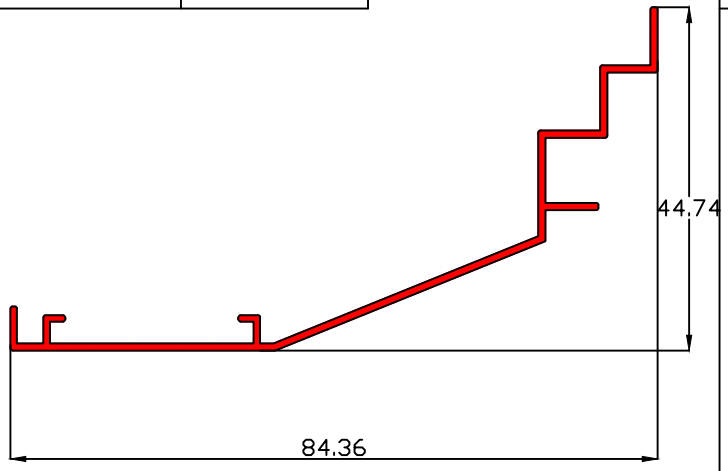
SECTION. NO	WT.Kgs/Mtr
31033	0.210



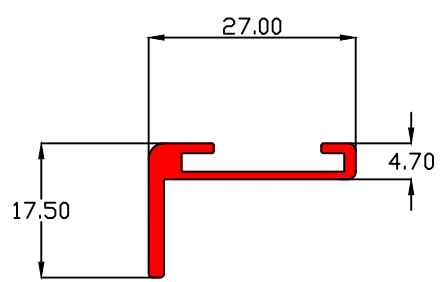
SECTION. NO	WT.Kgs/Mtr
31032	0.630



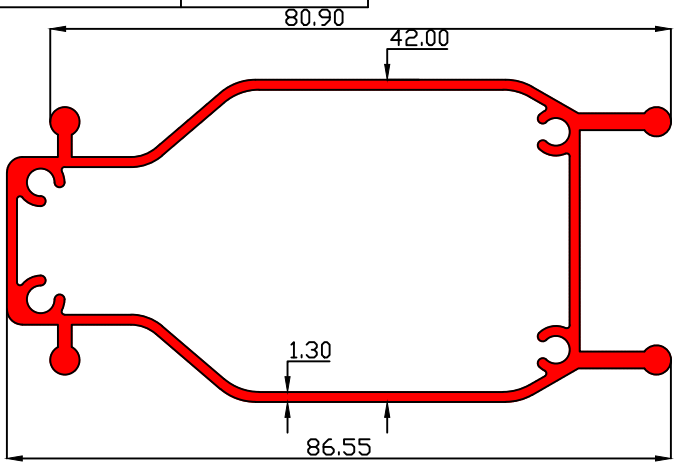
SECTION. NO	WT.Kgs/Mtr
31035	0.360



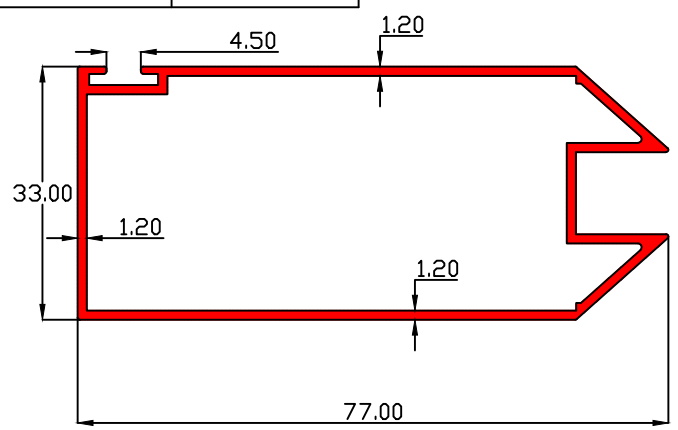
SECTION. NO	WT.Kgs/Mtr
31034	0.230



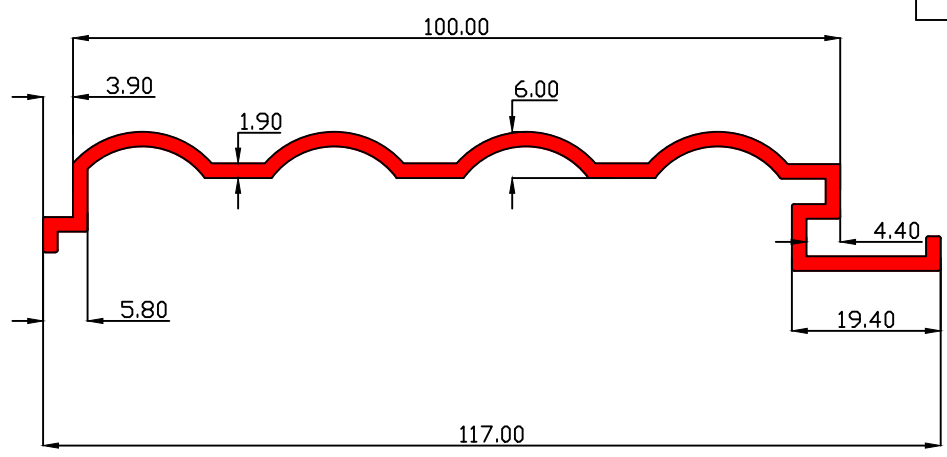
SECTION. NO	WT.Kgs/Mtr
31037	1.115



SECTION. NO	WT.Kgs/Mtr
31036	0.800

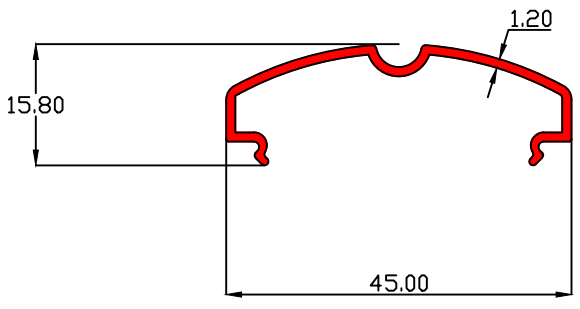


SECTION. NO	WT.Kgs/Mtr
31038	0.850

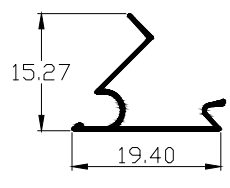


PARAGON ALUMINIUM L.L.P

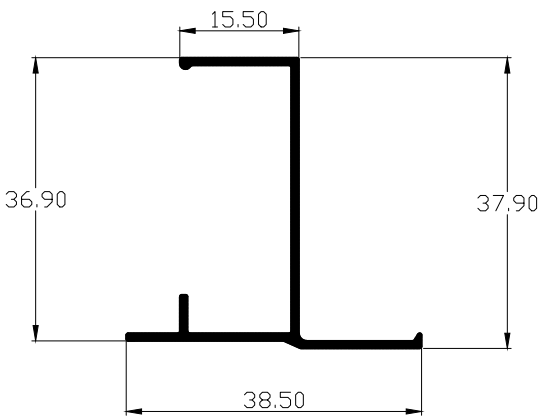
SECTION. NO	WT.Kgs/Mtr
31040	0.250



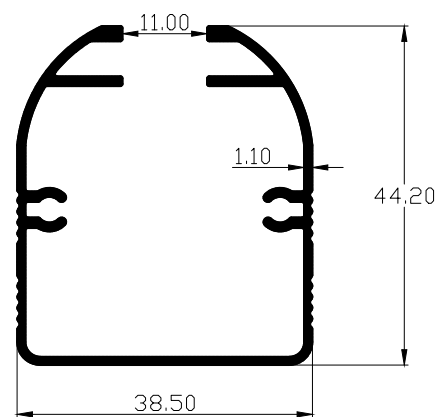
SECTION. NO	WT.Kgs/Mtr
31039	0.067



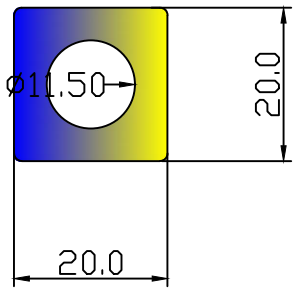
SECTION. NO	WT.Kgs/Mtr
31042	0.260



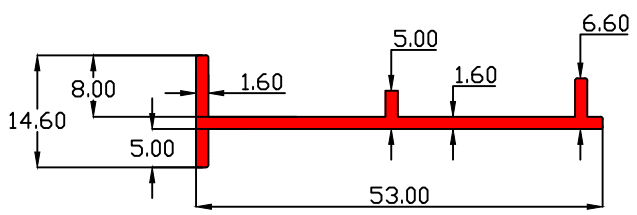
SECTION. NO	WT.Kgs/Mtr
31041	0.550



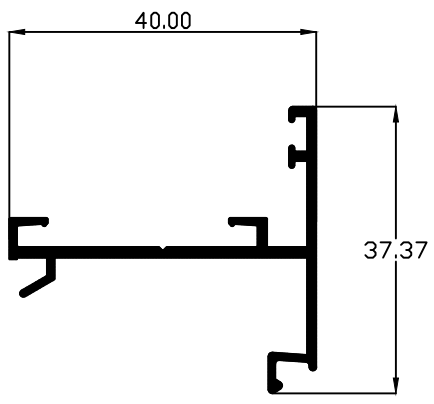
SECTION. NO	WT.Kgs/Mtr
31044	0.791



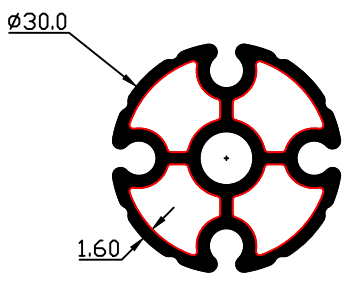
SECTION. NO	WT.Kgs/Mtr
31043	0.320



SECTION. NO	WT.Kgs/Mtr
31046	0.370

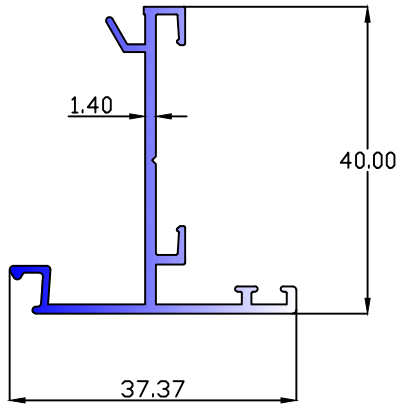


SECTION. NO	WT.Kgs/Mtr
31045	0.729

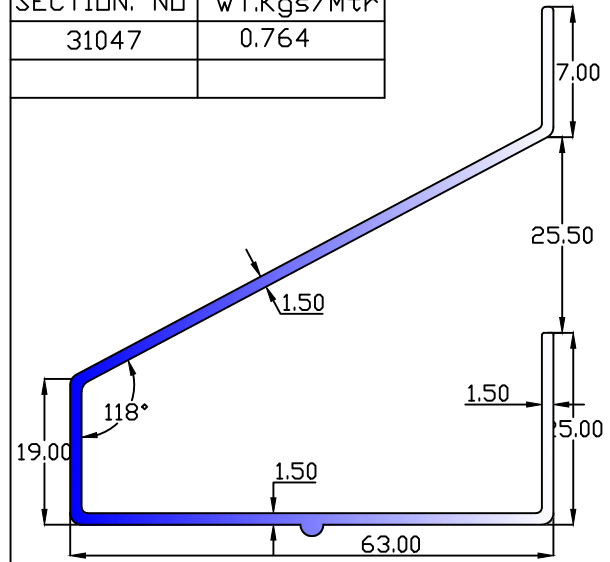


PARAGON ALUMINIUM L.L.P

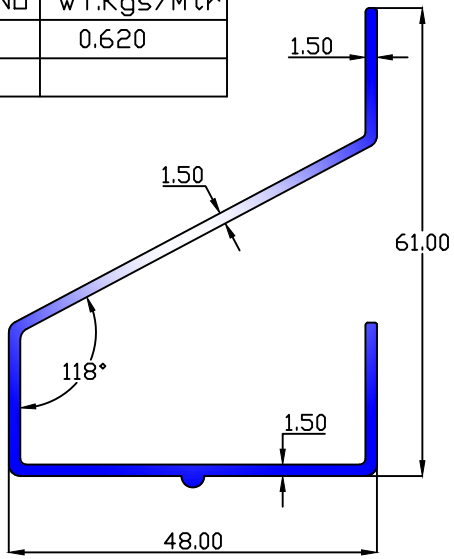
SECTION. NO	WT.Kgs/Mtr
31046	0.362



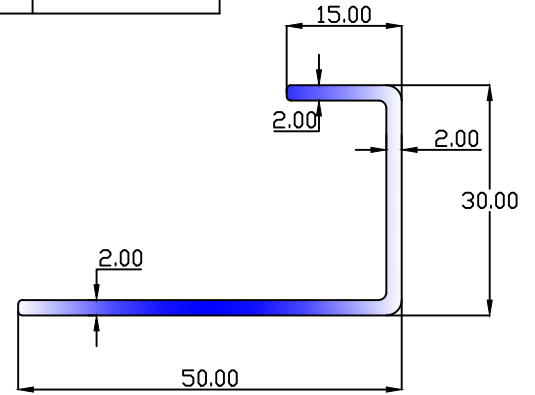
SECTION. NO	WT.Kgs/Mtr
31047	0.764



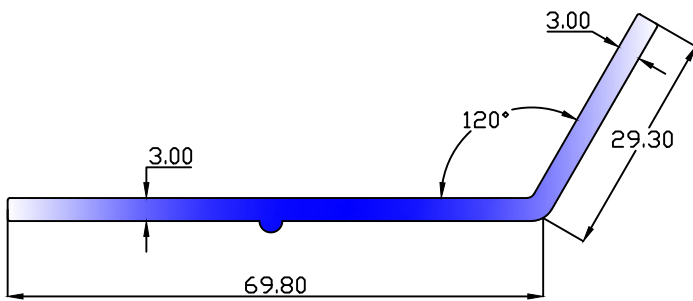
SECTION. NO	WT.Kgs/Mtr
31048	0.620



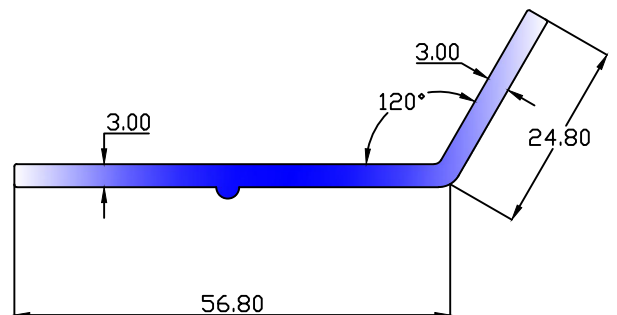
SECTION. NO	WT.Kgs/Mtr
31049	0.387



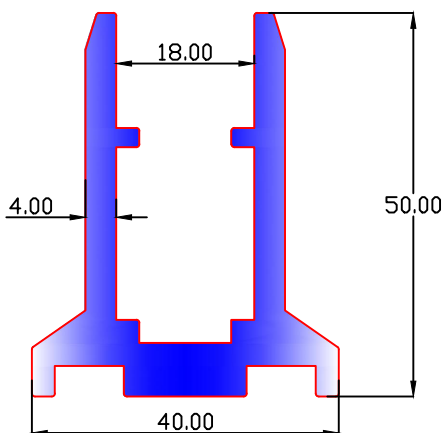
SECTION. NO	WT.Kgs/Mtr
31050	0.800



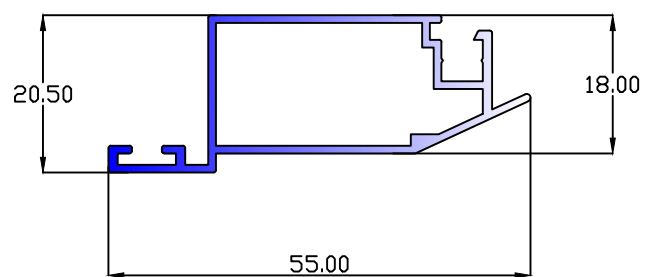
SECTION. NO	WT.Kgs/Mtr
31051	0.658



SECTION. NO	WT.Kgs/Mtr
31052	0.397

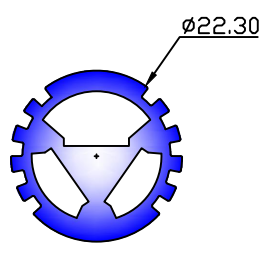


SECTION. NO	WT.Kgs/Mtr
31053	0.397

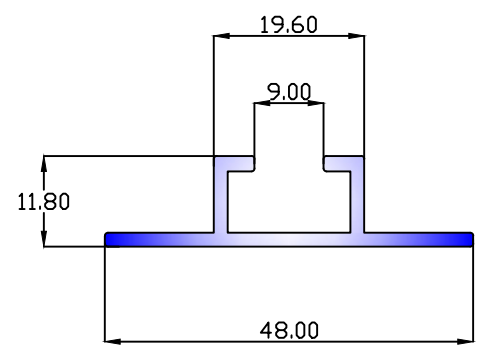


PARAGON ALUMINIUM L.L.P

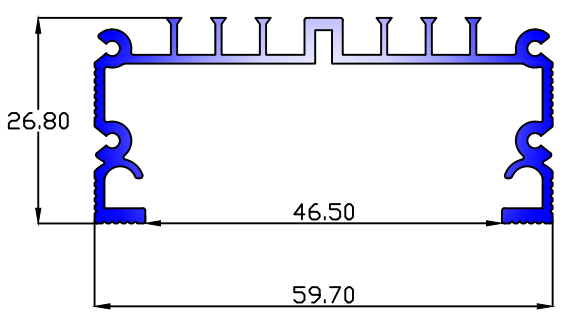
SECTION. NO	WT.Kgs/Mtr
31054	0.620



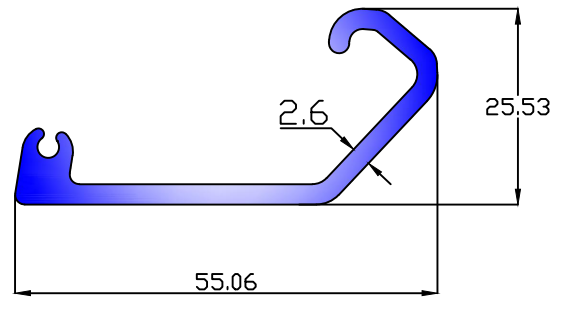
SECTION. NO	WT.Kgs/Mtr
31055	0.367



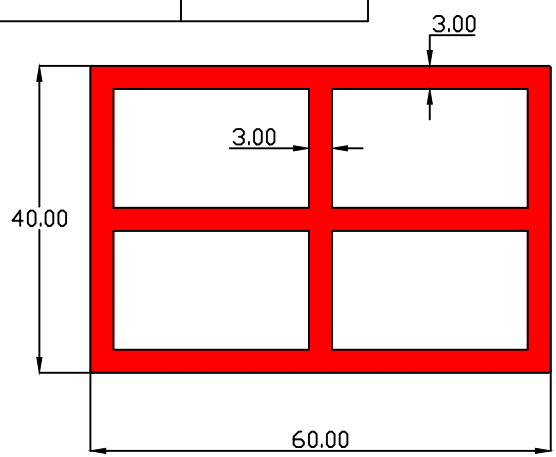
SECTION. NO	WT.Kgs/Mtr
31056	0.600



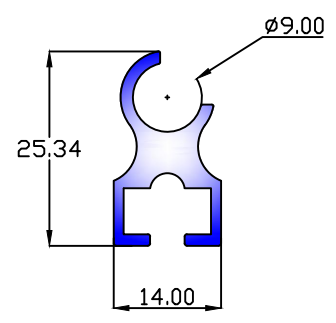
SECTION. NO	WT.Kgs/Mtr
31057	0.664



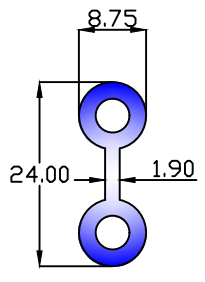
SECTION. NO	WT.Kgs/Mtr
31058	2.210



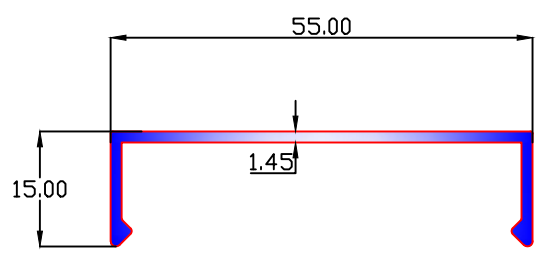
SECTION. NO	WT.Kgs/Mtr
31059	0.333



SECTION. NO	WT.Kgs/Mtr
31060	0.276

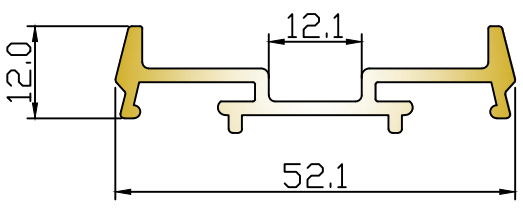


SECTION. NO	WT.Kgs/Mtr
31061	0.332

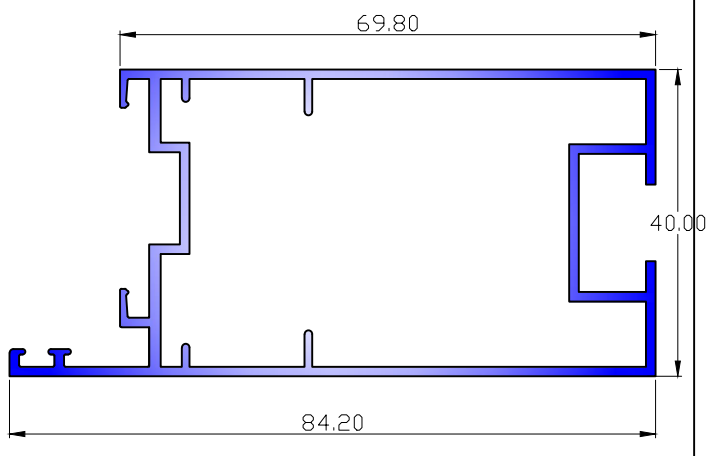


PARAGON ALUMINIUM L.L.P

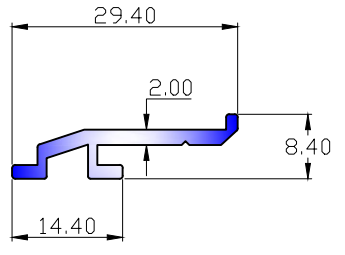
SECTION. NO	WT.Kgs/Mtr
31062	0.483



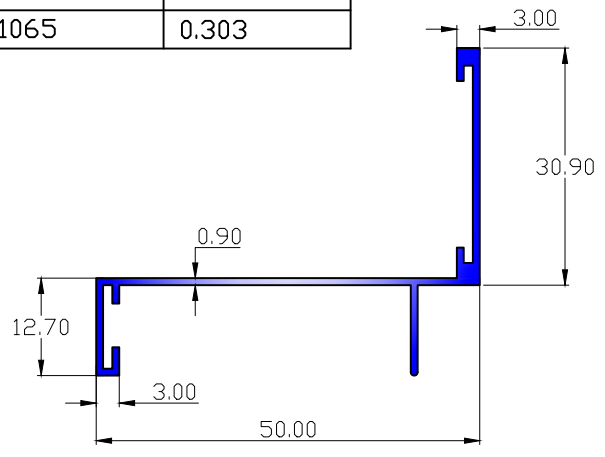
SECTION. NO	WT.Kgs/Mtr
31063	1.100



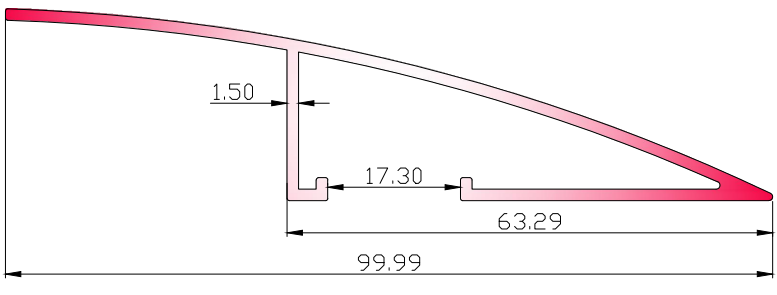
SECTION. NO	WT.Kgs/Mtr
31064	0.199



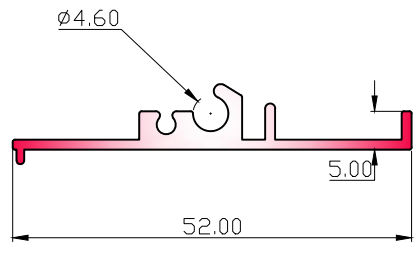
SECTION. NO	WT.Kgs/Mtr
31065	0.303



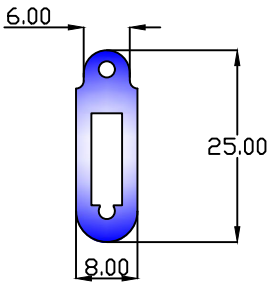
SECTION. NO	WT.Kgs/Mtr
31066	0.695



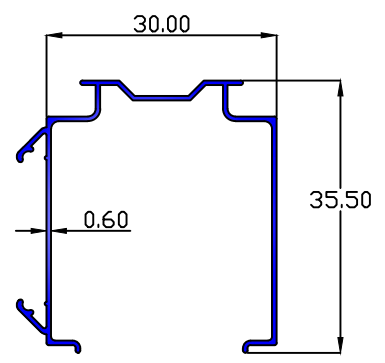
SECTION. NO	WT.Kgs/Mtr
31067	0.350



SECTION. NO	WT.Kgs/Mtr
31068	0.345

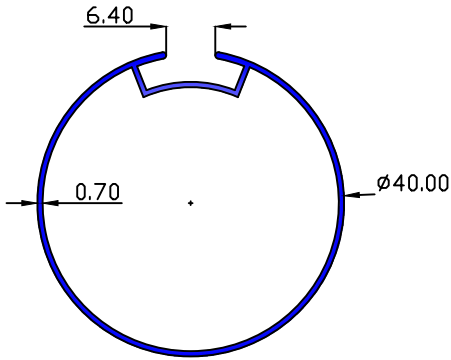


SECTION. NO	WT.Kgs/Mtr
31069	0.220

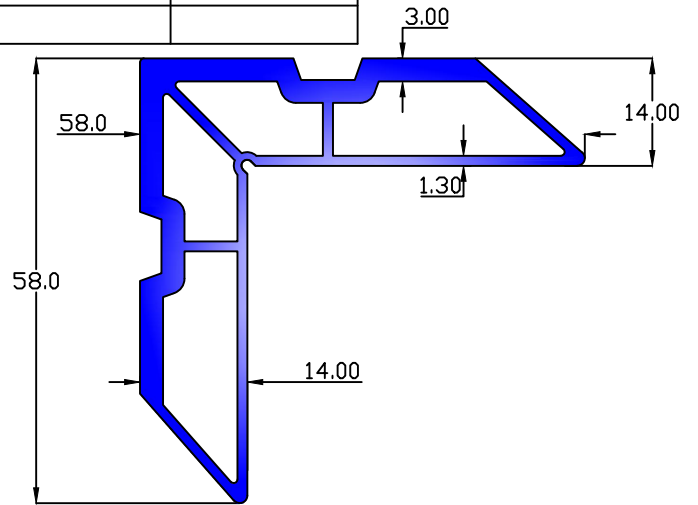


PARAGON ALUMINIUM L.L.P

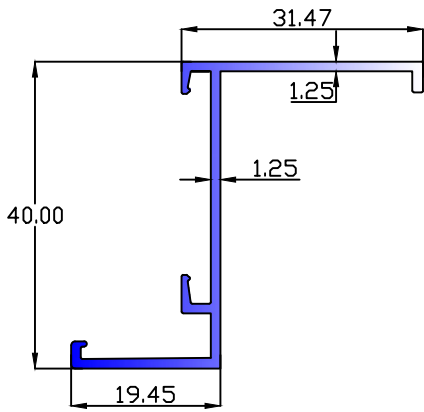
SECTION. NO	WT.Kgs/Mtr
31070	0.261



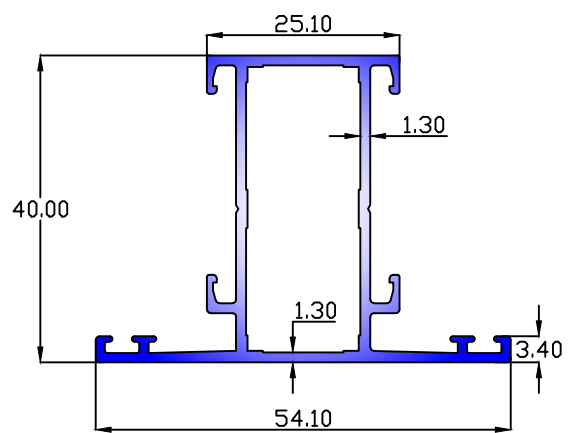
SECTION. NO	WT.Kgs/Mtr
31071	1.300



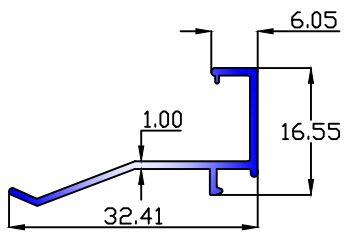
SECTION. NO	WT.Kgs/Mtr
31072	0.351



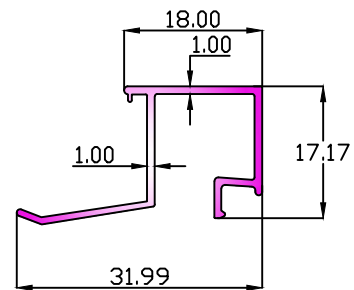
SECTION. NO	WT.Kgs/Mtr
31073	0.655



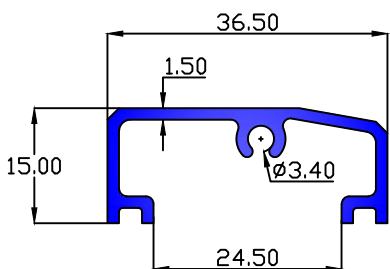
SECTION. NO	WT.Kgs/Mtr
31074	0.150



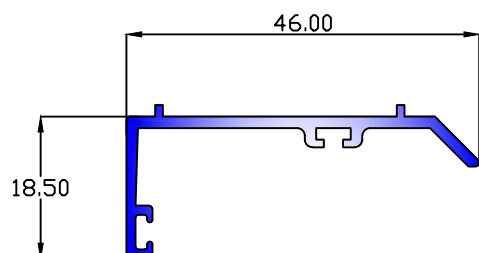
SECTION. NO	WT.Kgs/Mtr
31075	0.351



SECTION. NO	WT.Kgs/Mtr
31076	0.351

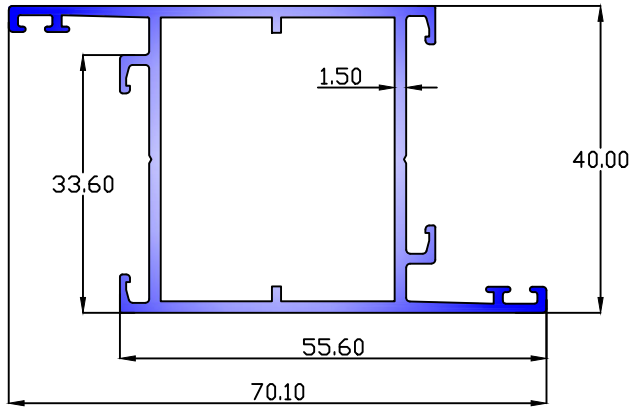


SECTION. NO	WT.Kgs/Mtr
31077	0.305

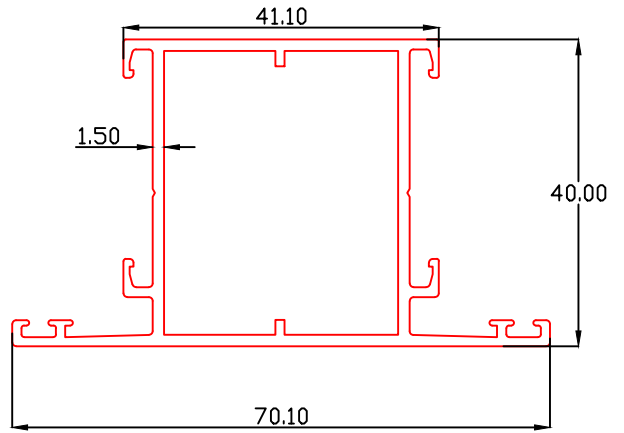


PARAGON ALUMINIUM L.L.P

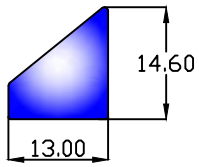
SECTION. NO	WT.Kgs/Mtr
31079	0.844



SECTION. NO	WT.Kgs/Mtr
31078	0.844



SECTION. NO	WT.Kgs/Mtr
31080	0.346



SECTION. NO	WT.Kgs/Mtr

SECTION. NO	WT.Kgs/Mtr

SECTION. NO	WT.Kgs/Mtr

SECTION. NO	WT.Kgs/Mtr

SECTION. NO	WT.Kgs/Mtr