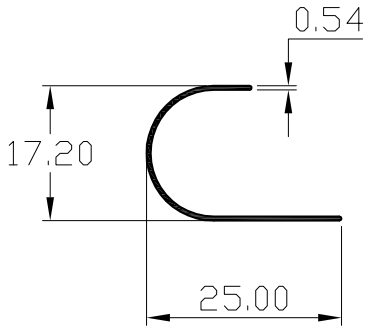
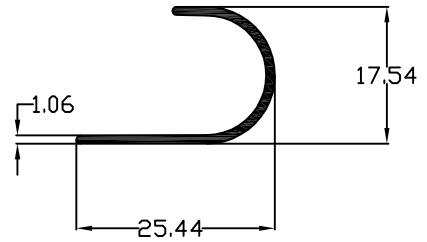


PARAGON ALUMINIUM L.L.P

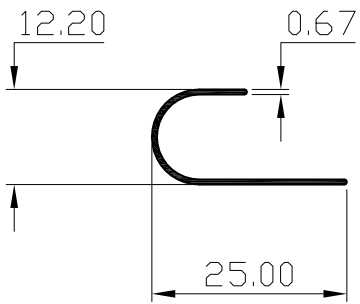
| SECTION. NO | WT.Kgs/Mtr |
|-------------|------------|
| 900/1 | 0.069 |
| | |



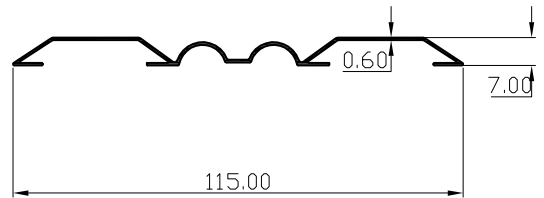
| SECTION. NO | WT.Kgs/Mtr |
|-------------|------------|
| 901 | 0.138 |
| | |



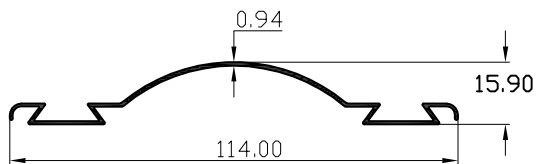
| SECTION. NO | WT.Kgs/Mtr |
|-------------|------------|
| 904/2 | 0.077 |
| | |



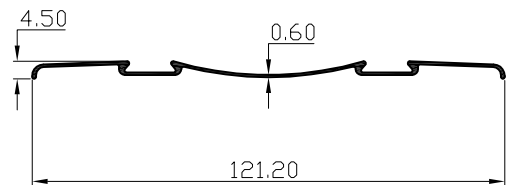
| SECTION. NO | WT.Kgs/Mtr |
|-------------|------------|
| 905/1 | 0.528 |
| | |



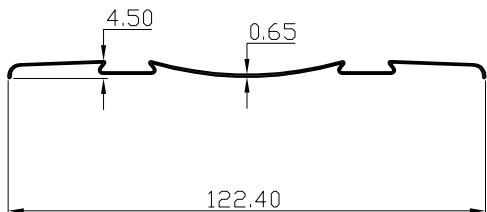
| SECTION. NO | WT.Kgs/Mtr |
|-------------|------------|
| 907/1 | 0.376 |
| | |



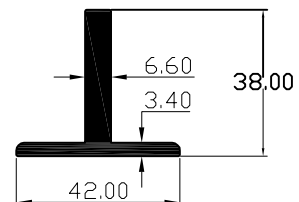
| SECTION. NO | WT.Kgs/Mtr |
|-------------|------------|
| 920/2 | 0.274 |
| | |



| SECTION. NO | WT.Kgs/Mtr |
|-------------|------------|
| 920/3 | 0.215 |
| | |

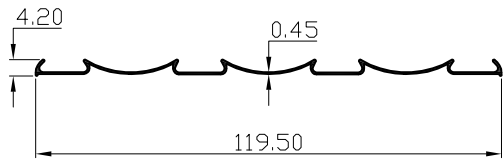


| SECTION. NO | WT.Kgs/Mtr |
|-------------|------------|
| 929 | 0.997 |
| | |

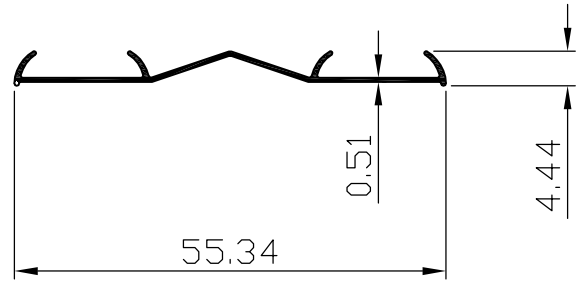


PARAGON ALUMINIUM L.L.P

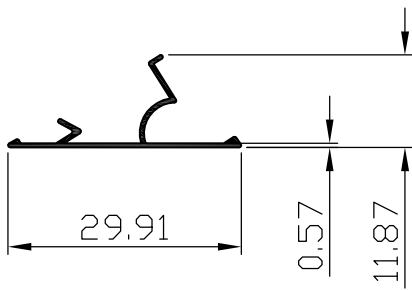
| SECTION. NO | WT.Kgs/Mtr |
|-------------|------------|
| 930/1 | 0.206 |
| | |



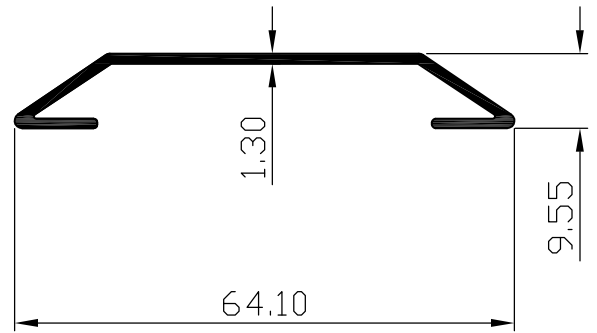
| SECTION. NO | WT.Kgs/Mtr |
|-------------|------------|
| 941 | 0.104 |
| | |



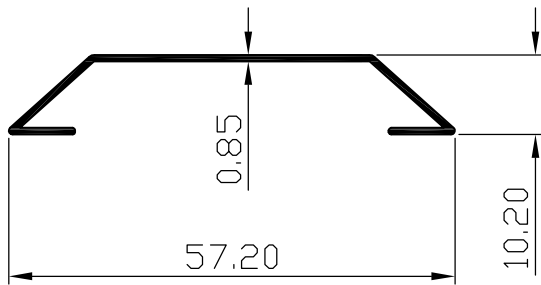
| SECTION. NO | WT.Kgs/Mtr |
|-------------|------------|
| 949 | 0.081 |
| | |



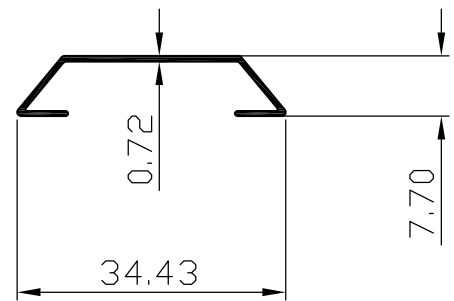
| SECTION. NO | WT.Kgs/Mtr |
|-------------|------------|
| 950 | 0.301 |
| | |



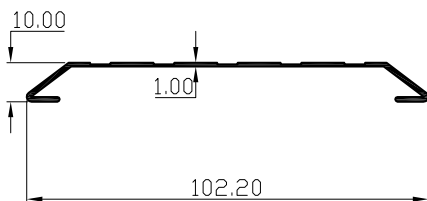
| SECTION. NO | WT.Kgs/Mtr |
|-------------|------------|
| 951/1 | 0.182 |
| | |



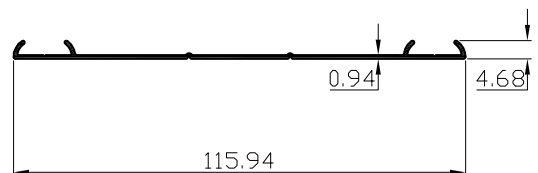
| SECTION. NO | WT.Kgs/Mtr |
|-------------|------------|
| 952 | 0.097 |
| | |



| SECTION. NO | WT.Kgs/Mtr |
|-------------|------------|
| 954 | 0.328 |
| | |

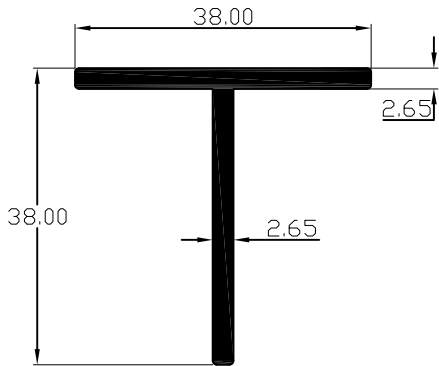


| SECTION. NO | WT.Kgs/Mtr |
|-------------|------------|
| 961 | 0.342 |
| | |

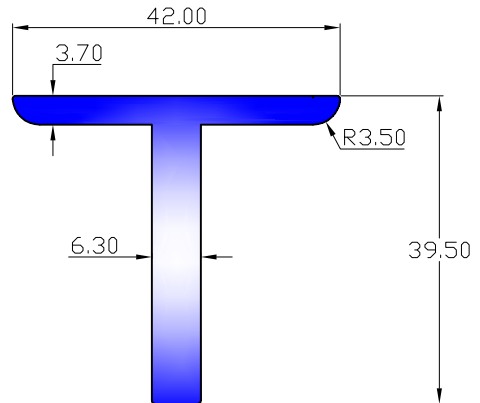


PARAGON ALUMINIUM L.L.P

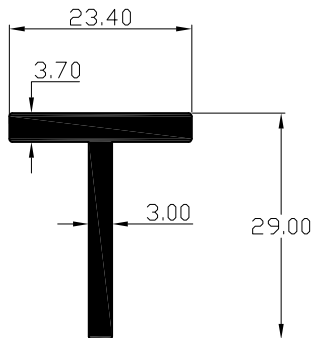
| SECTION. NO | WT.Kgs/Mtr |
|-------------|------------|
| 962 | 0.523 |
| | |



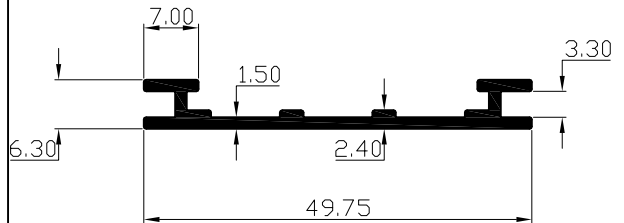
| SECTION. NO | WT.Kgs/Mtr |
|-------------|------------|
| 963 | 1.013 |
| | |



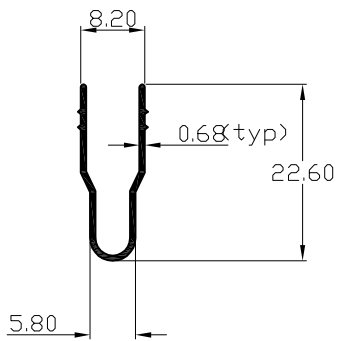
| SECTION. NO | WT.Kgs/Mtr |
|-------------|------------|
| 964 | 0.438 |
| | |



| SECTION. NO | WT.Kgs/Mtr |
|-------------|------------|
| 986 | 0.313 |
| | |



| SECTION. NO | WT.Kgs/Mtr |
|-------------|------------|
| 987 | 0.089 |
| | |



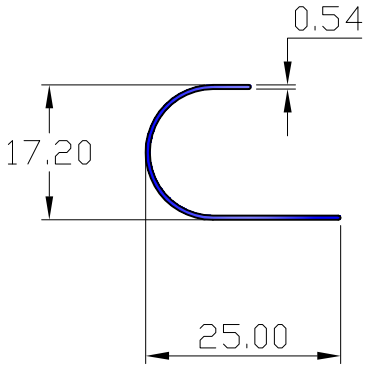
| SECTION. NO | WT.Kgs/Mtr |
|-------------|------------|
| | |
| | |

| SECTION. NO | WT.Kgs/Mtr |
|-------------|------------|
| | |
| | |

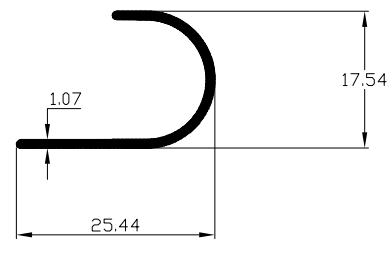
| SECTION. NO | WT.Kgs/Mtr |
|-------------|------------|
| | |
| | |

PARAGON ALUMINIUM L.L.P

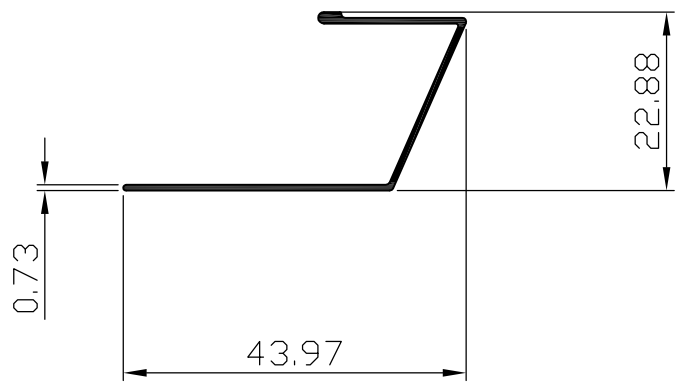
| SECTION. NO | WT.Kgs/Mtr |
|-------------|------------|
| 900/1 | 0.069 |
| | |



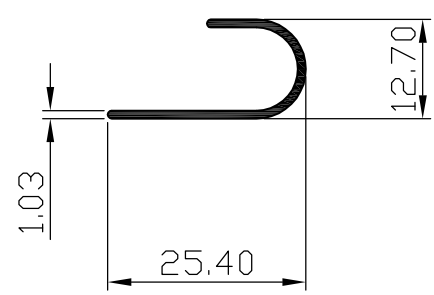
| SECTION. NO | WT.Kgs/Mtr |
|-------------|------------|
| 901 | 0.138 |
| | |



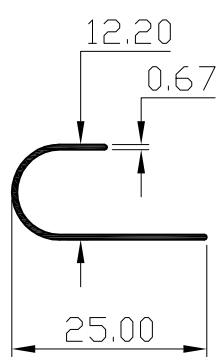
| SECTION. NO | WT.Kgs/Mtr |
|-------------|------------|
| 902/5 | 0.156 |
| | |



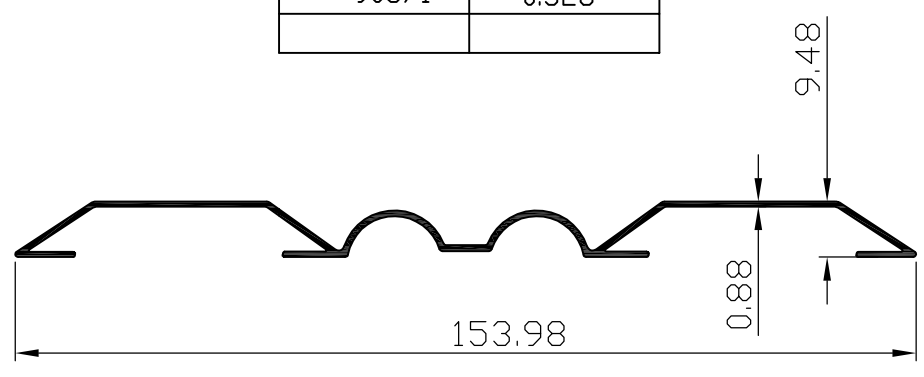
| SECTION. NO | WT.Kgs/Mtr |
|-------------|------------|
| 904/1 | 0.121 |
| | |



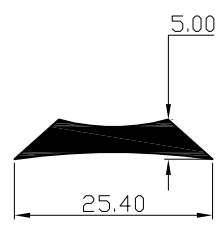
| SECTION. NO | WT.Kgs/Mtr |
|-------------|------------|
| 904/2 | 0.077 |
| | |



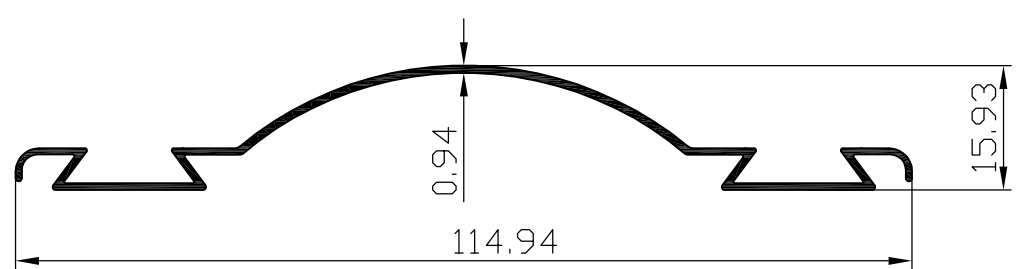
| SECTION. NO | WT.Kgs/Mtr |
|-------------|------------|
| 905/1 | 0.528 |
| | |



| SECTION. NO | WT.Kgs/Mtr |
|-------------|------------|
| 906 | 0.203 |
| | |

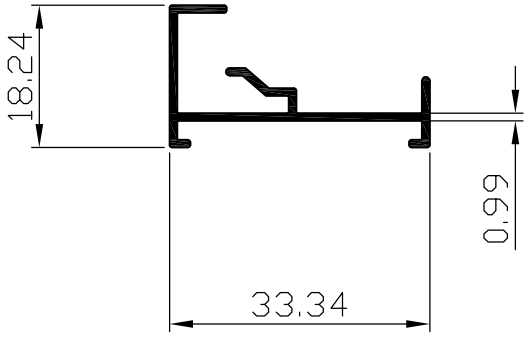


| SECTION. NO | WT.Kgs/Mtr |
|-------------|------------|
| 907/1 | 0.376 |
| | |

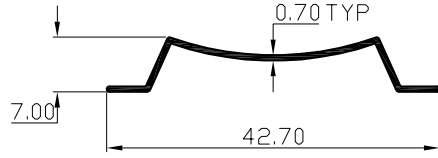


PARAGON ALUMINIUM L.L.P

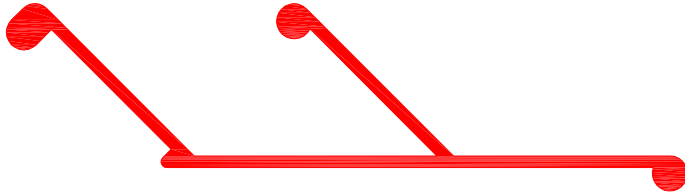
| SECTION. NO | WT.Kgs/Mtr |
|-------------|------------|
| 908 | 0.214 |
| | |



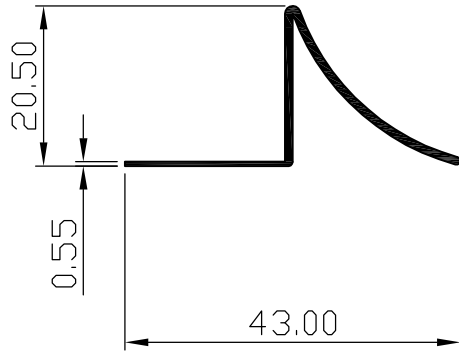
| SECTION. NO | WT.Kgs/Mtr |
|-------------|------------|
| 909 | 0.096 |
| | |



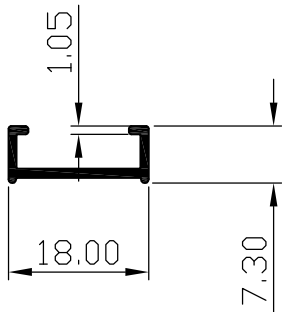
| SECTION. NO | WT.Kgs/Mtr |
|-------------|------------|
| 911 | 0.609 |
| | |



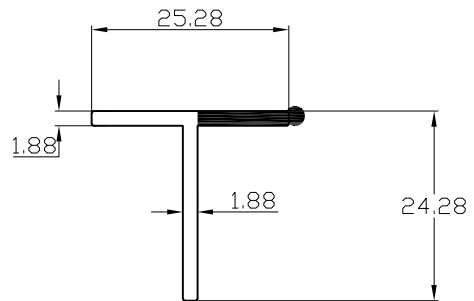
| SECTION. NO | WT.Kgs/Mtr |
|-------------|------------|
| 913 | 0.166 |
| | |



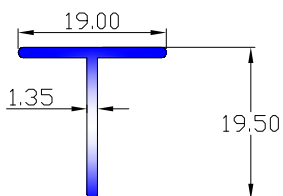
| SECTION. NO | WT.Kgs/Mtr |
|-------------|------------|
| 914 | 0.099 |
| | |



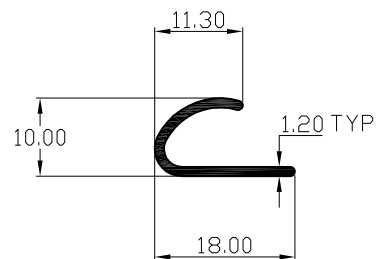
| SECTION. NO | WT.Kgs/Mtr |
|-------------|------------|
| 915/1 | 0.241 |
| | |



| SECTION. NO | WT.Kgs/Mtr |
|-------------|------------|
| 918 | 0.133 |
| | |



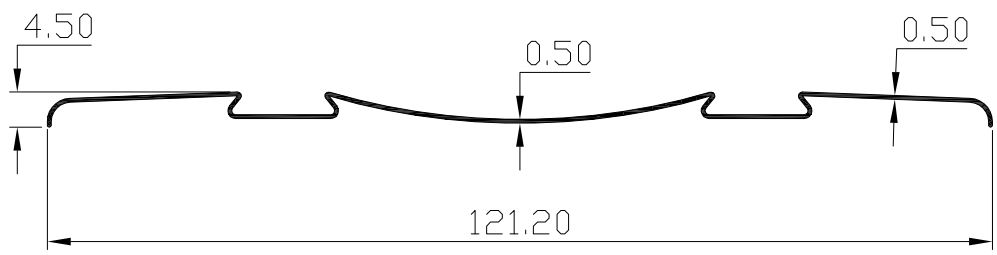
| SECTION. NO | WT.Kgs/Mtr |
|-------------|------------|
| 919 | 0.104 |
| | |



PARAGON ALUMINIUM L.L.P

| SECTION. NO | WT.Kgs/Mtr |
|-------------|------------|
| 920/2 | 0.192 |
| | |

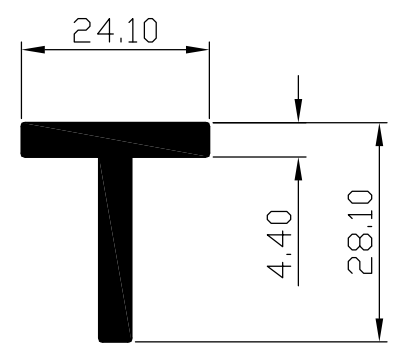
| SECTION. NO | WT.Kgs/Mtr |
|-------------|------------|
| | |
| | |



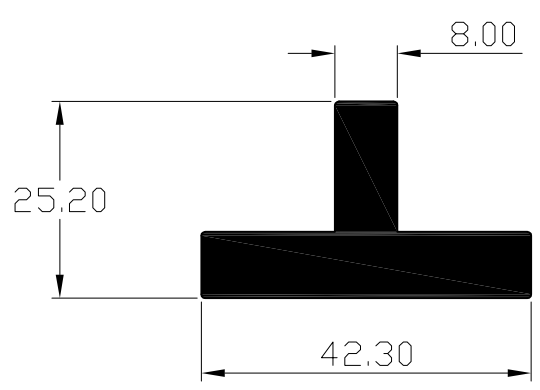
| SECTION. NO | WT.Kgs/Mtr |
|-------------|------------|
| 924 | 0.231 |
| | |



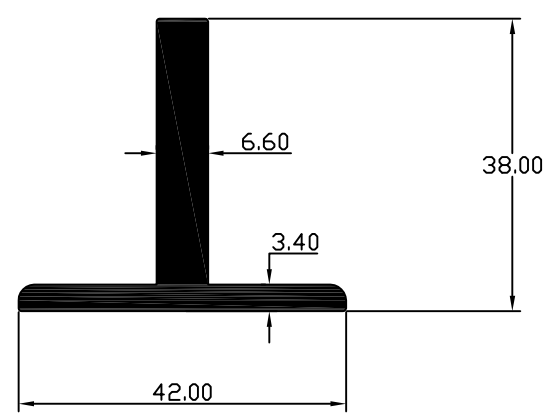
| SECTION. NO | WT.Kgs/Mtr |
|-------------|------------|
| 926 | 0.554 |
| | |



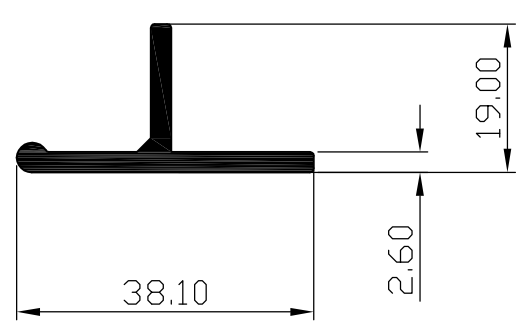
| SECTION. NO | WT.Kgs/Mtr |
|-------------|------------|
| 928 | 1.330 |
| | |



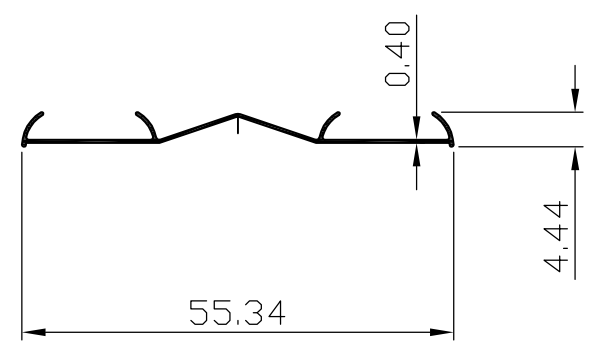
| SECTION. NO | WT.Kgs/Mtr |
|-------------|------------|
| 929 | 0.997 |
| | |



| SECTION. NO | WT.Kgs/Mtr |
|-------------|------------|
| 939 | 0.393 |
| | |

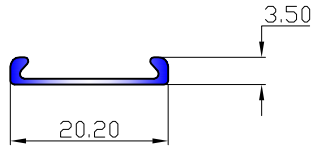


| SECTION. NO | WT.Kgs/Mtr |
|-------------|------------|
| 941 | 0.0813 |
| | |

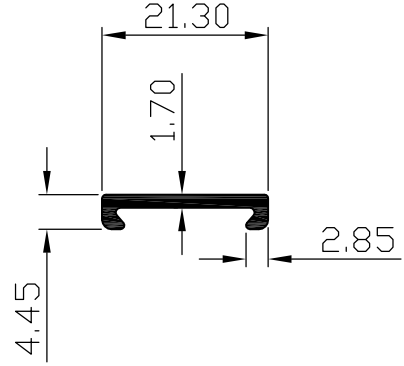


PARAGON ALUMINIUM L.L.P

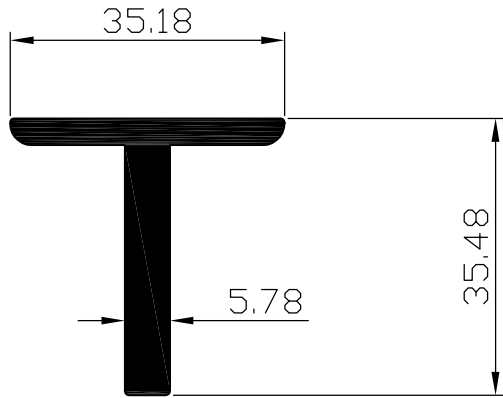
| SECTION. NO | WT.Kgs/Mtr |
|-------------|------------|
| 942 | 0.064 |
| | |



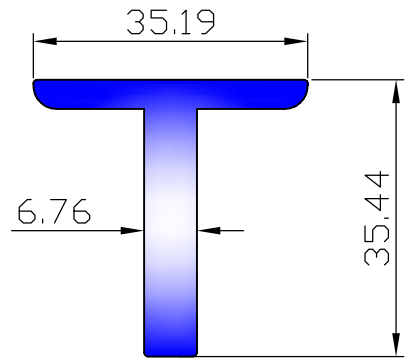
| SECTION. NO | WT.Kgs/Mtr |
|-------------|------------|
| 942-1 | 0.129 |
| | |



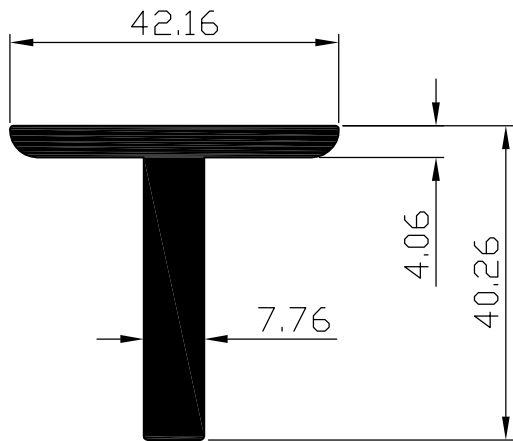
| SECTION. NO | WT.Kgs/Mtr |
|-------------|------------|
| 944 | 0.816 |
| | |



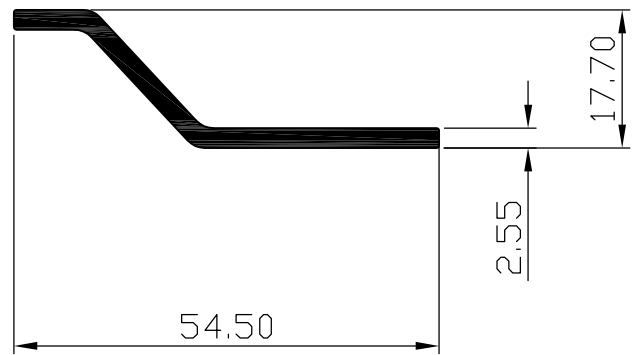
| SECTION. NO | WT.Kgs/Mtr |
|-------------|------------|
| 945 | 0.920 |
| | |



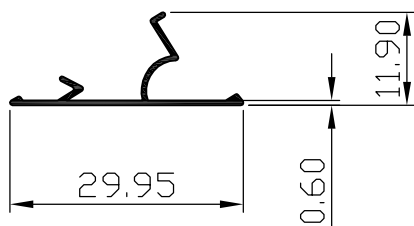
| SECTION. NO | WT.Kgs/Mtr |
|-------------|------------|
| 946 | 1.206 |
| | |



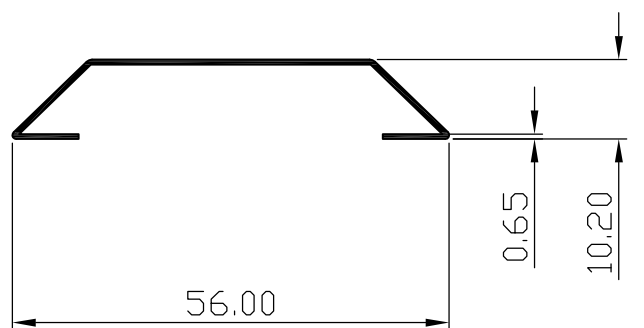
| SECTION. NO | WT.Kgs/Mtr |
|-------------|------------|
| 948 | 0.420 |
| | |



| SECTION. NO | WT.Kgs/Mtr |
|-------------|------------|
| 949 | 0.087 |
| | |

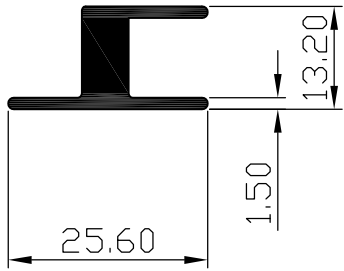


| SECTION. NO | WT.Kgs/Mtr |
|-------------|------------|
| 951./2 | 0.139 |
| | |

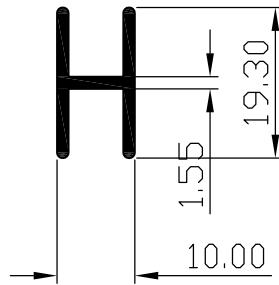


PARAGON ALUMINIUM L.L.P

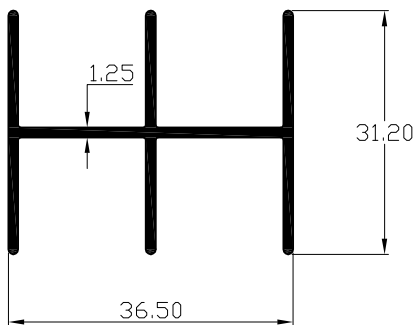
| SECTION. NO | WT.Kgs/Mtr |
|-------------|------------|
| 802 | 0.332 |
| | |



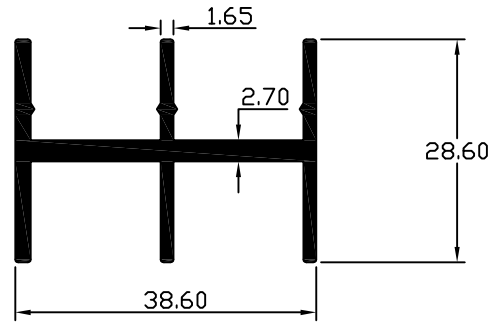
| SECTION. NO | WT.Kgs/Mtr |
|-------------|------------|
| 803 | 0.183 |
| | |



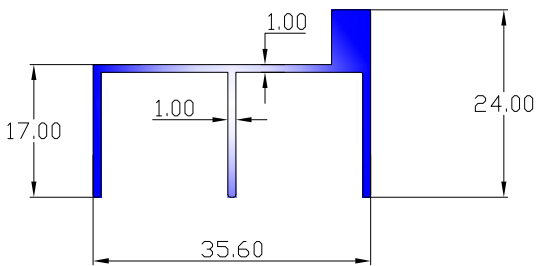
| SECTION. NO | WT.Kgs/Mtr |
|-------------|------------|
| 805 | 0.424 |
| | |



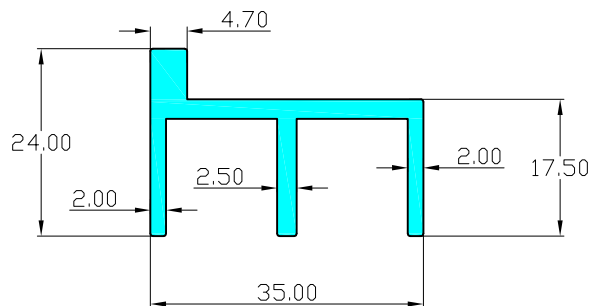
| SECTION. NO | WT.Kgs/Mtr |
|-------------|------------|
| 806 | 0.654 |
| | |



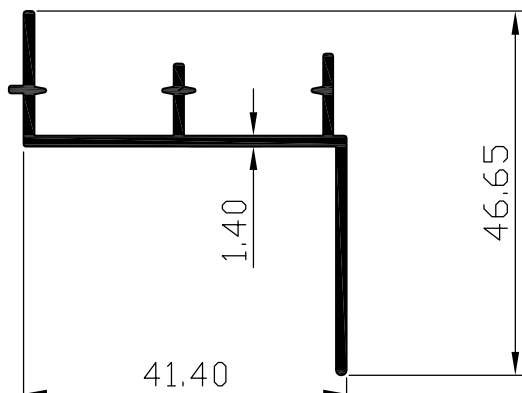
| SECTION. NO | WT.Kgs/Mtr |
|-------------|------------|
| 808 | 0.320 |
| | |



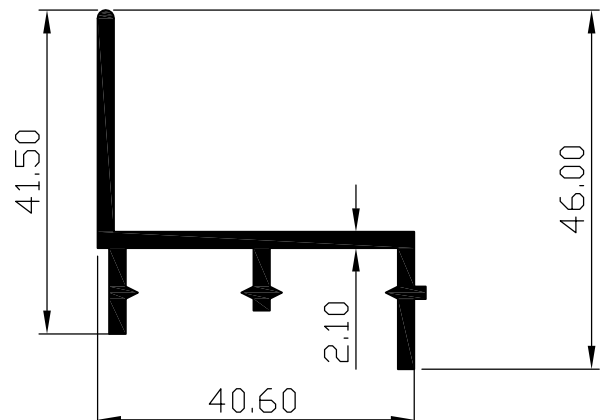
| SECTION. NO | WT.Kgs/Mtr |
|-------------|------------|
| 809 | 0.580 |
| | |



| SECTION. NO | WT.Kgs/Mtr |
|-------------|------------|
| 815/1 | 0.408 |
| | |

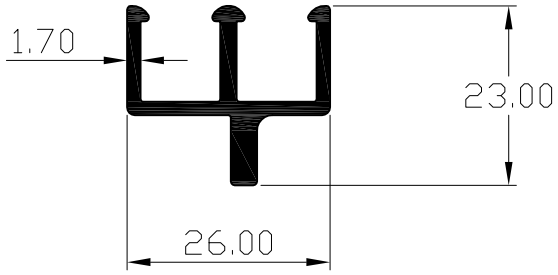


| SECTION. NO | WT.Kgs/Mtr |
|-------------|------------|
| 816 | 0.605 |
| | |

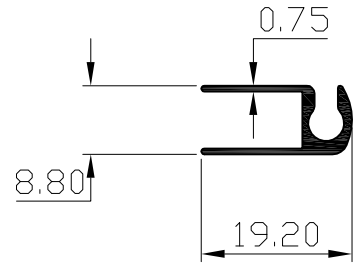


PARAGON ALUMINIUM L.L.P

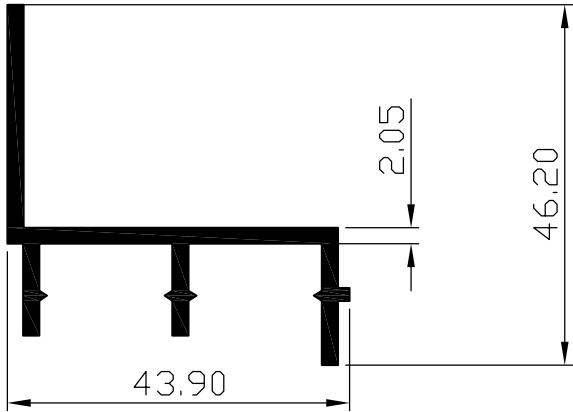
| SECTION. NO | WT.Kgs/Mtr |
|-------------|------------|
| 810 | 0.397 |
| | |



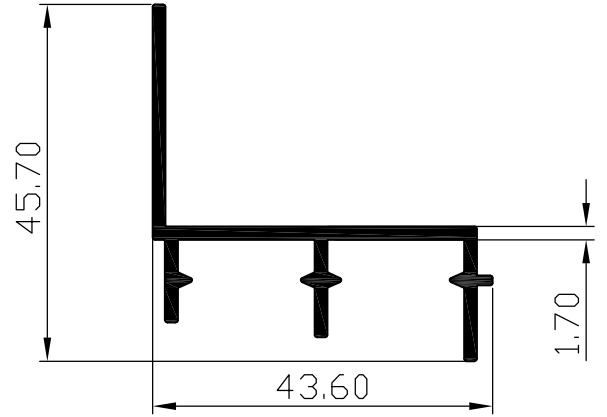
| SECTION. NO | WT.Kgs/Mtr |
|-------------|------------|
| 812/1 | 0.124 |
| | |



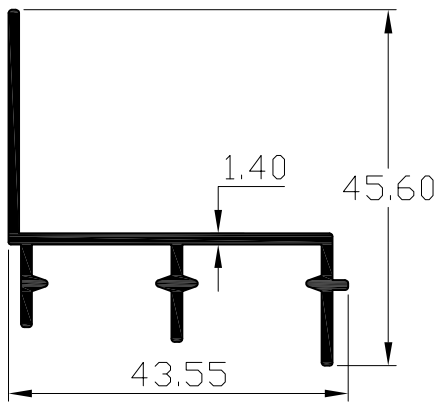
| SECTION. NO | WT.Kgs/Mtr |
|-------------|------------|
| 813 | 0.632 |
| | |



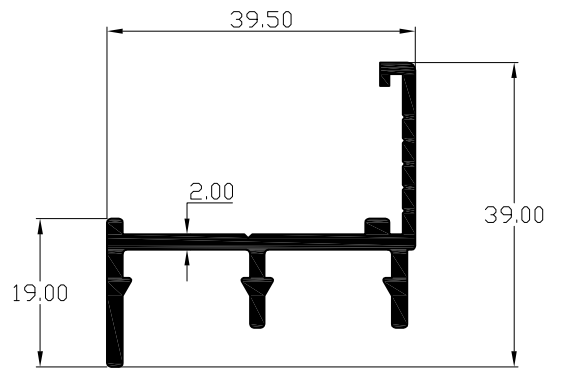
| SECTION. NO | WT.Kgs/Mtr |
|-------------|------------|
| 814 | 0.519 |
| P16 | |



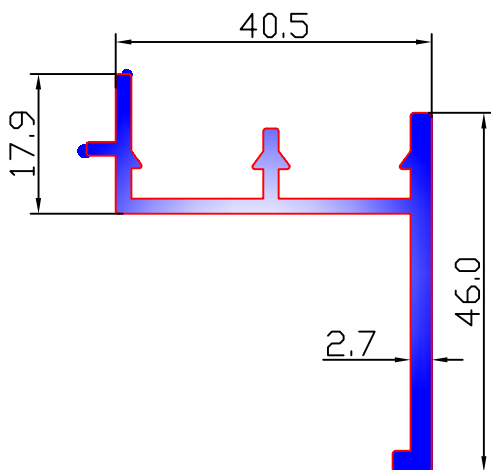
| SECTION. NO | WT.Kgs/Mtr |
|-------------|------------|
| 814/2 | 0.440 |
| | |



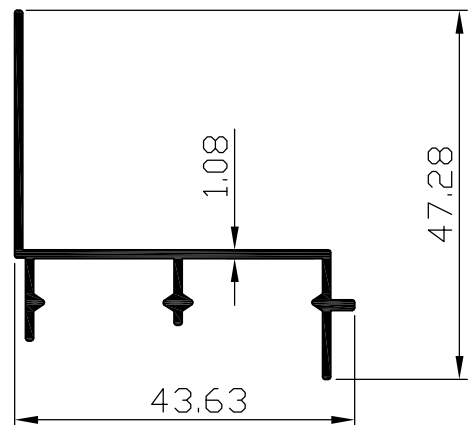
| SECTION. NO | WT.Kgs/Mtr |
|-------------|------------|
| 820 | 0.549 |
| | |



| SECTION. NO | WT.Kgs/Mtr |
|-------------|------------|
| 828 | 0.762 |
| | |

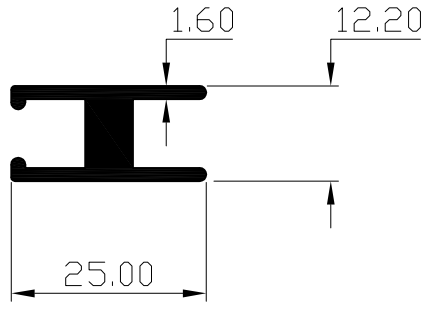


| SECTION. NO | WT.Kgs/Mtr |
|-------------|------------|
| 822 | 0.329 |
| | |

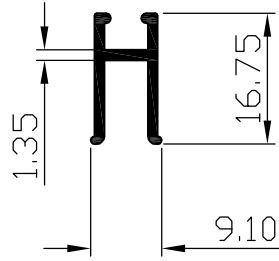


PARAGON ALUMINIUM L.L.P

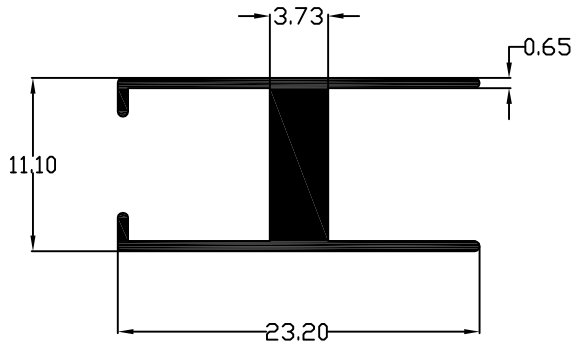
| SECTION. NO | WT.Kgs/Mtr |
|-------------|------------|
| 843/2 | 0.383 |
| | |



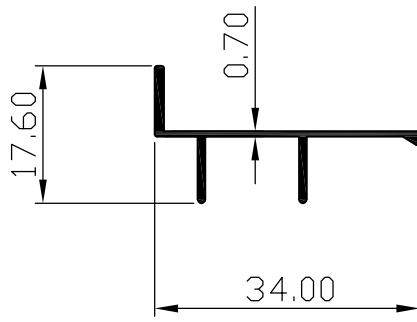
| SECTION. NO | WT.Kgs/Mtr |
|-------------|------------|
| 848 | 0.139 |
| | |



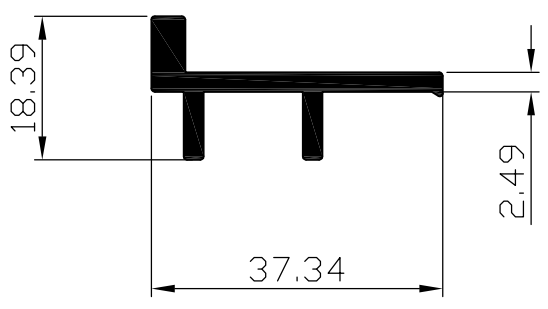
| SECTION. NO | WT.Kgs/Mtr |
|-------------|------------|
| 849/6 | 0.185 |
| | |



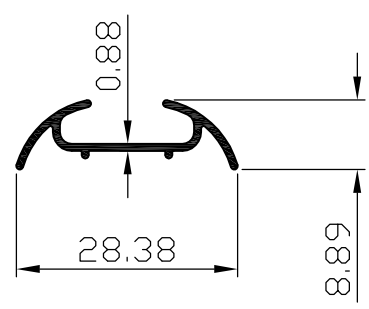
| SECTION. NO | WT.Kgs/Mtr |
|-------------|------------|
| 850/3 | 0.140 |
| | |



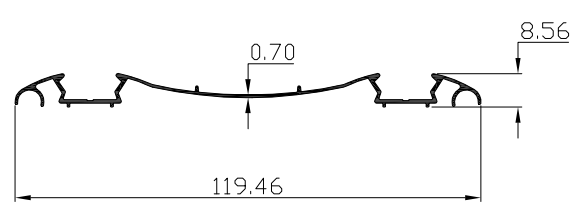
| SECTION. NO | WT.Kgs/Mtr |
|-------------|------------|
| 852 | 0.455 |
| | |



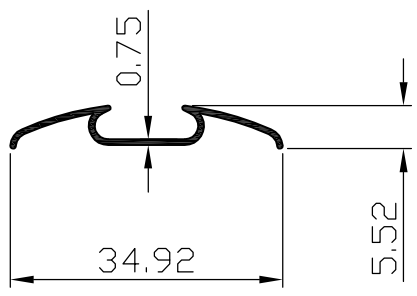
| SECTION. NO | WT.Kgs/Mtr |
|-------------|------------|
| 860 | 0.123 |
| | |



| SECTION. NO | WT.Kgs/Mtr |
|-------------|------------|
| 880/1 | 0.366 |
| | |

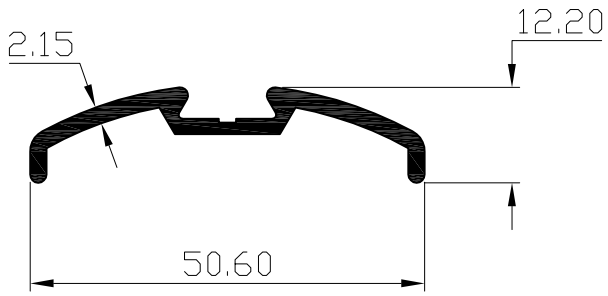


| SECTION. NO | WT.Kgs/Mtr |
|-------------|------------|
| 882/1 | 0.095 |
| | |

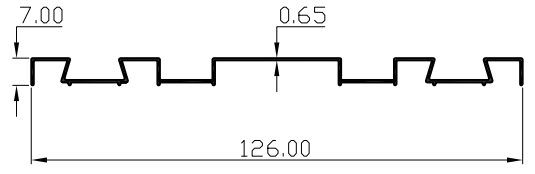


PARAGON ALUMINIUM L.L.P

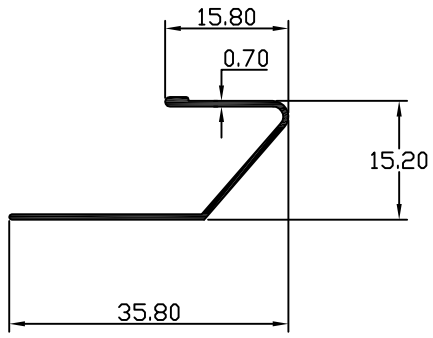
| SECTION. NO | WT.Kgs/Mtr |
|-------------|------------|
| 883 | 0.383 |
| | |



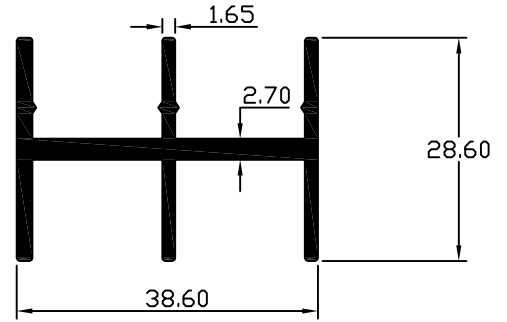
| SECTION. NO | WT.Kgs/Mtr |
|-------------|------------|
| 885/5 | 0.343 |
| | |



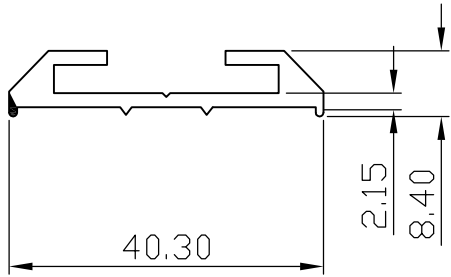
| SECTION. NO | WT.Kgs/Mtr |
|-------------|------------|
| 897 | 0.109 |
| | |



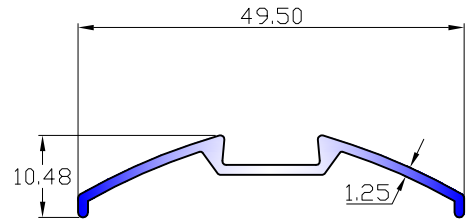
| SECTION. NO | WT.Kgs/Mtr |
|-------------|------------|
| 806 | 0.654 |
| | |



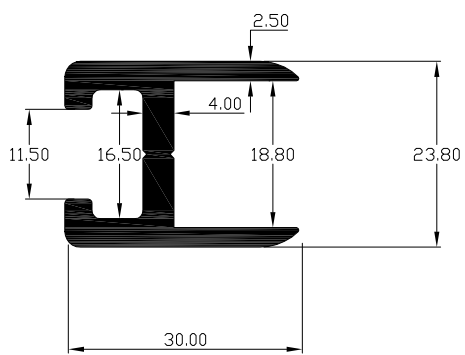
| SECTION. NO | WT.Kgs/Mtr |
|-------------|------------|
| 898/1 | 0.368 |
| | |



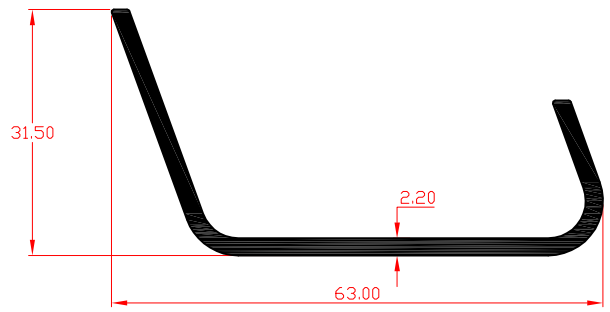
| SECTION. NO | WT.Kgs/Mtr |
|-------------|------------|
| 899 | 0.205 |
| | |



| SECTION. NO | WT.Kgs/Mtr |
|-------------|------------|
| 23011 | 0.695 |
| | |

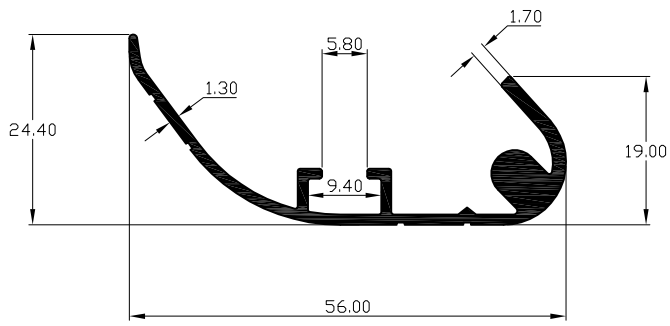


| SECTION. NO | WT.Kgs/Mtr |
|-------------|------------|
| 23013 | 0.582 |
| | |

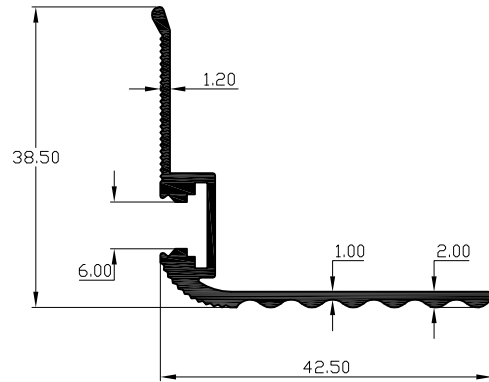


PARAGON ALUMINIUM L.L.P

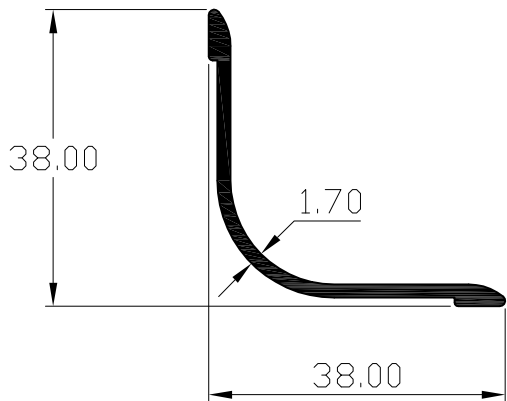
| SECTION. NO | WT.Kgs/Mtr |
|-------------|------------|
| 23014 | 0.471 |
| | |



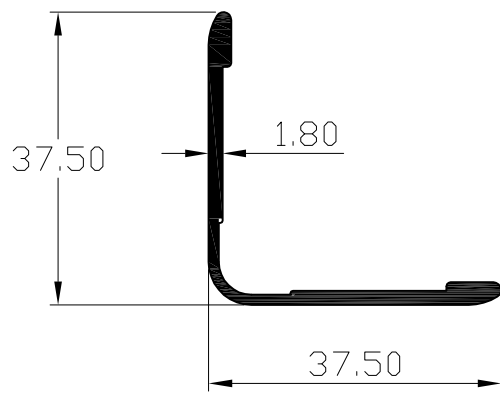
| SECTION. NO | WT.Kgs/Mtr |
|-------------|------------|
| 25016 | 0.359 |
| | |



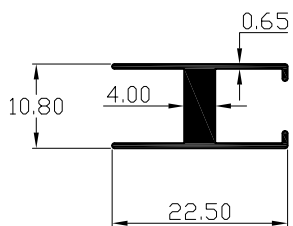
| SECTION. NO | WT.Kgs/Mtr |
|-------------|------------|
| 25001 | 0.326 |
| | |



| SECTION. NO | WT.Kgs/Mtr |
|-------------|------------|
| 25002 | 0.354 |
| | |



| SECTION. NO | WT.Kgs/Mtr |
|-------------|------------|
| 24007 | 0.186 |
| | |



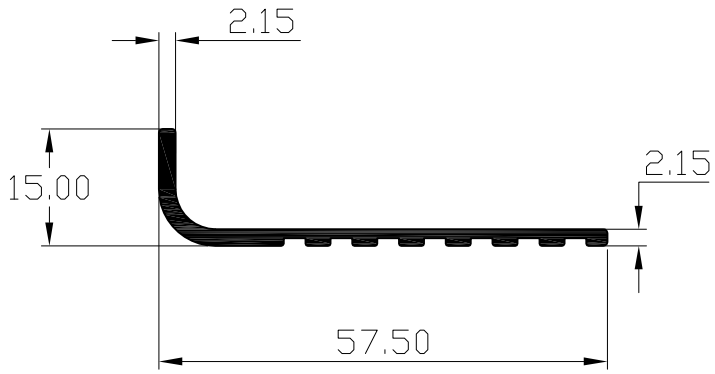
| SECTION. NO | WT.Kgs/Mtr |
|-------------|------------|
| | |
| | |

| SECTION. NO | WT.Kgs/Mtr |
|-------------|------------|
| | |
| | |

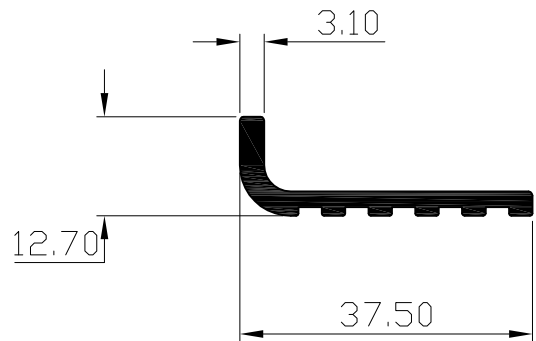
| SECTION. NO | WT.Kgs/Mtr |
|-------------|------------|
| | |
| | |

PARAGON ALUMINIUM L.L.P

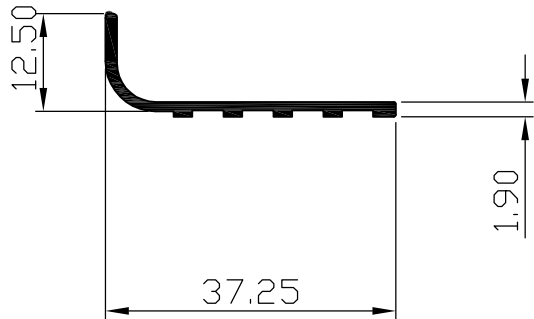
| SECTION. NO | WT.Kgs/Mtr |
|-------------|------------|
| 620 | 0.277 |
| | |



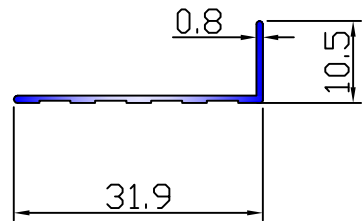
| SECTION. NO | WT.Kgs/Mtr |
|-------------|------------|
| 621 | 0.330 |
| | |



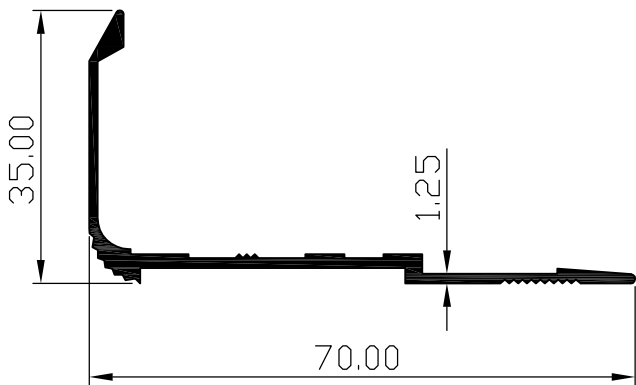
| SECTION. NO | WT.Kgs/Mtr |
|-------------|------------|
| 622/1 | 0.175 |
| | |



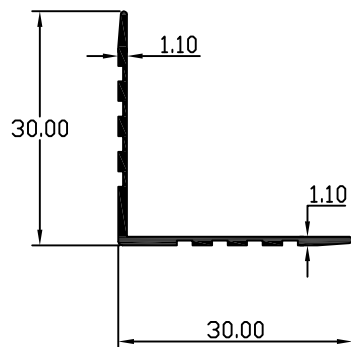
| SECTION. NO | WT.Kgs/Mtr |
|-------------|------------|
| 623 | 0.088 |
| | |



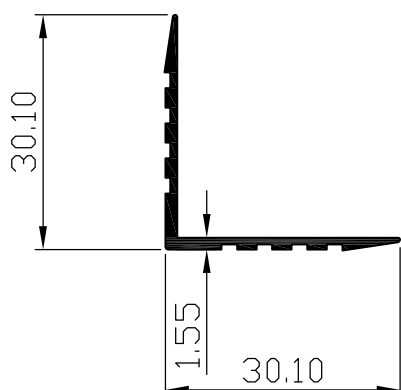
| SECTION. NO | WT.Kgs/Mtr |
|-------------|------------|
| 625 | 0.405 |
| | |



| SECTION. NO | WT.Kgs/Mtr |
|-------------|------------|
| 626 | 0.144 |
| | |



| SECTION. NO | WT.Kgs/Mtr |
|-------------|------------|
| 626/1 | 0.199 |
| | |

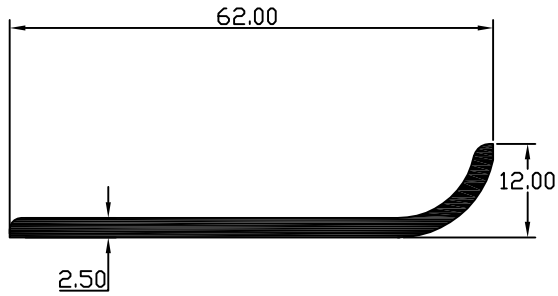


| SECTION. NO | WT.Kgs/Mtr |
|-------------|------------|
| 627 | 0.167 |
| | |

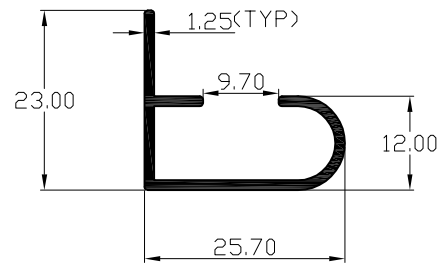


PARAGON ALUMINIUM L.L.P

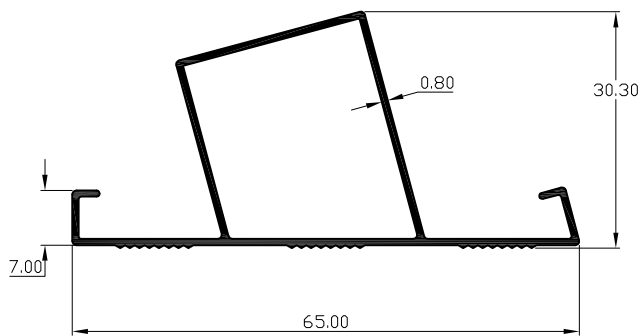
| SECTION. NO | WT.Kgs/Mtr |
|-------------|------------|
| 629 | 0.447 |
| | |



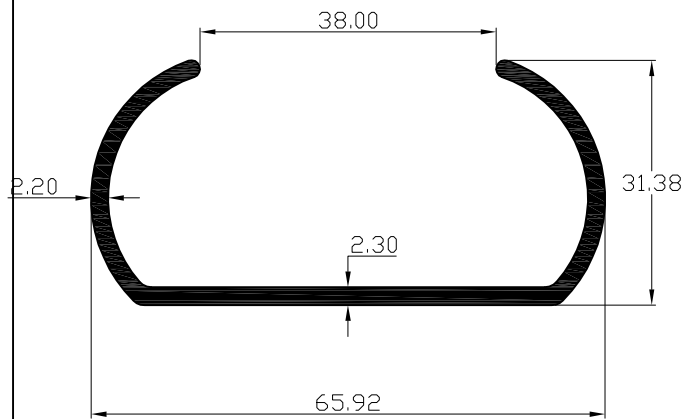
| SECTION. NO | WT.Kgs/Mtr |
|-------------|------------|
| 642 | 0.225 |
| | |



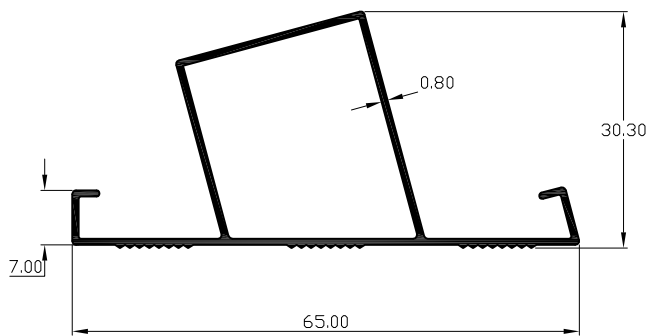
| SECTION. NO | WT.Kgs/Mtr |
|-------------|------------|
| 24020 | 0.362 |
| | |



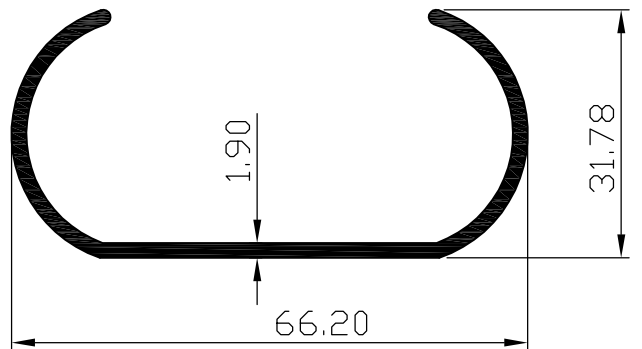
| SECTION. NO | WT.Kgs/Mtr |
|-------------|------------|
| 644 | 0.763 |
| | |



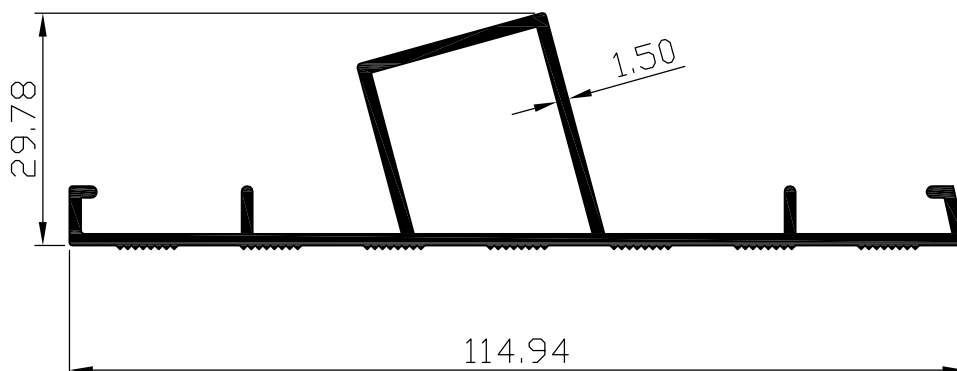
| SECTION. NO | WT.Kgs/Mtr |
|-------------|------------|
| 646 | 0.362 |
| | |



| SECTION. NO | WT.Kgs/Mtr |
|-------------|------------|
| 647 | 0.631 |
| | |



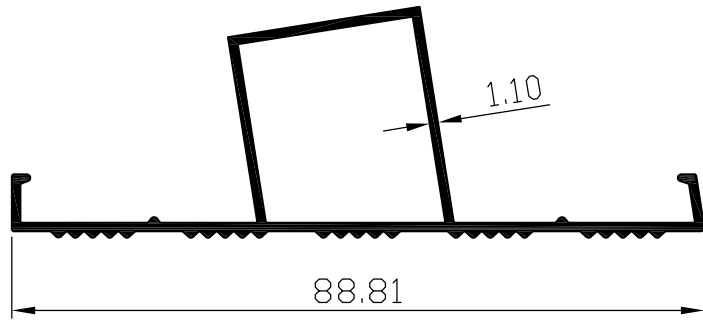
| SECTION. NO | WT.Kgs/Mtr |
|-------------|------------|
| 648 | 0.910 |
| | |



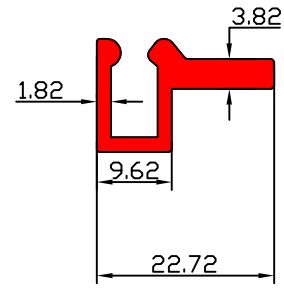
| SECTION. NO | WT.Kgs/Mtr |
|-------------|------------|
| | |
| | |

PARAGON ALUMINIUM L.L.P

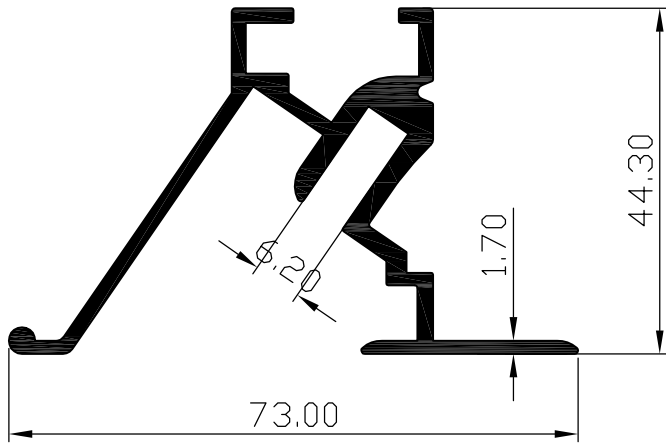
| SECTION. NO | WT.Kgs/Mtr |
|-------------|------------|
| 649 | 0.602 |
| | |



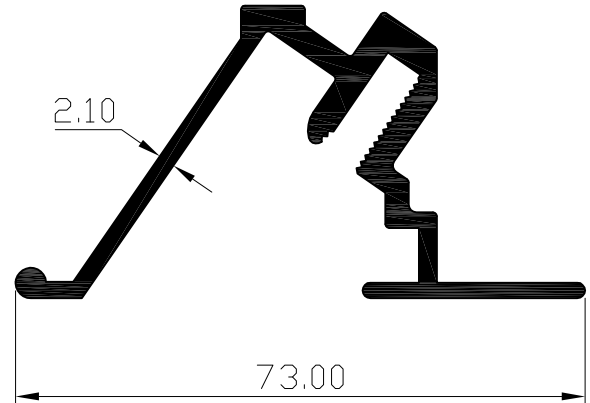
| SECTION. NO | WT.Kgs/Mtr |
|-------------|------------|
| 650 | 0.328 |
| | |



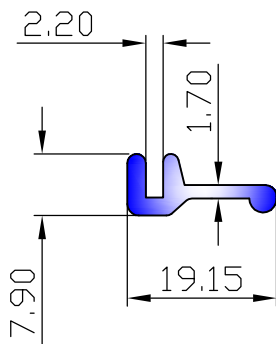
| SECTION. NO | WT.Kgs/Mtr |
|-------------|------------|
| 651 | 1.046 |
| | |



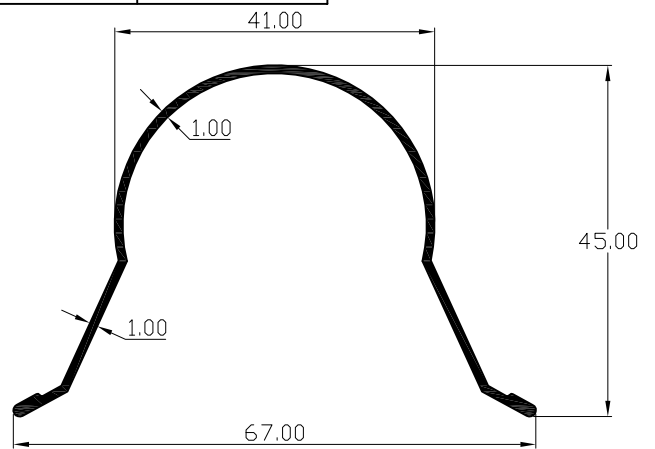
| SECTION. NO | WT.Kgs/Mtr |
|-------------|------------|
| 652-1 | 1.079 |
| | |



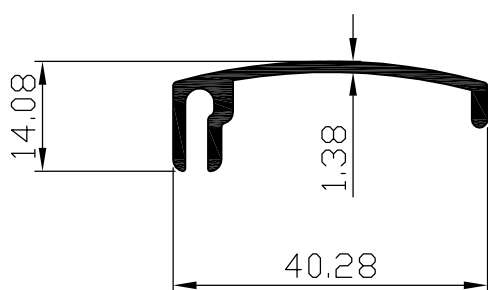
| SECTION. NO | WT.Kgs/Mtr |
|-------------|------------|
| 653 | 0.646 |
| | |



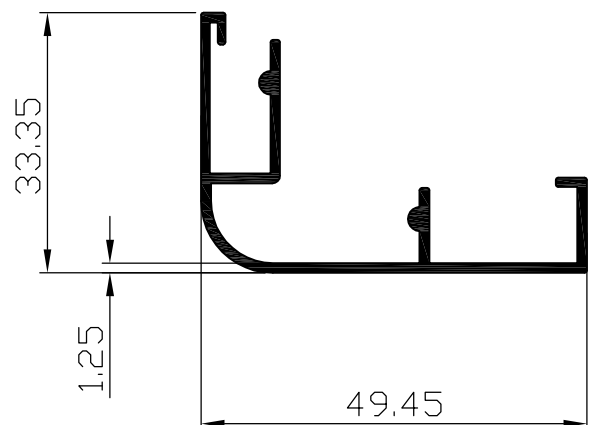
| SECTION. NO | WT.Kgs/Mtr |
|-------------|------------|
| 655 | 0.342 |
| | |



| SECTION. NO | WT.Kgs/Mtr |
|-------------|------------|
| 656 | 0.285 |
| | |

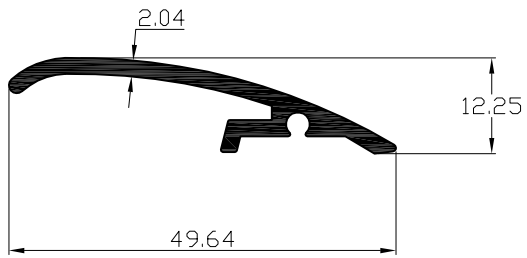


| SECTION. NO | WT.Kgs/Mtr |
|-------------|------------|
| 657 | 0.452 |
| | |

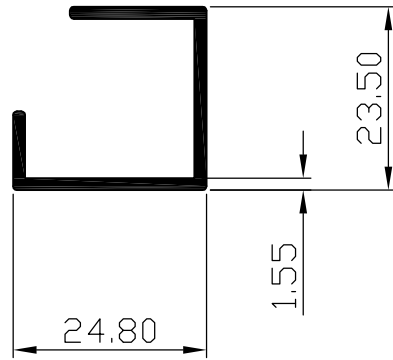


PARAGON ALUMINIUM L.L.P

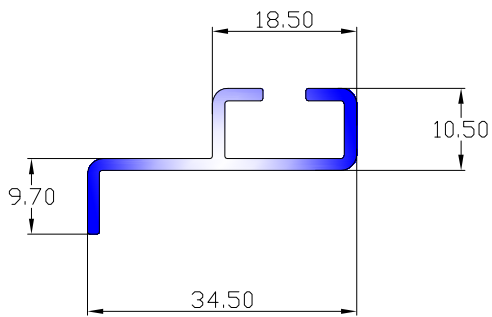
| SECTION. NO | WT.Kgs/Mtr |
|-------------|------------|
| 658 | 0.359 |
| | |



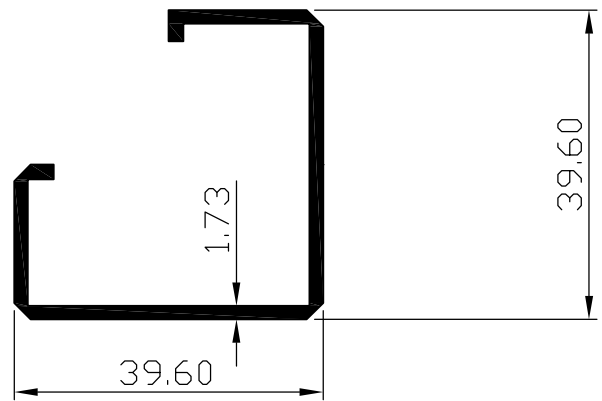
| SECTION. NO | WT.Kgs/Mtr |
|-------------|------------|
| 660 | 0.297 |
| | |



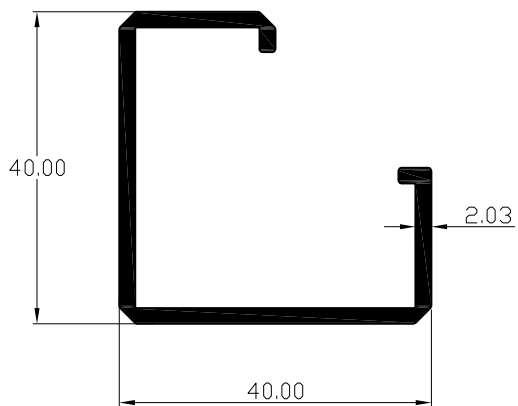
| SECTION. NO | WT.Kgs/Mtr |
|-------------|------------|
| 662 | 0.283 |
| | |



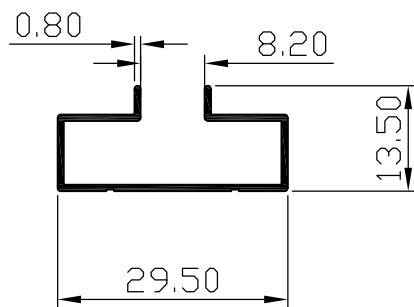
| SECTION. NO | WT.Kgs/Mtr |
|-------------|------------|
| 664 | 0.536 |
| | |



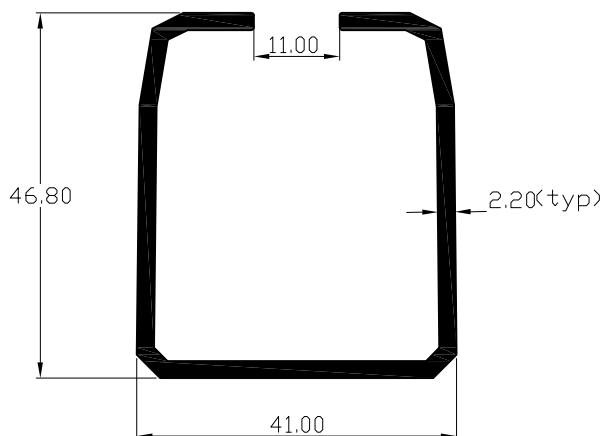
| SECTION. NO | WT.Kgs/Mtr |
|-------------|------------|
| 665 | 0.628 |
| | |



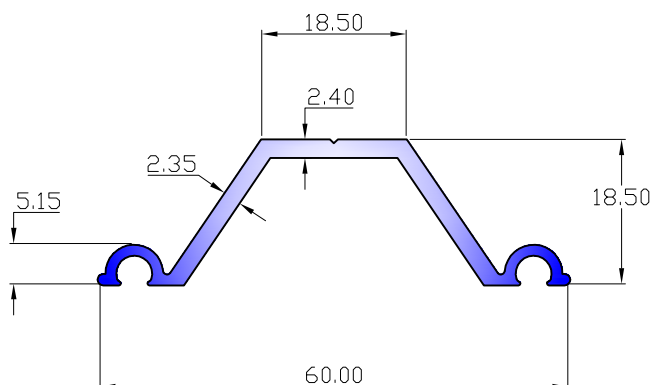
| SECTION. NO | WT.Kgs/Mtr |
|-------------|------------|
| 667 | 0.159 |
| | |



| SECTION. NO | WT.Kgs/Mtr |
|-------------|------------|
| 668 | 0.873 |
| | |

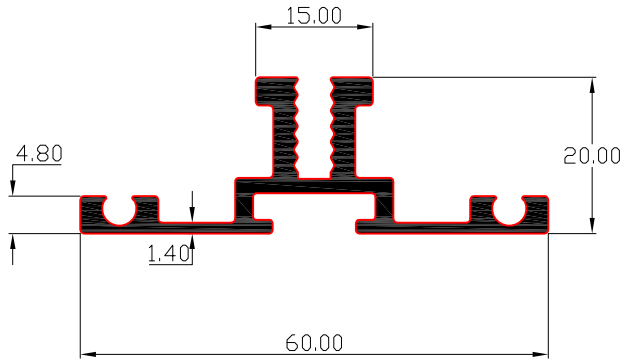


| SECTION. NO | WT.Kgs/Mtr |
|-------------|------------|
| 670 | 0.488 |
| | |

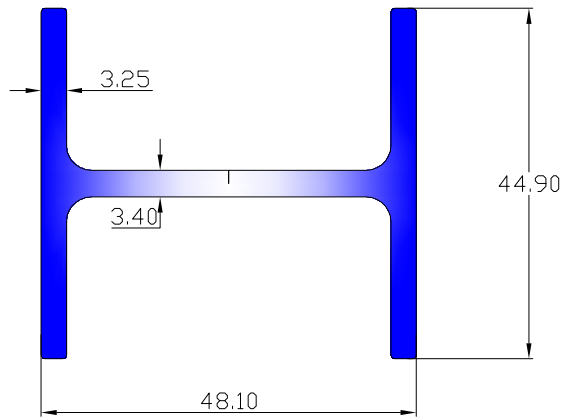


PARAGON ALUMINIUM L.L.P

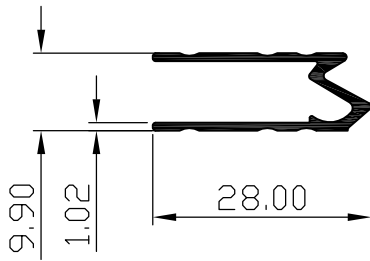
| SECTION. NO | WT.Kgs/Mtr |
|-------------|------------|
| 671 | 0.699 |
| | |



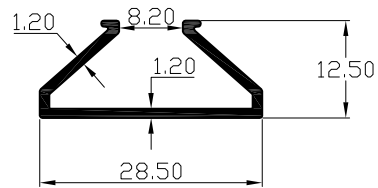
| SECTION. NO | WT.Kgs/Mtr |
|-------------|------------|
| 672 | 1.190 |
| | |



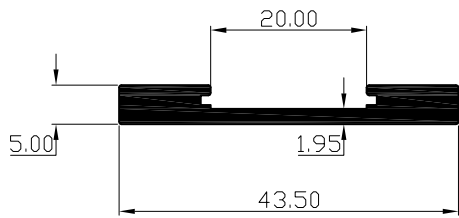
| SECTION. NO | WT.Kgs/Mtr |
|-------------|------------|
| 674 | 0.178 |
| | |



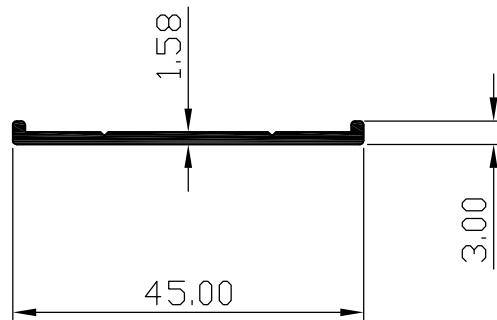
| SECTION. NO | WT.Kgs/Mtr |
|-------------|------------|
| 675 | 0.196 |
| | |



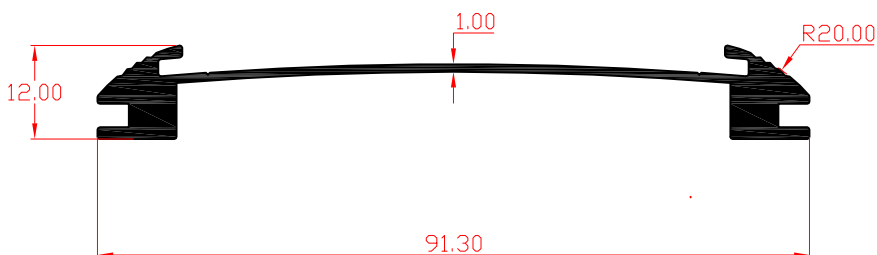
| SECTION. NO | WT.Kgs/Mtr |
|-------------|------------|
| 676 | 0.413 |
| | |



| SECTION. NO | WT.Kgs/Mtr |
|-------------|------------|
| 677 | 0.200 |
| | |



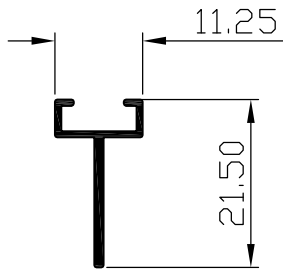
| SECTION. NO | WT.Kgs/Mtr |
|-------------|------------|
| 678 | 0.616 |
| | |



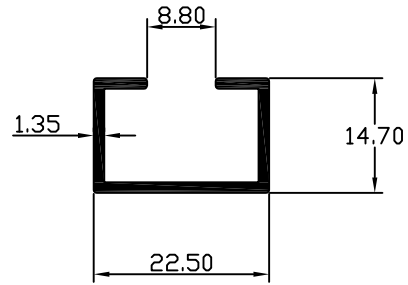
| SECTION. NO | WT.Kgs/Mtr |
|-------------|------------|
| | |
| | |

PARAGON ALUMINIUM L.L.P

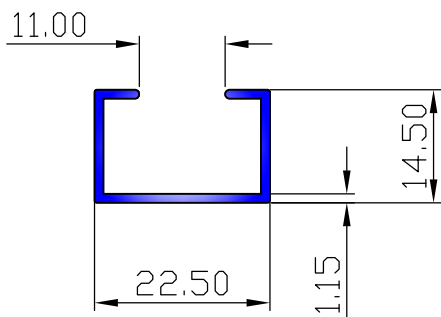
| SECTION. NO | WT.Kgs/Mtr |
|-------------|------------|
| 679 | 0.102 |
| | |



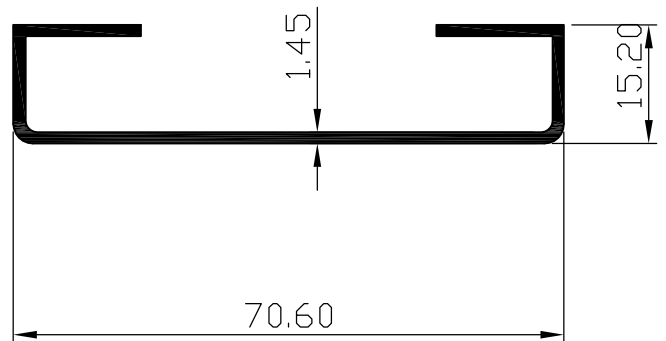
| SECTION. NO | WT.Kgs/Mtr |
|-------------|------------|
| 680 | 0.218 |
| | |



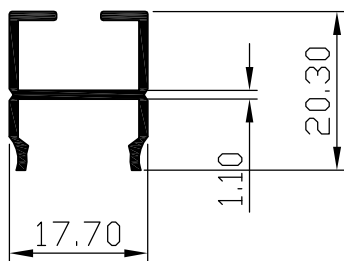
| SECTION. NO | WT.Kgs/Mtr |
|-------------|------------|
| 682/2 | 0.119 |
| | |



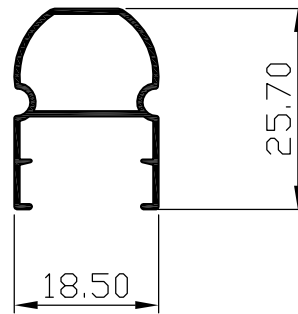
| SECTION. NO | WT.Kgs/Mtr |
|-------------|------------|
| 683 | 0.501 |
| | |



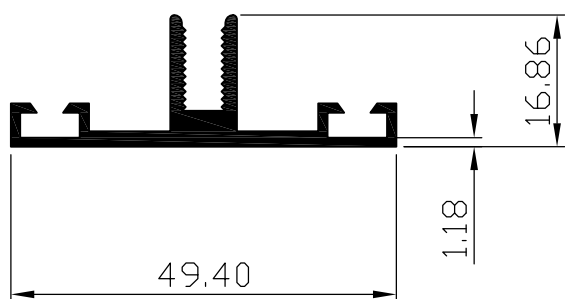
| SECTION. NO | WT.Kgs/Mtr |
|-------------|------------|
| 685/2 | 0.195 |
| | |



| SECTION. NO | WT.Kgs/Mtr |
|-------------|------------|
| 687 | 0.163 |
| | |



| SECTION. NO | WT.Kgs/Mtr |
|-------------|------------|
| 688 | 0.467 |
| | |



| SECTION. NO | WT.Kgs/Mtr |
|-------------|------------|
| 689 | 0.339 |
| | |

